

US00D727101S

(12) **United States Design Patent**
Oas

(10) **Patent No.:** **US D727,101 S**
(45) **Date of Patent:** **** Apr. 21, 2015**

(54) **PARTY SHOT GLASS**
(71) Applicant: **Daniel Oas**, Irwindale, CA (US)
(72) Inventor: **Daniel Oas**, Irwindale, CA (US)
(73) Assignee: **Calibre International, LLC**, Irwindale, CA (US)
(**) Term: **14 Years**
(21) Appl. No.: **29/478,440**

D262,680 S * 1/1982 Lack et al. D7/523
D262,765 S * 1/1982 Lack et al. D7/523
4,817,801 A * 4/1989 Schwaikert 206/519
D353,094 S * 12/1994 Labrie D9/500
D379,287 S * 5/1997 Carlson D7/602
D538,992 S * 3/2007 Snell D34/1
D572,168 S * 7/2008 Kurtz D11/152
D590,564 S * 4/2009 Dretzka D34/1
D612,688 S * 3/2010 Bardolet D7/523
D685,263 S * 7/2013 Danenberg D9/428
D695,110 S * 12/2013 Houlton et al. D9/428
D698,649 S * 2/2014 Quint D9/500
D715,649 S * 10/2014 O'Brien D9/500

(22) Filed: **Jan. 5, 2014**
(51) **LOC (10) Cl.** **07-01**
(52) **U.S. Cl.**
USPC **D7/523**
(58) **Field of Classification Search**
USPC D7/300, 500, 509, 523, 532, 558, 560,
D7/562, 565, 602, 608, 619.1, 630, 637,
D7/640; D9/500, 502; D26/9; 206/519;
220/4.26, 612, 648, 656, 669, 675;
229/400, 406
See application file for complete search history.

FOREIGN PATENT DOCUMENTS

JP 1396248 * 9/2010
* cited by examiner

Primary Examiner — Susan Bennett Hattan
Assistant Examiner — Leanne Was
(74) *Attorney, Agent, or Firm* — Thomas I. Rozsa

(57) **CLAIM**
The ornamental design for a party shot glass, as shown and described.

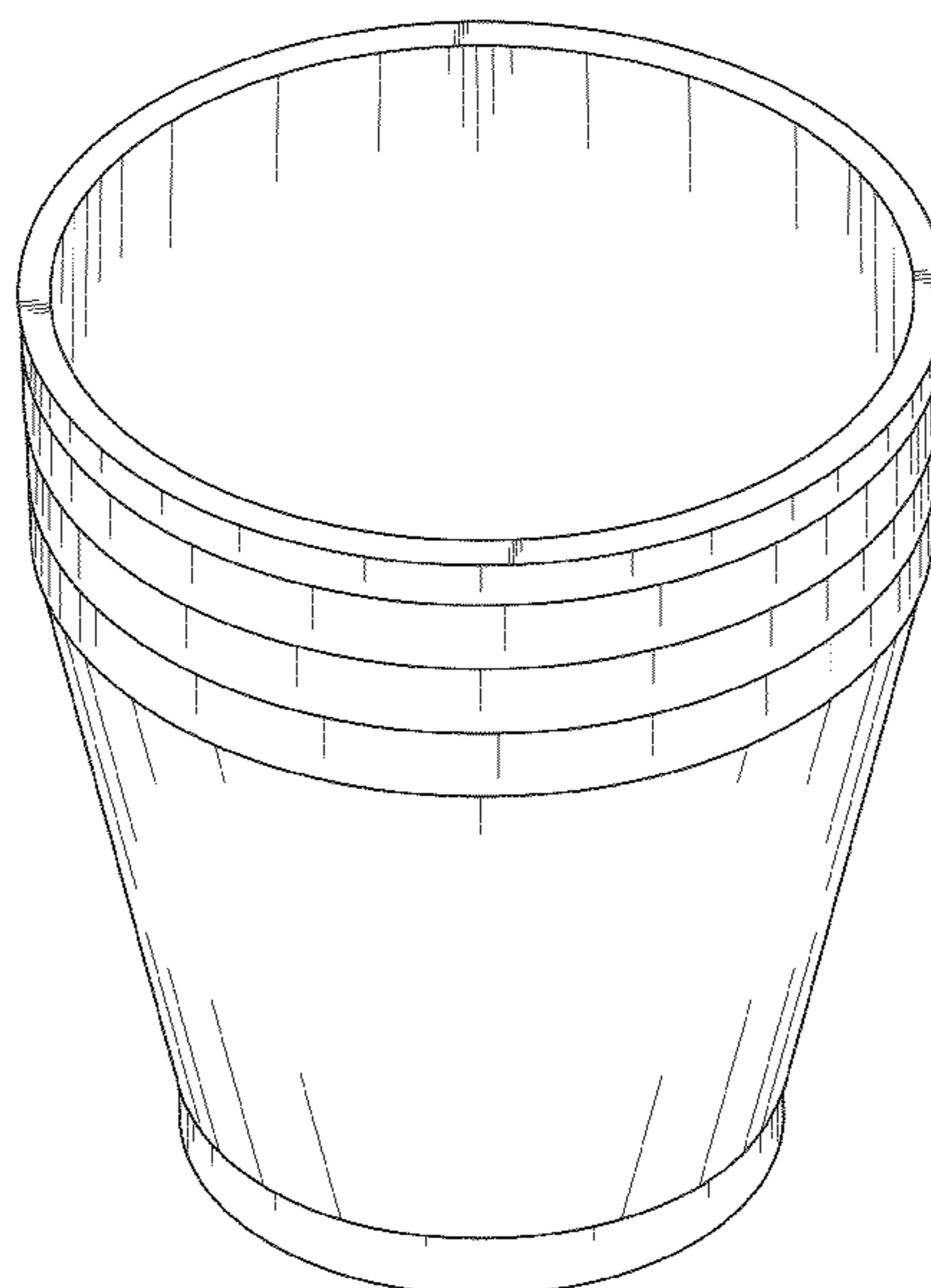
(56) **References Cited**
U.S. PATENT DOCUMENTS

D113,511 S * 2/1939 Heller D7/565
2,737,332 A * 3/1956 Amberg et al. 229/400
D209,306 S * 11/1967 Schilling D7/523
D209,307 S * 11/1967 Schillings D7/523
D209,311 S * 11/1967 Schilling D7/523
D209,312 S * 11/1967 Schilling D7/523
D221,625 S * 8/1971 Kinney D9/428
3,754,699 A * 8/1973 Moore 229/400
D241,057 S * 8/1976 Hartman D11/152
RE29,320 E * 7/1977 Kalata et al. 206/519
4,096,947 A * 6/1978 Morse 206/519
D258,338 S * 2/1981 Gersin D7/584

DESCRIPTION

FIG. 1 is a front side perspective view of a party shot glass, showing my new design;
FIG. 2 is a rear perspective view thereof;
FIG. 3 is a front elevational view thereof;
FIG. 4 is a rear elevational view thereof;
FIG. 5 is a top plan view thereof;
FIG. 6 is a bottom plan view thereof;
FIG. 7 is a left side elevational view thereof; and,
FIG. 8 is a right side elevational view thereof.

1 Claim, 8 Drawing Sheets



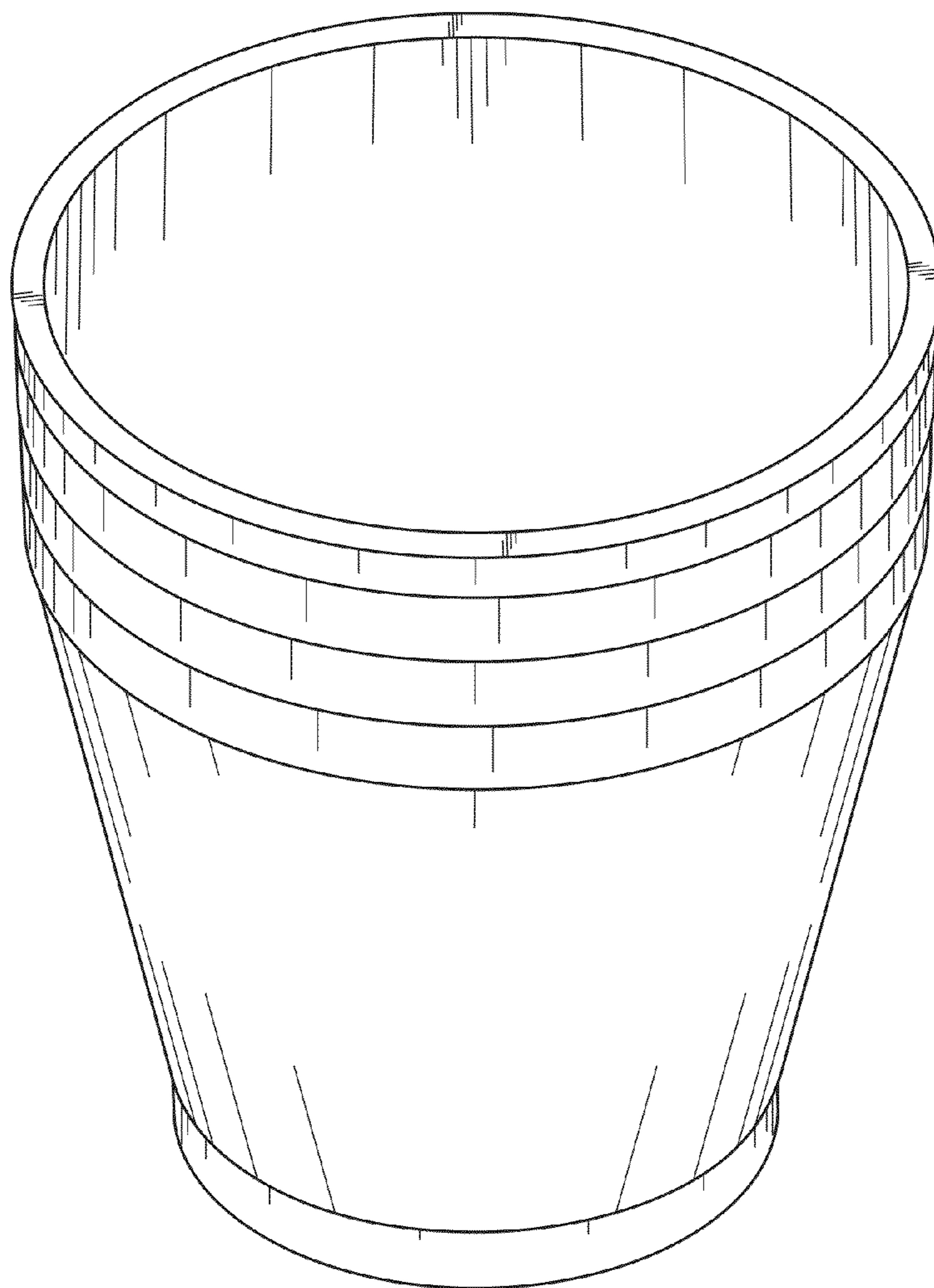


FIG. 1

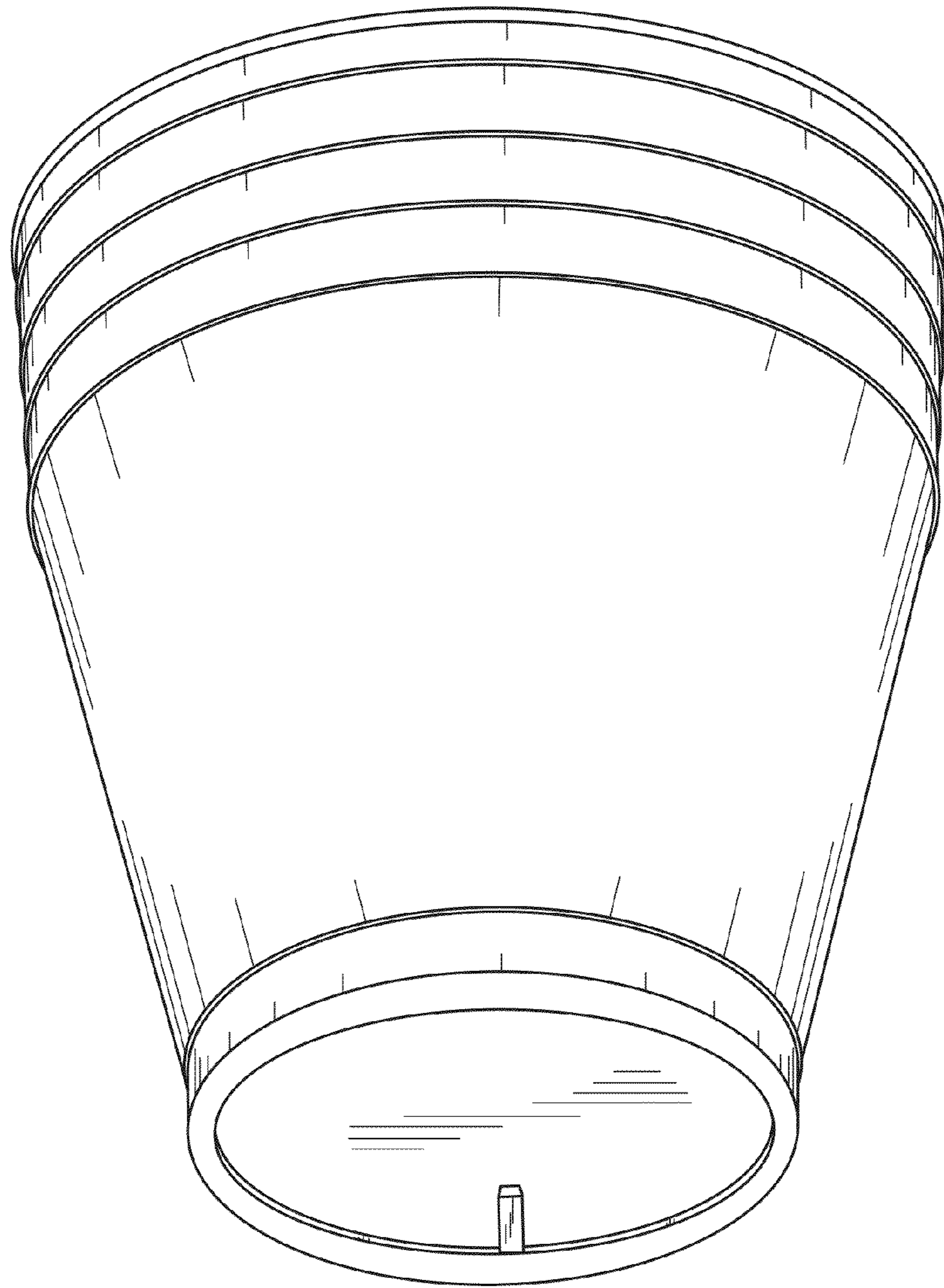


FIG. 2

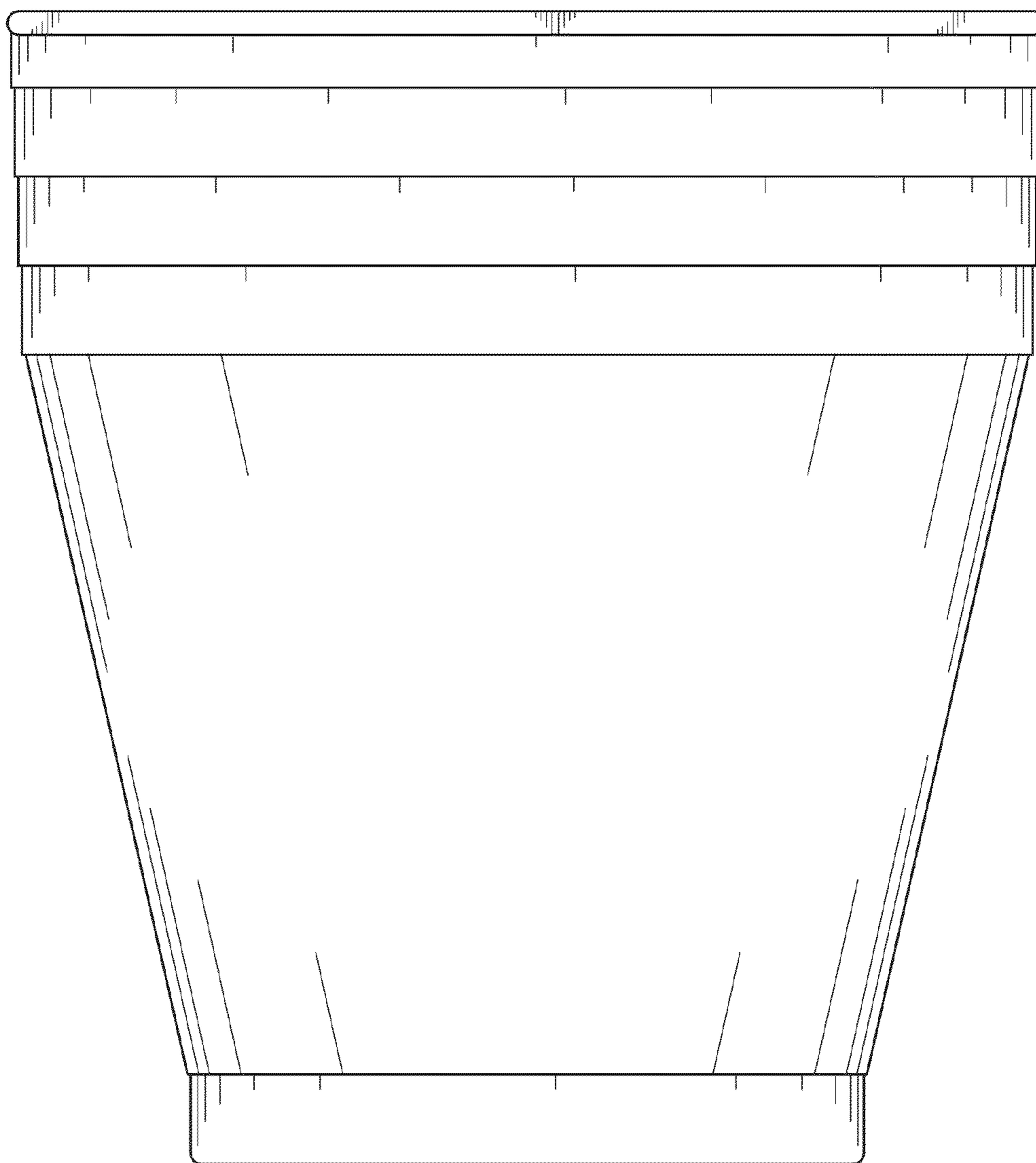


FIG. 3

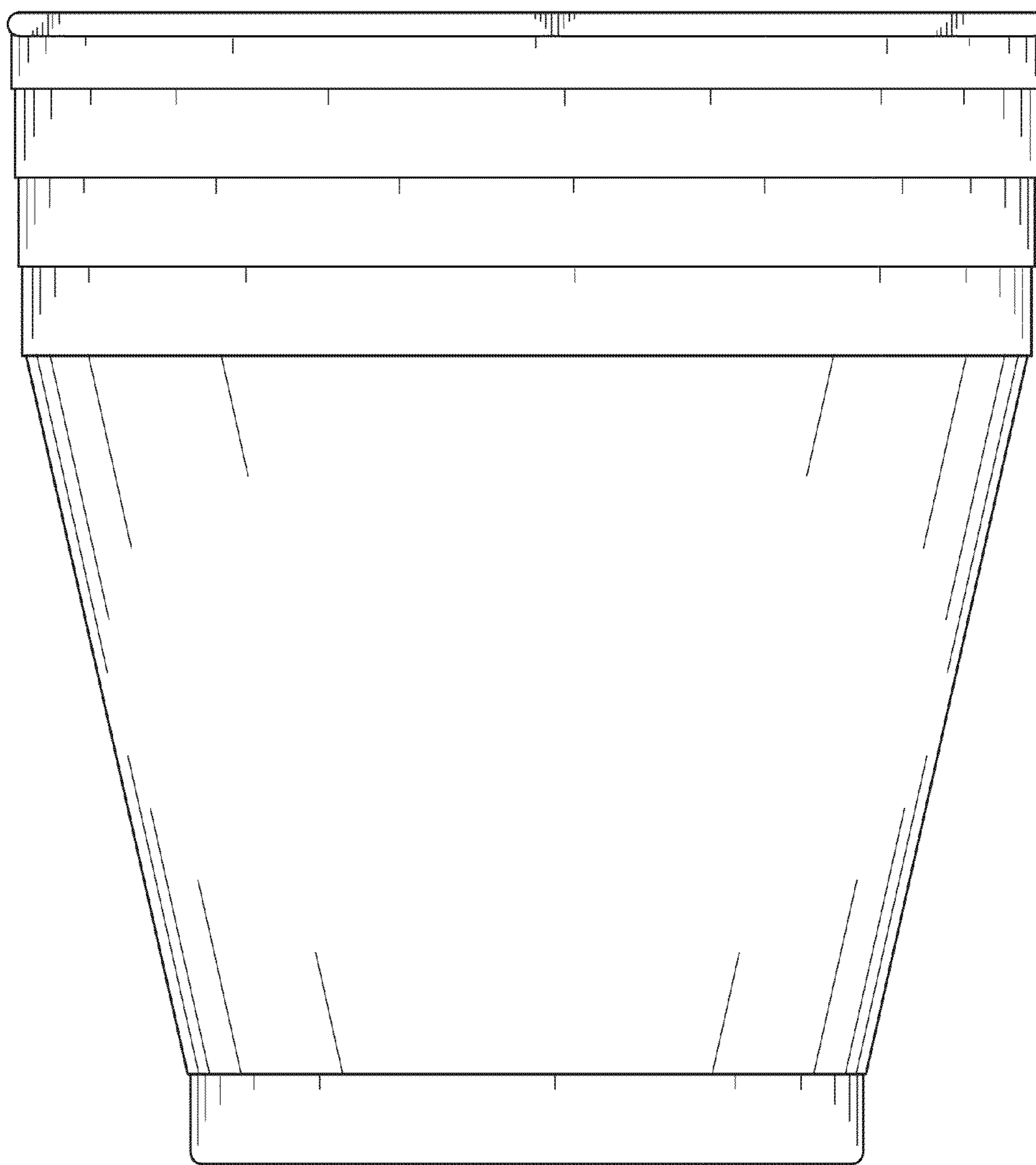


FIG. 4

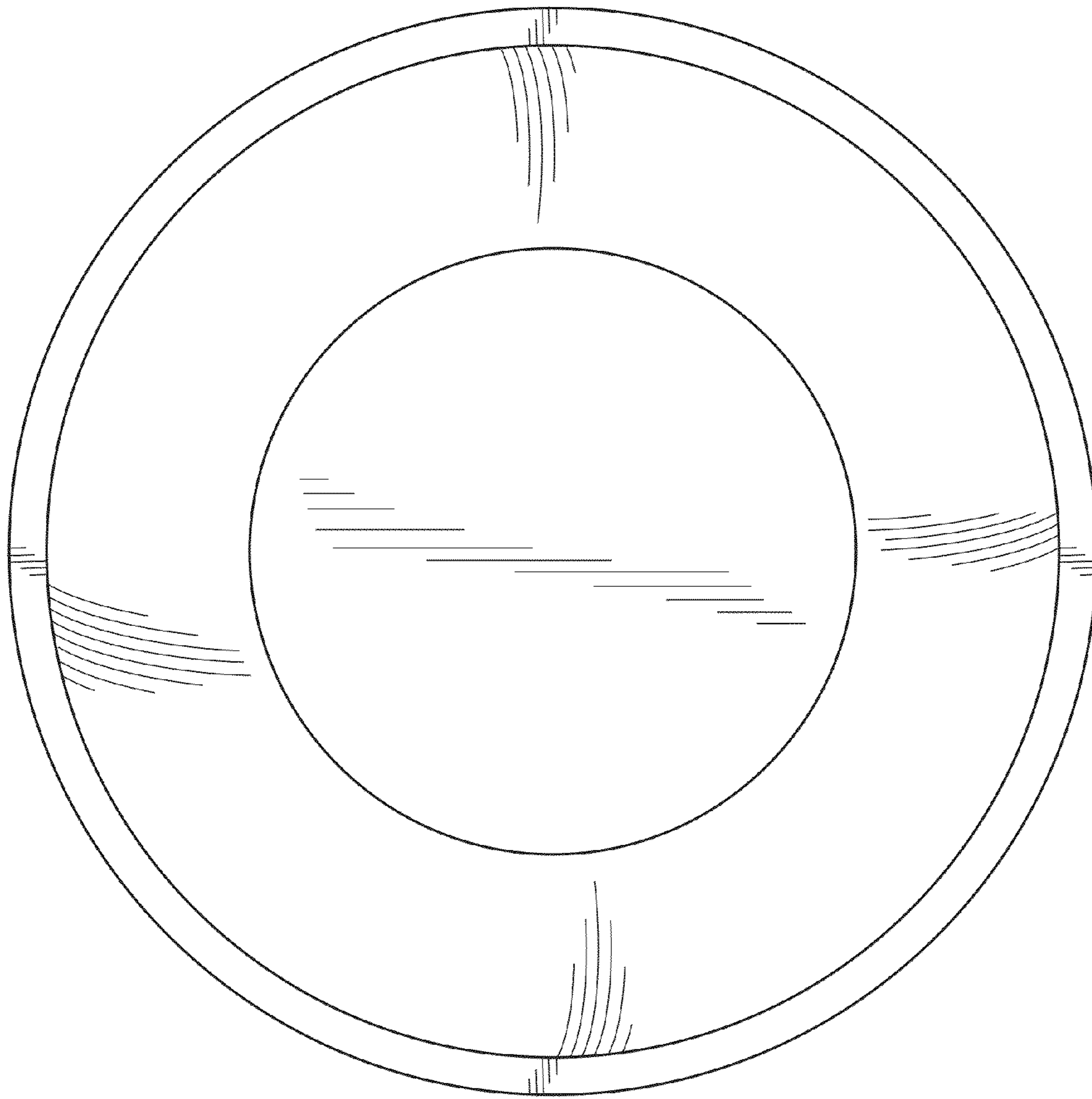


FIG. 5

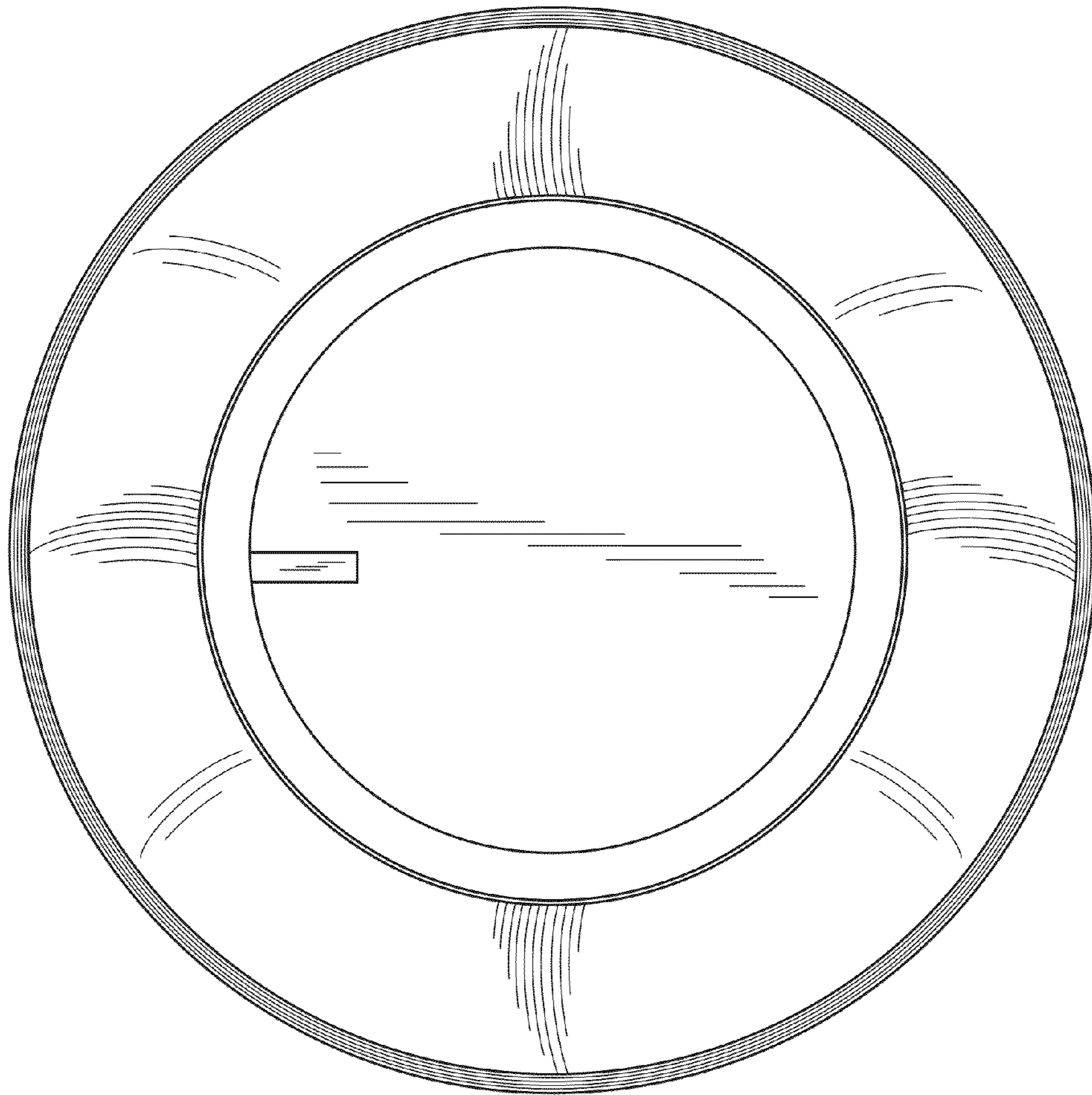


FIG. 6

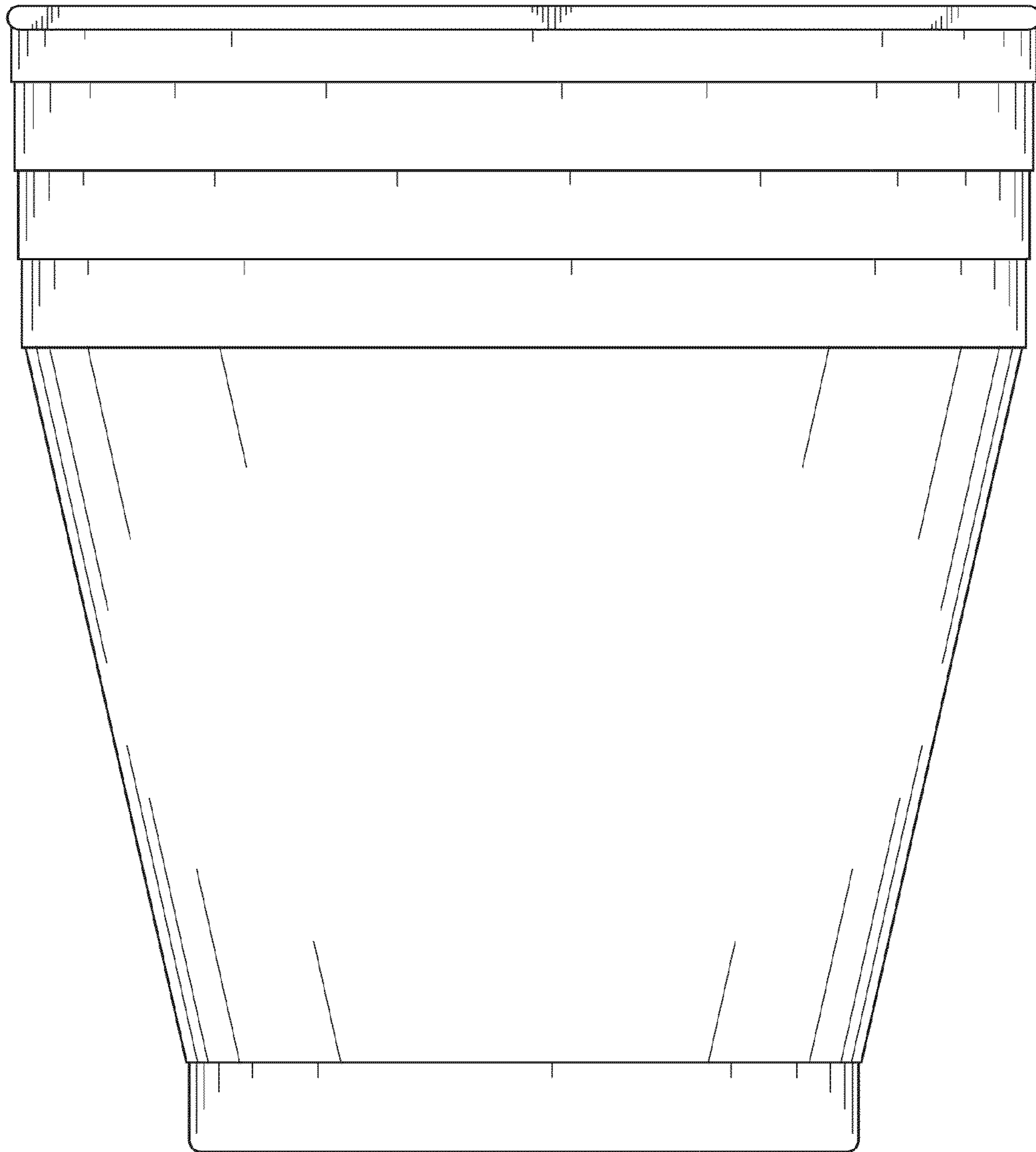


FIG. 7

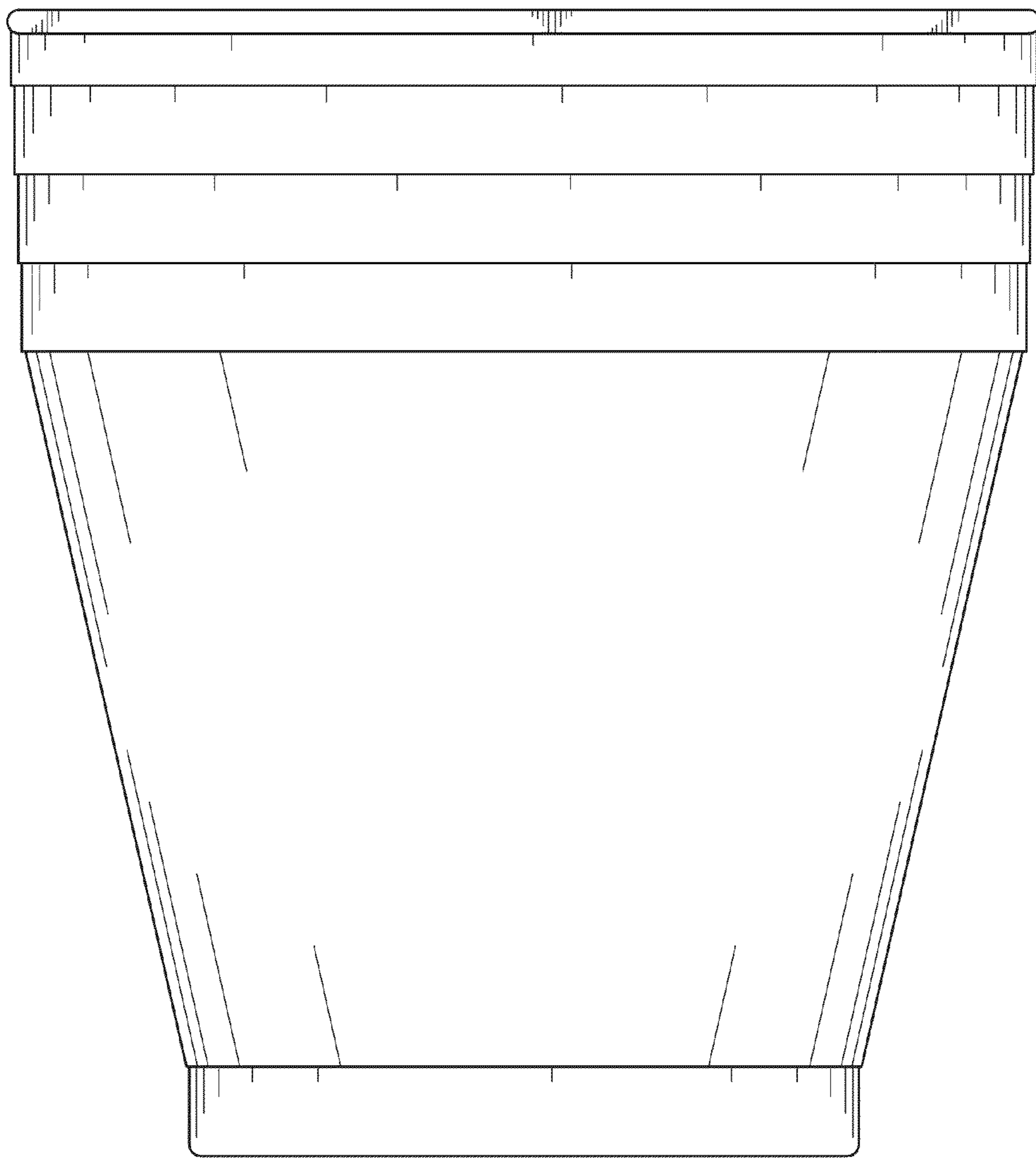


FIG. 8