

US00D727098S

(12) **United States Design Patent**
Saxton et al.

(10) **Patent No.:** **US D727,098 S**
(45) **Date of Patent:** **** Apr. 21, 2015**

(54) **CONTAINER**

(71) Applicant: **Munchkin, Inc.**, Van Nuys, CA (US)

(72) Inventors: **Matthew Joseph Saxton**, Agoura, CA (US); **Jonathan L. Black**, Provo, UT (US)

(73) Assignee: **Munchkin, Inc.**, Van Nuys, CA (US)

(**) Term: **14 Years**

(21) Appl. No.: **29/458,691**

(22) Filed: **Jun. 21, 2013**

(51) **LOC (10) Cl.** **07-01**

(52) **U.S. Cl.**

USPC **D7/509**

(58) **Field of Classification Search**

USPC D7/318, 319, 320, 392-395, 396.2, 509, D7/510, 511, 524, 533, 534, 535, 619.1, D7/622, 623; D9/434, 443, 527, 531, 533; D24/197, 198, 199; 99/459; 215/11.1-11.6, 386, 387, 395, 396; 220/212.5, 703, 710.5, 714, 717, 719; 264/328.1

See application file for complete search history.

(56) **References Cited**

U.S. PATENT DOCUMENTS

D329,355 S	9/1992	Yagi	
D366,987 S	2/1996	Allegre	
D368,529 S	4/1996	Allegre	
D375,655 S	11/1996	King	
D454,642 S	3/2002	Hakim	
D462,449 S	* 9/2002	Morano D24/197
D464,434 S	* 10/2002	Morano D24/197
D476,849 S	7/2003	Randolph	

D513,932 S	1/2006	De Oliveira	
7,562,789 B2 *	7/2009	Randolph et al. 220/710.5
D616,706 S	6/2010	Bofinger et al.	
D642,866 S *	8/2011	Schofield et al. D7/510
D644,067 S	8/2011	Valderrama	
D652,248 S	1/2012	Valderrama	
8,256,641 B2 *	9/2012	Randolph et al. 220/710.5
D675,877 S *	2/2013	Thomas D7/534
D676,709 S *	2/2013	Thomas D7/534
D683,589 S *	6/2013	Itzek et al. D7/510
D688,099 S *	8/2013	Hsu D7/534
D698,600 S *	2/2014	Aslan D7/393
2005/0098567 A1 *	5/2005	Randolph 220/710.5
2009/0255931 A1 *	10/2009	Randolph et al. 220/212.5
2012/0298679 A1 *	11/2012	Randolph et al. 220/713
2014/0103041 A1 *	4/2014	Randolph et al. 220/212.5

* cited by examiner

Primary Examiner — Susan Bennett Hattan

Assistant Examiner — Leanne Was

(74) *Attorney, Agent, or Firm* — Wade C. Yamazaki; Robert Z. Evora, Esq.

(57) **CLAIM**

The ornamental design for a container, as shown and described.

DESCRIPTION

FIG. 1 is an upper front perspective view of a container of our new design;

FIG. 2 is a lower front perspective view thereof;

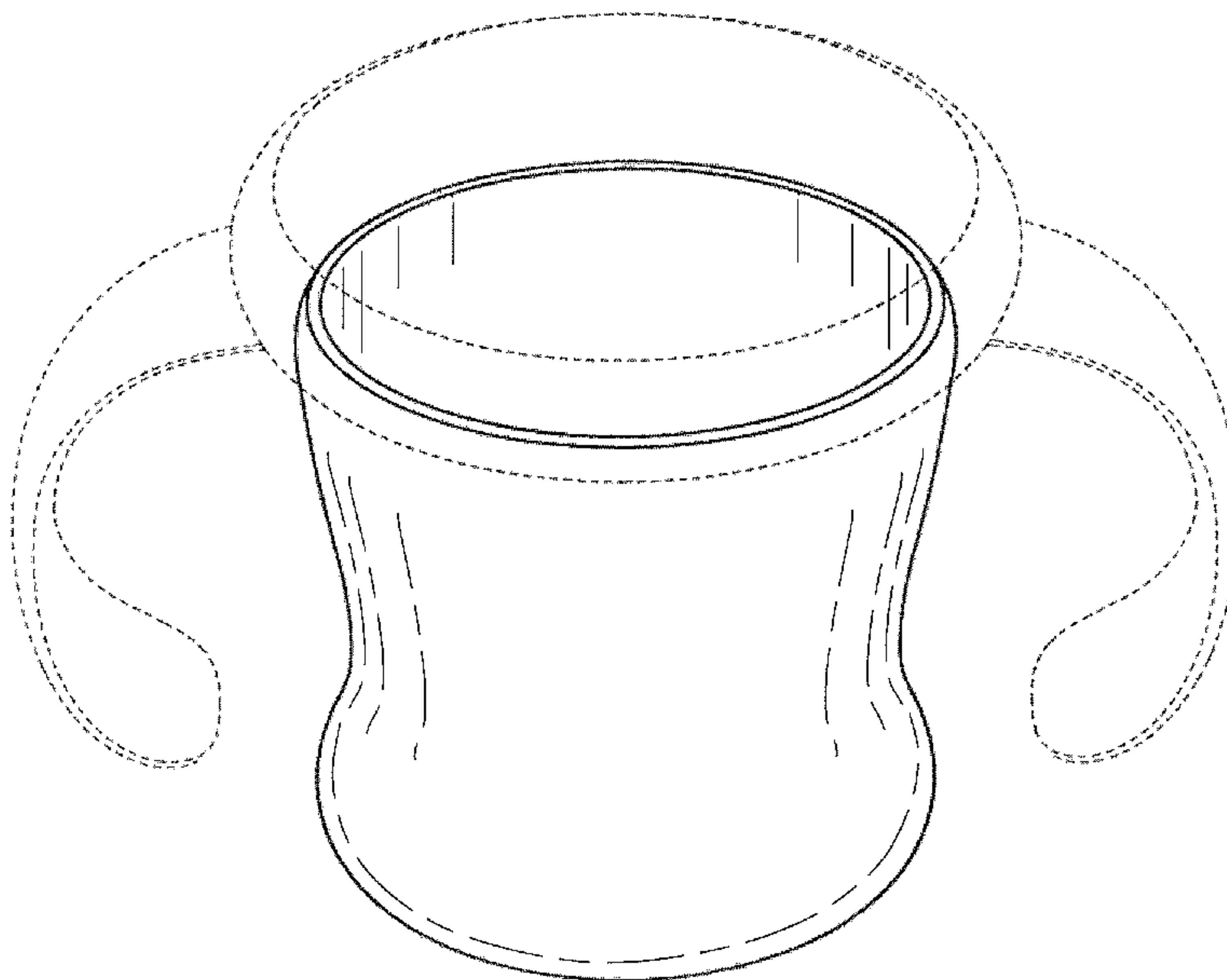
FIG. 3 is a front view thereof, the side view being the same image as the front view;

FIG. 4 is a top view thereof; and,

FIG. 5 is a bottom view thereof.

The broken lines shown in the drawings represent environmental structure in FIGS. 1-5 that form no part of the claimed design.

1 Claim, 5 Drawing Sheets



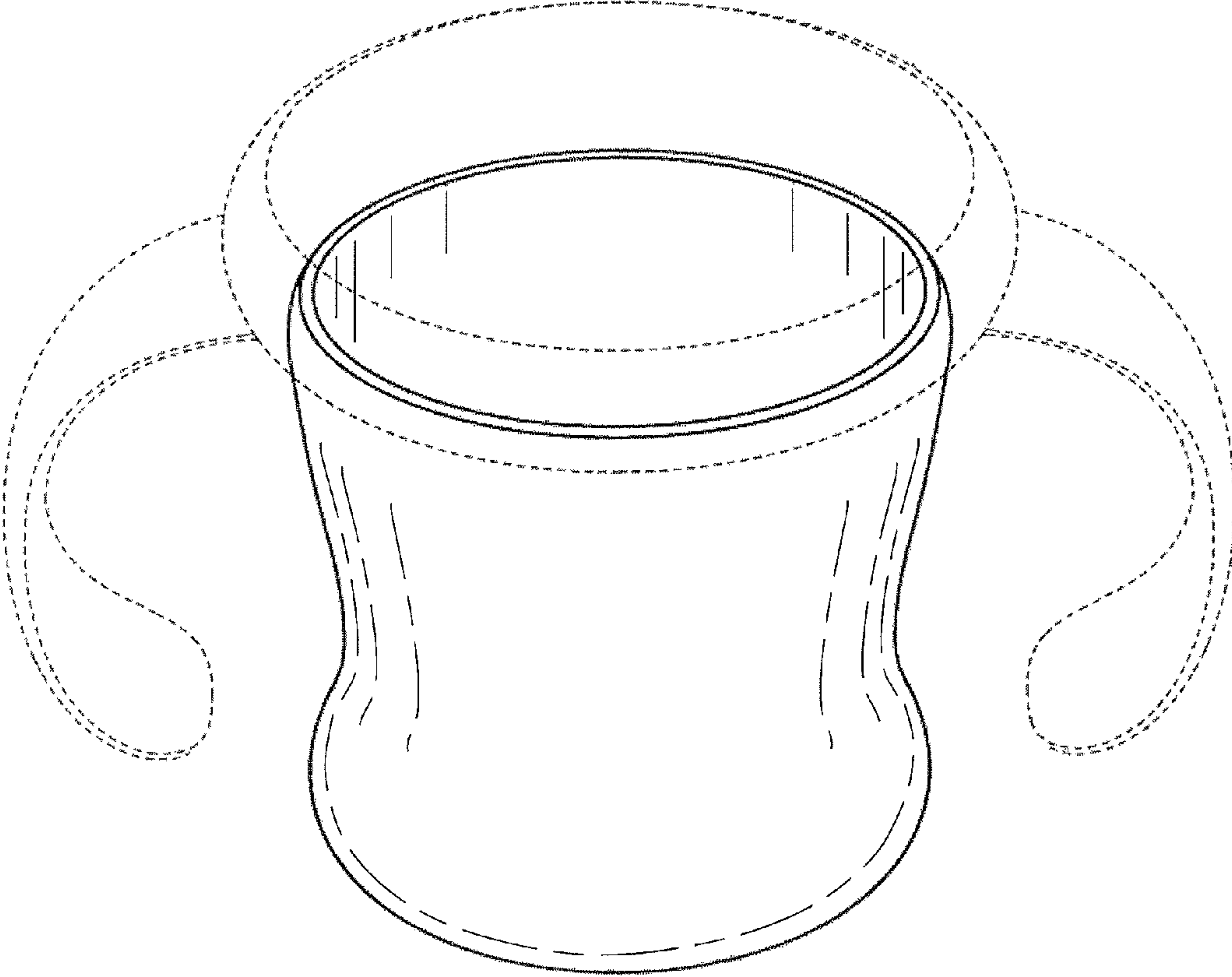


FIG. 1

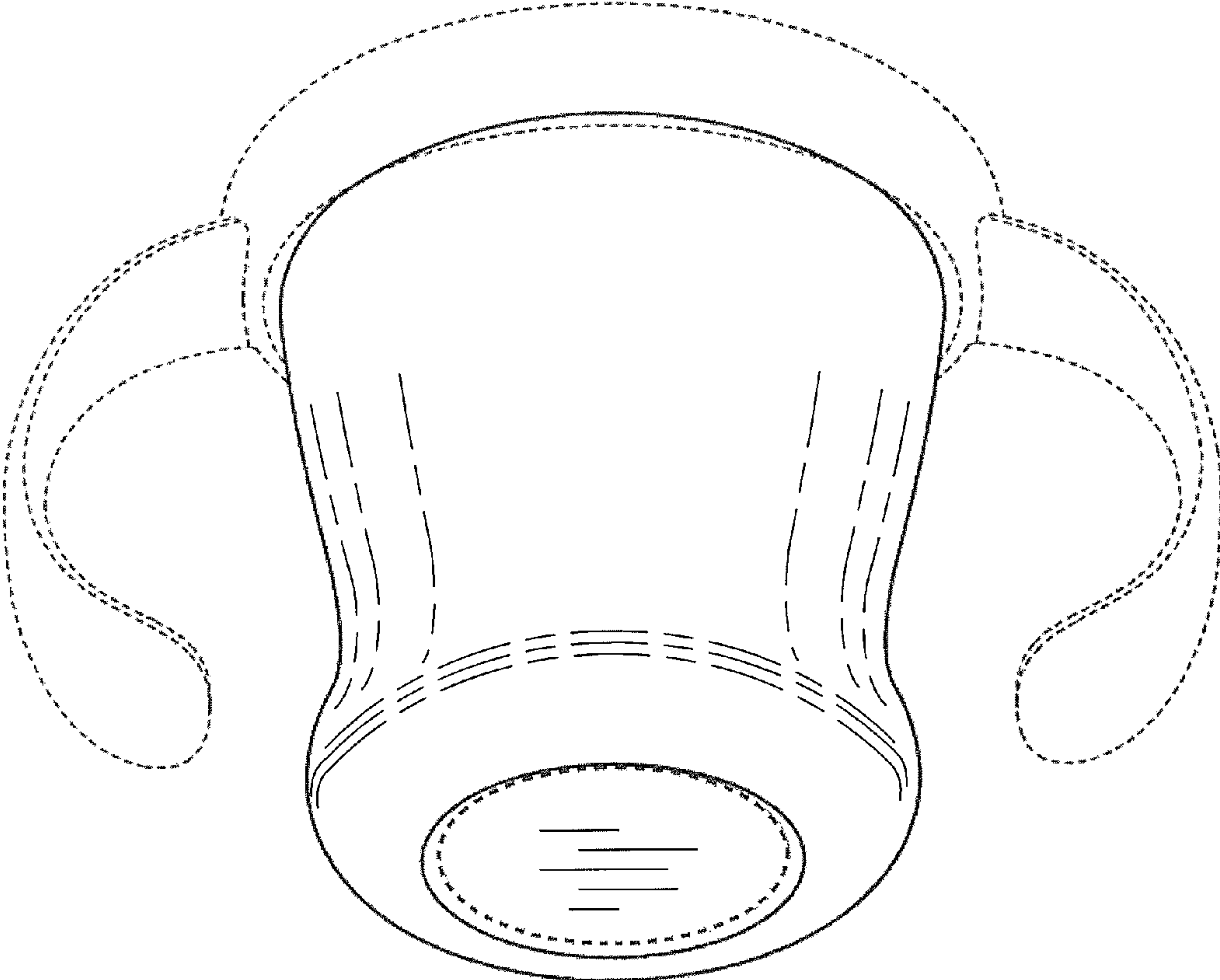


FIG. 2

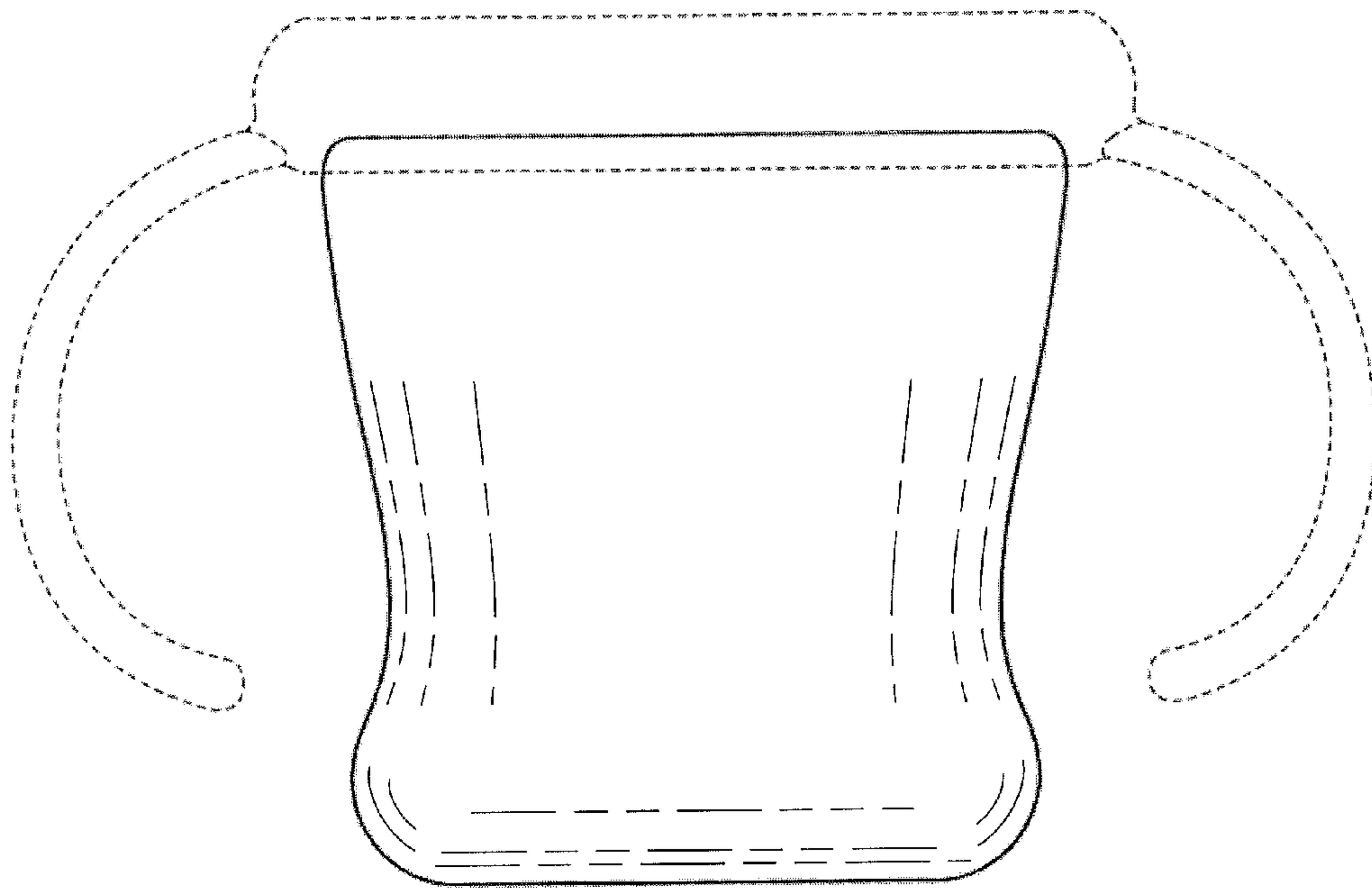


FIG. 3

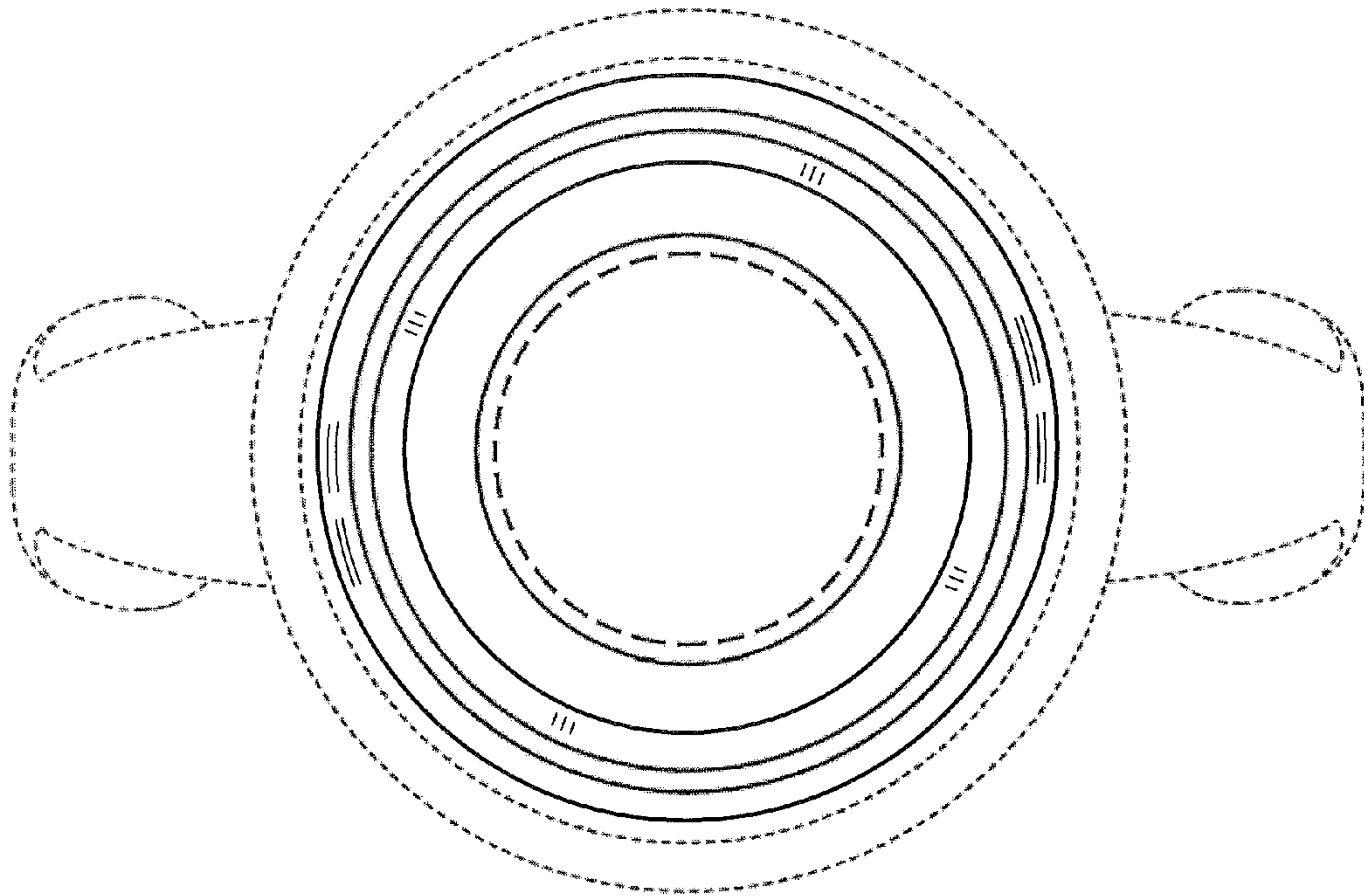


FIG. 4

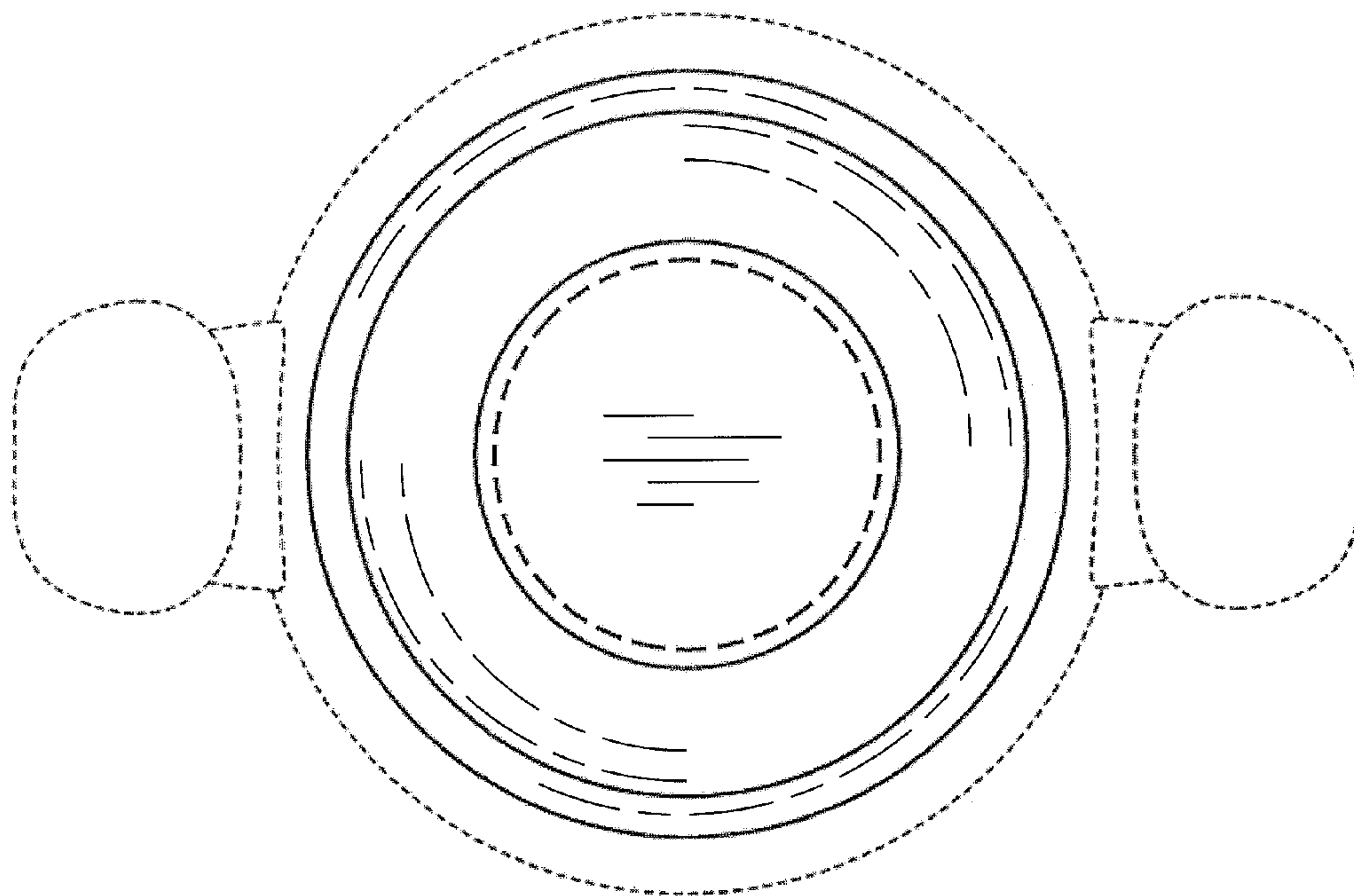


FIG. 5