



US00D727097S

(12) **United States Design Patent**  
**Sorensen et al.**

(10) **Patent No.:** **US D727,097 S**  
(45) **Date of Patent:** **\*\* Apr. 21, 2015**

(54) **CONTAINER SYSTEM**

(71) Applicant: **Runway Blue, LLC**, Pleasant Grove, UT (US)

(72) Inventors: **Steven M. Sorensen**, Alpine, UT (US);  
**David O. Meyers**, Kaysville, UT (US);  
**Kim L. Sorensen**, Alpine, UT (US)

(73) Assignee: **Runway Blue, LLC**, Lehi, UT (US)

(\*\*) Term: **14 Years**

(21) Appl. No.: **29/465,995**

(22) Filed: **Sep. 3, 2013**

(51) **LOC (10) Cl.** ..... **07-01**

(52) **U.S. Cl.**  
USPC ..... **D7/505**

(58) **Field of Classification Search**  
USPC ..... D7/300, 300.1, 302, 305, 314, 376, 505,  
D7/507, 509, 523, 543, 545, 546, 549, 560,  
D7/589, 601, 602, 608, 612-615, 619.1,  
D7/629, 632; D9/428, 429-432, 436, 447,  
D9/500, 502, 516, 530, 533, 536, 537, 539,  
D9/542, 543, 547, 553, 571, 574; D10/46,  
D10/46.2, 46.3; D11/152; D24/197, 224;  
206/459.1, 519, 520; 215/240,  
215/381-385; 220/23.88, 660, 662, 669,  
220/780-806

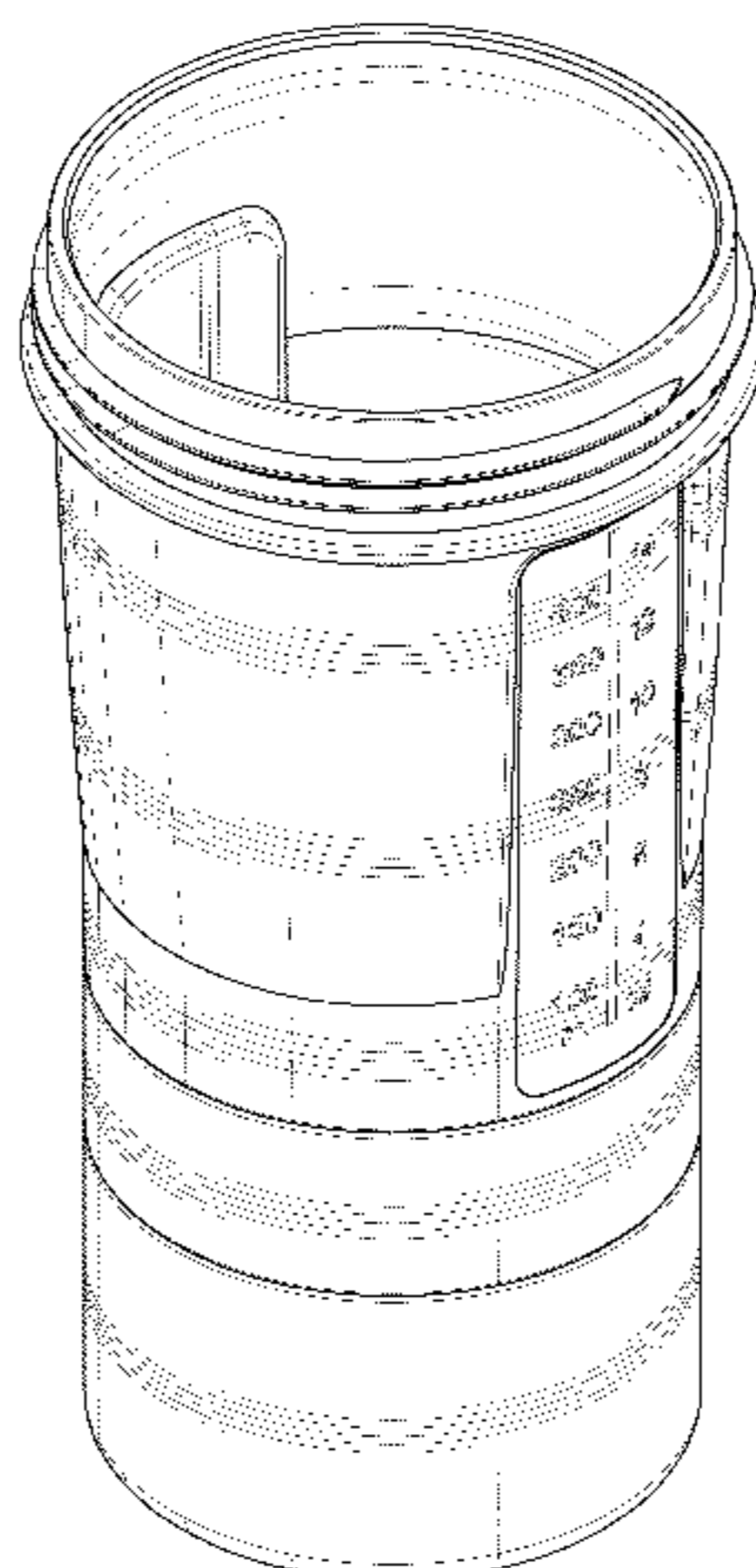
See application file for complete search history.

2,748,997 A	6/1956	Richmond, Sr.	
2,752,971 A	7/1956	Tupper	
2,754,866 A	7/1956	Coltman	
3,022,925 A	2/1962	Daniell	
3,091,361 A	5/1963	Gawron	
3,143,205 A	8/1964	Ruderian	
3,144,016 A	8/1964	Basci	
3,168,226 A	2/1965	Underwood	
3,369,691 A	2/1968	Wei	
3,552,548 A	1/1971	Wallestad et al.	
3,770,160 A	11/1973	Flider	
3,820,692 A	6/1974	Swett et al.	
D233,116 S	10/1974	Swett et al.	
4,022,352 A	5/1977	Pehr	
4,136,799 A	1/1979	Albert	
4,158,902 A	6/1979	Chernack et al.	
D261,088 S	10/1981	Akimov et al.	
4,399,926 A	8/1983	Eidels-Dubovoy	
D273,167 S *	3/1984	Carlson	D7/612
4,457,458 A	7/1984	Heinol	
4,474,303 A	10/1984	Maccise	
4,519,518 A	5/1985	Wiles et al.	
D280,281 S *	8/1985	Conti et al.	D7/602
4,537,044 A	8/1985	Putnam	
D282,896 S *	3/1986	Conti et al.	D7/629
D282,897 S *	3/1986	Conti et al.	D7/602
4,735,333 A	4/1988	Lay et al.	
4,776,501 A	10/1988	Ostrowsky	
4,805,790 A	2/1989	Leonetti et al.	
4,932,225 A	6/1990	Bighouse	
5,065,877 A	11/1991	Karppinen et al.	
5,065,911 A	11/1991	Rohr et al.	
5,088,614 A	2/1992	Dumestre	
D330,862 S	11/1992	Shibley et al.	
5,228,584 A	7/1993	Williams, Jr.	
D342,898 S	1/1994	Cane	
5,289,930 A	3/1994	Inouye	
D350,460 S	9/1994	Picozza et al.	
D354,198 S *	1/1995	Chiang et al.	D7/510
5,386,922 A	2/1995	Jordan	
D356,499 S	3/1995	Cautereels et al.	
5,547,111 A	8/1996	Geiger et al.	
5,609,277 A	3/1997	McDonald	
D382,968 S	8/1997	Giles et al.	
D399,099 S *	10/1998	Cousins	D7/615
D404,305 S	1/1999	De Baschmakoff	
D405,654 S	2/1999	Moran	
D406,349 S *	3/1999	Hammond	D24/197
5,896,990 A	4/1999	Barzana	
D421,547 S	3/2000	Demers	
D433,337 S	11/2000	Cautereels	
6,161,713 A	12/2000	Krich	
6,283,333 B1	9/2001	Knickerbocker et al.	

(56) **References Cited**

U.S. PATENT DOCUMENTS

1,094,469 A	4/1914	Pick
1,389,732 A	9/1921	Baron
1,479,053 A	1/1924	Brooks
1,573,620 A	2/1926	Allston
2,056,879 A	10/1936	Winterhalter et al.
2,272,867 A	2/1942	Cobel
2,514,573 A	7/1950	Harrison
2,573,378 A	10/1951	Zurlinden
2,574,876 A	11/1951	Lebus
2,575,299 A	11/1951	Scheel
2,638,253 A	5/1953	Mueller



6,299,005 B1 10/2001 Higgins  
 6,379,032 B1 4/2002 Sorensen  
 D458,081 S 6/2002 Bodum  
 D461,420 S 8/2002 Kerman  
 D471,064 S \* 3/2003 Renz ..... D7/523  
 D497,431 S 10/2004 Bentley  
 6,832,412 B2 12/2004 Kim  
 6,860,397 B1 3/2005 Walters, Jr.  
 D504,273 S 4/2005 Ancona  
 D508,185 S 8/2005 Gauss  
 D508,187 S \* 8/2005 Dais et al. .... D7/602  
 D510,235 S 10/2005 Sorensen  
 D518,336 S 4/2006 Hirani  
 7,073,678 B1 7/2006 Dibdin et al.  
 D526,827 S 8/2006 Allen et al.  
 D528,862 S 9/2006 Li  
 D529,339 S 10/2006 Carreno et al.  
 D532,312 S 11/2006 Conway et al.  
 D532,650 S 11/2006 de Groot  
 D543,454 S 5/2007 Leoncavallo et al.  
 D546,131 S 7/2007 Morales  
 D547,607 S 7/2007 Forsman  
 D565,353 S 4/2008 Roth et al.  
 D574,190 S 8/2008 Homma  
 D580,227 S 11/2008 Roth et al.  
 D584,569 S \* 1/2009 Buchman et al. .... D7/602  
 D584,925 S 1/2009 Buchman et al.  
 D586,184 S 2/2009 Miller et al.  
 D587,069 S 2/2009 Bodum  
 D589,751 S 4/2009 Liu et al.  
 D592,913 S 5/2009 Pinelli et al.  
 7,533,783 B2 5/2009 Choi et al.  
 D593,811 S 6/2009 Carreno  
 D599,664 S 9/2009 Fujinami et al.  
 D602,369 S 10/2009 Potts et al.  
 D604,103 S 11/2009 Alviar et al.  
 D609,970 S 2/2010 Richau et al.  
 D613,110 S 4/2010 Lane et al.  
 D622,089 S 8/2010 Daniel et al.  
 D622,554 S 8/2010 Carreno  
 7,806,284 B2 10/2010 Mangano  
 D626,837 S 11/2010 Meyers et al.  
 D626,838 S 11/2010 Meyers et al.  
 D628,483 S 12/2010 McKinney et al.  
 D629,657 S 12/2010 Carreno  
 7,870,980 B2 1/2011 Wilson et al.  
 D641,594 S 7/2011 Huang  
 D644,065 S 8/2011 Llerena  
 8,020,257 B2 9/2011 Merten et al.  
 D646,546 S 10/2011 Robinson et al.  
 D646,919 S 10/2011 Nilsson  
 D647,760 S 11/2011 Pearson  
 D652,256 S 1/2012 Eyal  
 D655,131 S 3/2012 Nilsson  
 D655,967 S 3/2012 Bodum  
 D656,357 S 3/2012 Enghard  
 D661,551 S 6/2012 Gilbert  
 D666,047 S 8/2012 Lin  
 D666,061 S 8/2012 Ying  
 D667,694 S 9/2012 Meyers et al.  
 8,302,796 B1 11/2012 Johnson  
 D672,618 S 12/2012 Stamper et al.  
 8,342,349 B2 1/2013 Lu  
 D677,121 S 3/2013 Meyers et al.  
 D682,701 S 5/2013 Stephan et al.  
 D686,885 S 7/2013 Meyers et al.  
 D686,886 S 7/2013 Meyers et al.  
 D686,887 S 7/2013 Meyers et al.  
 D686,888 S 7/2013 Meyers et al.  
 D697,798 S 1/2014 Sorensen et al.  
 2002/0074334 A1 6/2002 Karp  
 2002/0130126 A1 9/2002 Rosenberg  
 2003/0085228 A1 5/2003 Oakes  
 2004/0217139 A1 11/2004 Roth et al.  
 2004/0262306 A1 12/2004 Smith  
 2005/0045634 A1 3/2005 Ward et al.  
 2005/0045636 A1 3/2005 Lown et al.  
 2007/0012693 A1 1/2007 Kummer  
 2007/0175931 A1 8/2007 Leoncavallo et al.

2008/0099514 A1 5/2008 Carter et al.  
 2009/0178940 A1 7/2009 Said  
 2009/0188884 A1 7/2009 Nelson et al.  
 2009/0188933 A1 7/2009 Daams  
 2009/0301990 A1 12/2009 Cresswell et al.  
 2010/0200438 A1 8/2010 Davies  
 2010/0206835 A1 8/2010 Yu  
 2010/0224631 A1 9/2010 Roth et al.  
 2010/0282703 A1 11/2010 Yang  
 2011/0017753 A1\* 1/2011 Lewis et al. .... 220/669  
 2011/0017760 A1 1/2011 Newman  
 2011/0253733 A1 10/2011 Meyers et al.  
 2013/0062304 A1\* 3/2013 Meyers et al. .... 215/240

FOREIGN PATENT DOCUMENTS

CN 201139196 10/2008  
 JP 2006103793 A 4/2004  
 JP 2008247404 10/2008

OTHER PUBLICATIONS

<http://web.archive.org/web/20121114234834/http://www.smartshake.com/about-us> Available Nov. 14, 2012.\*  
<https://www.youtube.com/watch?v=IKUC7KZ74Dg#t=10> Available Apr. 26, 2011.\*  
<https://www.youtube.com/watch?v=gDjNOp3TBNw> Available Mar. 28, 2012.\*  
<http://web.archive.org/web/20130803102407/http://active8canada.com/products/Spider-Bottle-2Go-%28700ml%29.html> Available Aug. 3, 2013.\*  
 Boelter Brands Protein Shaker Bottle, image extracted from [http://www.boelterbrandsproducts.com/2013SportsCatalog\\_Hydration.pdf](http://www.boelterbrandsproducts.com/2013SportsCatalog_Hydration.pdf) on Oct. 7, 2013.  
 SmartShake Jay Cutler Gold Edition Protein Shaker Bottle, image extracted from <http://www.smartshake.com/products/signature-series/jay-cutler-gold-edition/> on Oct. 7, 2013.  
 Response to Office Action mailed on Mar. 29, 2013 from U.S. Appl. No. 13/633,864, filed Sep. 30, 2013.  
 U.S. Appl. No. 12/762,292, filed Apr. 16, 2010, Meyers, et al.  
 U.S. Appl. No. 13/232,891, filed Sep. 14, 2011, Meyers, et al.  
 U.S. Appl. No. 13/232,935, filed Sep. 14, 2011, Meyers, et al.  
 U.S. Appl. No. 29/430,882, filed Aug. 30, 2012, Meyers, et al.  
 U.S. Appl. No. 29/431,544, filed Sep. 7, 2012, Meyers, et al.  
 U.S. Appl. No. 13/609,238, filed Sep. 10, 2012, Meyers, et al.  
 U.S. Appl. No. 13/610,445, filed Sep. 11, 2012, Meyers, et al.  
 U.S. Appl. No. 13/633,864, filed Oct. 2, 2012, Meyers, et al.  
 U.S. Appl. No. 29/457,097, filed Jun. 6, 2013, Sorensen, et al.  
 U.S. Appl. No. 29/457,096, filed Jun. 6, 2013, Sorensen, et al.  
 U.S. Appl. No. 61/832,085, filed Jun. 6, 2013, Sorensen, et al.  
 U.S. Appl. No. 61/873,334, filed Sep. 3, 2013, Sorensen, et al.  
 U.S. Appl. No. 29/465,996, filed Sep. 3, 2013, Sorensen, et al.  
 U.S. Appl. No. 29/465,998, filed Sep. 3, 2013, Sorensen, et al.  
 Kor One, <http://www.korwater.com/buyONE>, accessed Apr. 21, 2010.  
 Core 77, <http://www.core77.com/blog/materials/kor.sub.—one.sub.—water.sub.—vessel.sub.—actual.sub.—size.sub.—10211.asp>, accessed Apr. 21, 2010.  
 Koyono, <http://www.koyono.com/KOR-ONE-Green-Zen-Water-Hydration-Vessel.sub.—p/kor-one.htm>, accessed Apr. 21, 2010.  
 Fit Sugar, [www.fitsugar.com/2496788](http://www.fitsugar.com/2496788), accessed Apr. 21, 2010.  
 Thermos, <http://www.shopthermos.com/detail/TMS+HP4000GR6>, accessed Apr. 21, 2010.  
 Goodlifter, <http://www.goodlifter.com/2009/02/360-paper-water-bottle/>, accessed Apr. 21, 2010.  
 Notice of Allowance from U.S. Appl. No. 29/430,882 dated Aug. 5, 2013.  
 Advisory Action from U.S. Appl. No. 12/762,292 dated May 24, 2013.  
 Office Action from U.S. Appl. No. 12/762,292 dated Jul. 1, 2013.  
 Office Action from U.S. Appl. No. 12/762,292 dated Oct. 2, 2012.  
 Office Action from U.S. Appl. No. 12/762,292 dated Jul. 17, 2012.  
 Office Action from U.S. Appl. No. 12/762,292 dated Feb. 10, 2012.

Notice of Allowance from U.S. Appl. No. 29/431,544 dated Aug. 14, 2013.

Office Action from U.S. Appl. No. 29/431,544 dated Mar. 25, 2013.

Office Action from U.S. Appl. No. 13/610,445 dated Mar. 29, 2013.

Office Action from U.S. Appl. No. 13/633,864 dated Mar. 29, 2013.

Office Action from U.S. Appl. No. 13/232,891 dated Jul. 19, 2013.

Office Action from U.S. Appl. No. 13/609,238 dated May 30, 2013.

International Search Report from PCT Application No. PCT/US2011/026508 dated Sep. 29, 2011.

Written Opinion from PCT Application No. PCT/US2011/026508 dated Sep. 29, 2011.

International Preliminary Report on Patentability from PCT Application No. PCT/US2011/026508 dated Oct. 16, 2012.

International Search Report from PCT Application No. PCT/US2012/054483 dated Nov. 16, 2012.

International Search Report and Written Opinion from PCT Application No. PCT/US2012/054497 dated Nov. 20, 2012.

International Search Report and Written Opinion from PCT Application No. PCT/US2013/052132 dated Aug. 16, 2013.

\* cited by examiner

*Primary Examiner* — Susan Bennett Hattan

*Assistant Examiner* — Leanne Was

(74) *Attorney, Agent, or Firm* — Maschoff Brennan

(57)

**CLAIM**

The ornamental design for a container system, as shown and described.

**DESCRIPTION**

FIG. 1 is an upper perspective view of an embodiment of a container system, illustrating a container system with three exemplary containers;

FIG. 2 is a lower perspective view of the container system shown in FIG. 1;

FIG. 3 is a front view of the container system shown in FIG. 1;

FIG. 4 is a rear view of the container system shown in FIGS. 1;

FIG. 5 is a left side view of the container system shown in FIG. 1;

FIG. 6 is a right side view of the container system shown in FIG. 1;

FIG. 7 is a top view of the container system shown in FIG. 1;

FIG. 8 is a bottom view of the container system shown in FIG. 1;

FIG. 9 is an exploded, upper perspective view of the container system shown in FIG. 1;

FIG. 10 is an exploded, lower perspective view of the container system shown in FIG. 1;

FIG. 11 is an upper perspective view of another embodiment of a container system, illustrating a container system with three exemplary containers;

FIG. 12 is a lower perspective view of the container system shown in FIG. 11;

FIG. 13 is a front view of the container system shown in FIG. 11; FIG. 14 is a rear view of the container system shown in FIG. 11;

FIG. 15 is a left side view of the container system shown in FIG. 11;

FIG. 16 is a right side view of the container system shown in FIG. 11;

FIG. 17 is a top view of the container system shown in FIG. 11;

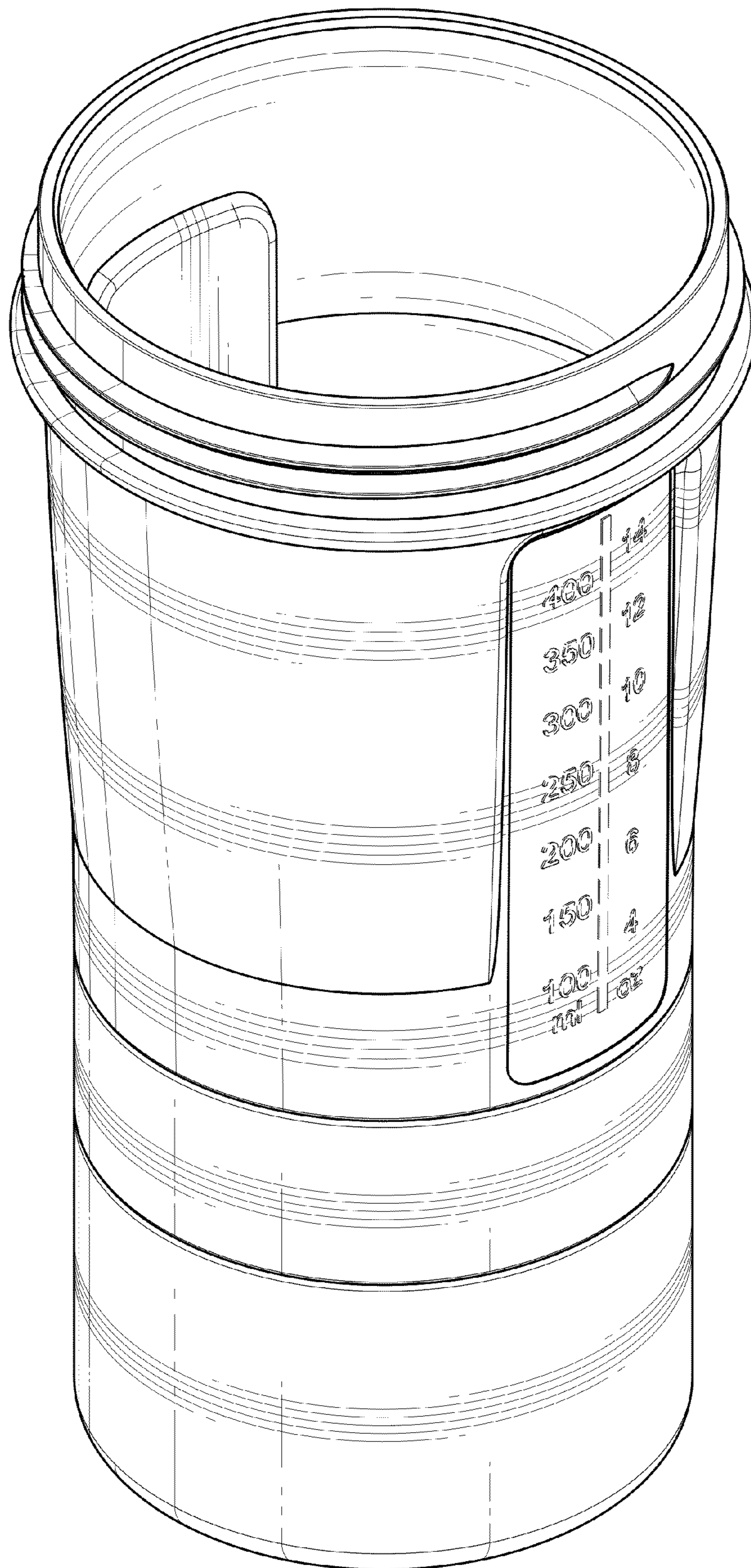
FIG. 18 is a bottom view of the container system shown in FIG. 11;

FIG. 19 is an exploded, upper perspective view of the container system shown in FIG. 11; and,

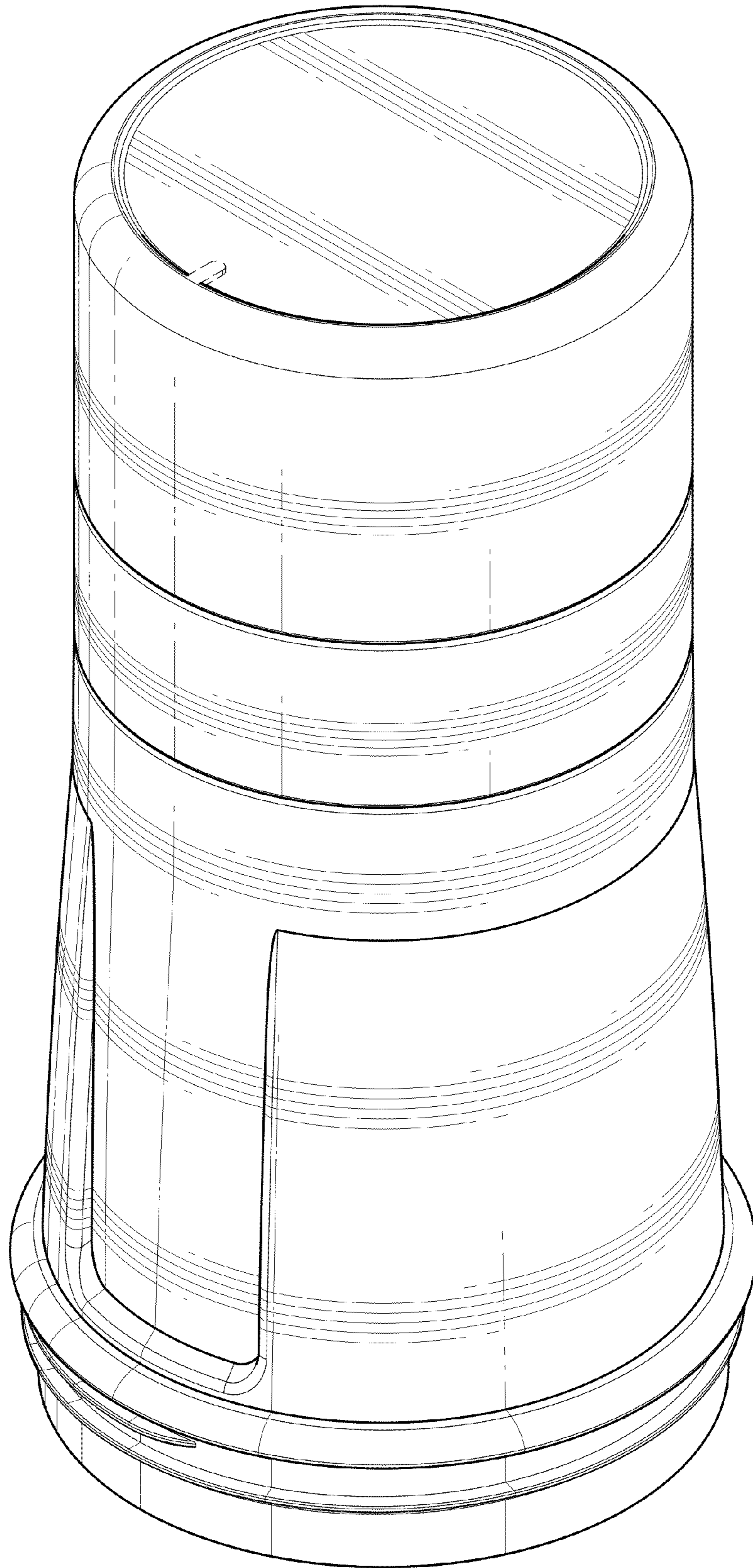
FIG. 20 is an exploded, lower perspective view of the container system shown in FIG. 11.

The broken lines shown in the figures depict unclaimed portions of the container system only and form no part of the claimed design.

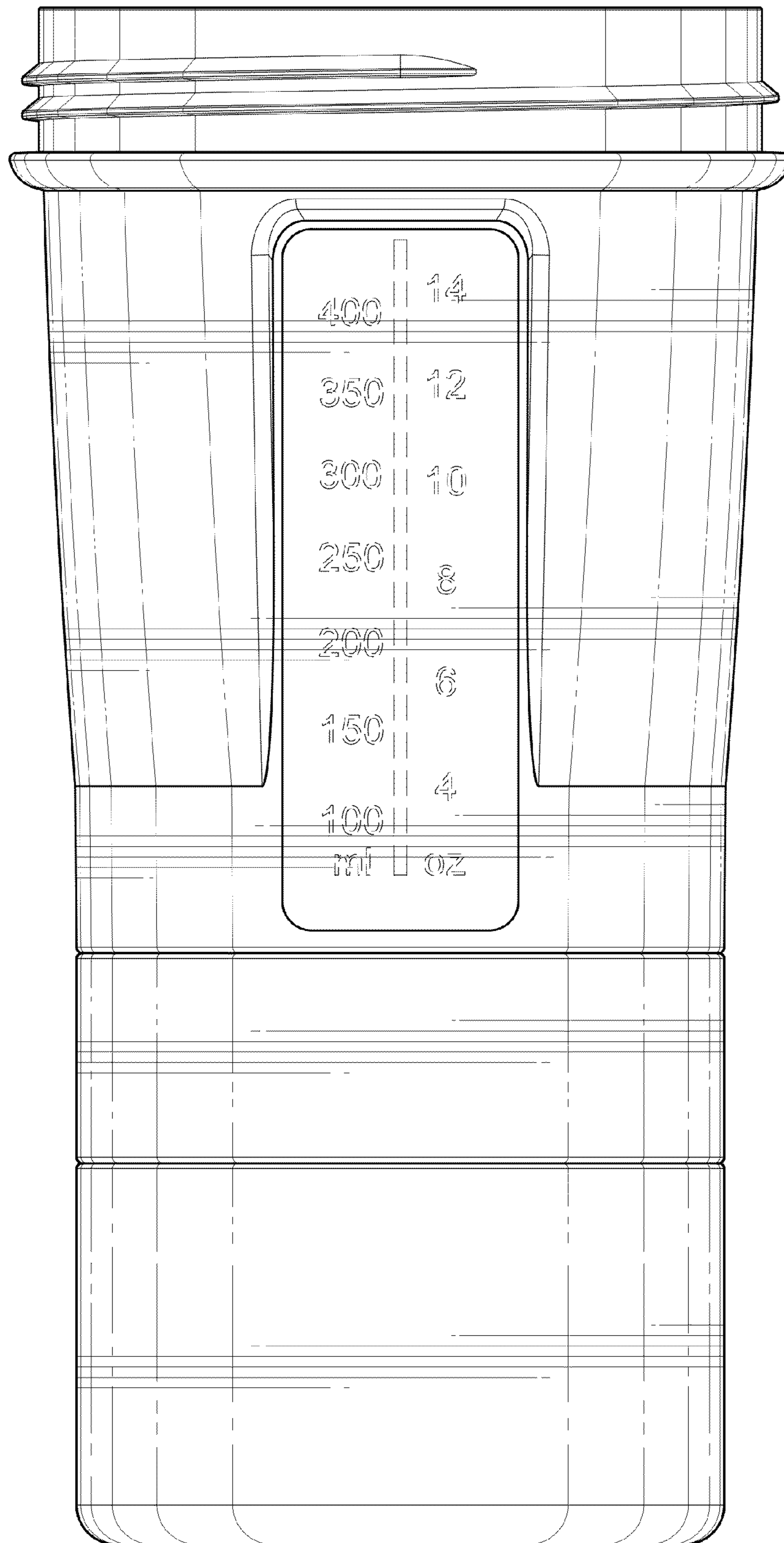
**1 Claim, 18 Drawing Sheets**



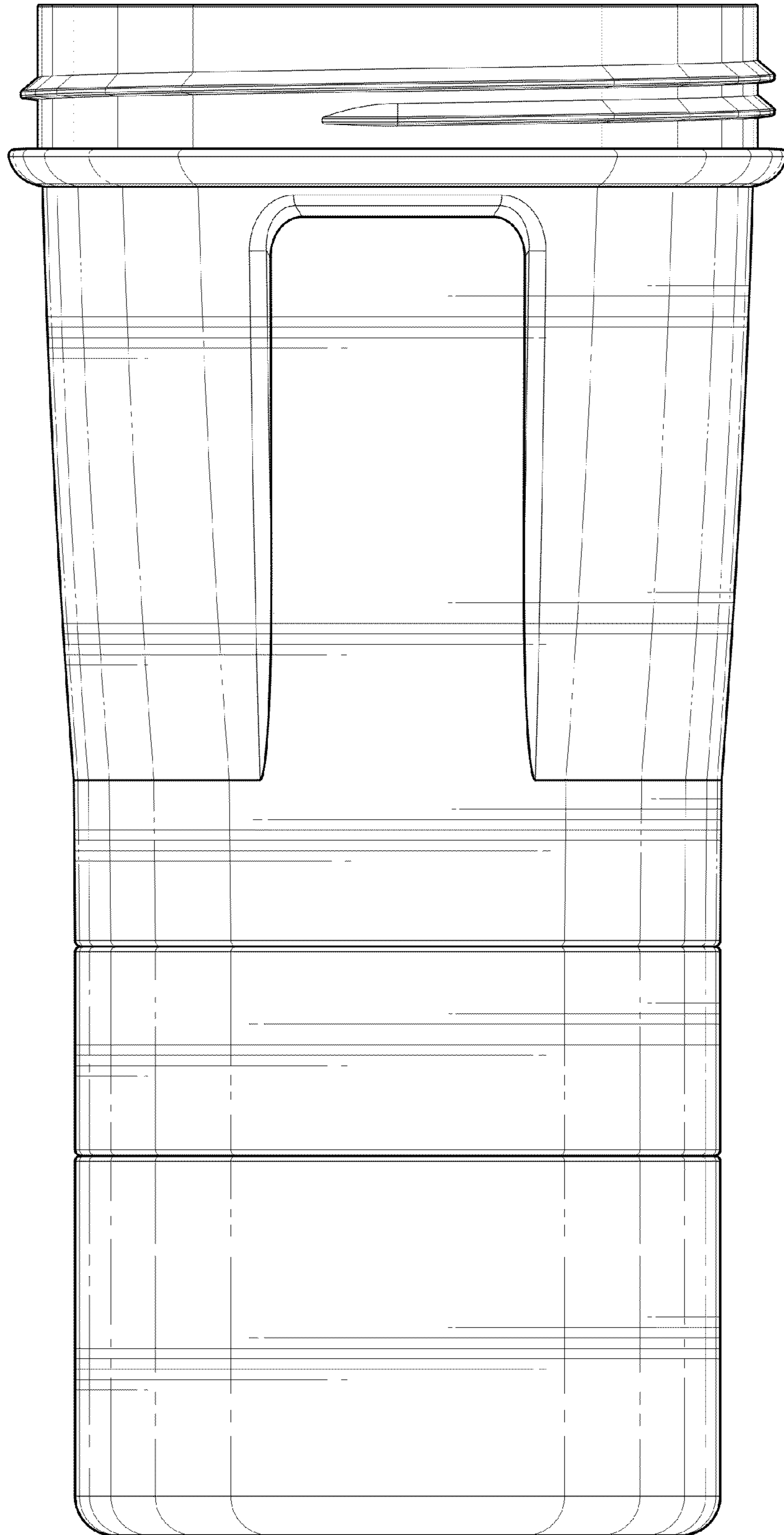
**Fig. 1**



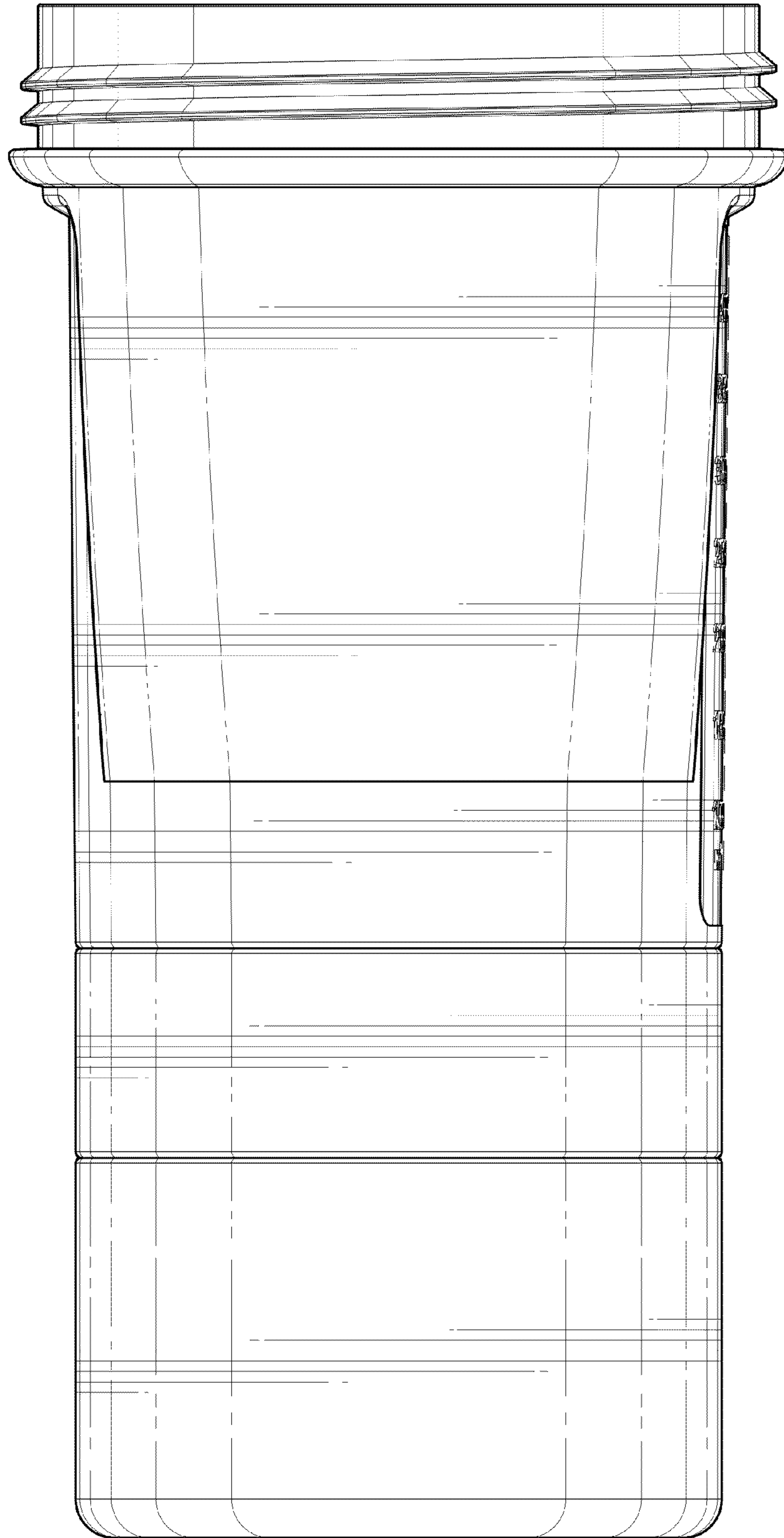
**Fig. 2**



**Fig. 3**

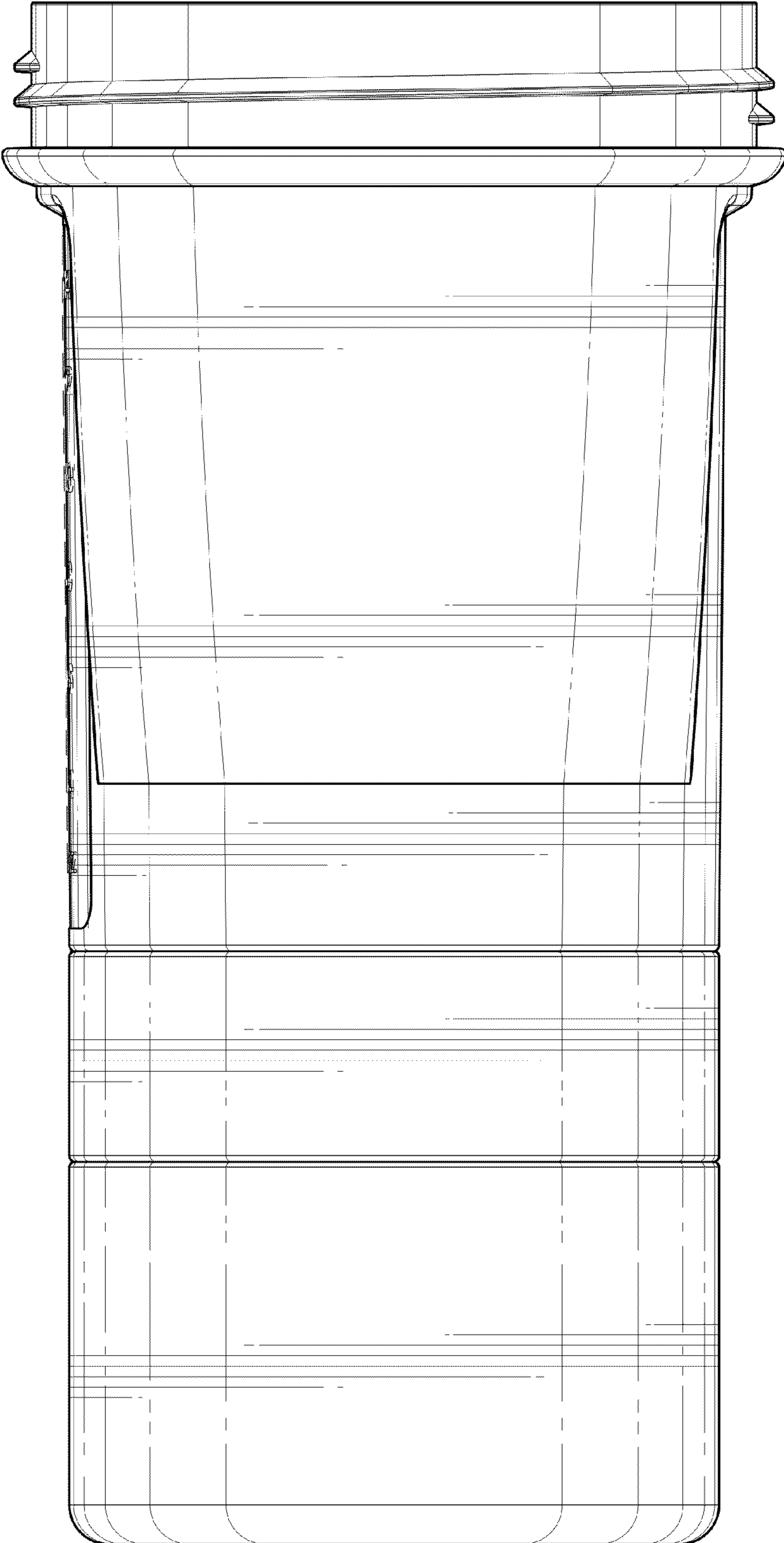


**Fig. 4**

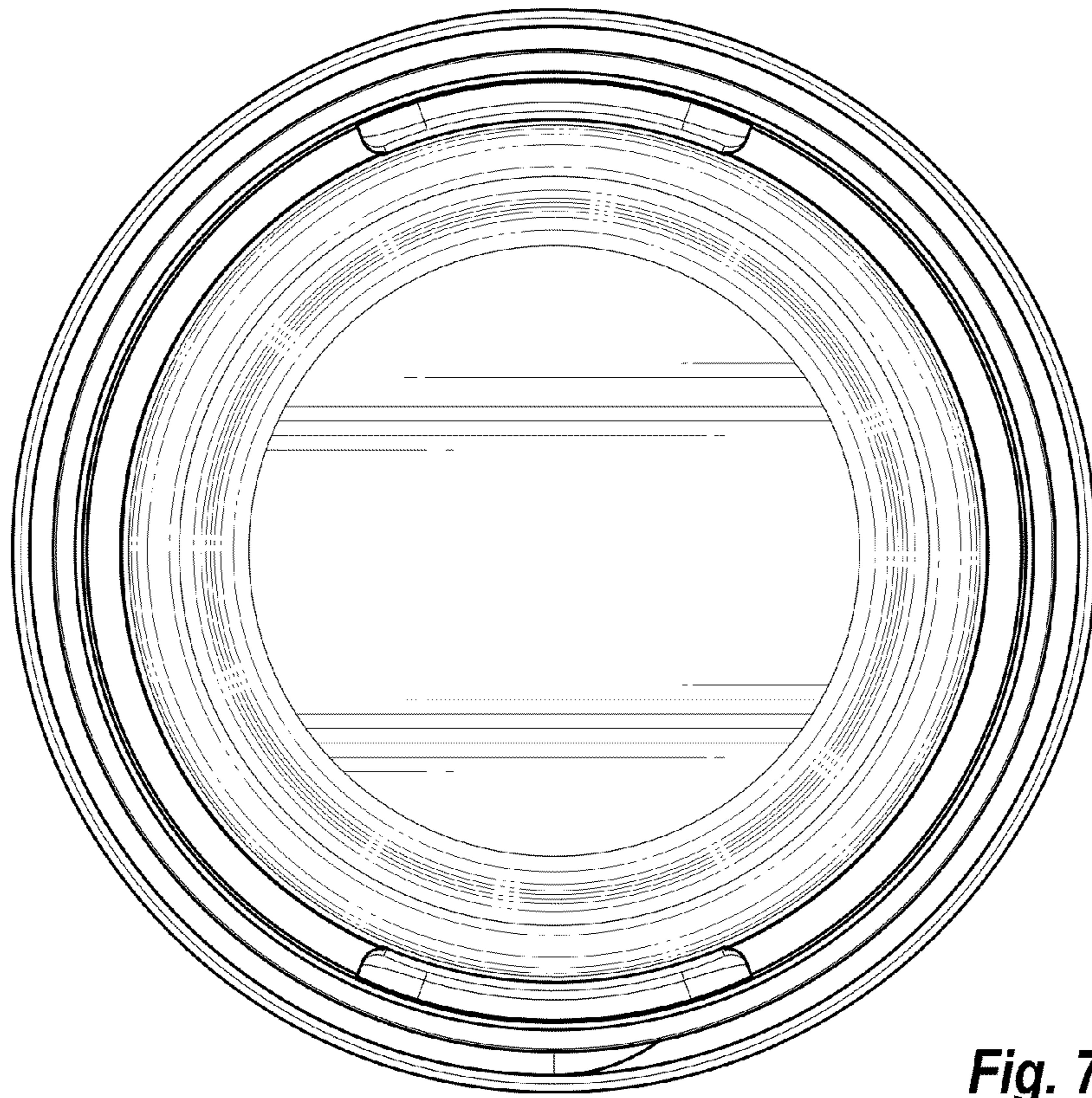


**Fig. 5**

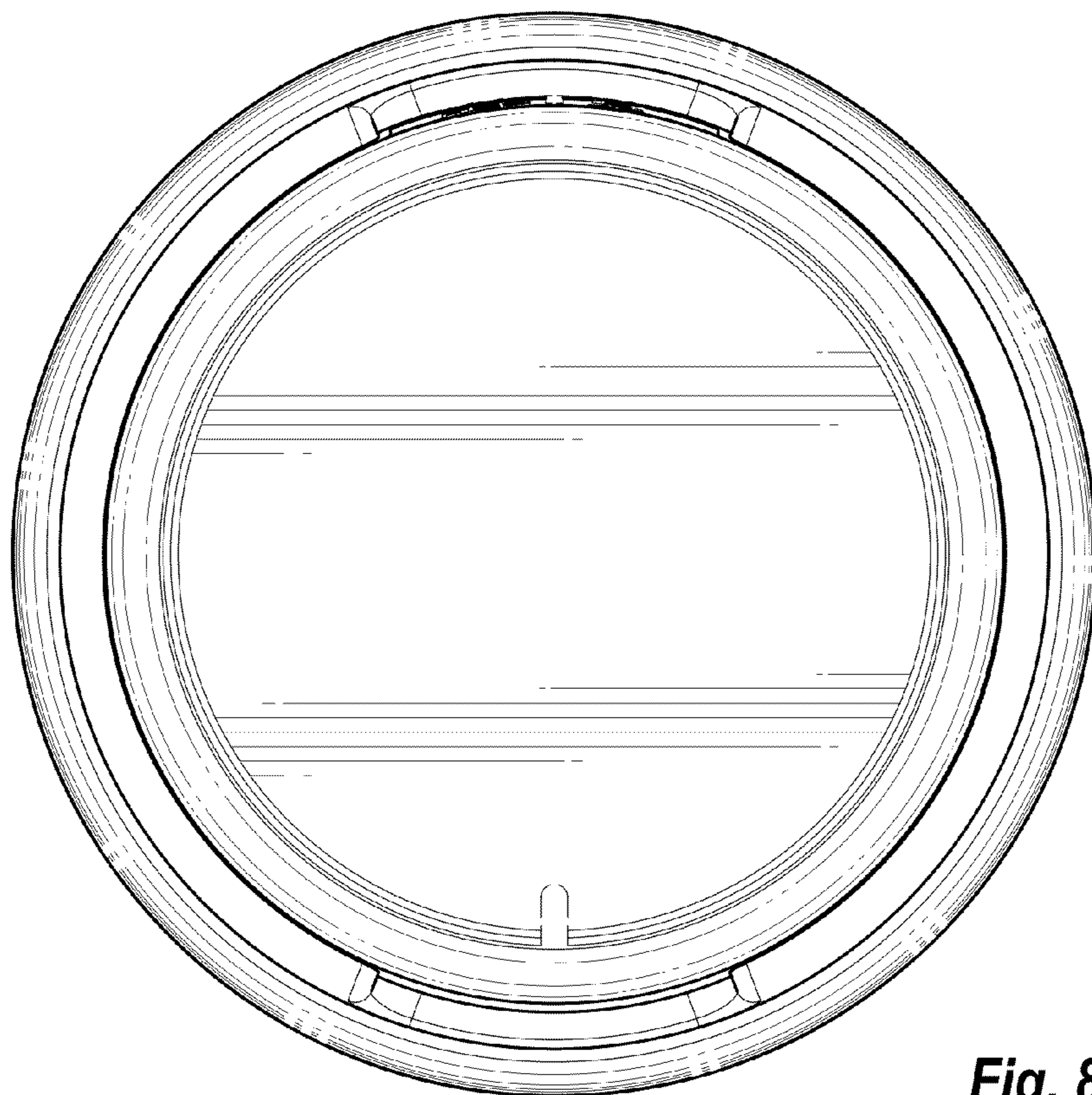




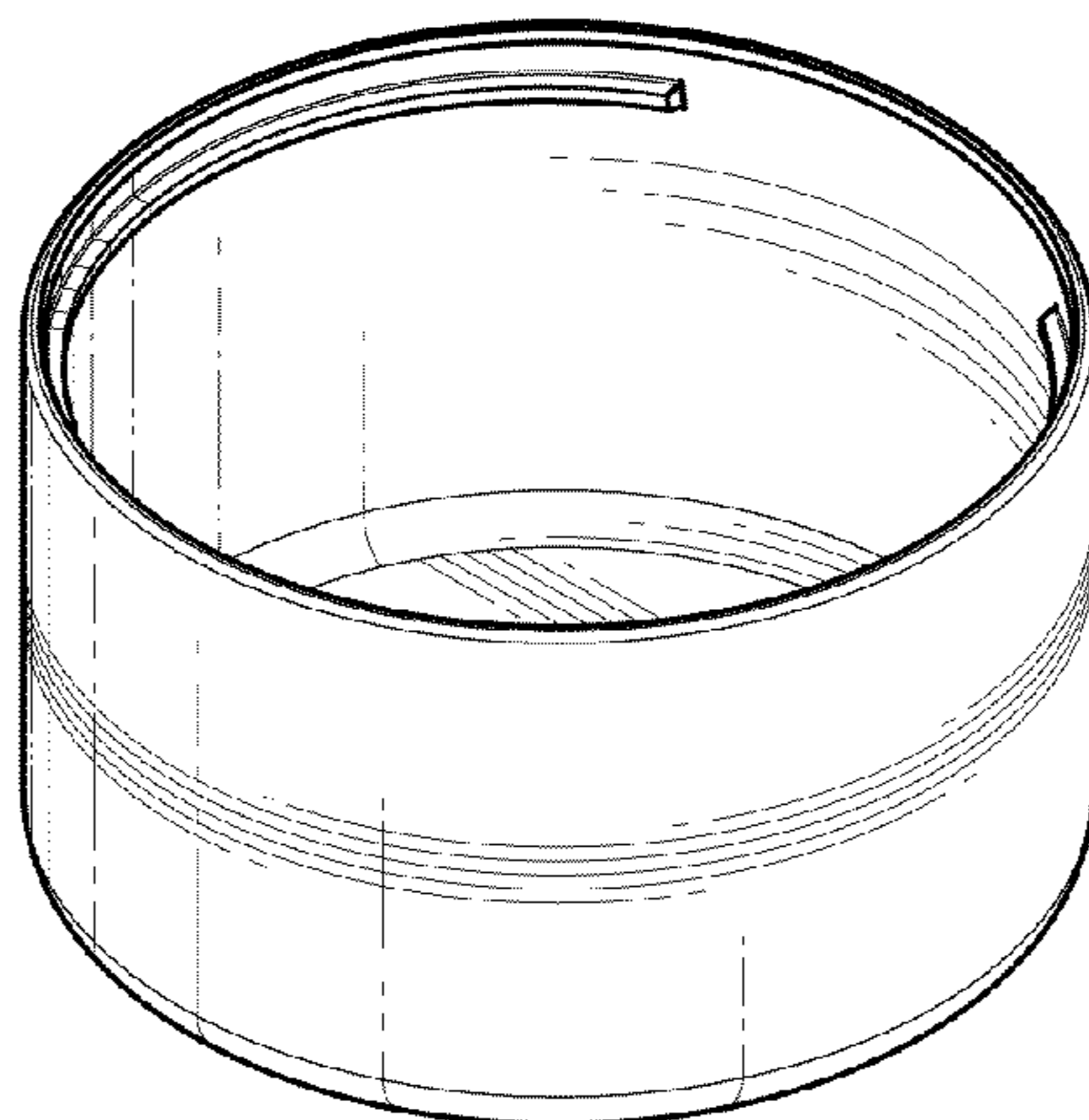
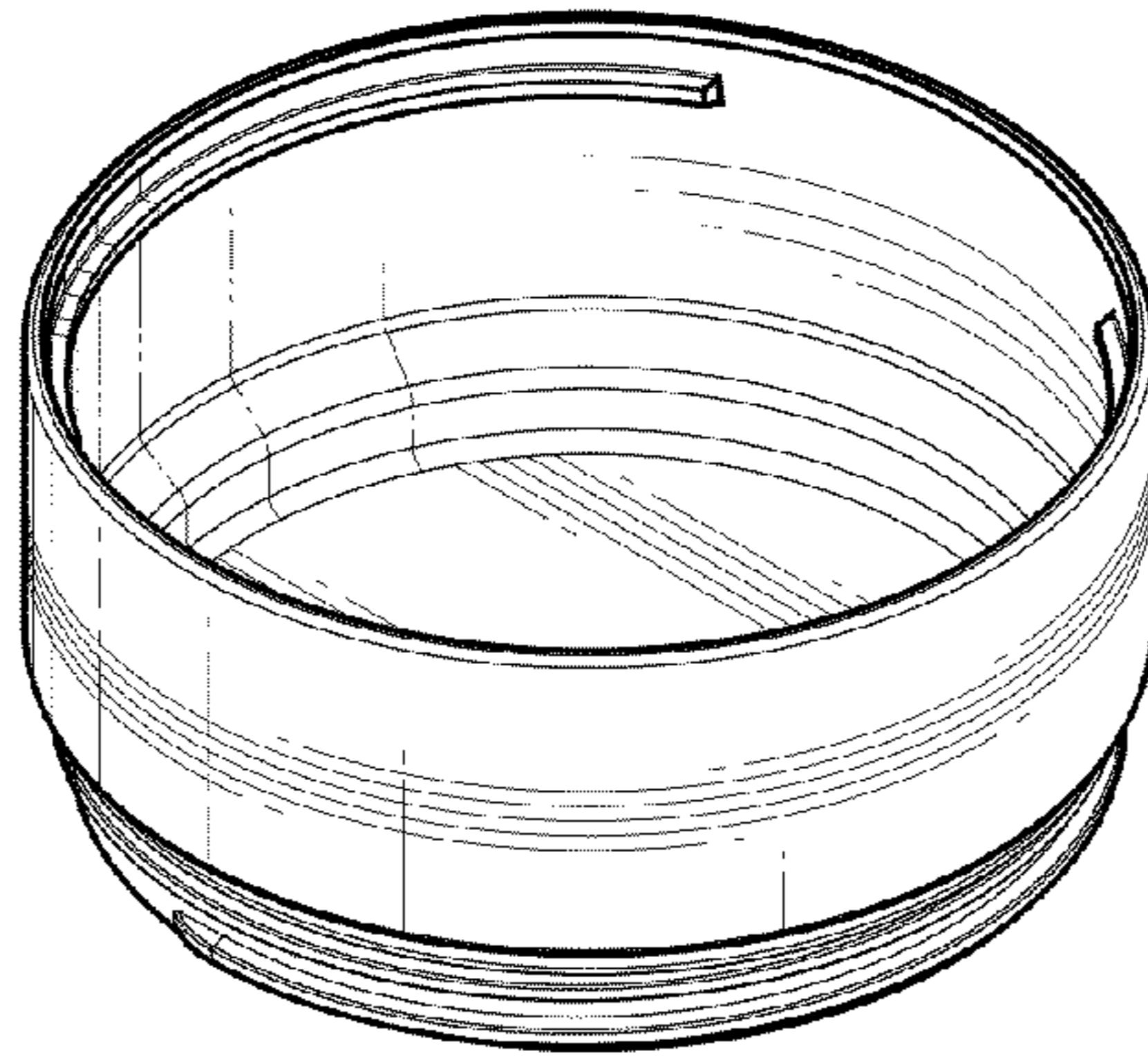
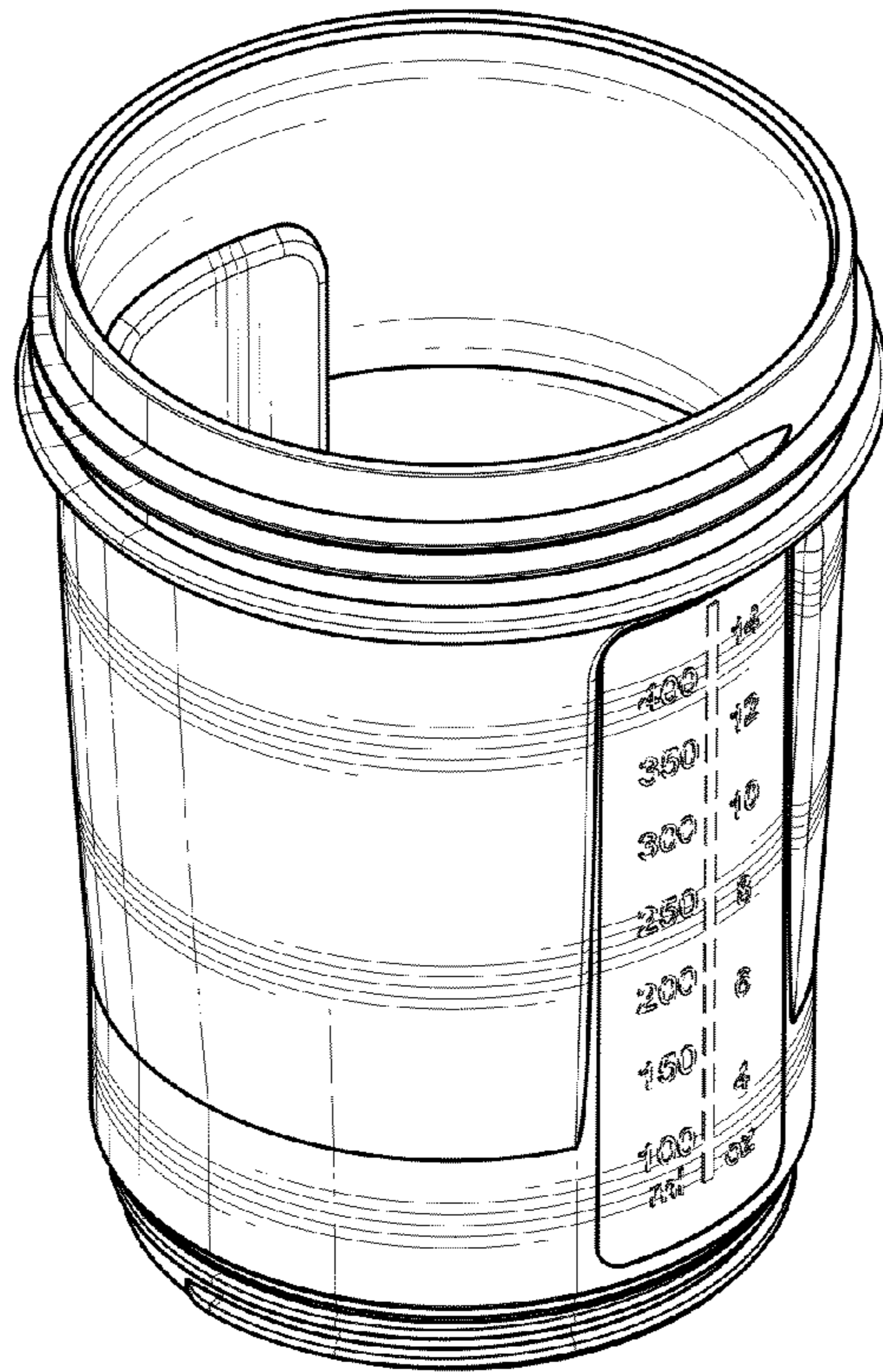
**Fig. 6**



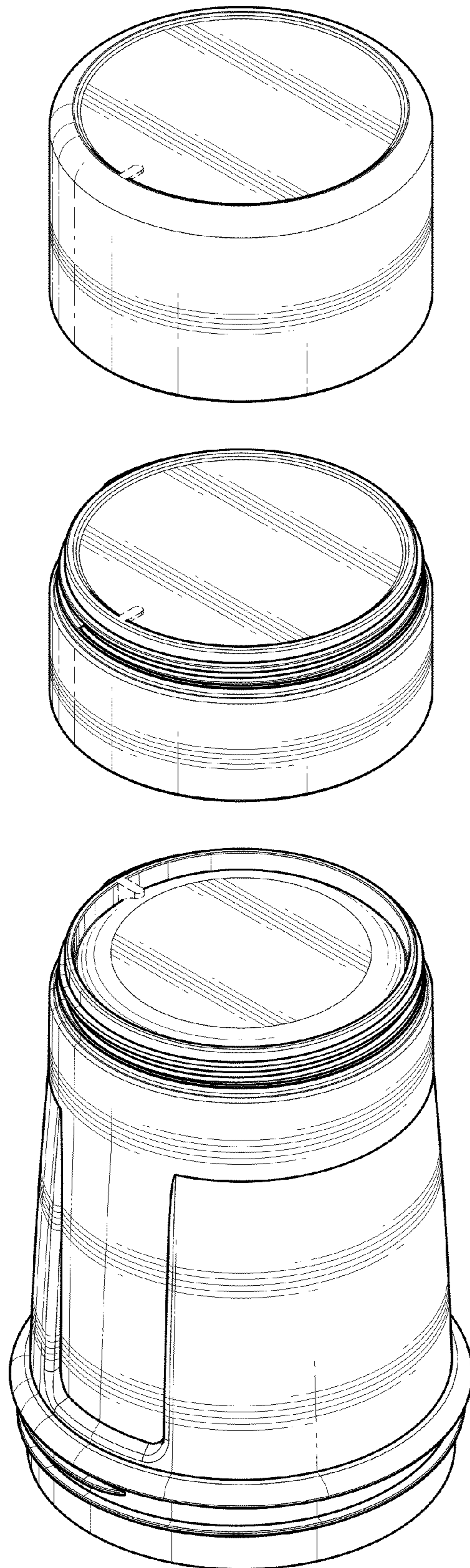
**Fig. 7**



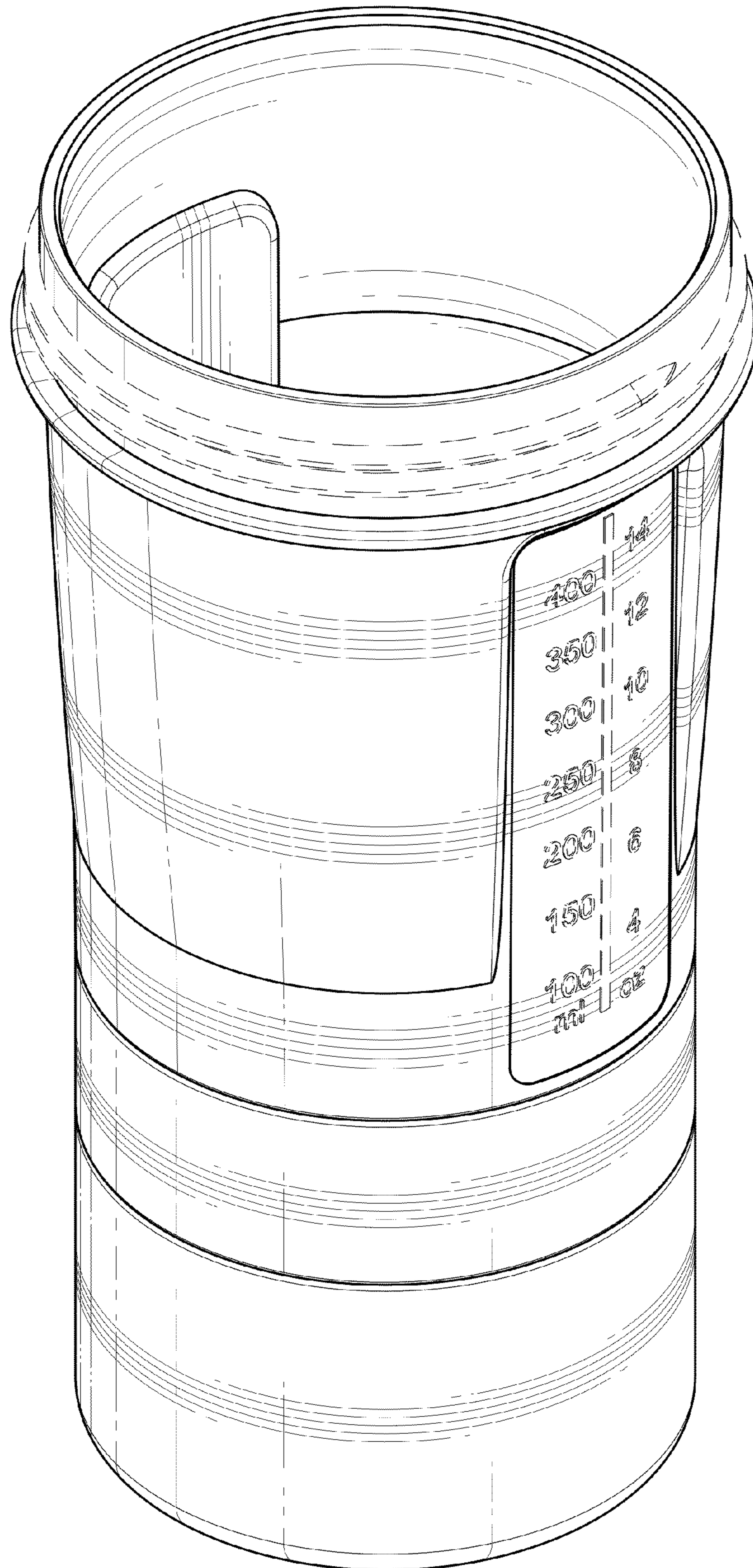
**Fig. 8**



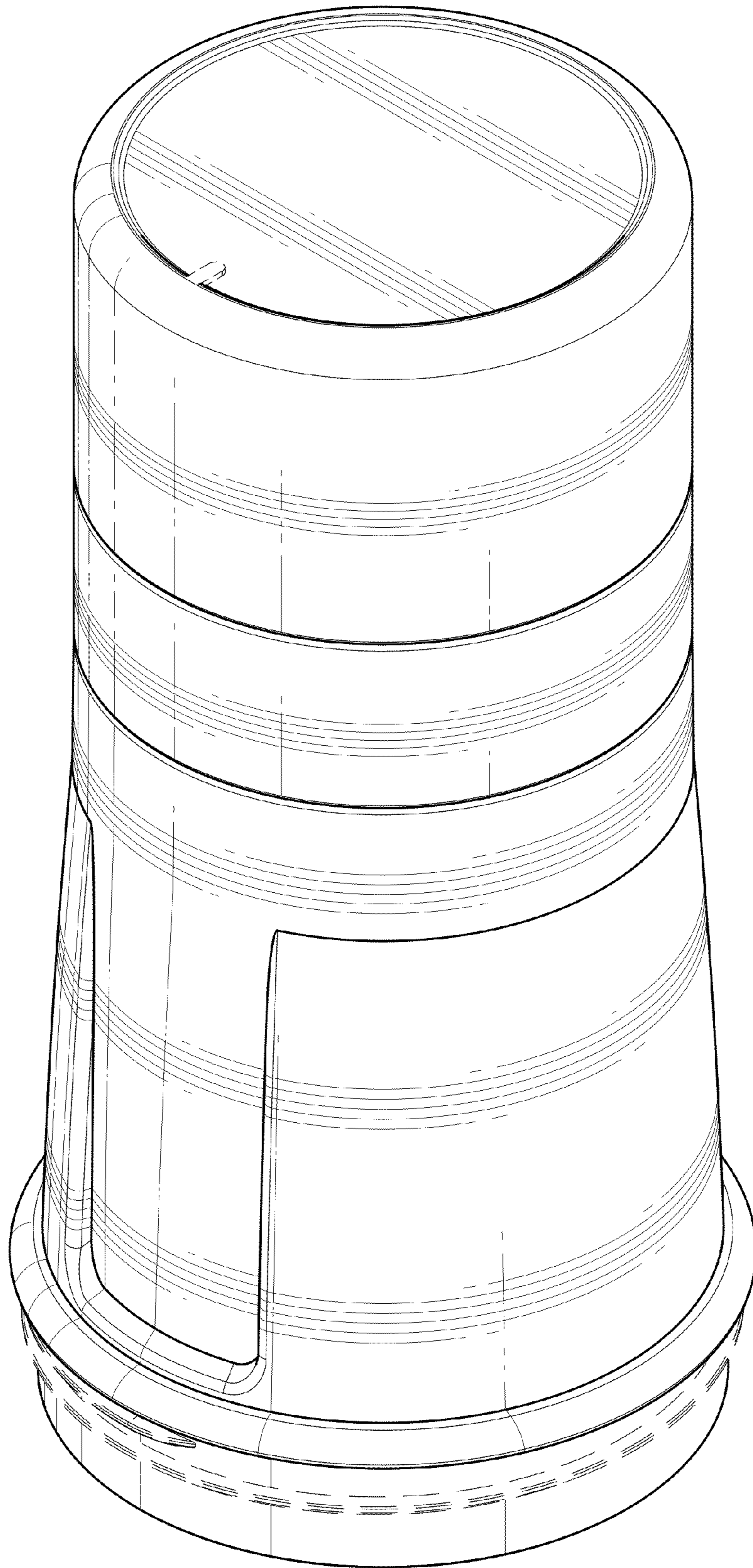
**Fig. 9**



**Fig. 10**



**Fig. 11**



**Fig. 12**

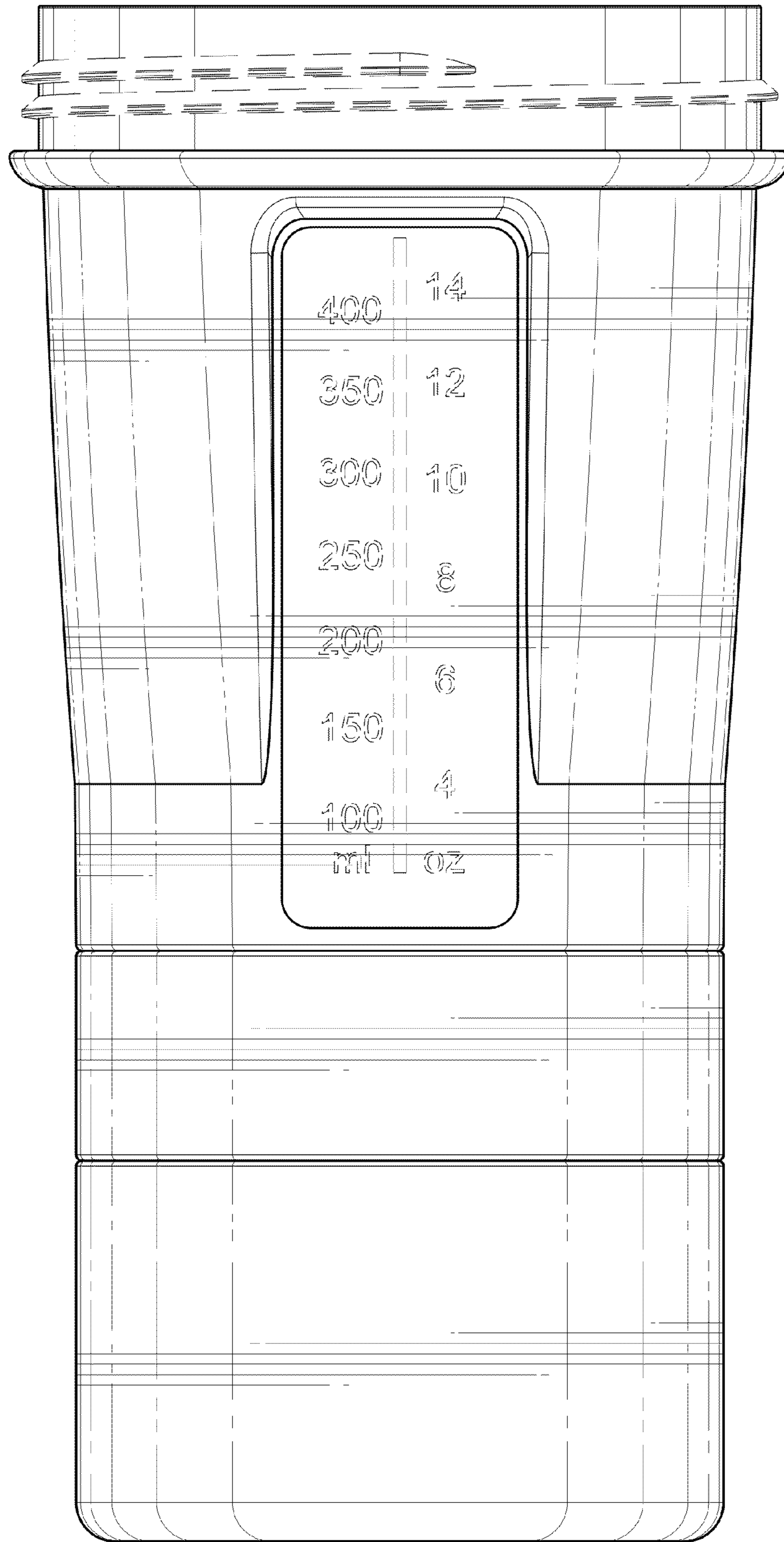
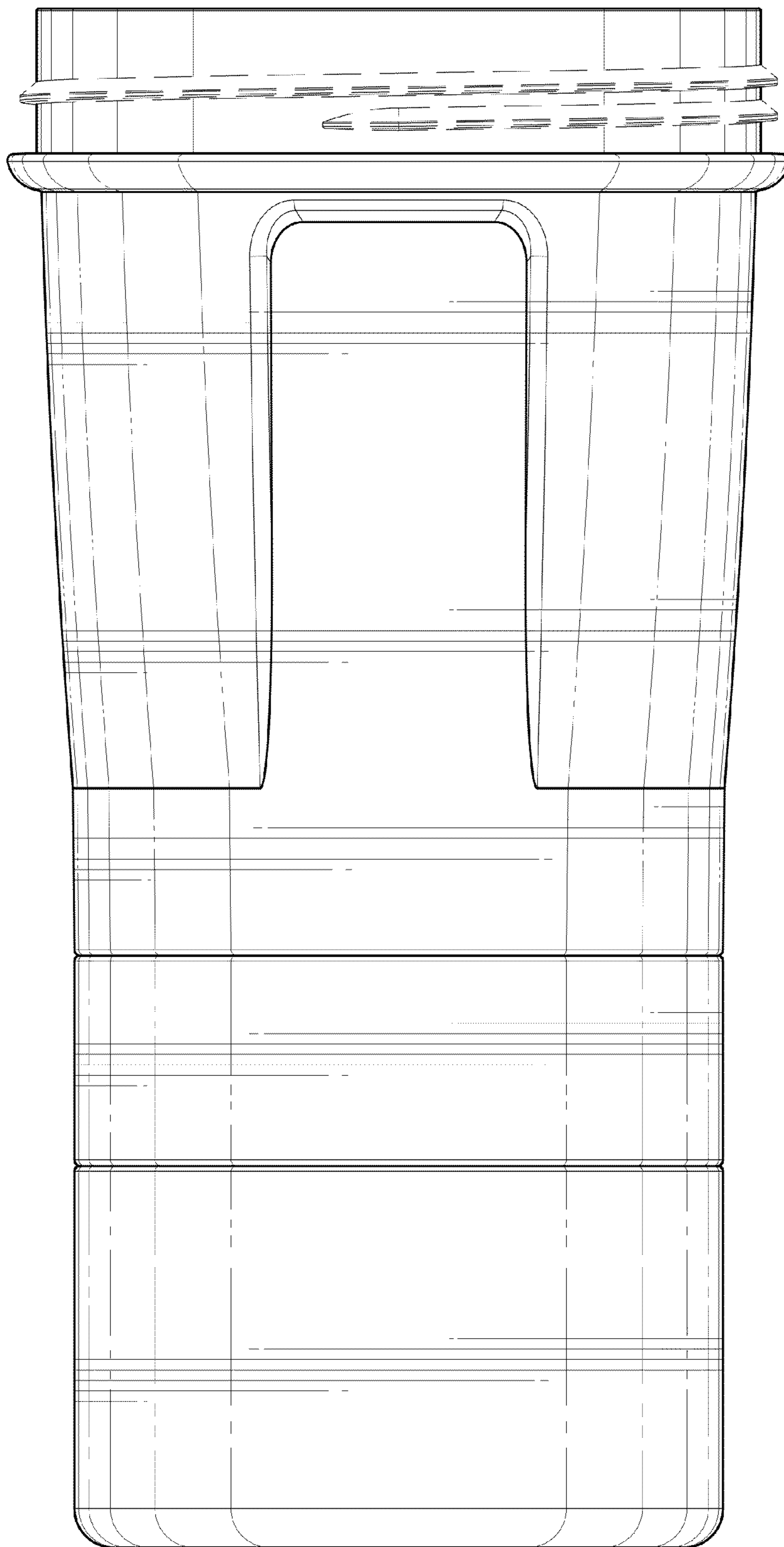
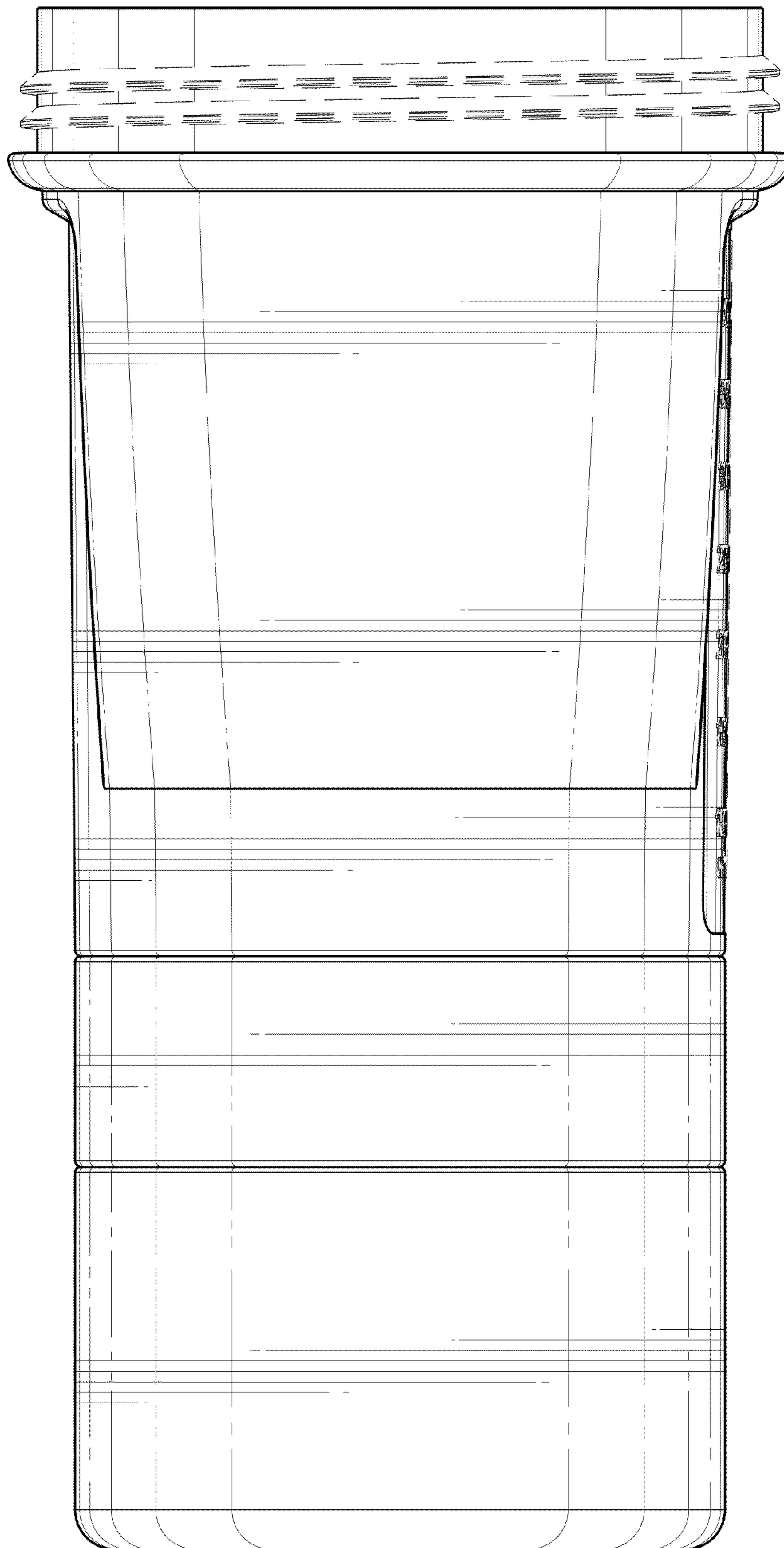


Fig. 13

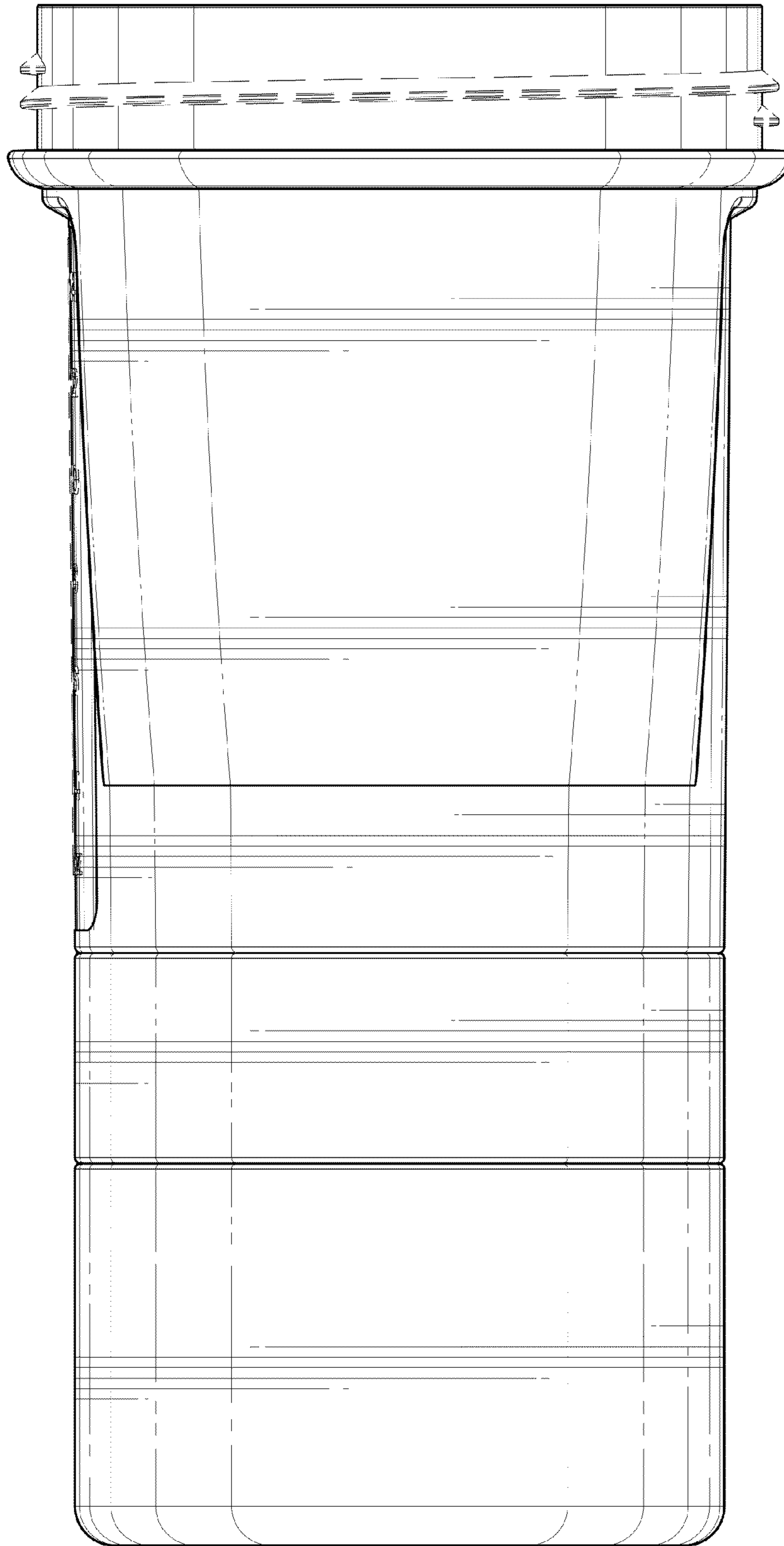


**Fig. 14**

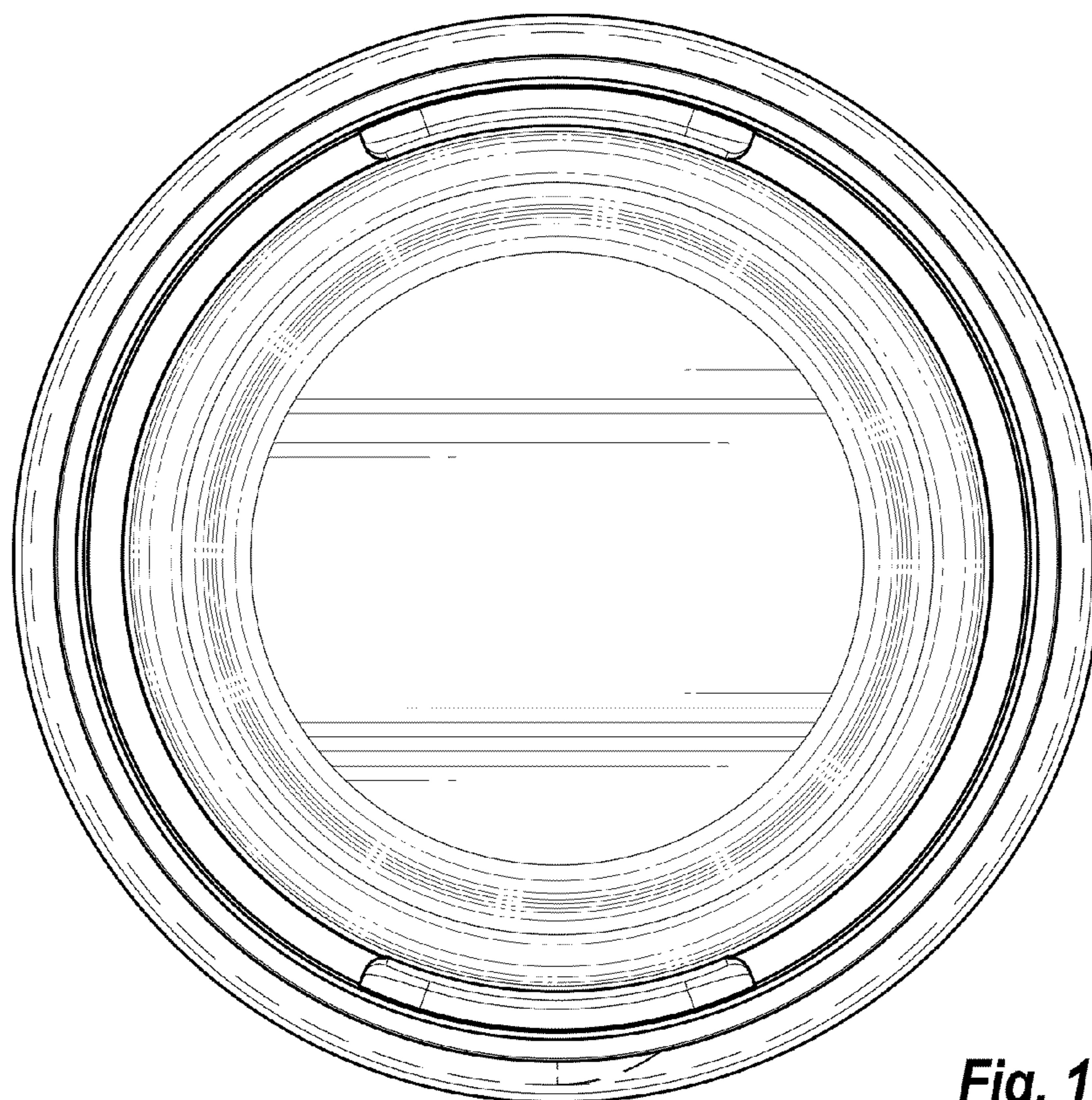




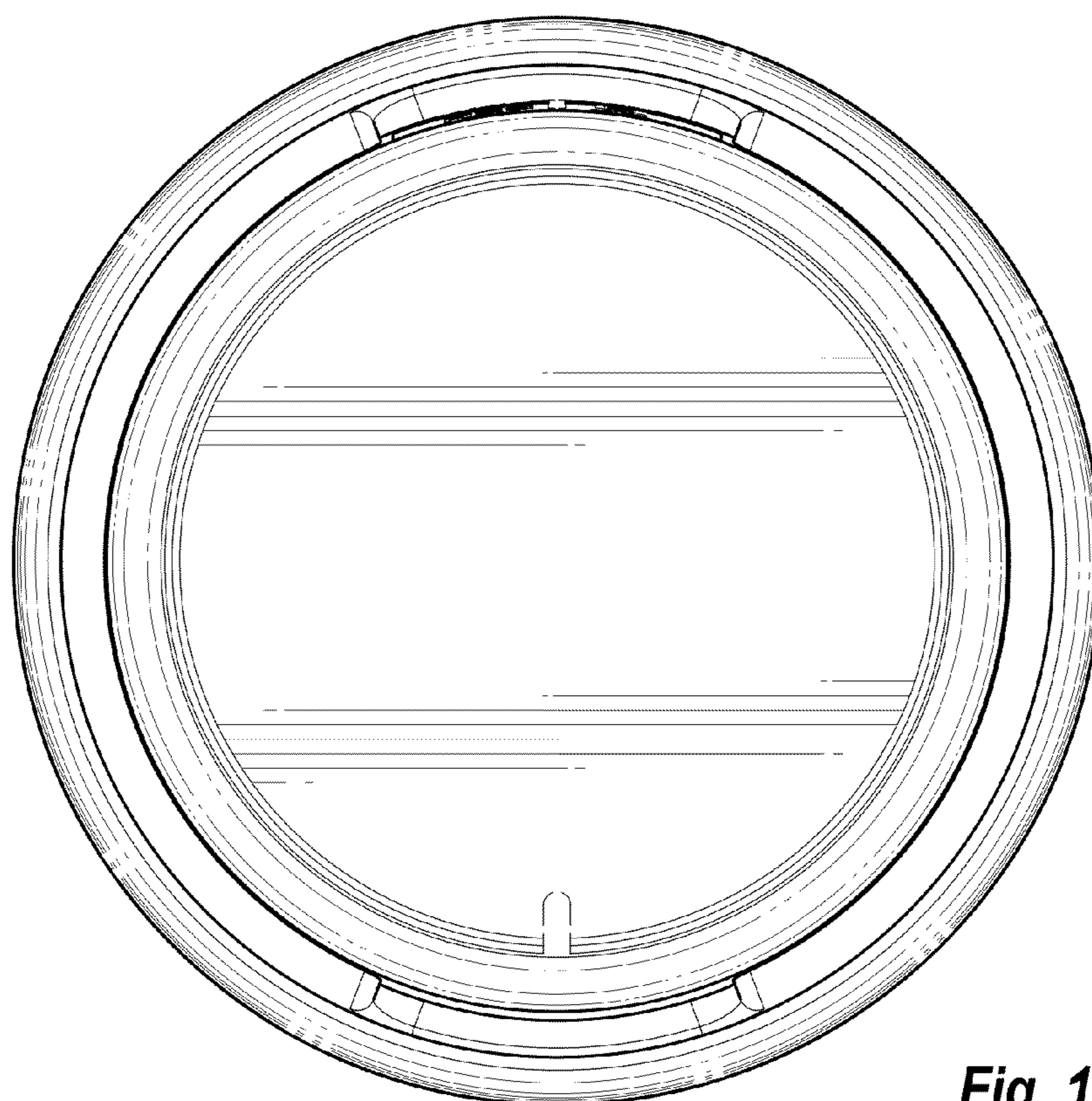
**Fig. 15**



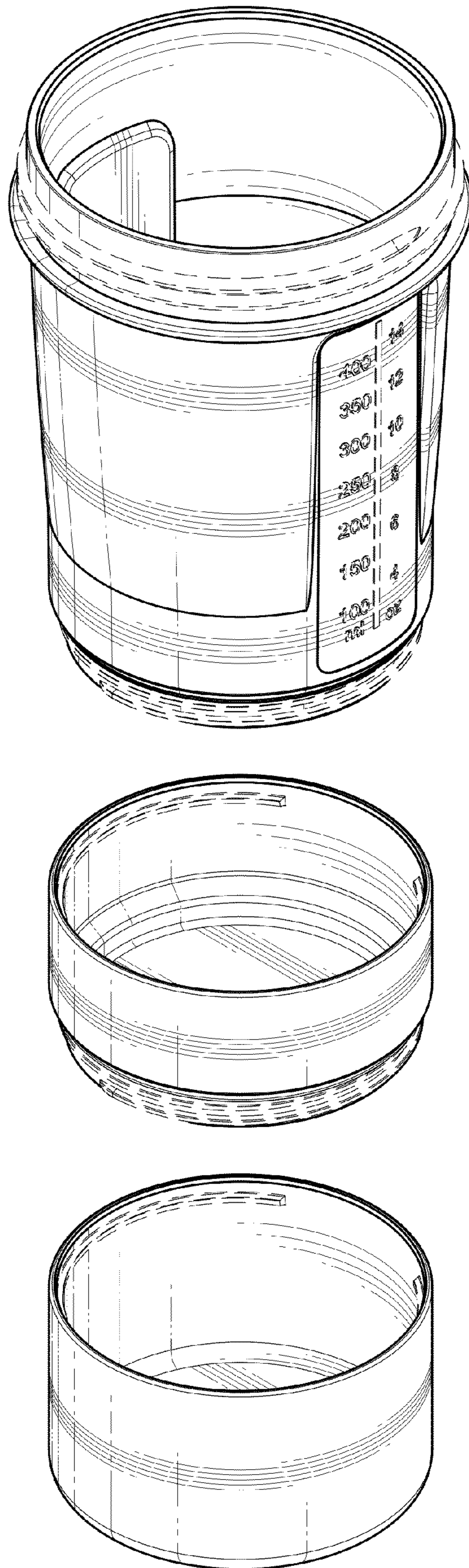
**Fig. 16**



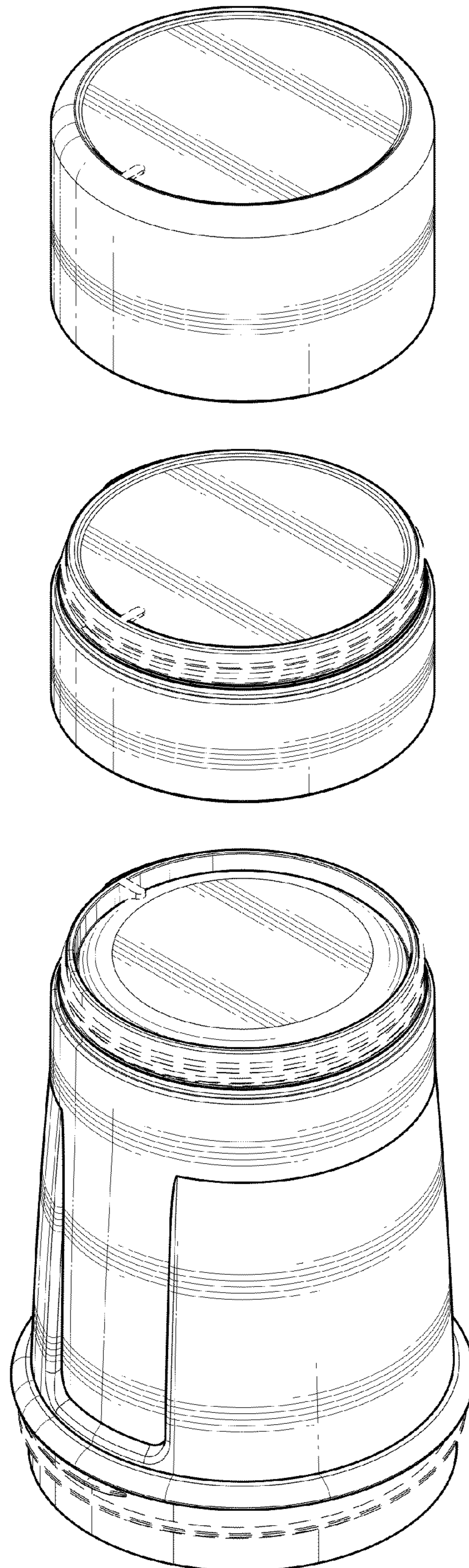
*Fig. 17*



*Fig. 18*



**Fig. 19**



**Fig. 20**