



US00D727093S

(12) **United States Design Patent**
Lapsker

(10) **Patent No.:** **US D727,093 S**
(45) **Date of Patent:** **** Apr. 21, 2015**

(54) **BEVERAGEWARE LID WITH ELASTOMERIC RING**

(71) Applicant: **Starline Global Inc.**, Bridgetown (BB)

(72) Inventor: **Ron Lapsker**, Bridgetown (BB)

(73) Assignee: **Starline Global Inc.**, Bridgetown (BB)

(**) Term: **14 Years**

(21) Appl. No.: **29/483,016**

(22) Filed: **Feb. 25, 2014**

(51) **LOC (10) Cl.** **07-01**

(52) **U.S. Cl.**
USPC **D7/396.2**

(58) **Field of Classification Search**
USPC D7/396.2, 507, 509, 510, 511;
D9/434-455, 524, 682, 685, 694;
215/200, 235, 236, 252, 254, 329,
215/355-364; 220/203.04-203.07, 220,
220/254.1, 254.4, 556, 703, 704, 705;
D6/542-545

See application file for complete search history.

(56) **References Cited**

U.S. PATENT DOCUMENTS

D432,865 S *	10/2000	Cohen	D7/510
D485,759 S *	1/2004	Janky et al.	D9/449
D581,211 S *	11/2008	Lapsker	D7/396.2
D662,776 S *	7/2012	Eyal	D7/510
D664,002 S *	7/2012	Eyal	D7/510
D686,074 S *	7/2013	Brinckerhoff et al.	D9/447
D690,988 S *	10/2013	Audette	D7/392.1
D691,848 S *	10/2013	Trudeau et al.	D7/392.1
D692,270 S *	10/2013	Lapsker	D7/392.1
2009/0101646 A1 *	4/2009	Paul et al.	220/254.4

* cited by examiner

Primary Examiner — Robert M Spear

Assistant Examiner — Marissa J Cash

(74) *Attorney, Agent, or Firm* — Hodgson Russ LLP

(57) **CLAIM**

The ornamental design for a beverageware lid with elastomeric ring, as shown and described.

DESCRIPTION

A portion of the disclosure of this patent document contains material which is subject to copyright protection. This patent document may show and/or describe matter which is or may become trade dress of the owner. The copyright and trade dress owner has no objection to the facsimile reproduction by anyone of the patent disclosure as it appears in the Patent and Trademark Office patent files or records, but otherwise reserves all copyright and trade dress rights whatsoever.

FIG. 1 is a front perspective view of the beverageware lid with elastomeric ring showing my new design;

FIG. 2 is a front perspective view thereof, the elastomeric ring being removed therefrom;

FIG. 3 is a front view thereof;

FIG. 4 is a right side view thereof, the left side being mirror symmetrical;

FIG. 5 is a rear view thereof;

FIG. 6 is a top view thereof;

FIG. 7 is a bottom view thereof;

FIG. 8 is a right side cut-away view thereof;

FIG. 9 is a front perspective view of a second embodiment of the beverageware lid with elastomeric ring;

FIG. 10 is a front perspective view thereof, the elastomeric ring being removed therefrom;

FIG. 11 is a front view thereof;

FIG. 12 is a right side view thereof, the left side being mirror symmetrical;

FIG. 13 is a rear view thereof;

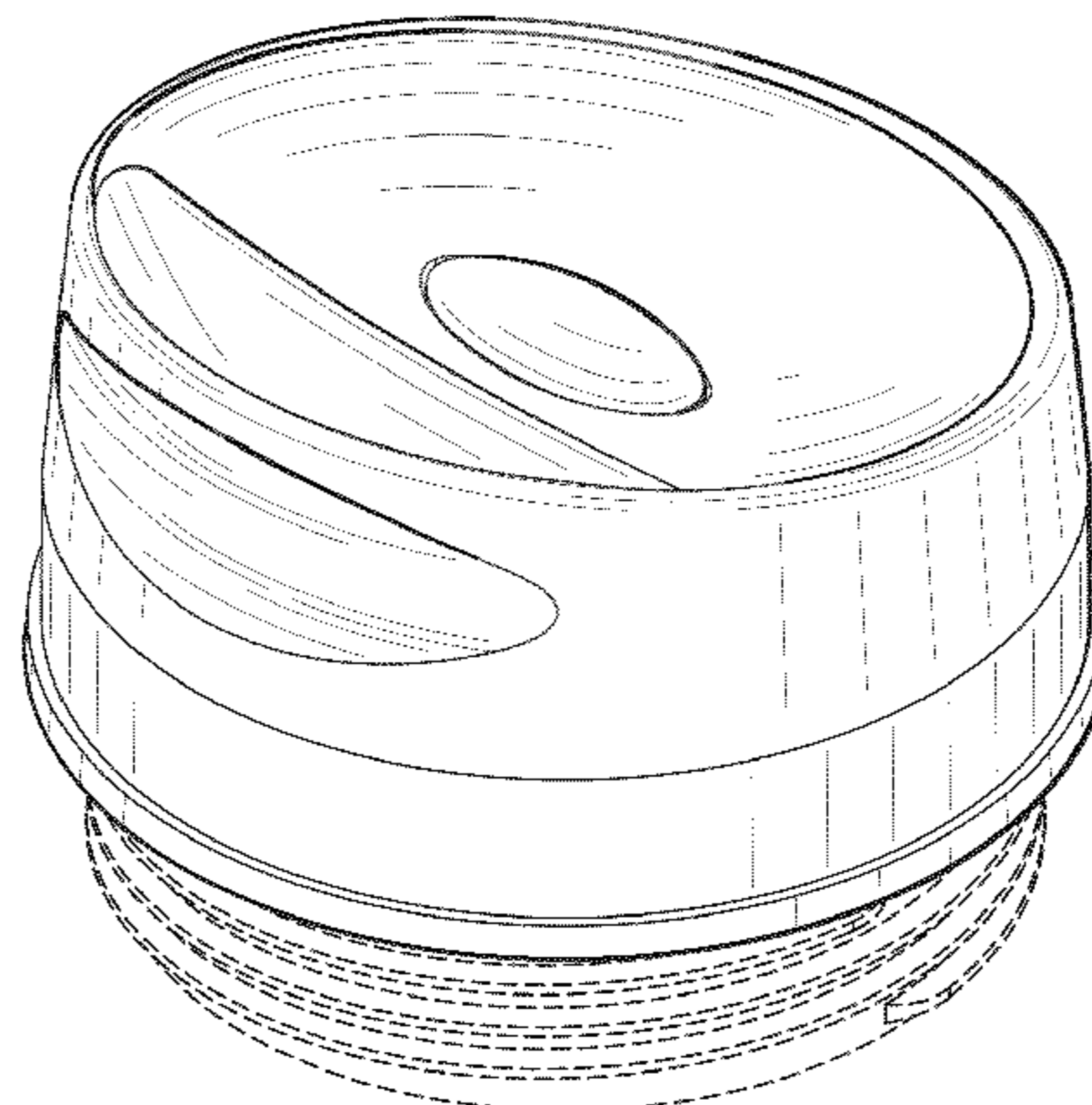
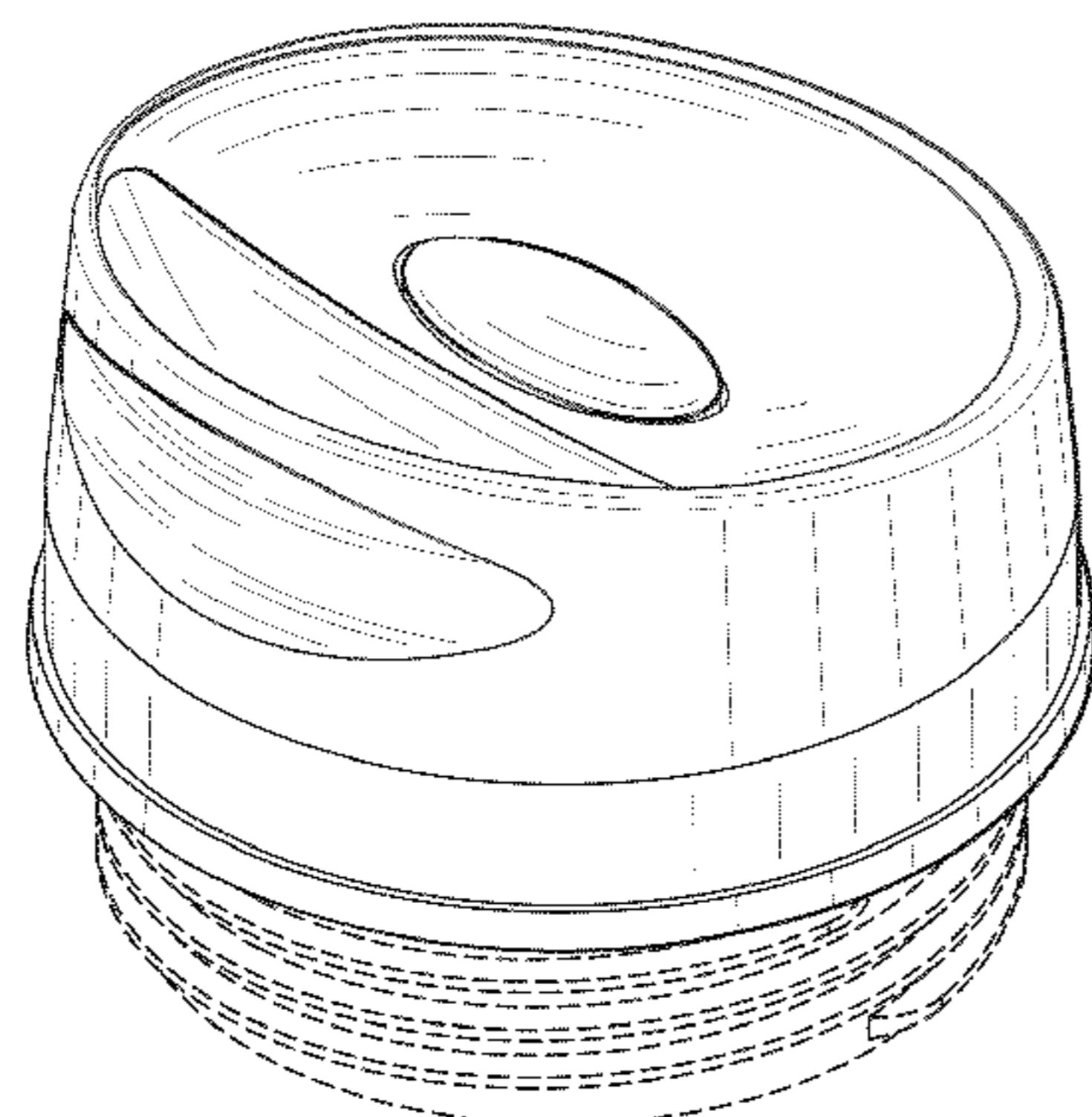
FIG. 14 is a top view thereof;

FIG. 15 is a bottom view thereof; and,

FIG. 16 is a right side cut-away view thereof.

The dash-dash broken lines and unshaded surfaces bounded by broken lines form no part of the claimed design. The dash-dot line represents a cut-away portion that forms no part of the claimed design. The cross-hatch is used to indicate a difference in material between the beverageware lid and elastomeric ring.

1 Claim, 8 Drawing Sheets



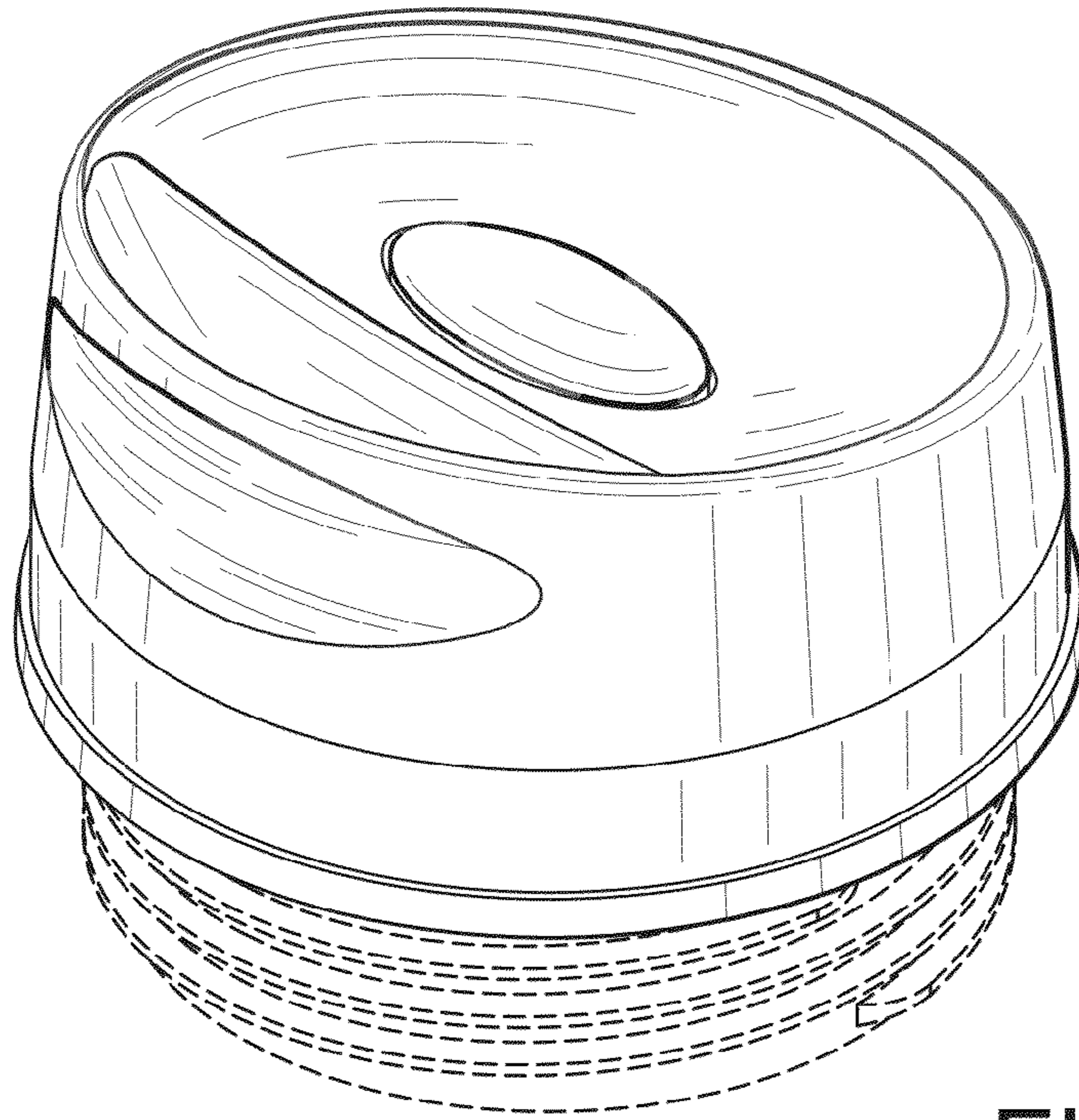


FIG. 1

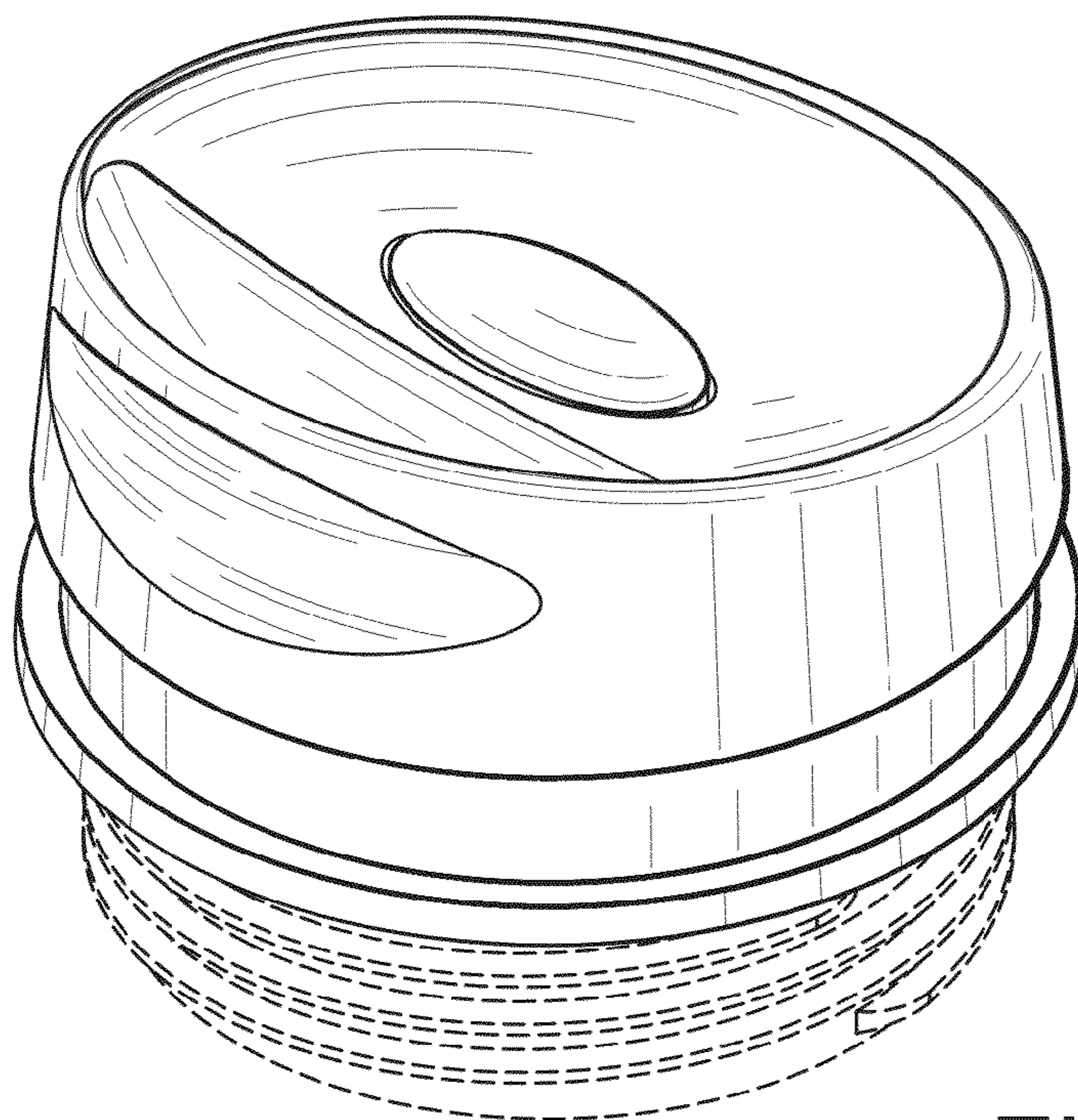


FIG. 2

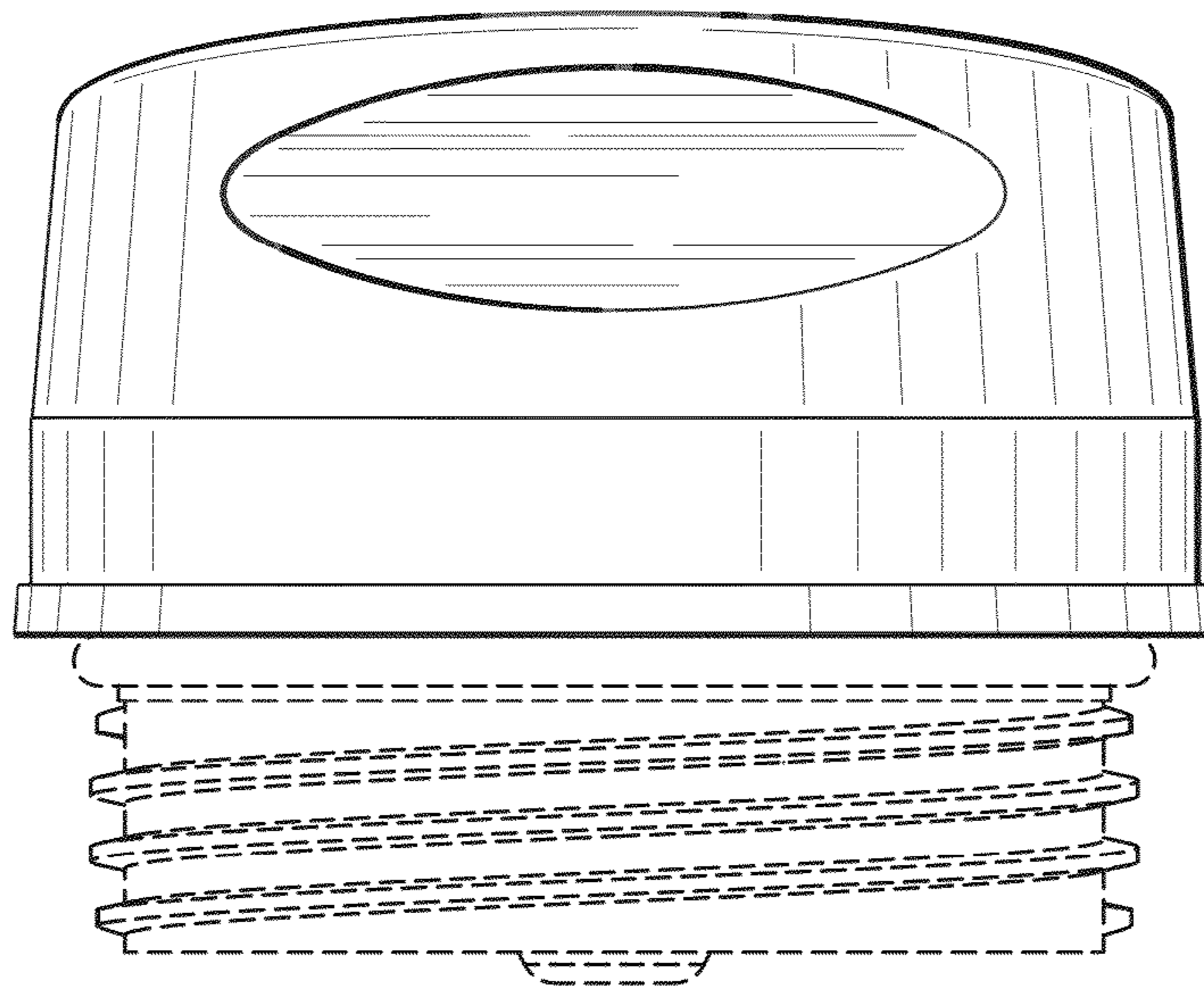


FIG. 3

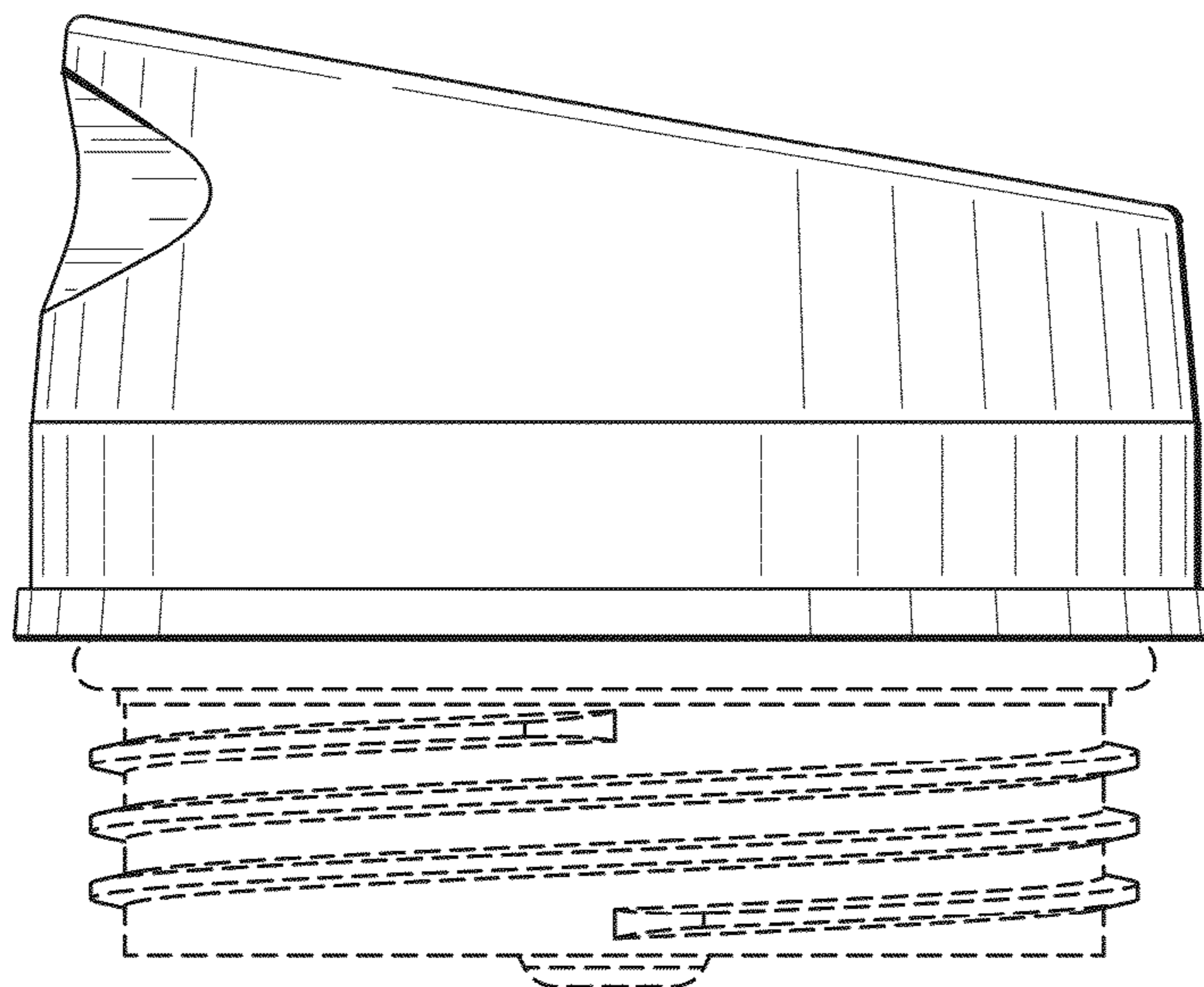


FIG. 4

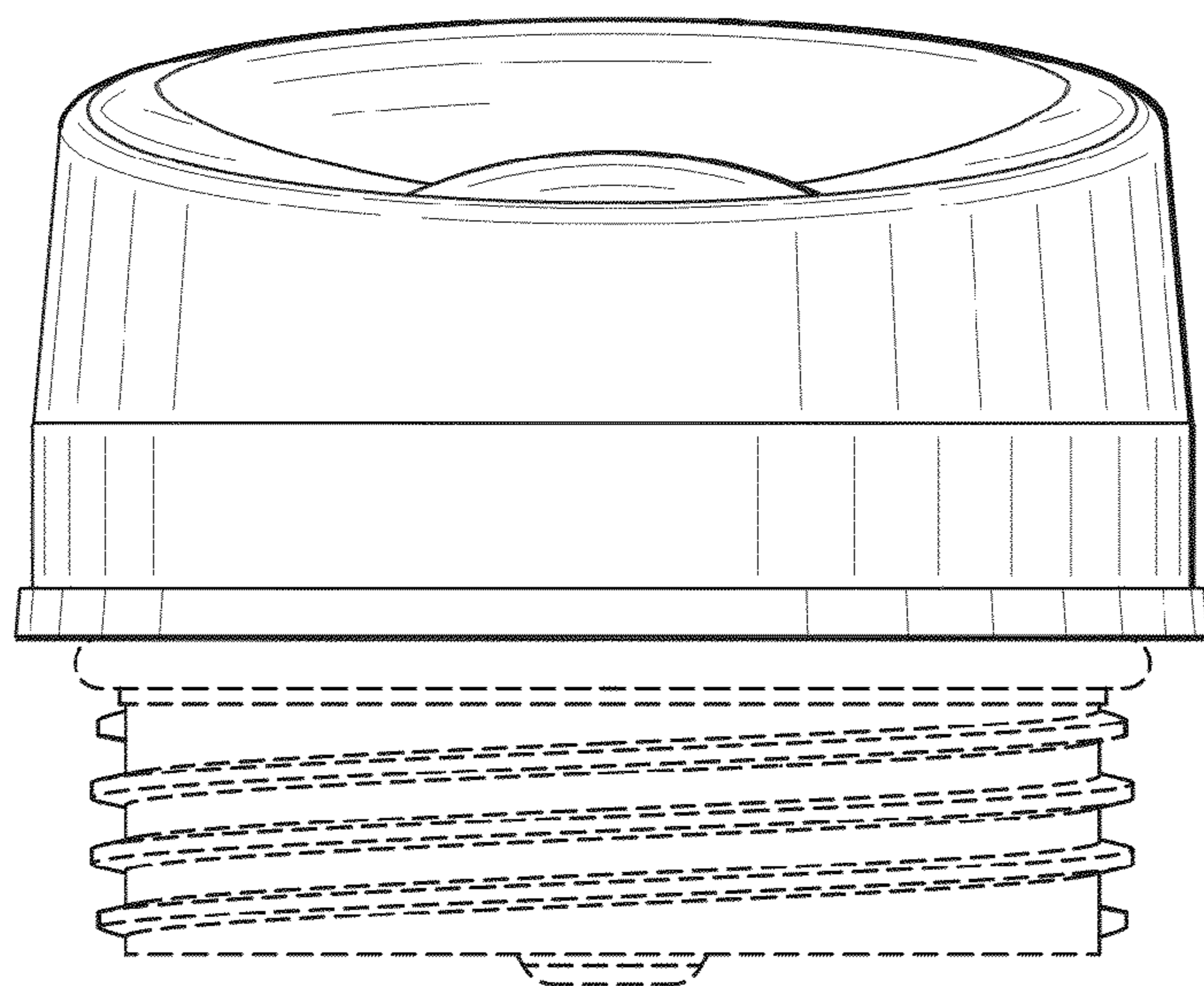


FIG. 5

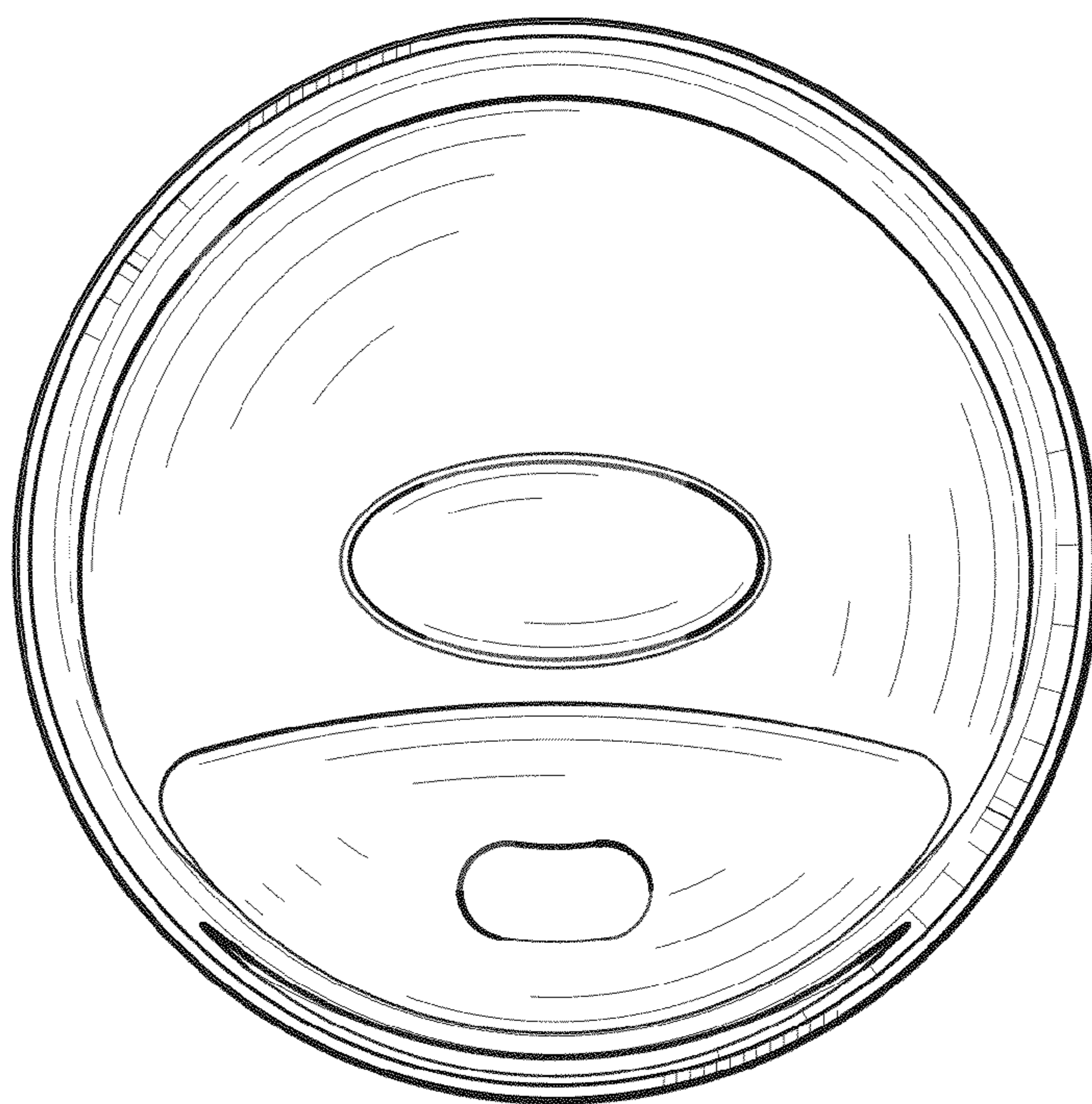


FIG. 6

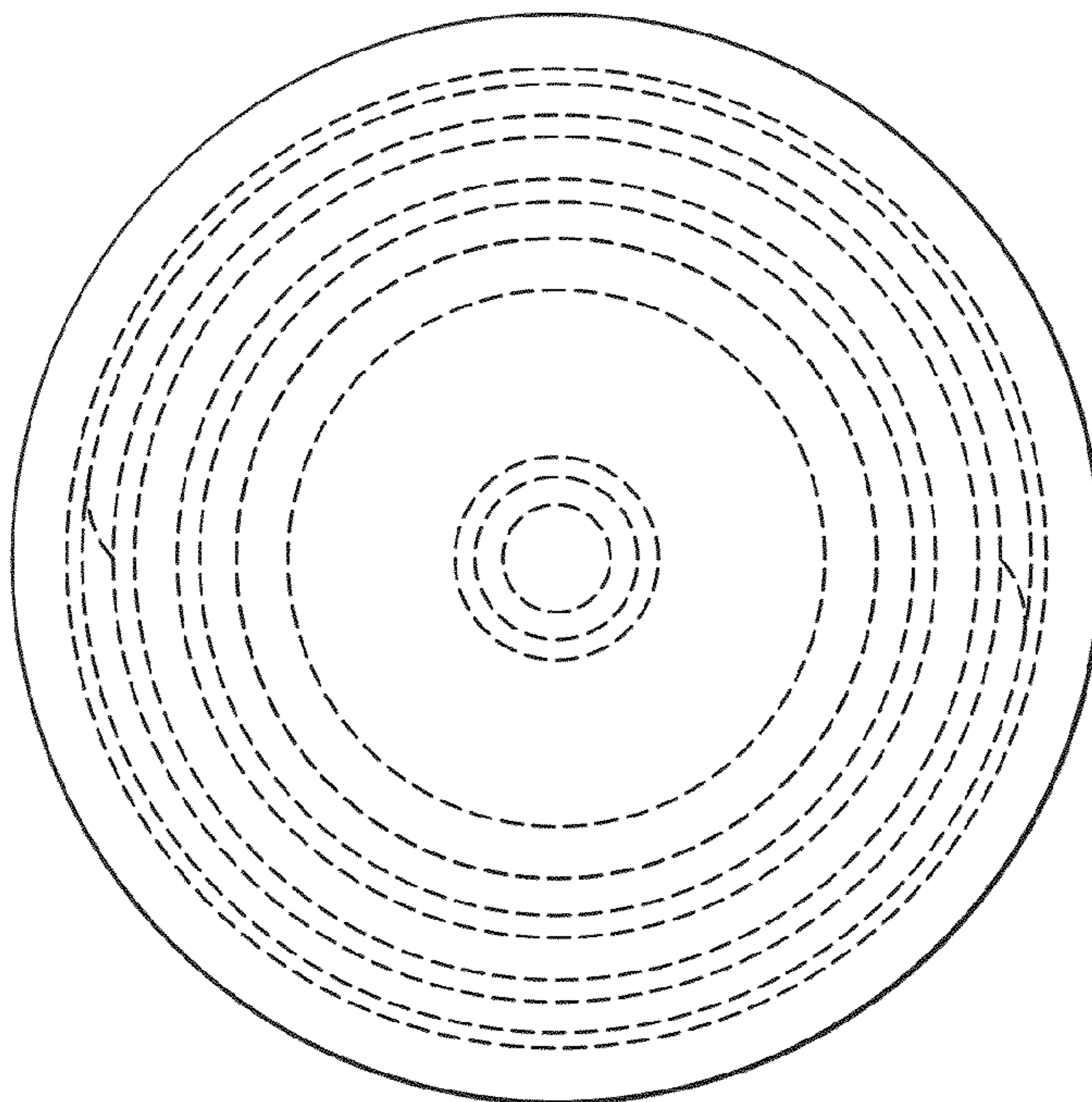


FIG. 7

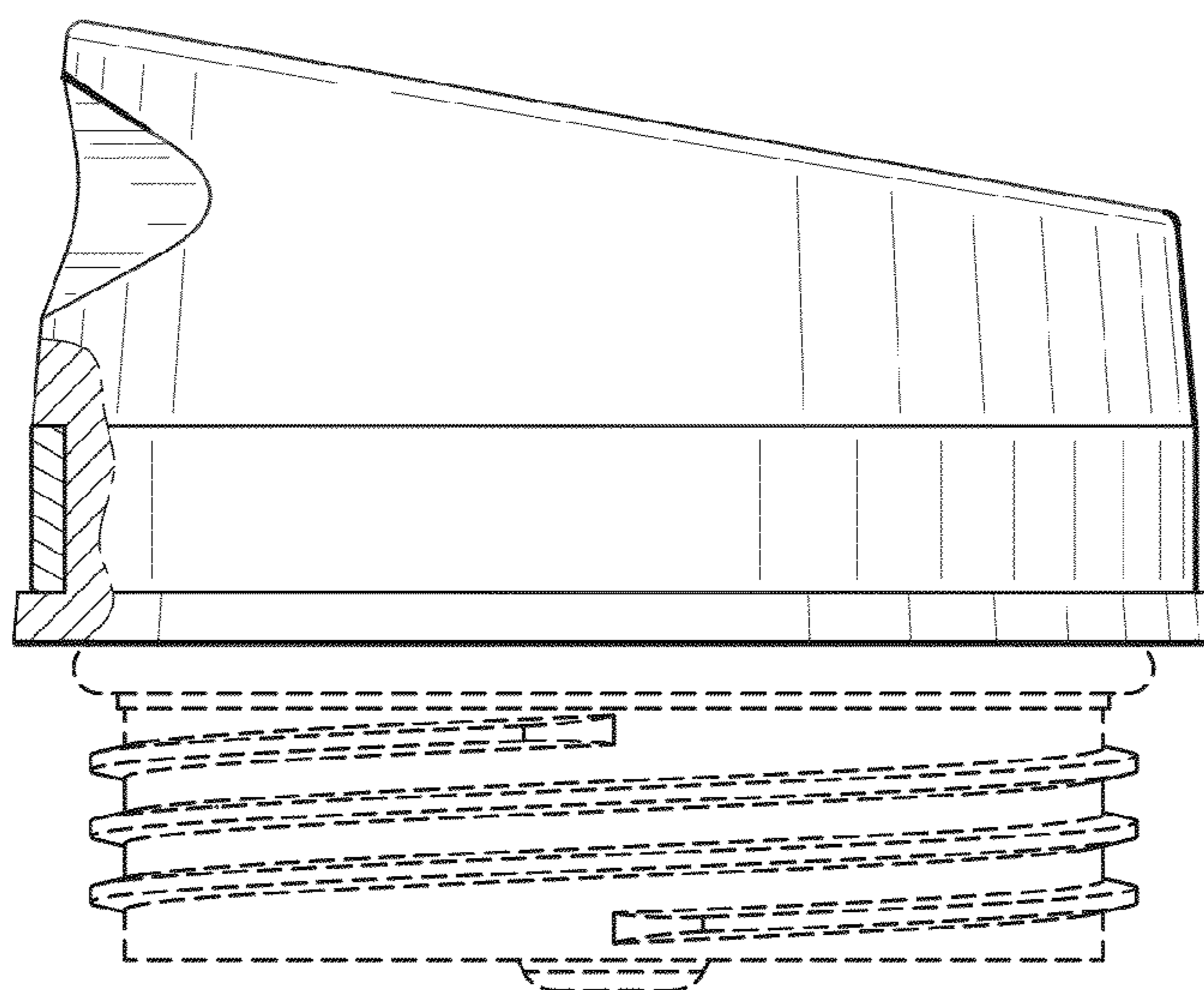


FIG. 8

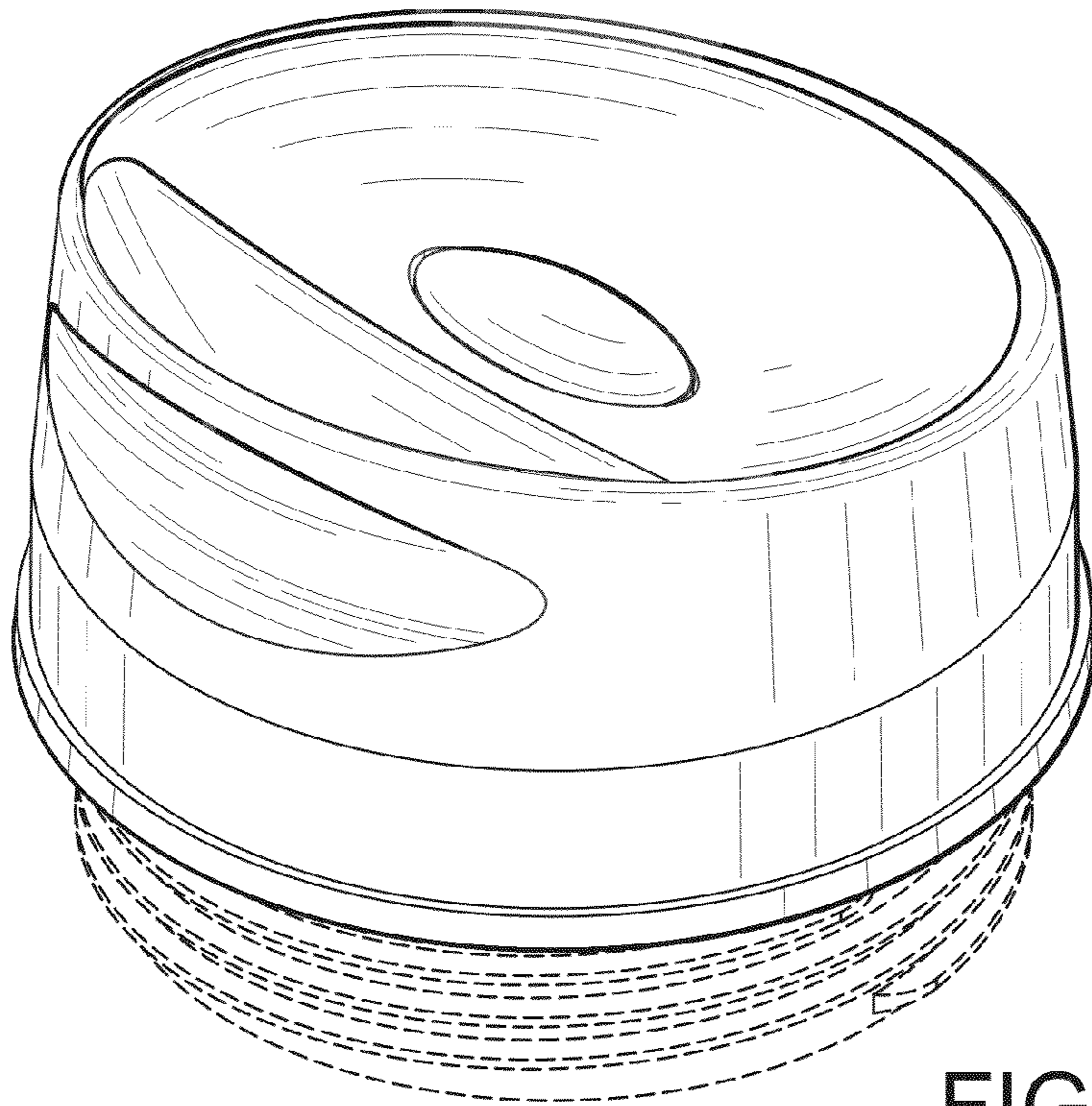


FIG. 9

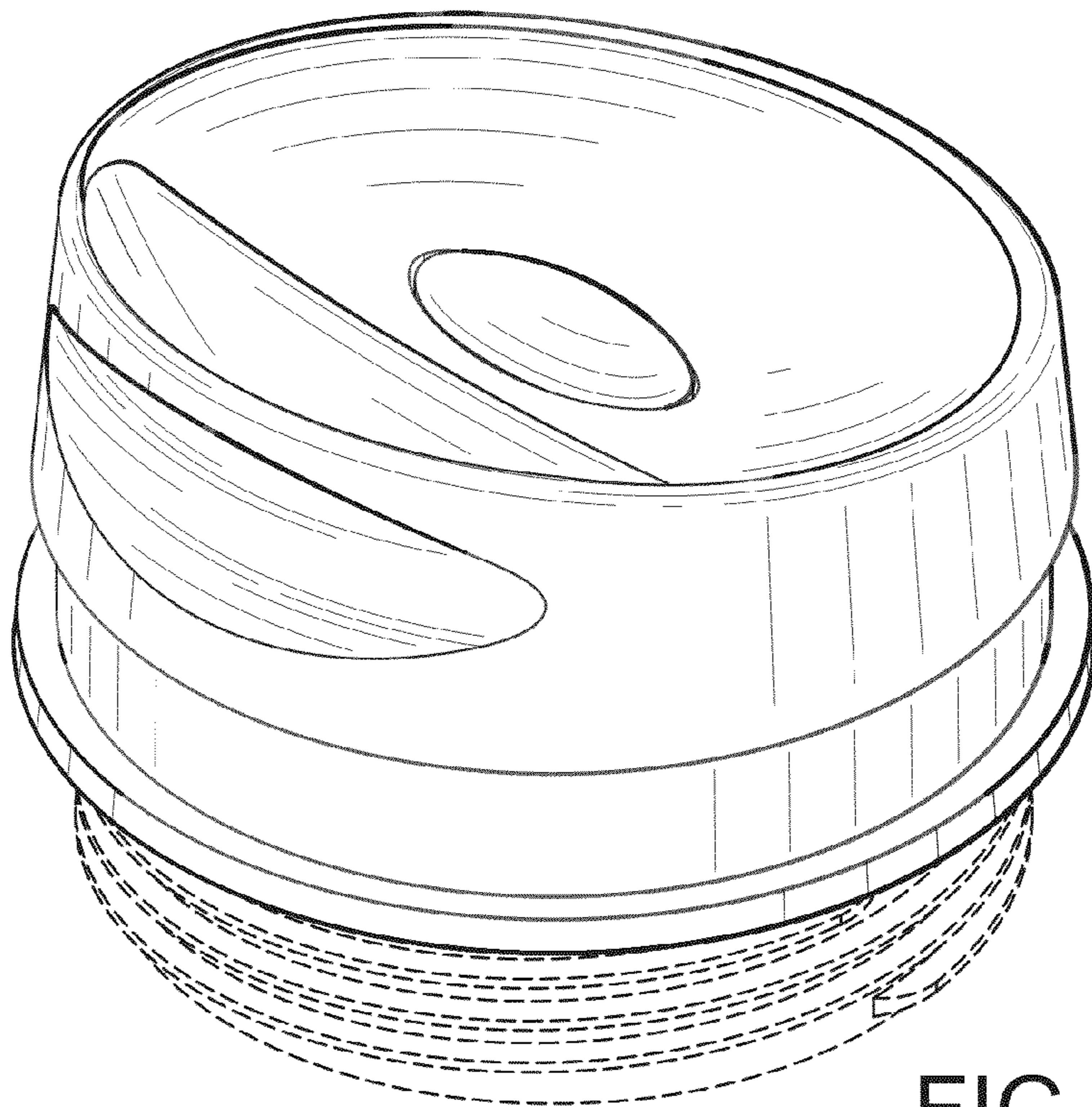


FIG. 10

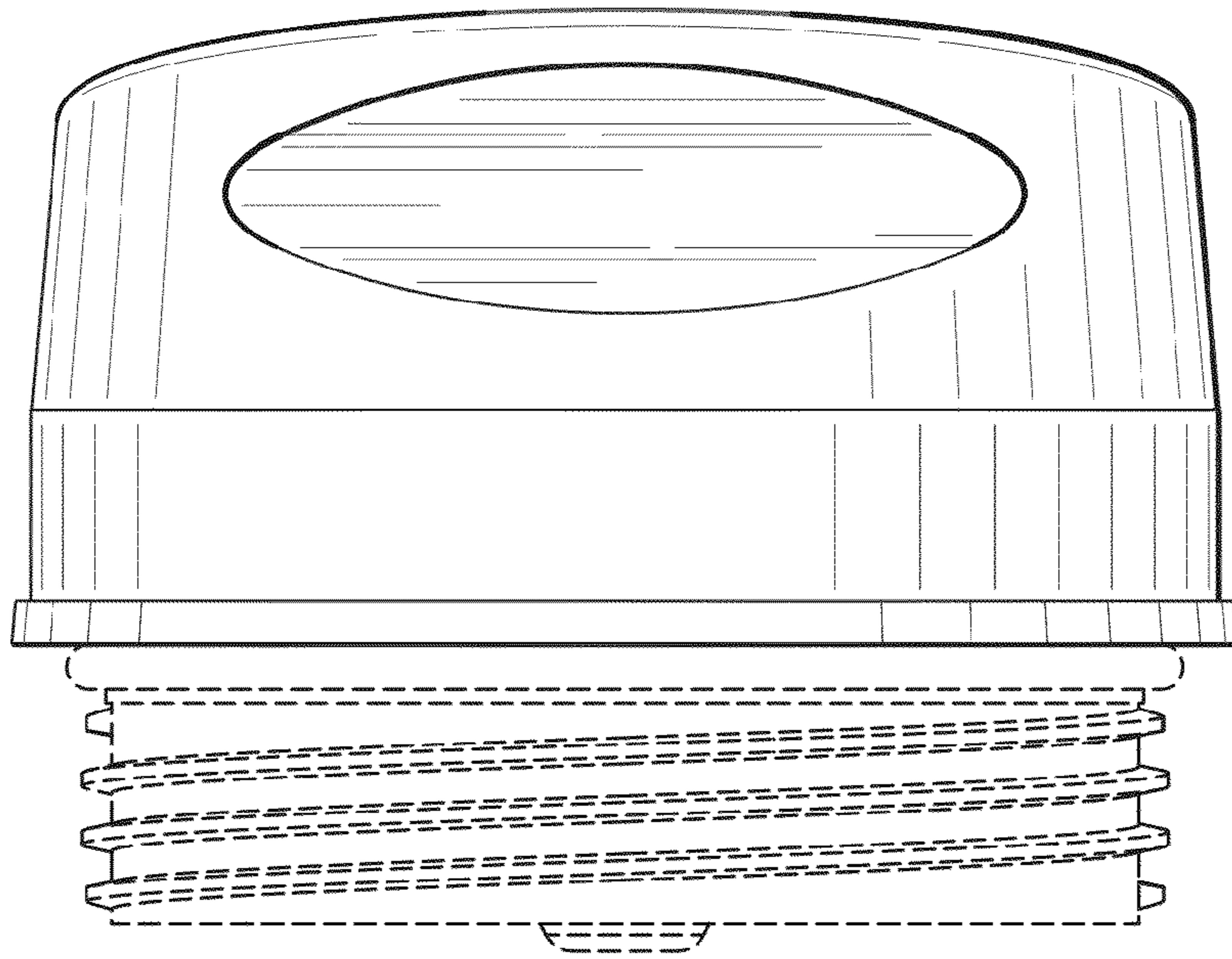


FIG. 11

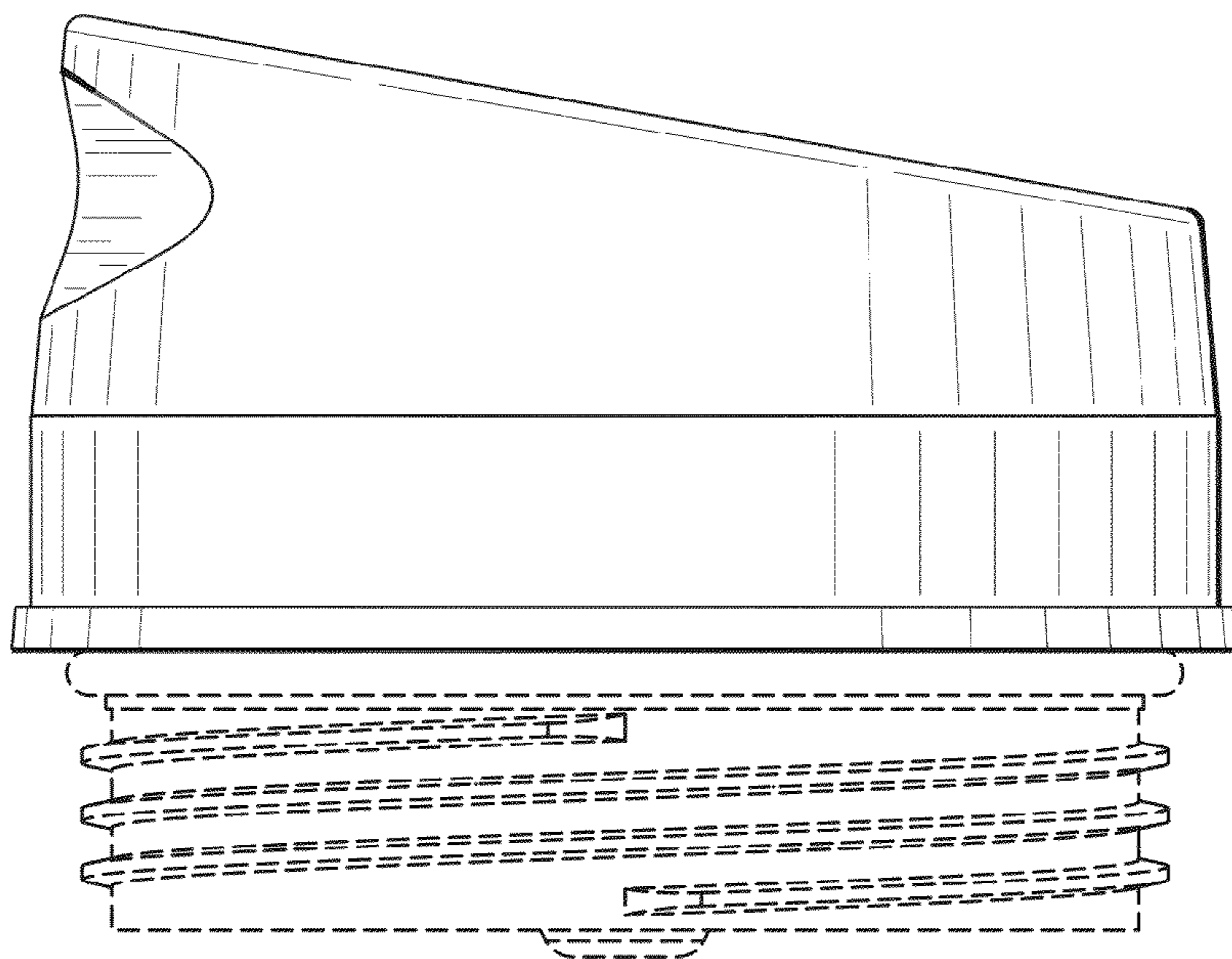


FIG. 12

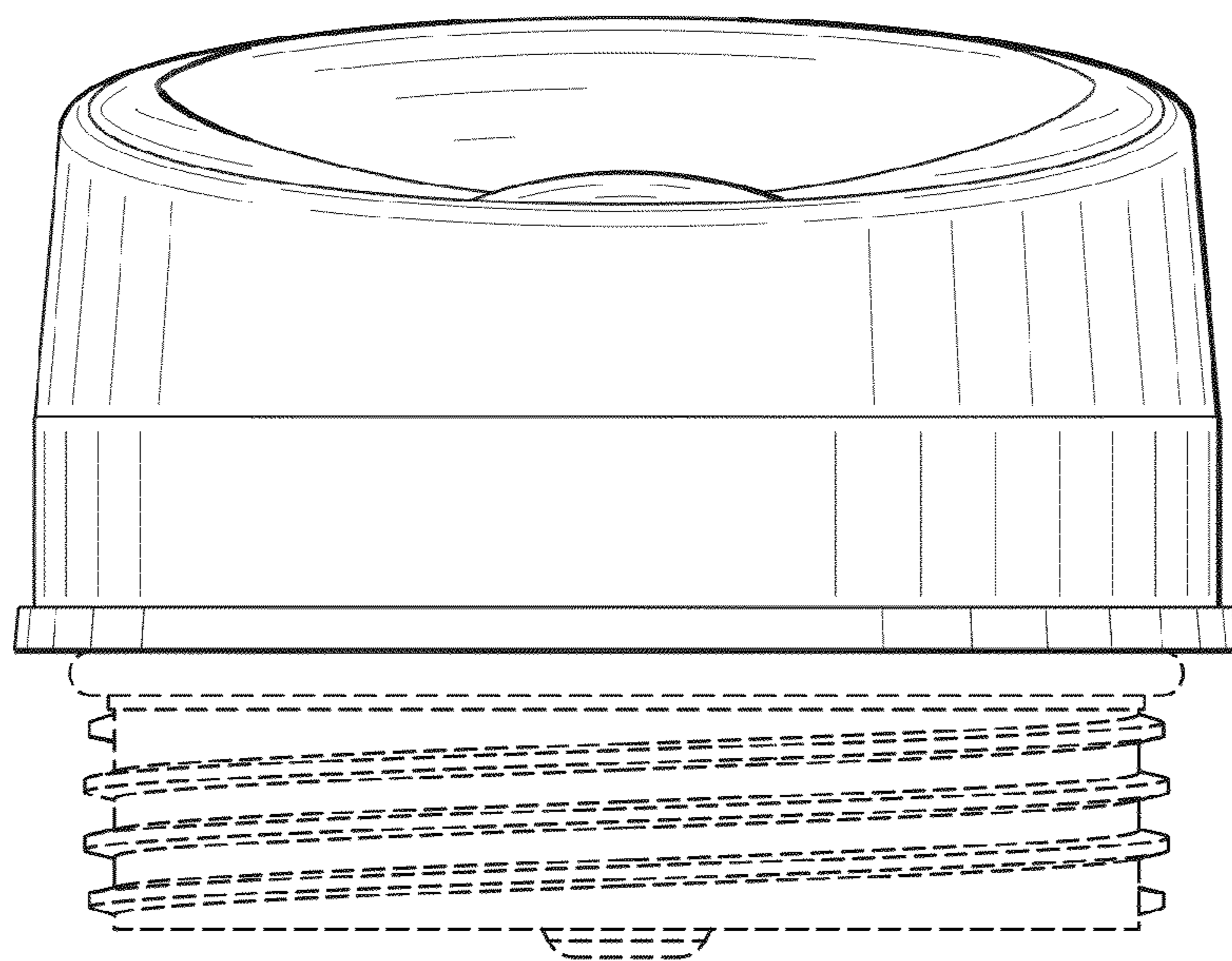


FIG. 13

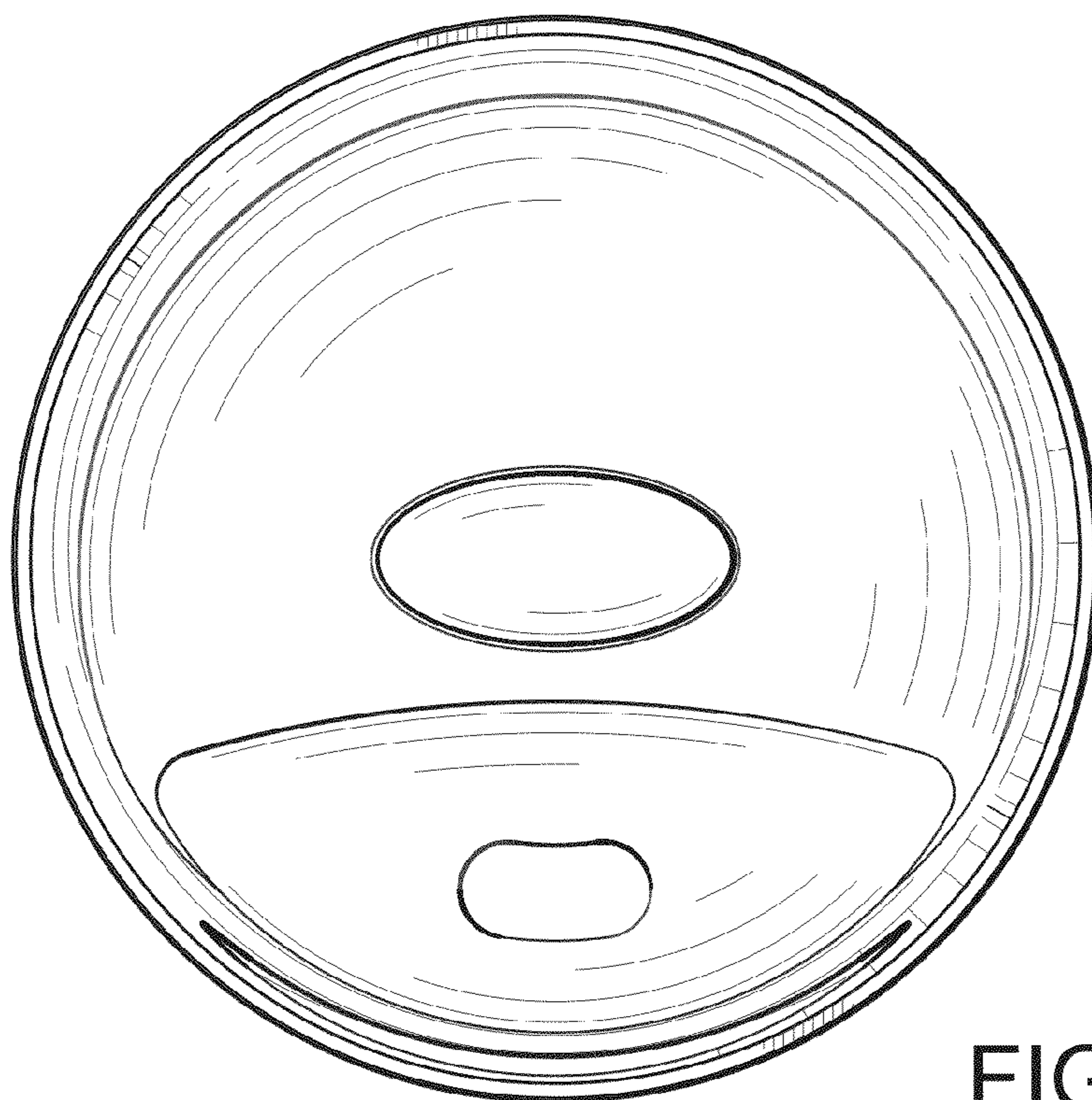


FIG. 14

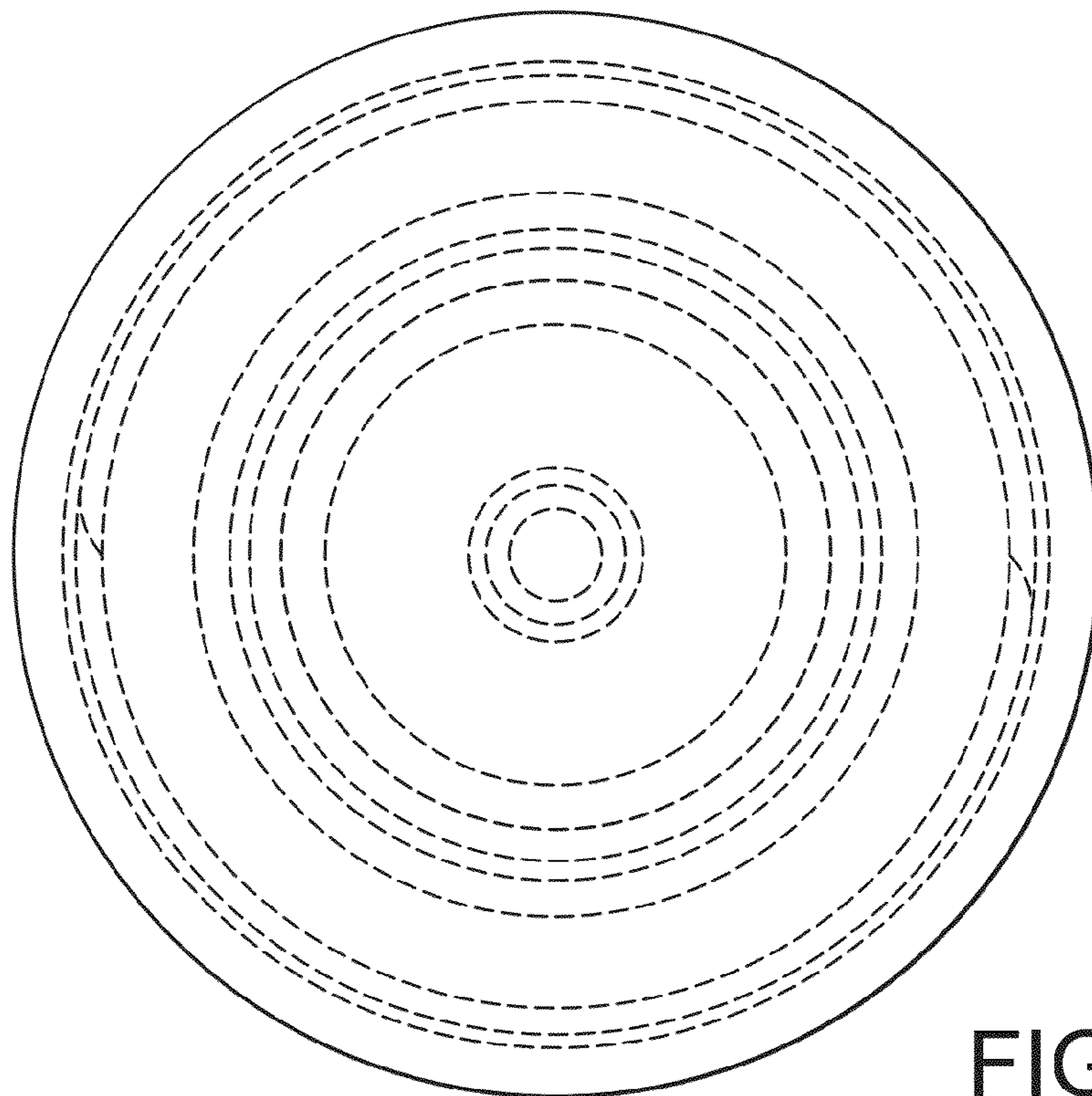


FIG. 15

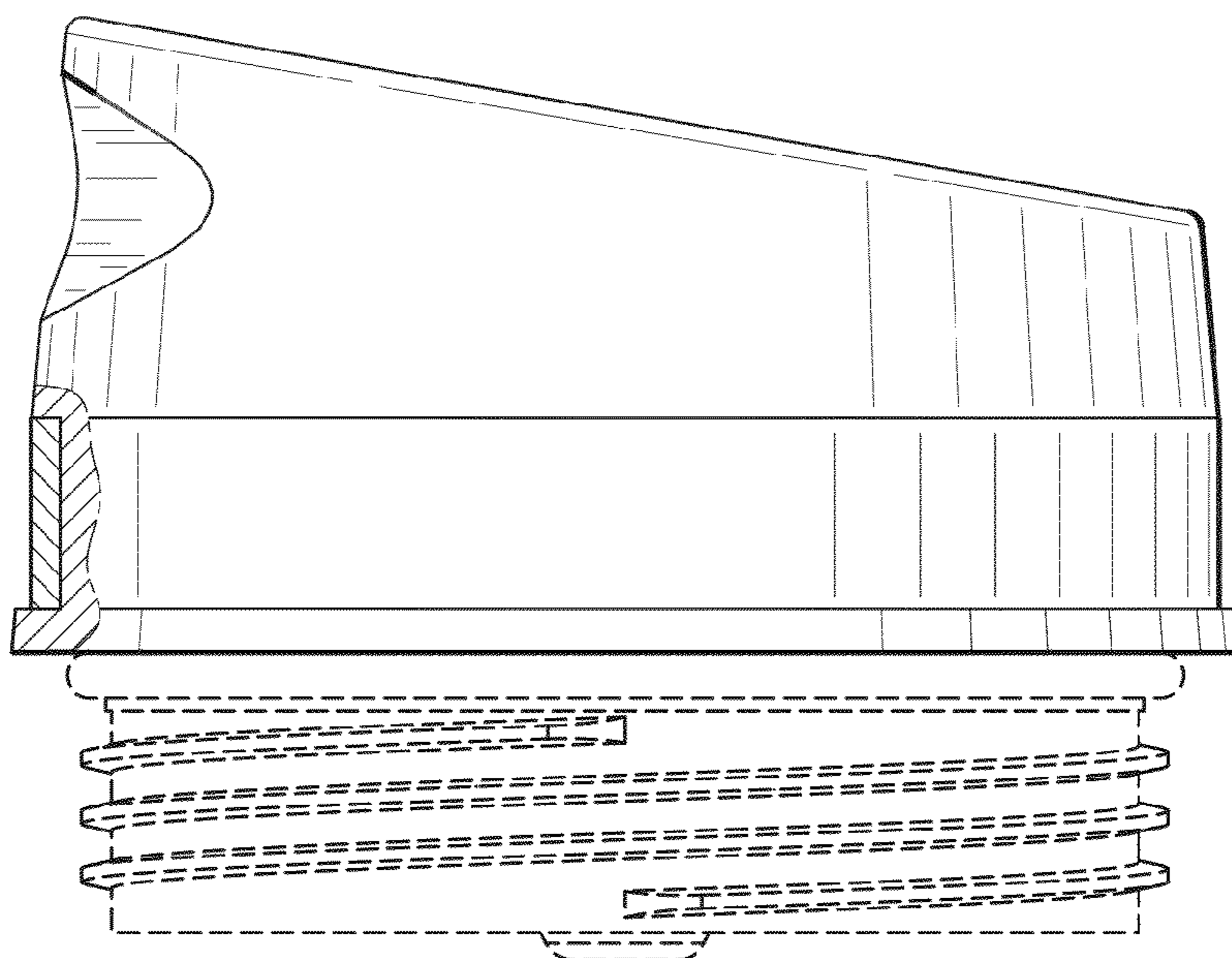


FIG. 16