



US00D727092S

(12) **United States Design Patent**
Rudisill et al.

(10) **Patent No.:** **US D727,092 S**
(45) **Date of Patent:** **** Apr. 21, 2015**

(54) **CUP LID WITH NOVELTY STRAW**

(71) Applicants: **L. Edwin Rudisill**, Greer, SC (US);
Cathy L. Rudisill, Greer, SC (US)

(72) Inventors: **L. Edwin Rudisill**, Greer, SC (US);
Cathy L. Rudisill, Greer, SC (US)

(**) Term: **14 Years**

(21) Appl. No.: **29/449,917**

(22) Filed: **Mar. 15, 2013**

(51) **LOC (10) CI.** **07-01**

(52) **U.S. Cl.**
USPC **D7/396.2; D7/392.1**

(58) **Field of Classification Search**
USPC D7/300, 300.2, 391, 392, 392.1, 396.1,
D7/397, 398, 500, 507, 509, 510, 511, 514,
D7/516; D9/434, 435, 436, 440-443, 447,
D9/450-452, 454, 520, 668, 682; D34/4;
215/200, 217, 222, 223, 229, 235, 236,
215/252, 254, 329, 238, 243, 305, 316-323,
215/355-364; 222/553, 566, 568, 570
See application file for complete search history.

(56) **References Cited**

U.S. PATENT DOCUMENTS

2,546,122 A * 3/1951 Goldfarb 446/72
D262,083 S * 12/1981 Adamo D7/392.1
D288,064 S * 2/1987 Gager D9/436
D424,376 S * 5/2000 Malusek D7/511
D448,971 S * 10/2001 Hughes D7/392.1
D471,060 S * 3/2003 Salsman D7/392.1

D475,295 S * 6/2003 Love D9/451
D650,275 S * 12/2011 Dunwoody D9/435
D670,960 S * 11/2012 Rudisill, Jr. D7/392.1
D670,961 S * 11/2012 Rudisill, Jr. D7/392.1
D670,962 S * 11/2012 Rudisill, Jr. D7/392.1
D670,964 S * 11/2012 Rudisill D7/392.1
D677,980 S * 3/2013 Levin D7/392

* cited by examiner

Primary Examiner — Robert M Spear

Assistant Examiner — Marissa J Cash

(74) *Attorney, Agent, or Firm* — Sara C. Kanos; Nexsen
Pruet, LLC

(57) **CLAIM**

We claim the ornamental design for a cup lid with novelty
straw, as described.

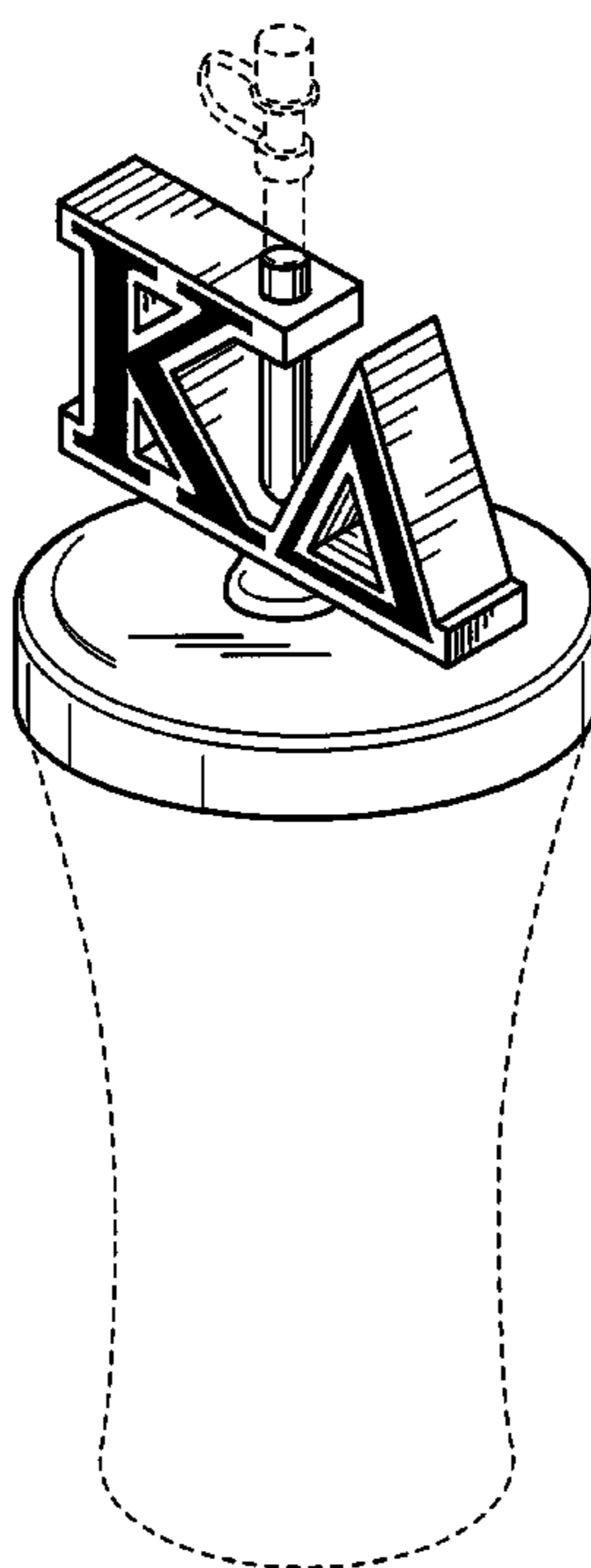
DESCRIPTION

FIG. 1 is a front perspective of a cup lid with novelty straw
showing our new design;
FIG. 2 is a rear perspective thereof;
FIG. 3 is a front elevation view thereof;
FIG. 4 is a rear elevation view thereof;
FIG. 5 is a right side elevation view thereof;
FIG. 6 is a left side elevation view thereof;
FIG. 7 is a top view thereof; and,
FIG. 8 is a bottom view thereof.

The broken lines in the drawings represent unclaimed envi-
ronmental subject matter and form no part of the claim.

The KD logo forming part of the claimed design is a regis-
tered trademark of the Kappa Delta Sorority.

1 Claim, 7 Drawing Sheets



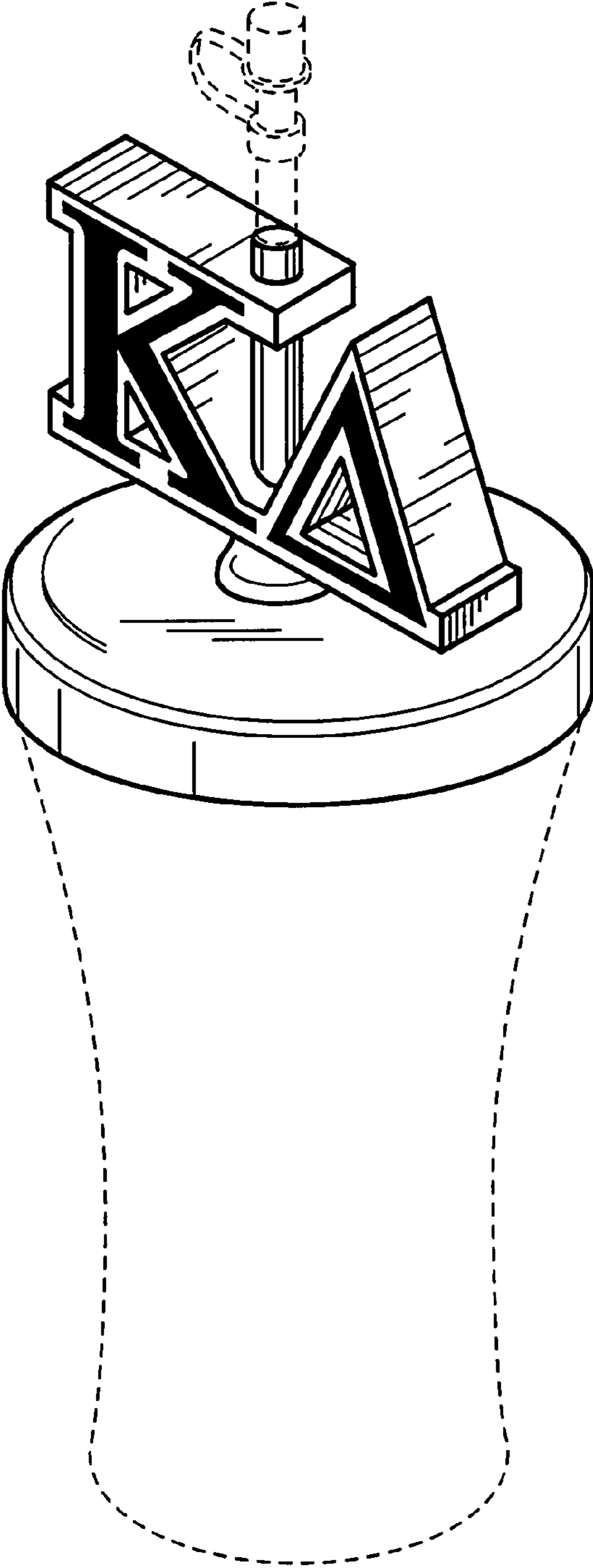


FIG.1

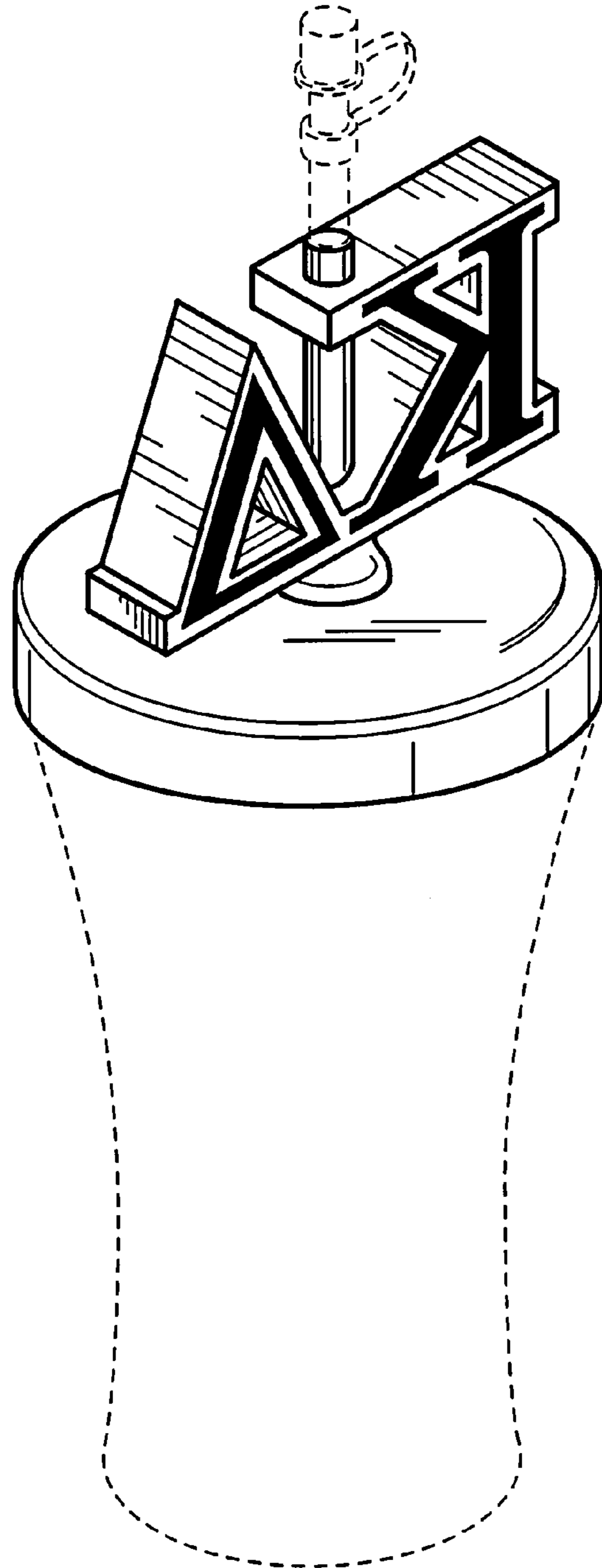


FIG.2

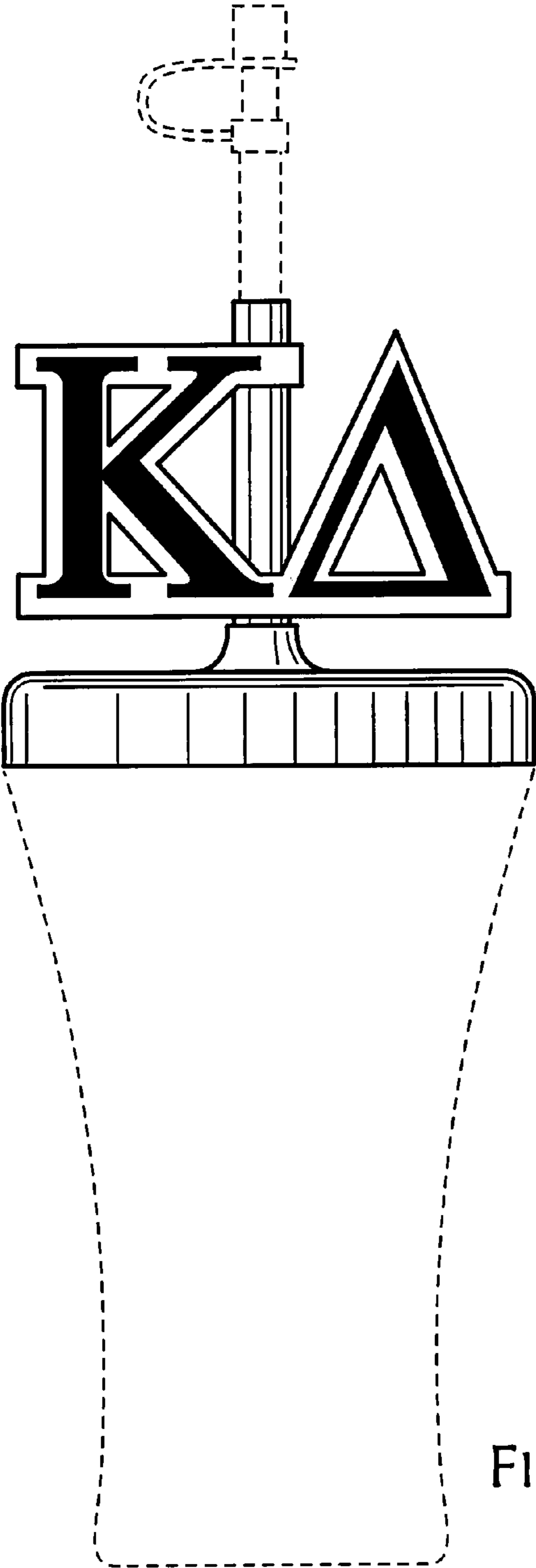


FIG.3

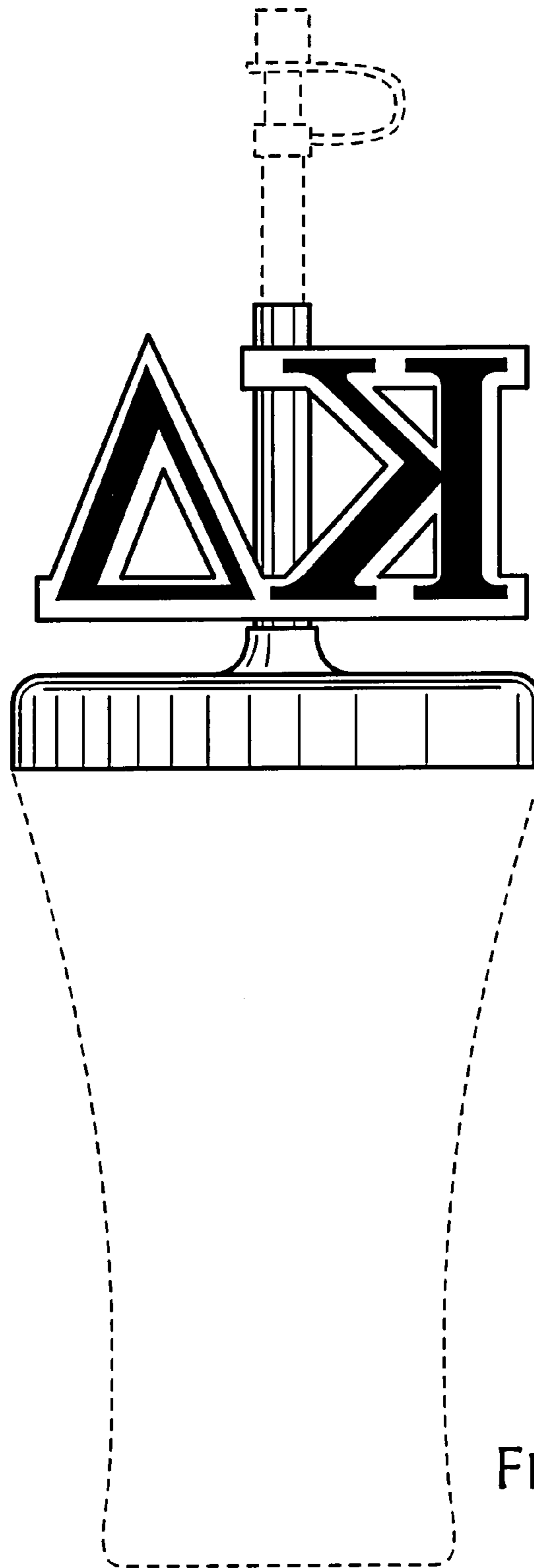


FIG.4

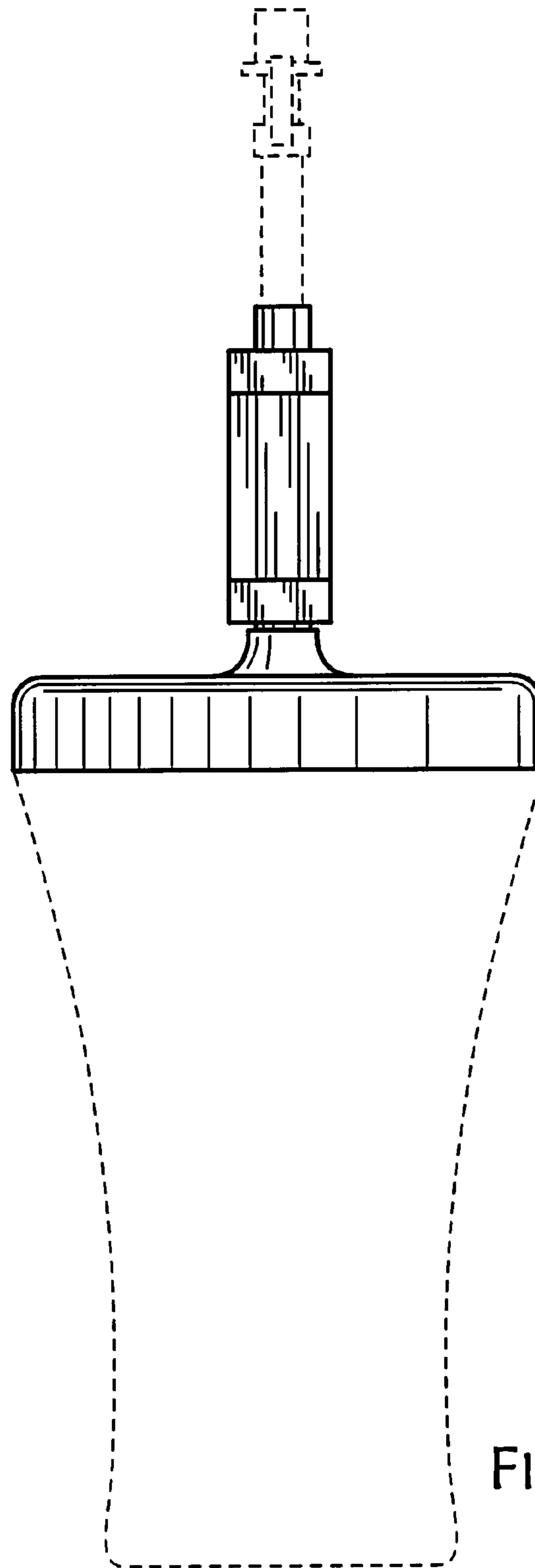


FIG.5

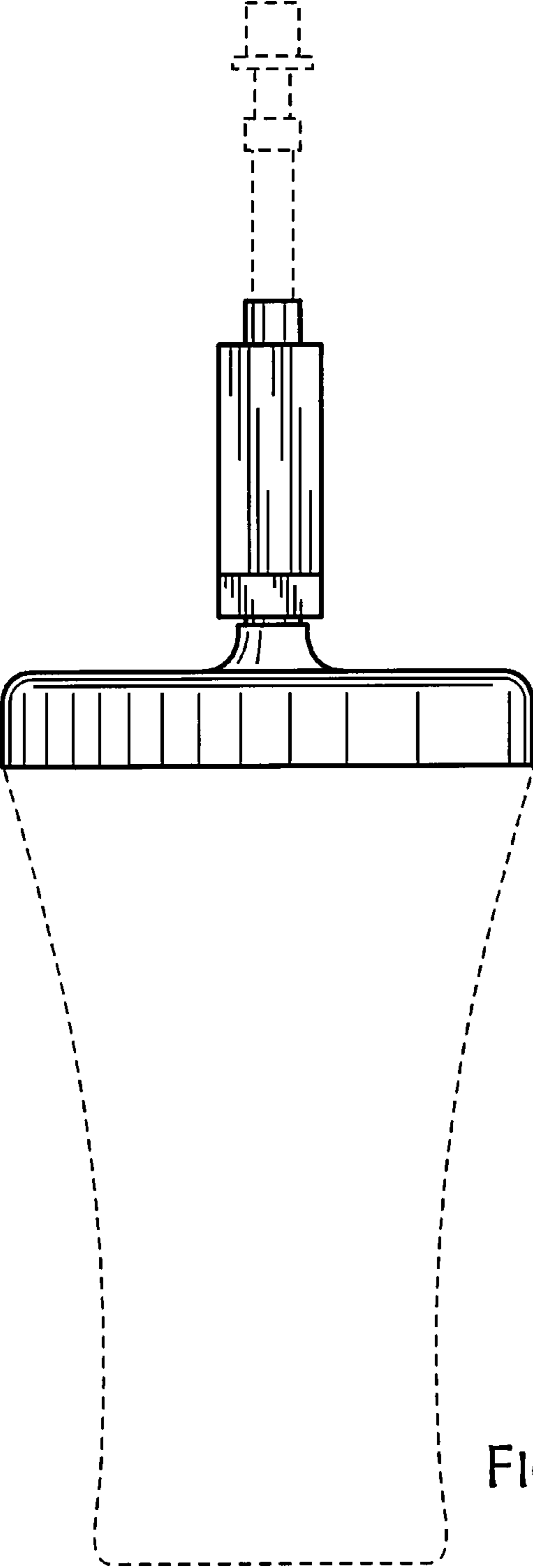


FIG.6

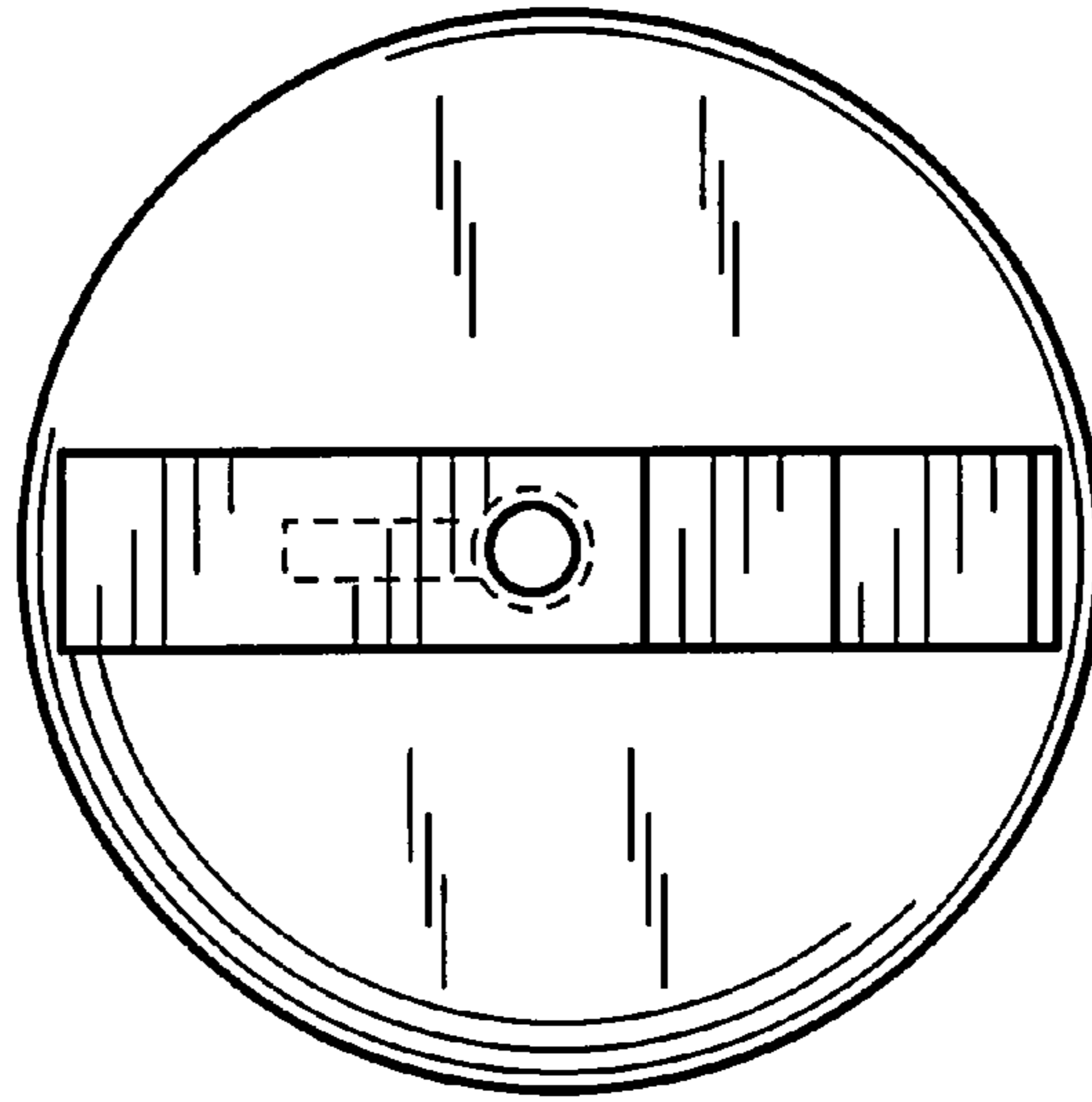


FIG. 7

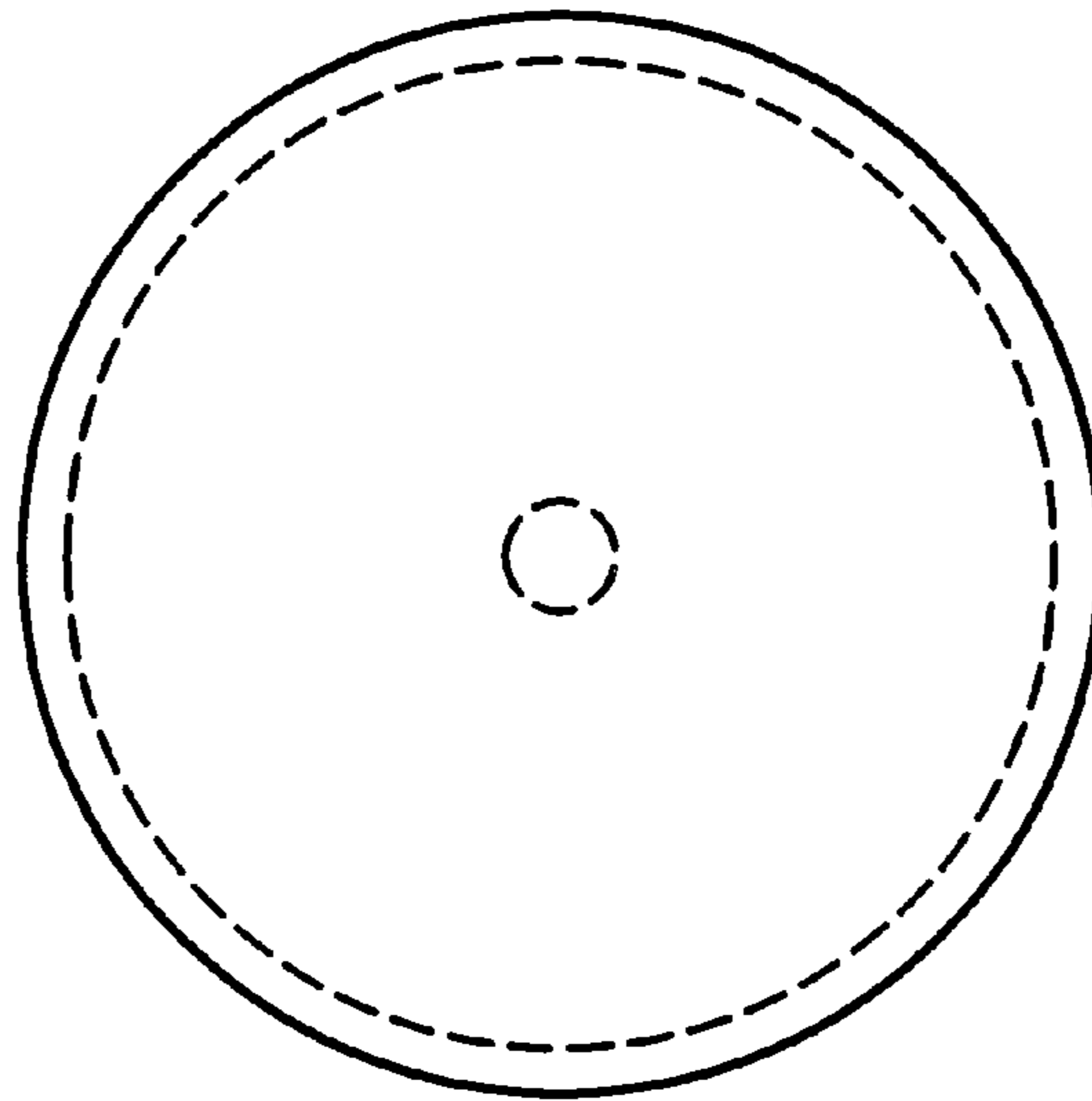


FIG. 8