



US00D727090S

(12) **United States Design Patent**
St. Jacques

(10) **Patent No.:** **US D727,090 S**
(45) **Date of Patent:** **** Apr. 21, 2015**

(54) **DEVICE FOR STABILIZING AN OBJECT**

(71) Applicant: **Staybowlizer Inc.**, Ottawa (CA)

(72) Inventor: **Stefan St. Jacques**, Ottawa (CA)

(73) Assignee: **Staybowlizer Inc.**, Ottawa (CA)

(**) Term: **14 Years**

(21) Appl. No.: **29/472,504**

(22) Filed: **Nov. 13, 2013**

(30) **Foreign Application Priority Data**

May 17, 2013 (EM) 001371678

(51) **LOC (10) Cl.** **07-99**

(52) **U.S. Cl.**
USPC **D7/388**; D7/387; D7/558

(58) **Field of Classification Search**
CPC B65D 25/00; A47G 19/22
USPC D7/387, 388, 389, 392, 392.1, 398, 400,
D7/401, 300, 300.1, 323, 514, 396.2, 532,
D7/531, 525, 526, 528, 511, 509, 523, 510,
D7/533, 605, 602, 558, 549, 368; D8/354;
D9/746; 220/737, 718, 642, 758, 769,
220/574, 912, 592, 495; 206/216, 5;
426/88; D21/398; 248/902; 351/158

See application file for complete search history.

(56) **References Cited**

U.S. PATENT DOCUMENTS

D110,902 S *	8/1938	Loesch	D7/558
D303,608 S *	9/1989	Liwski	D7/402
D348,590 S *	7/1994	Scott	D7/682
D355,792 S *	2/1995	White	D6/450
D357,170 S *	4/1995	Wellsfry	D8/349
D395,195 S *	6/1998	Heiberg et al.	D7/391
D409,448 S *	5/1999	Hudson et al.	D7/543
D422,180 S *	4/2000	Sundberg	D7/545
D448,619 S *	10/2001	Pau	D7/503

D466,256 S *	11/2002	Kaplan	D30/129
6,530,661 B1 *	3/2003	Vorhis	351/158
6,688,485 B1 *	2/2004	Lauer et al.	220/574
D513,375 S *	1/2006	Rocha	D7/558
D530,846 S *	10/2006	Izardel	D26/94
D533,394 S *	12/2006	Chiang et al.	D7/368
D534,283 S *	12/2006	Adams et al.	D26/9
D547,600 S *	7/2007	Chiang et al.	D7/368
D548,017 S *	8/2007	Chiang et al.	D7/629
D550,041 S *	9/2007	Rush et al.	D7/542
D612,564 S *	3/2010	Comley	D34/35

(Continued)

OTHER PUBLICATIONS

“http://www.core77.com/blog/object_culture/designing_things_to_hold_other_things_the_staybowlizer_for_commercial_kitchens_24299.asp” Posted by Hipstomp/Rain Noe on Jan. 31, 2013.*

Primary Examiner — Marianne Pandozzi

Assistant Examiner — Jae Liang

(74) *Attorney, Agent, or Firm* — Julie A. Haut; Michael Best & Friedrich LLP

(57) **CLAIM**

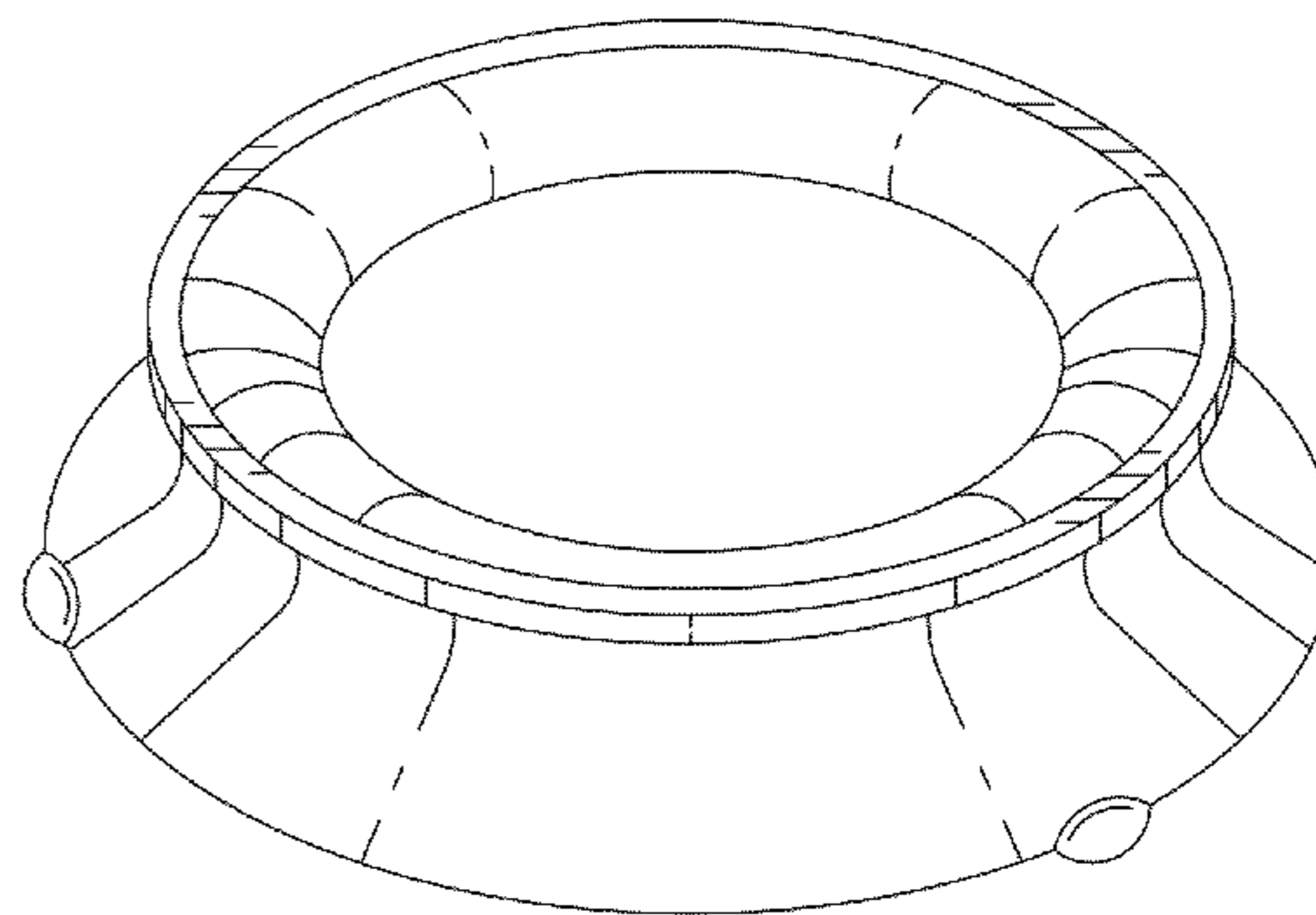
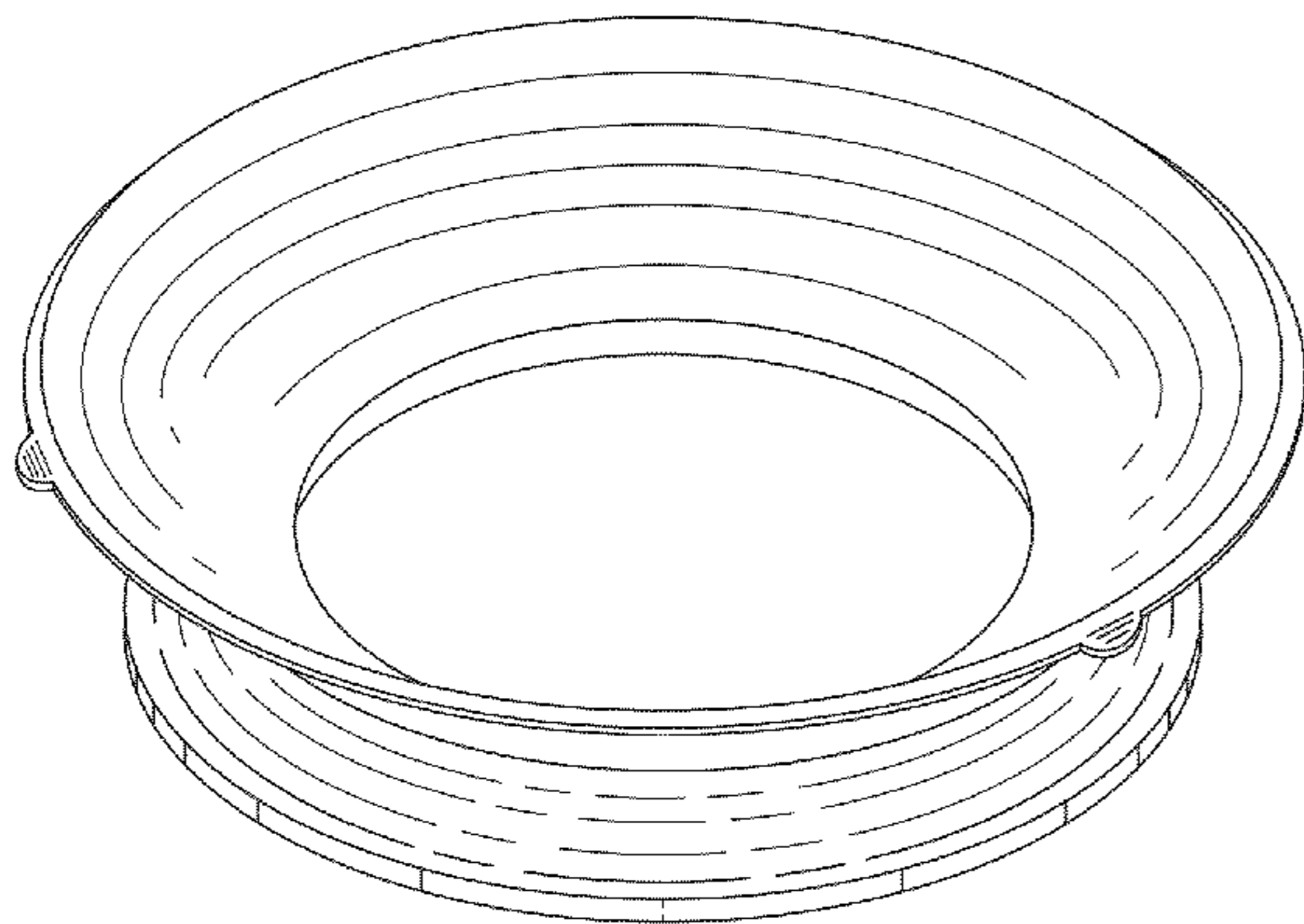
The ornamental design for a device for stabilizing an object, as shown and described.

DESCRIPTION

FIG. 1 is an elevation view of a device for stabilizing an object in a first position for use;
FIG. 2 is a top view thereof;
FIG. 3 is a bottom view thereof;
FIG. 4 is a side view thereof;
FIG. 5 is a perspective view of thereof;
FIG. 6 is an elevation view of a device for stabilizing an object in a second position for use; and,
FIG. 7 is a perspective view thereof.

The elements shown in broken lines are included for the purpose of illustrating environment and form no part of the claimed design.

1 Claim, 4 Drawing Sheets



(56)

References Cited

U.S. PATENT DOCUMENTS

D615,363 S *	5/2010	Lion et al.	D7/524	D709,559 S *	7/2014	Baumann et al.	D21/398
D618,513 S *	6/2010	Wolhendler	D7/586	D714,126 S *	9/2014	Pyon et al.	D8/349
D670,451 S *	11/2012	Able	D30/129	D717,123 S *	11/2014	Epstein	D7/603
D676,710 S *	2/2013	Kwok	D7/544	D717,589 S *	11/2014	Harshman	D7/392.1
				2012/0017837 A1 *	1/2012	Crawford	119/61.1
				2013/0320164 A1 *	12/2013	Pyon et al.	248/206.3
				2014/0326723 A1 *	11/2014	Scharfe et al.	220/23.83

* cited by examiner

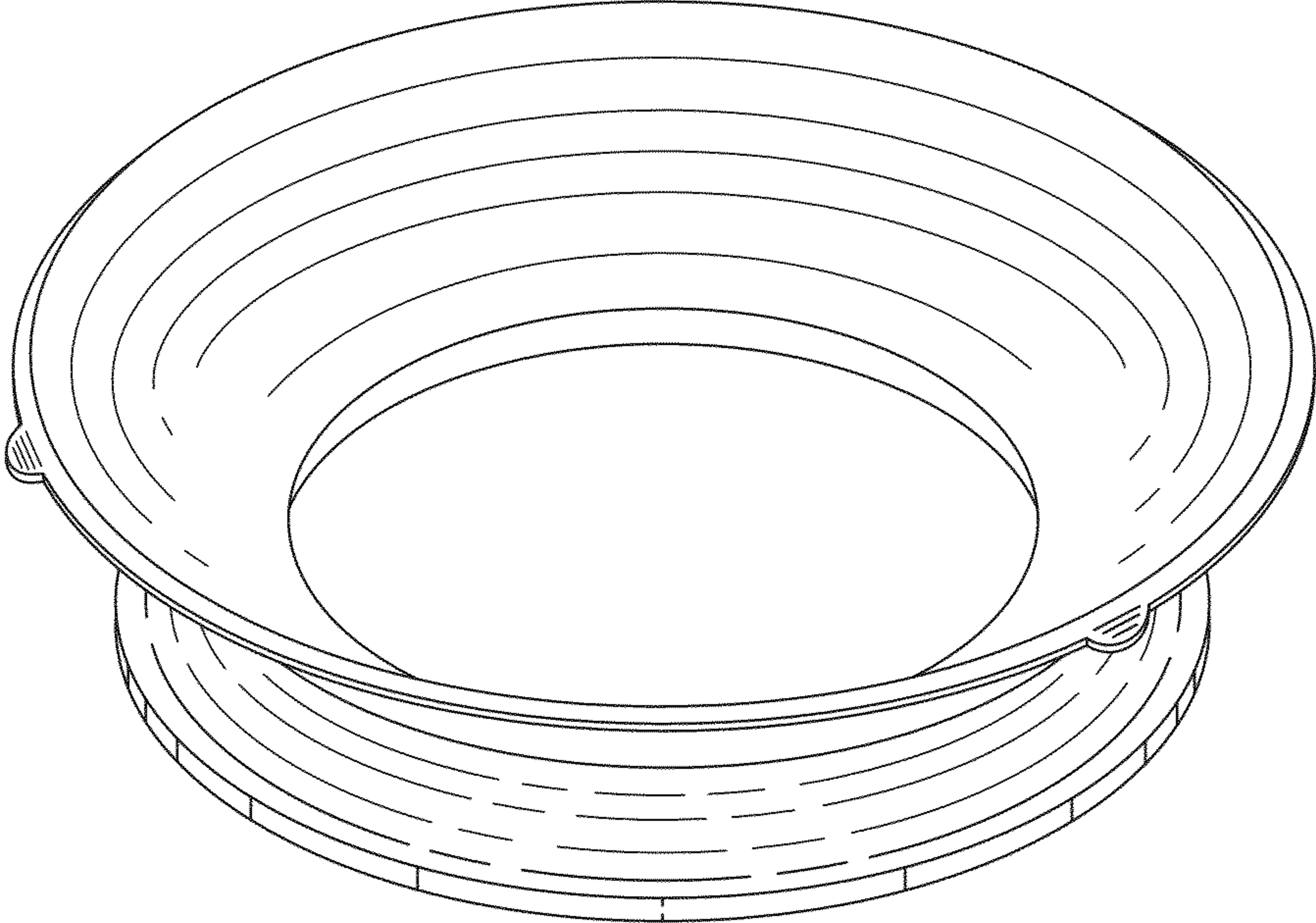


FIG. 1

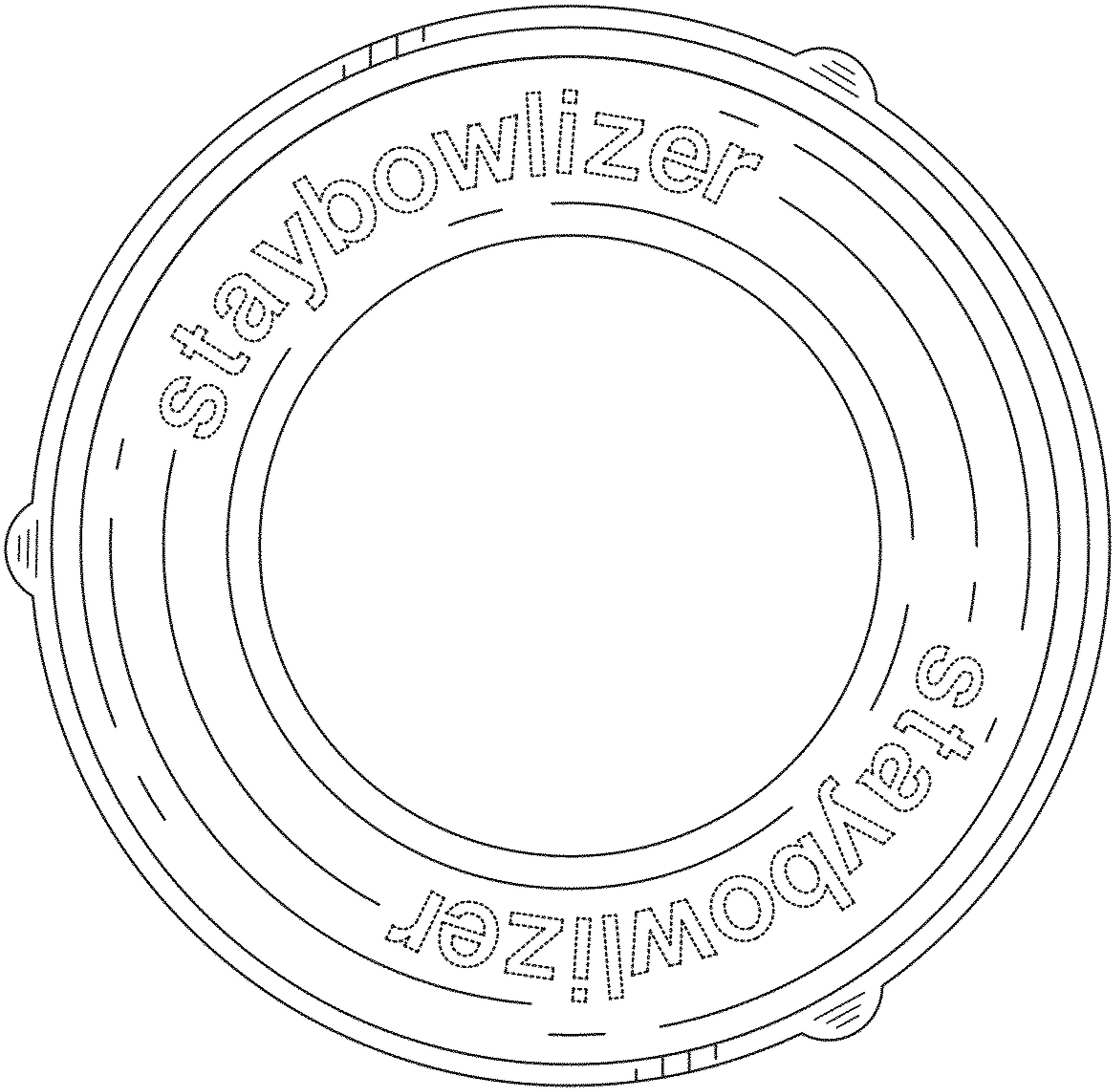


FIG. 2

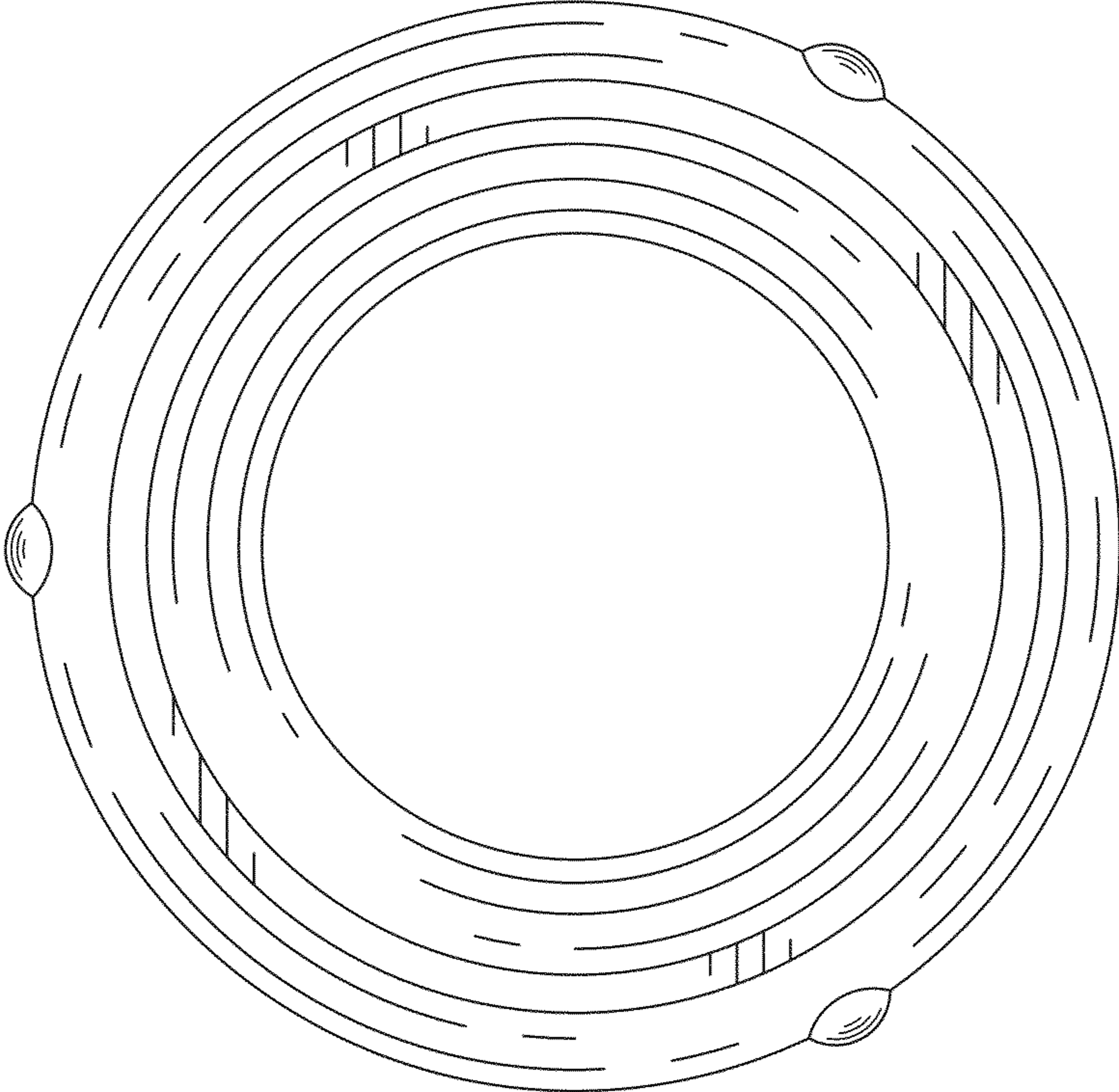


FIG. 3

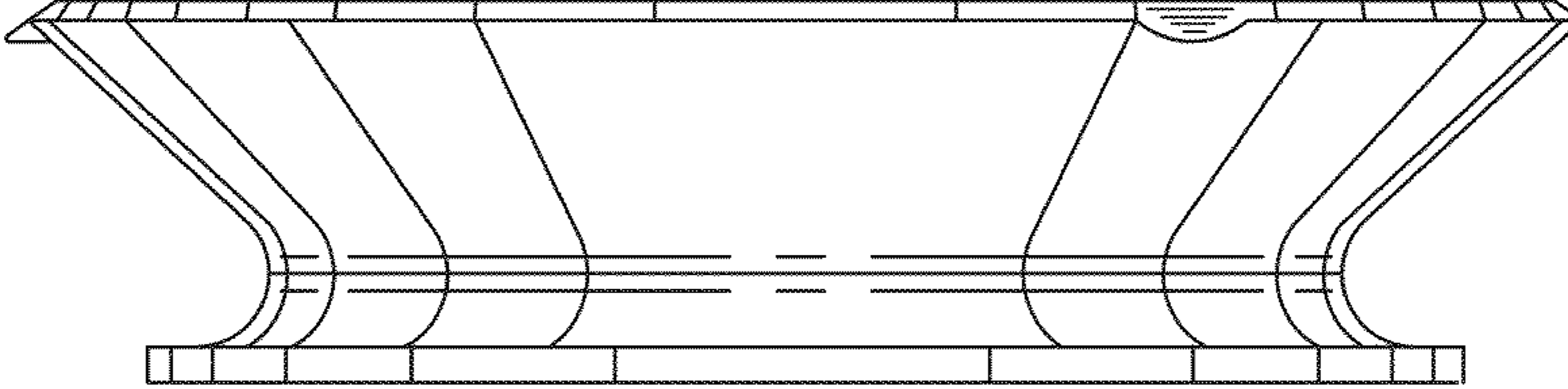


FIG. 4

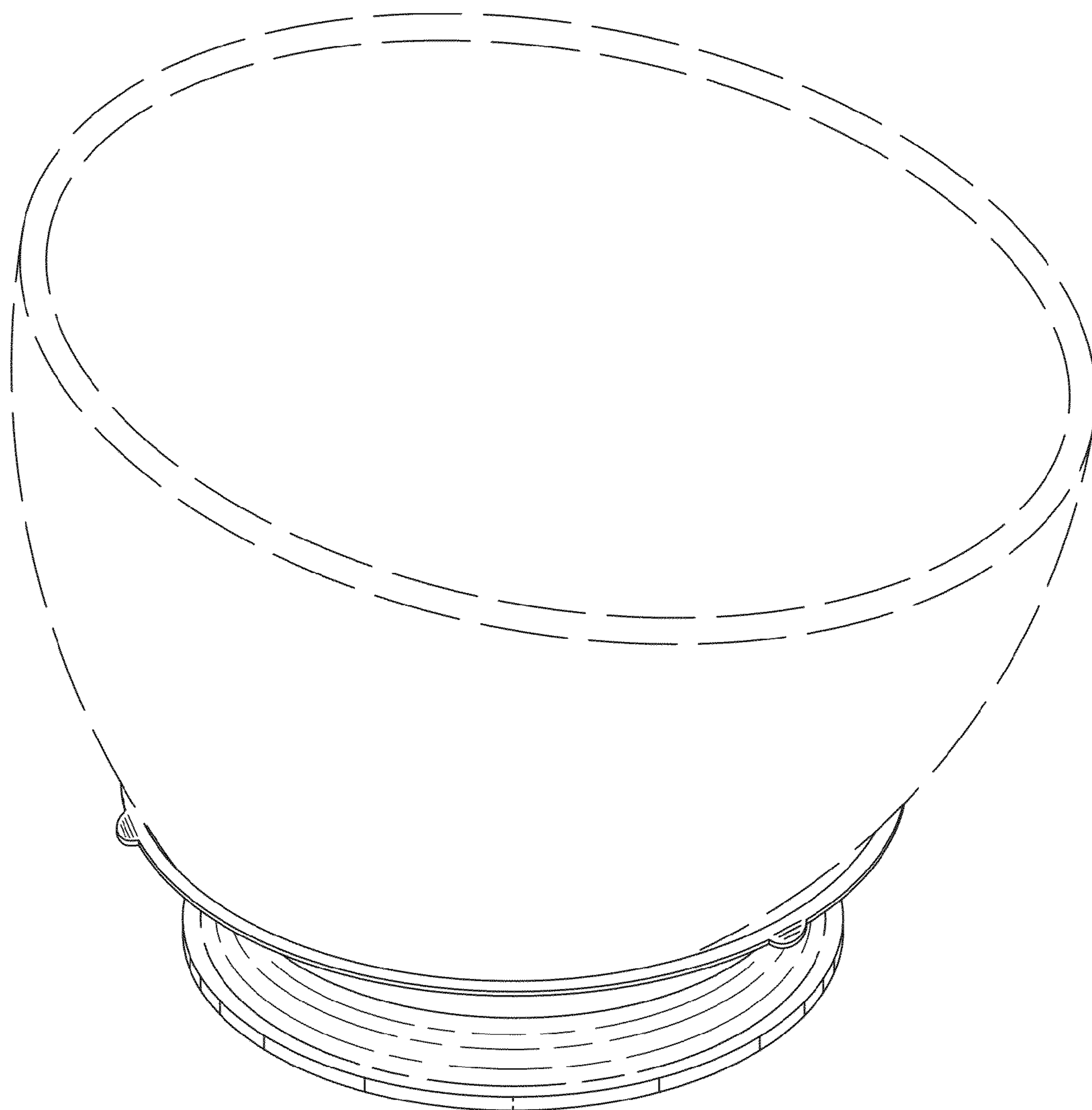


FIG. 5

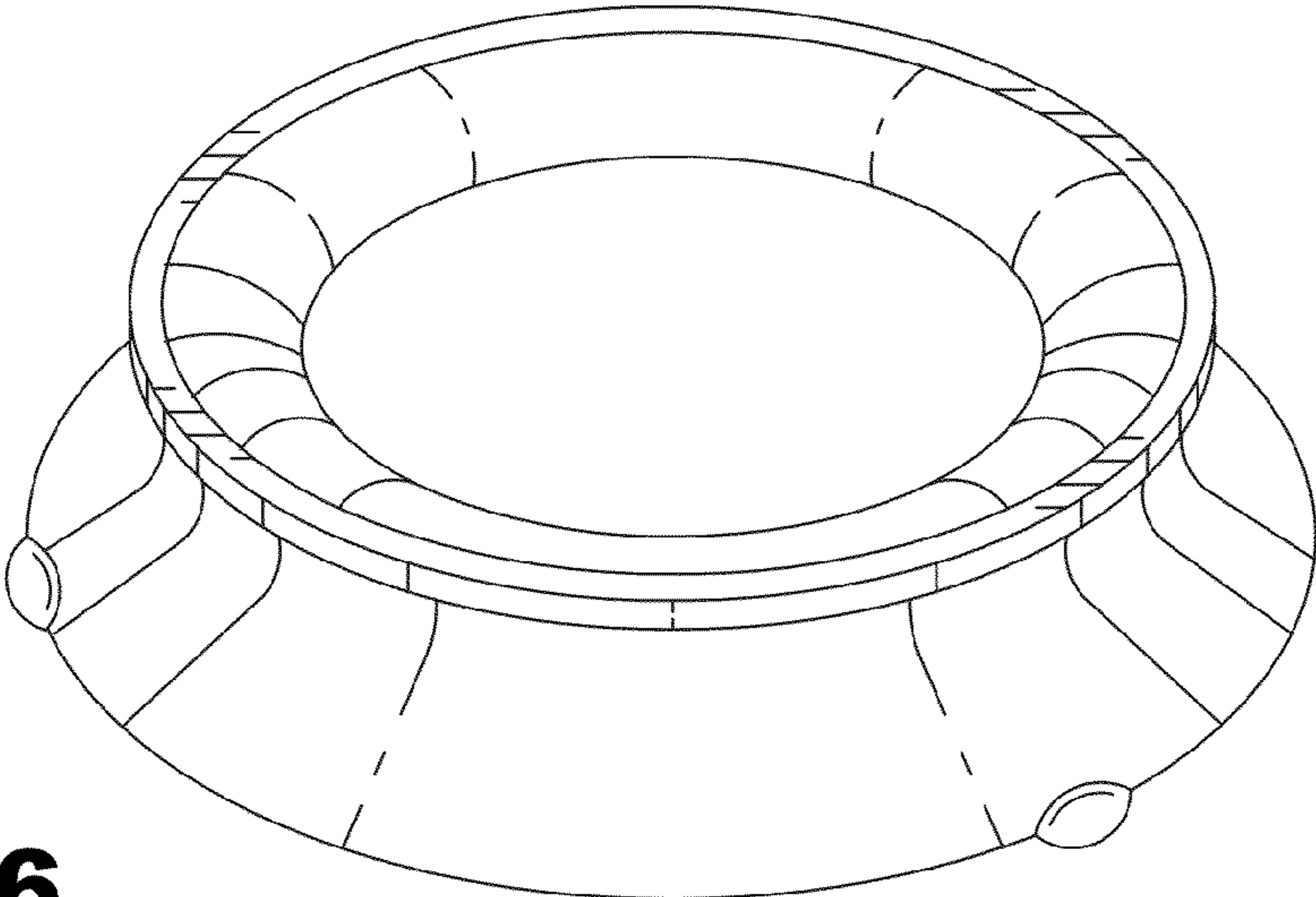


FIG. 6

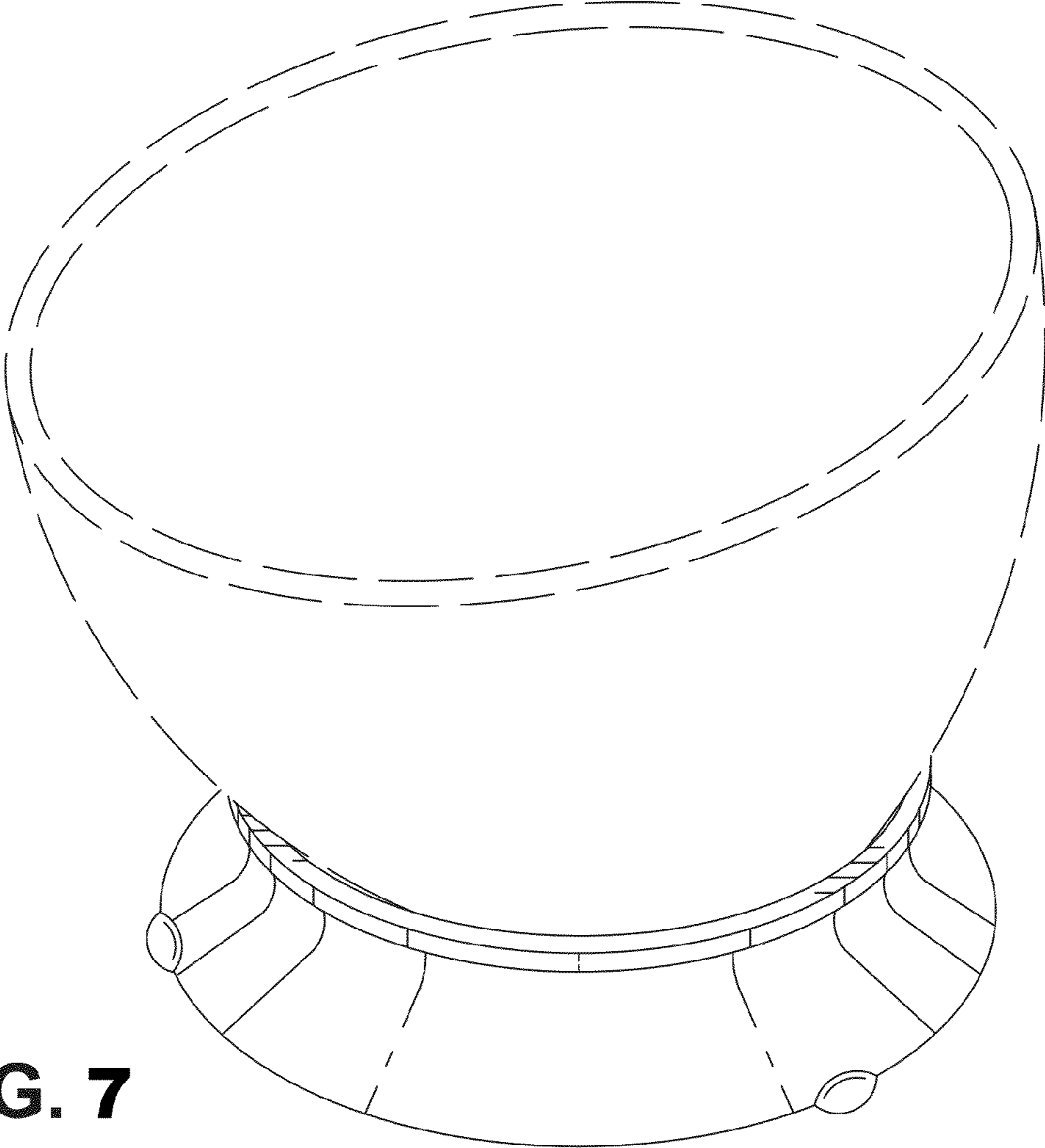


FIG. 7