



US00D727087S

(12) **United States Design Patent**
Vu et al.

(10) **Patent No.:** **US D727,087 S**
(45) **Date of Patent:** **** Apr. 21, 2015**

(54) **FOOD STEAMER**

219/440–441, 620–622; 220/203.01,
220/203.07, 303, 573.1–573.5, 752–753,
220/755–759, 912

(71) Applicant: **De’Longhi Braun Household GmbH**,
Neu-Isenburg (DE)

See application file for complete search history.

(72) Inventors: **Duy Phong Vu**, Schwalbach am Taunus
(DE); **Markus Orthey**, Eltville am
Rhein (DE); **Sven Wuttig**, Griesheim
(DE); **Dennis Müller**, Frankfurt am
Main (DE)

(56) **References Cited**

U.S. PATENT DOCUMENTS

D281,214 S *	11/1985	Schaller	D7/356
D297,100 S *	8/1988	Schaller	D7/356
D376,067 S *	12/1996	Littmann	D7/360
D402,848 S *	12/1998	Piret	D7/356
D404,244 S *	1/1999	Jozancy	D7/354
D463,712 S *	10/2002	Josancy	D7/356
D488,951 S *	4/2004	Josancy	D7/356
D490,646 S *	6/2004	Chedal Anglay	D7/356
D517,857 S *	3/2006	Poon	D7/356
D536,210 S *	2/2007	Yeung	D7/356
D548,512 S *	8/2007	Nakatani	D7/330
D644,476 S *	9/2011	Gregory et al.	D7/354
D697,362 S *	1/2014	Nguyen Geslin	D7/356

(73) Assignee: **De’Longhi Braun Household GmbH**,
Neu-Isenburg (DE)

(**) Term: **14 Years**

(21) Appl. No.: **29/483,998**

(22) Filed: **Mar. 5, 2014**

(30) **Foreign Application Priority Data**

Sep. 6, 2013 (EM) 002303990-0025

(51) **LOC (10) Cl.** **07-02**

(52) **U.S. Cl.**
USPC **D7/354**

(58) **Field of Classification Search**

CPC A47J 27/00; A47J 27/004; A47J 27/08;
A47J 27/0802; A47J 27/0804; A47J 27/0811;
A47J 27/0813; A47J 27/0815; A47J 27/0817;
A47J 27/084; A47J 27/09; A47J 27/092;
A47J 36/025; A47J 36/06; A47J 37/12;
A47J 37/1204; A47J 37/1209; A47J 45/07;
A47J 45/071; A47J 45/074; A47J 45/08;
B01D 2201/345; B01J 3/03; B01J 3/04;
F01P 2011/0247; F01P 2011/0252; H05B
6/00; H05B 6/02; H05B 6/06
USPC D7/323, 330, 354–361, 391, 393;
99/324, 336–339, 403, 425–426, 467;
126/348, 384.1, 390.1; 219/401,

* cited by examiner

Primary Examiner — Ricky Pham

(74) *Attorney, Agent, or Firm* — Fish & Richardson P.C.

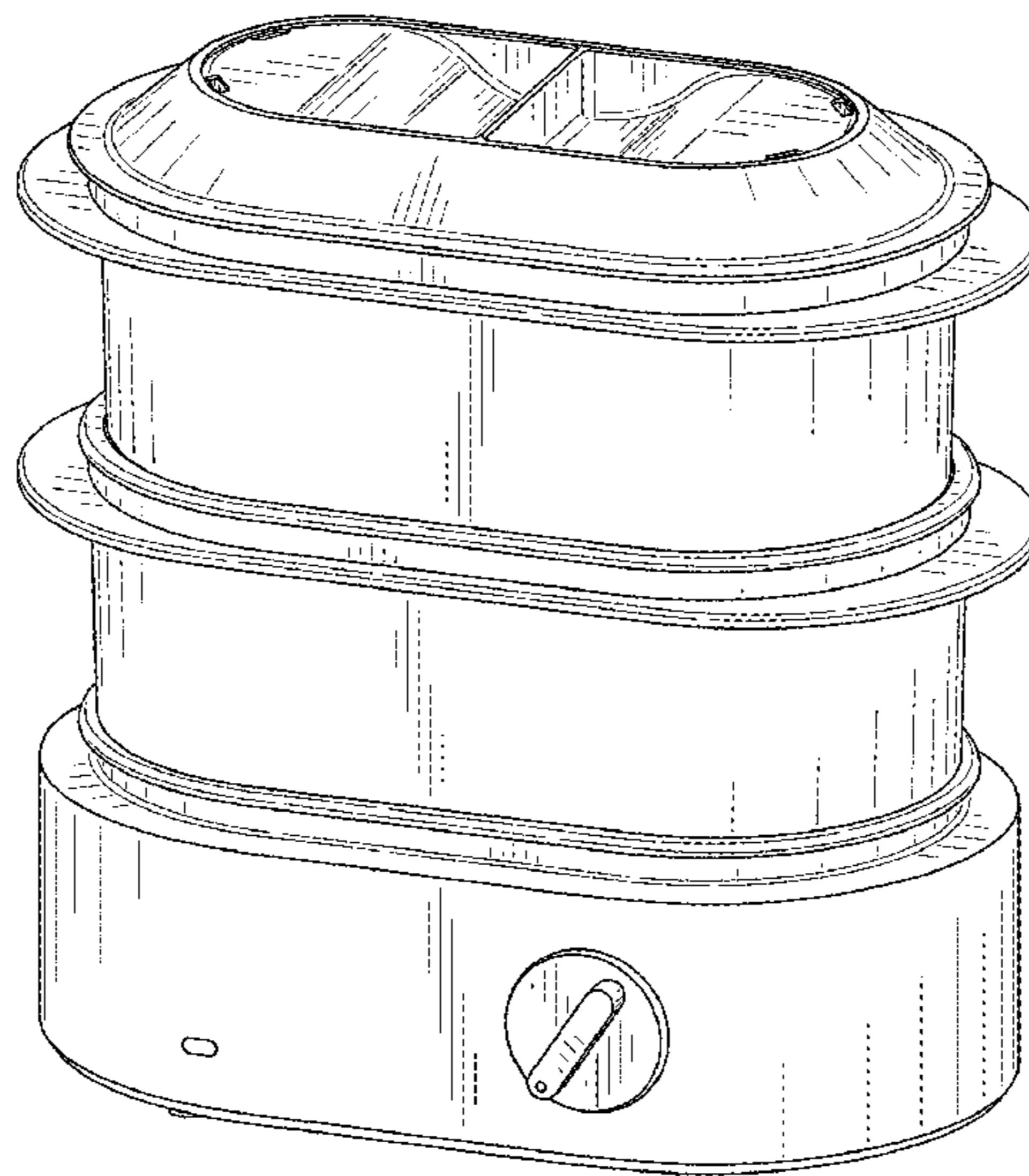
(57) **CLAIM**

The ornamental design for a food steamer, substantially as shown and described.

DESCRIPTION

FIG. 1 is a front view of a food steamer of the design.
FIG. 2 is a rear view of a food steamer of the design.
FIG. 3 is a right side view of a food steamer of the design.
FIG. 4 is an opposite, left side view of a food steamer of the design.
FIG. 5 is a top view of a food steamer of the design.
FIG. 6 is a bottom view of a food steamer of the design; and,
FIG. 7 is a top, front and left side perspective view of a food steamer of the design.

1 Claim, 4 Drawing Sheets



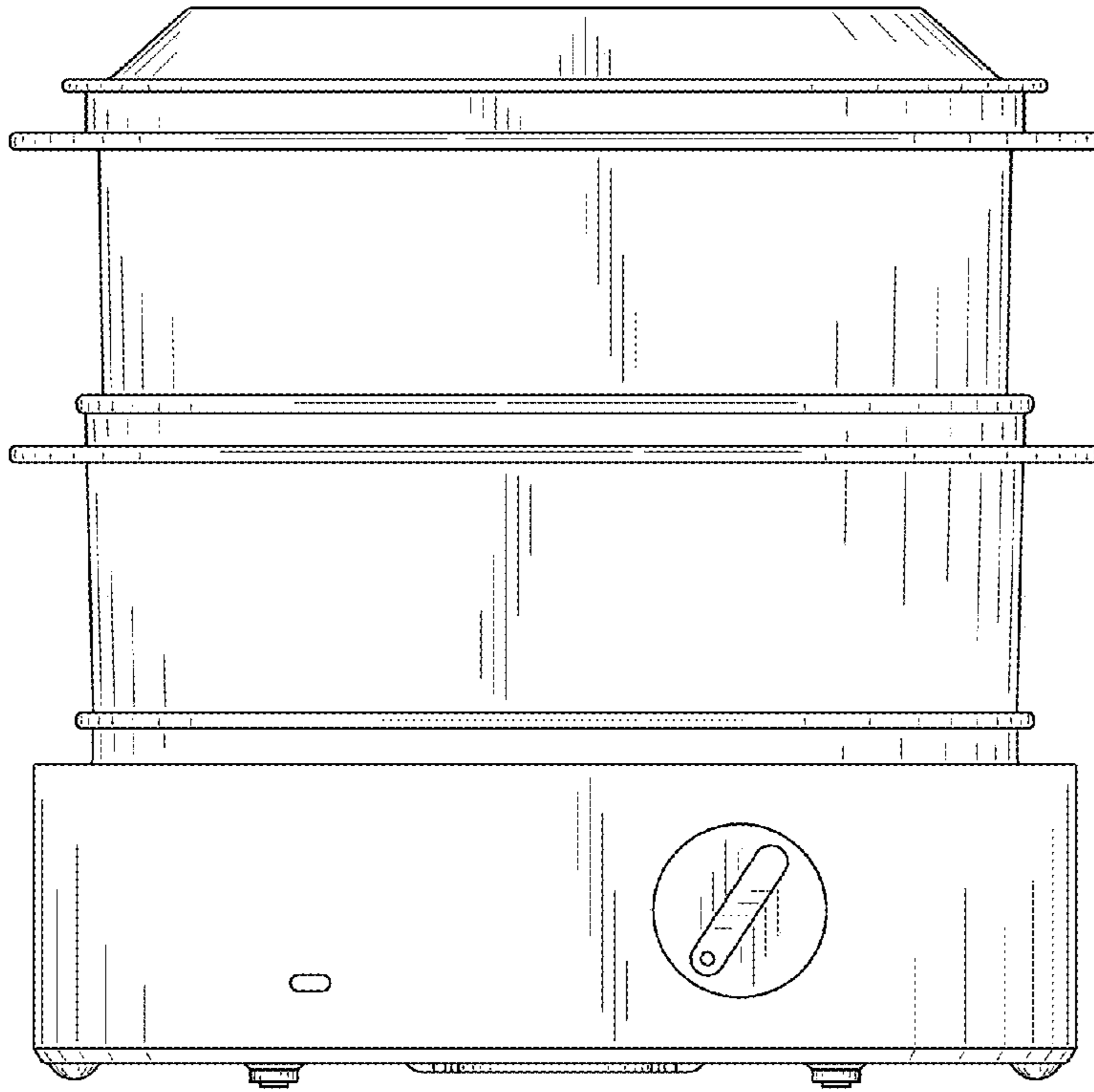


FIG. 1

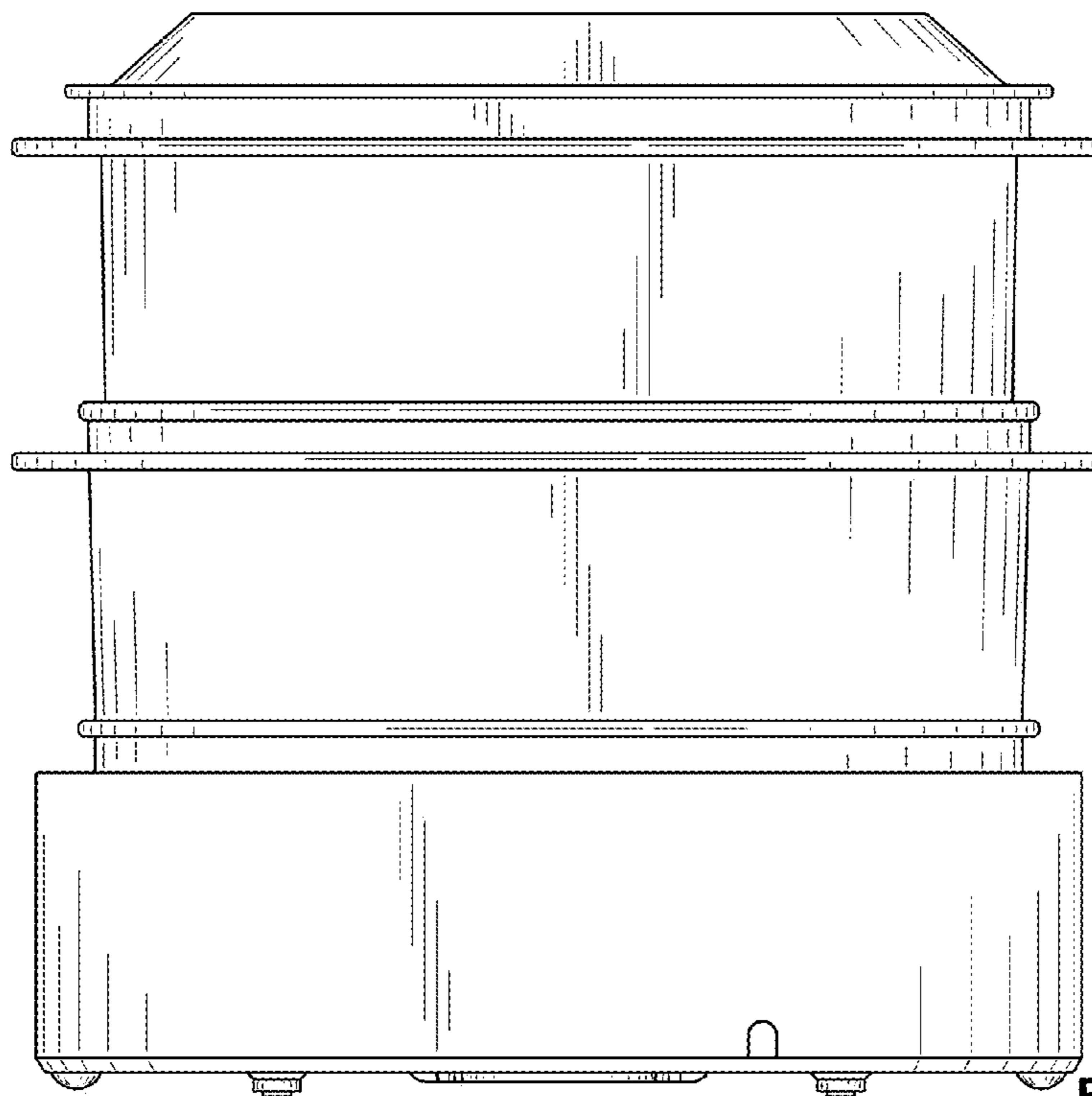


FIG. 2

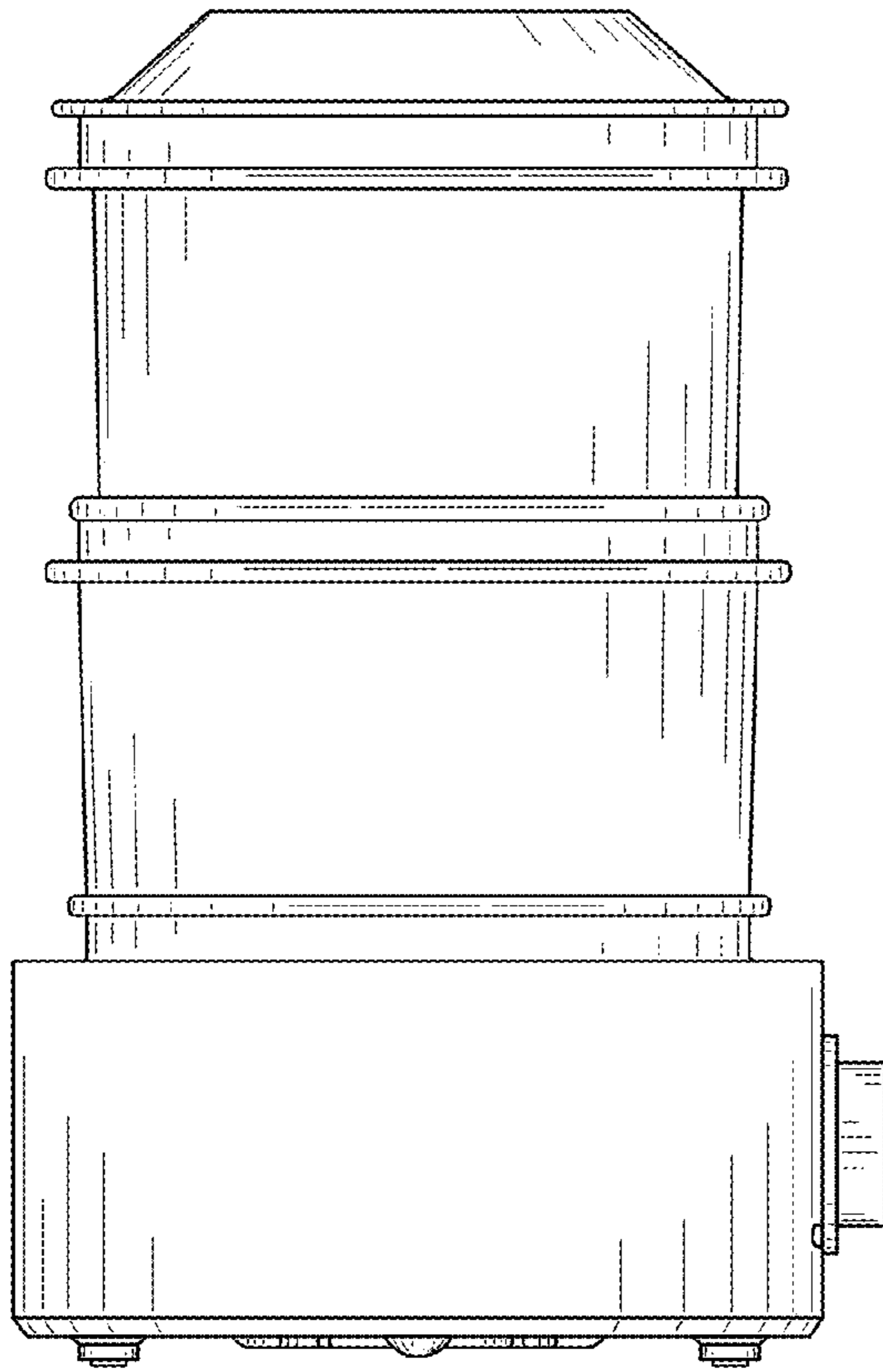


FIG. 3

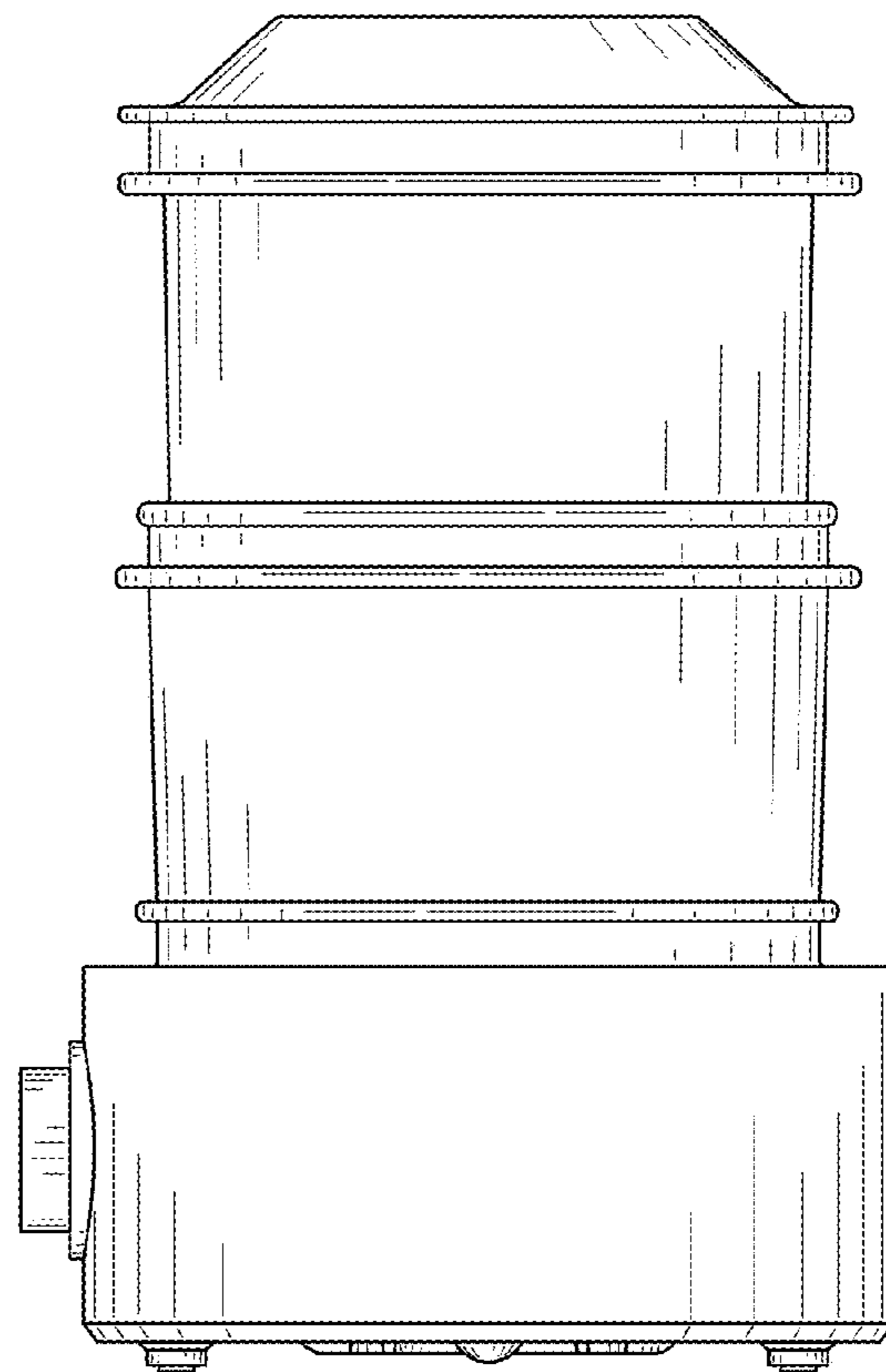


FIG. 4

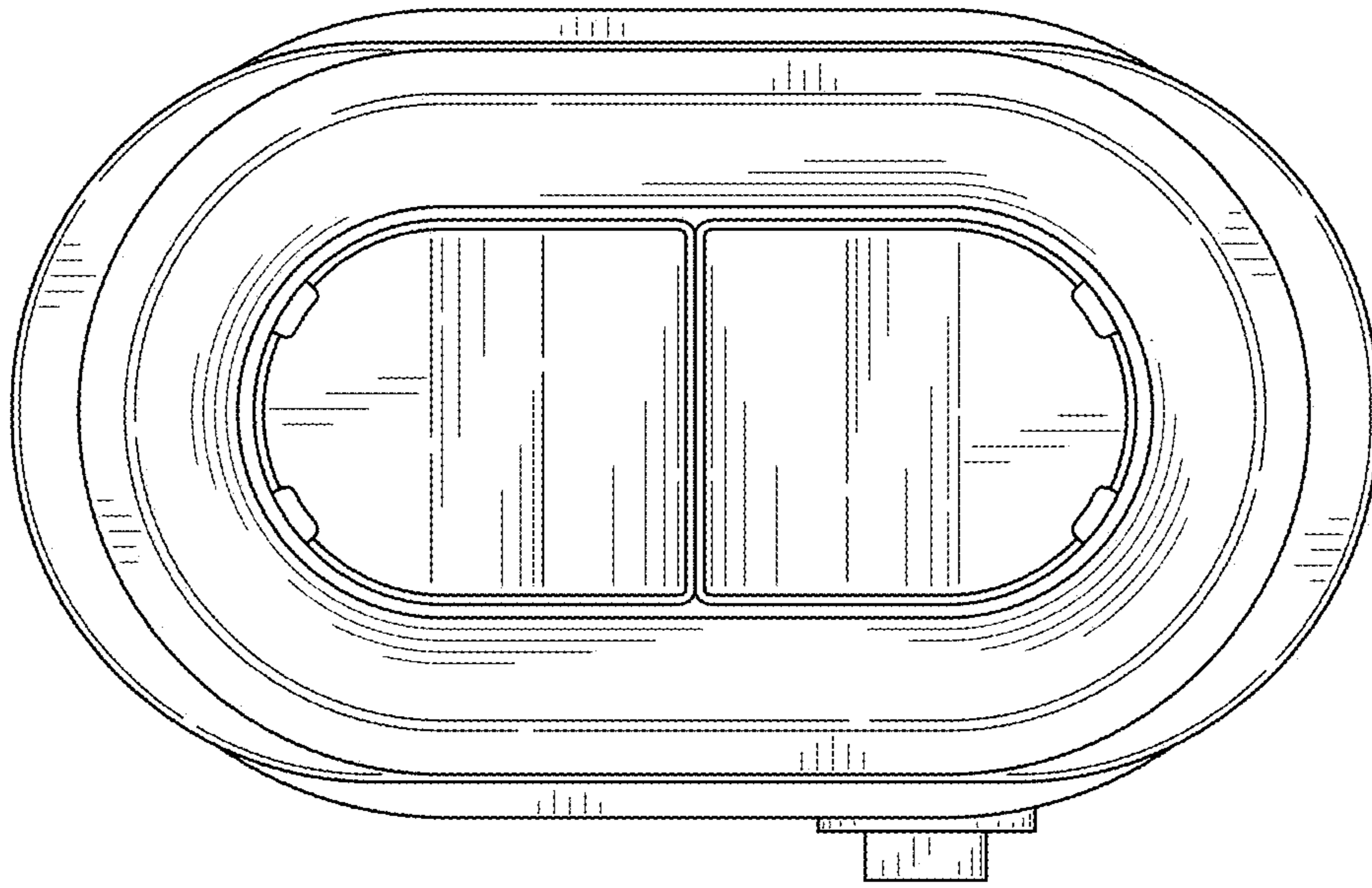


FIG. 5

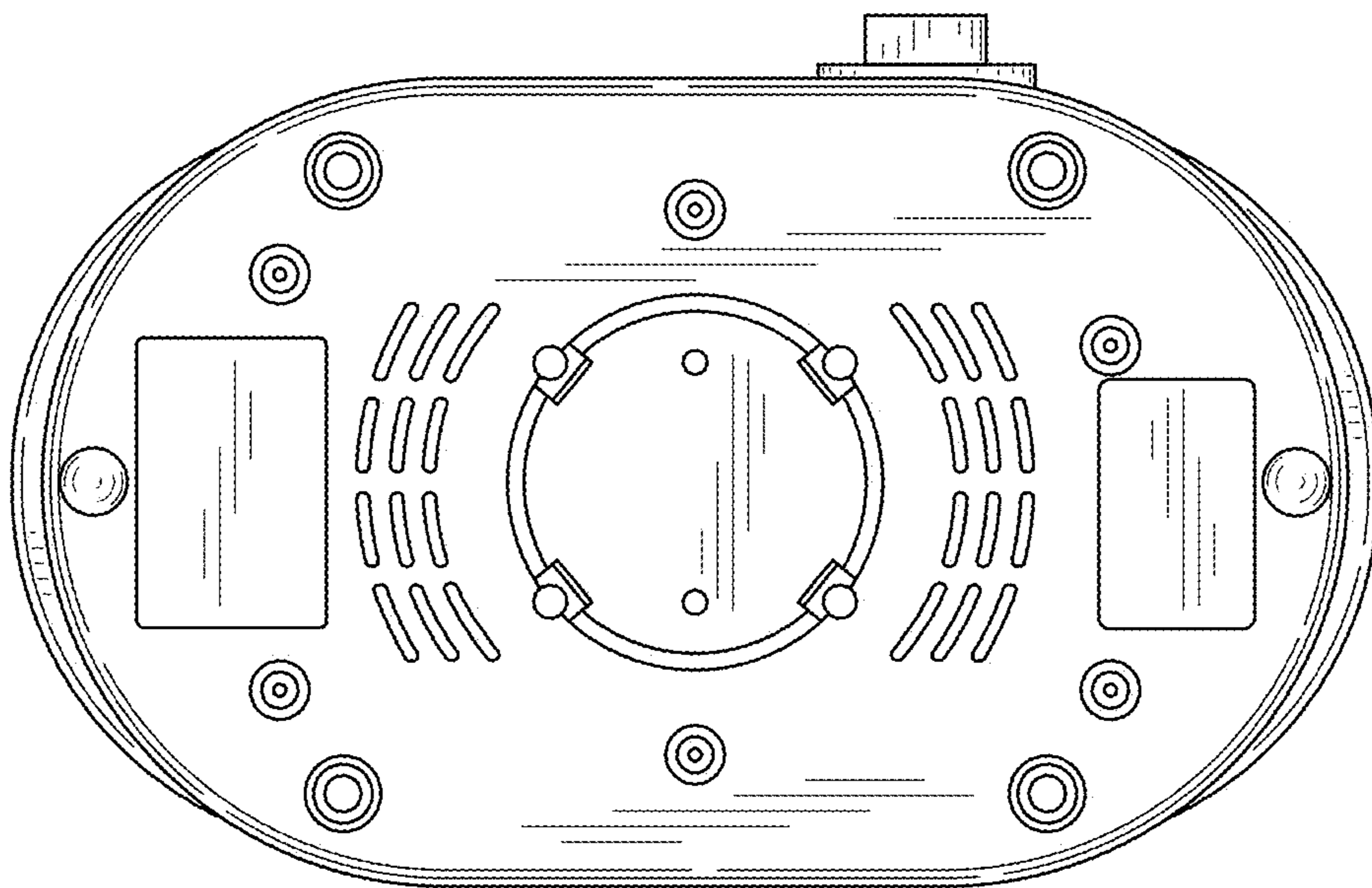


FIG. 6

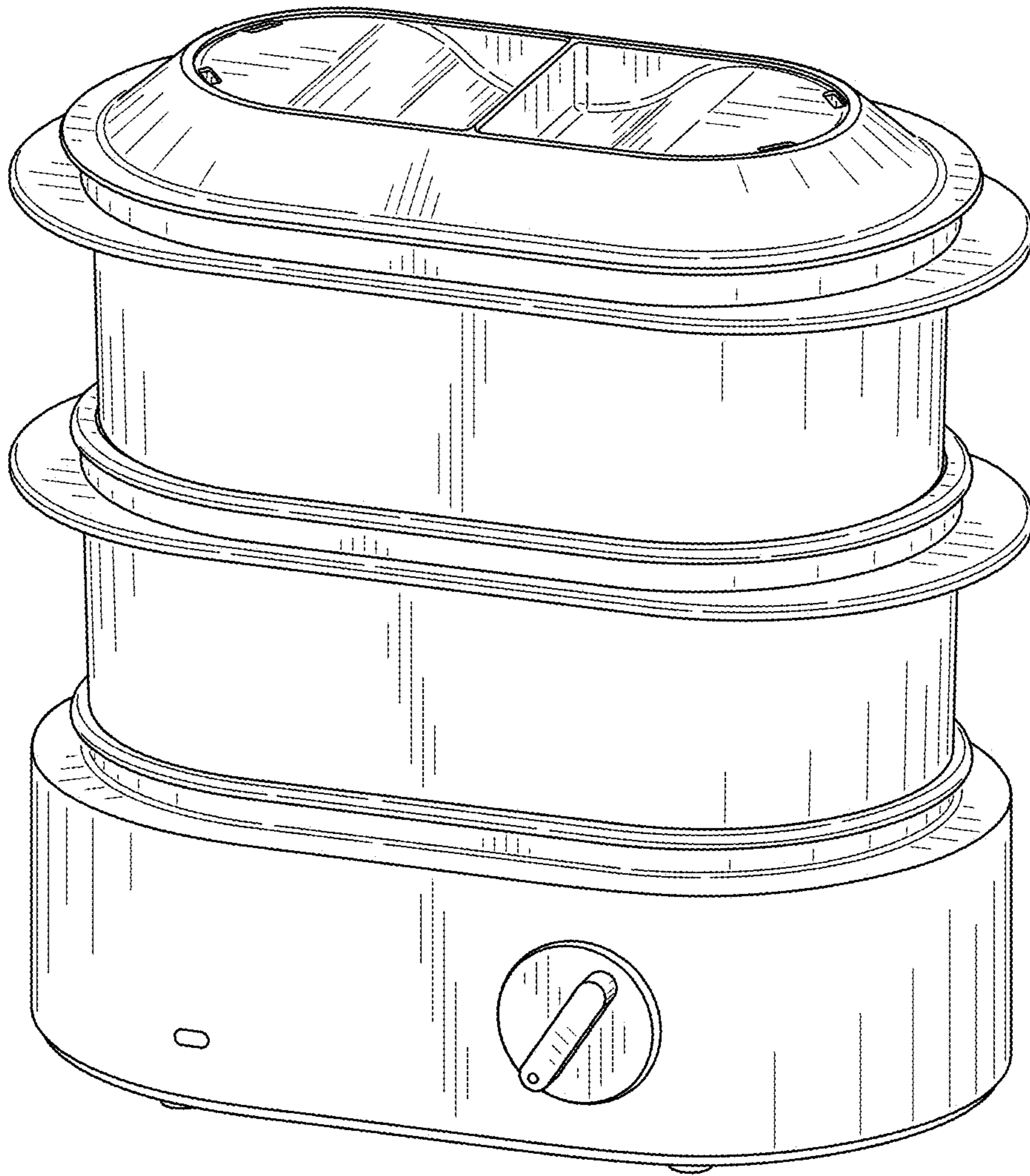


FIG. 7