



US00D727086S

(12) **United States Design Patent**
Barford

(10) **Patent No.:** **US D727,086 S**

(45) **Date of Patent:** **** Apr. 21, 2015**

(54) **COOKING STOVE**

(71) Applicant: **Standard Brands (UK) Limited,**
Leatherhead, Surrey (GB)

(72) Inventor: **Eric Dennis Barford,** Castlebellingham
(IE)

(73) Assignee: **Standard Brands (UK) Limited,**
Leatherhead, Surrey (GB)

(**) Term: **14 Years**

(21) Appl. No.: **29/472,170**

(22) Filed: **Nov. 8, 2013**

(30) **Foreign Application Priority Data**

May 8, 2013 (EM) 001371504

(51) **LOC (10) CL.** **07-02**

(52) **U.S. Cl.**
USPC **D7/332**

(58) **Field of Classification Search**
USPC D7/332, 335-337, 402-403, 405, 543,
D7/547, 548, 354, 361, 533; 126/25 R,
126/29-30, 9 R, 9 B, 38, 40, 50, 41 R,
126/43-44; 99/450

See application file for complete search history.

(56) **References Cited**

U.S. PATENT DOCUMENTS

D56,928 S *	1/1921	Kieckhefer	D7/403
D100,012 S *	6/1936	Ford	D7/337
3,331,365 A *	7/1967	Sussan	126/25 R
3,416,510 A *	12/1968	Paulson	126/25 R
D273,264 S *	4/1984	Elliston	D7/332
D422,452 S *	4/2000	Persson	D7/402
D435,191 S *	12/2000	Cooper	D7/337
D488,023 S *	4/2004	Siegel et al.	D7/337

6,718,967 B2 *	4/2004	Luther	126/40
D491,409 S *	6/2004	Siegel et al.	D7/332
D495,552 S *	9/2004	Siegel et al.	D7/332
D531,849 S *	11/2006	Turner	D7/332
D600,971 S *	9/2009	Garpelin	D7/354
D612,662 S *	3/2010	Lorenz et al.	D7/337
D619,847 S *	7/2010	Lin	D7/361
D662,761 S *	7/2012	Wahl	D7/354
D698,197 S *	1/2014	Andersson	D7/361
D701,721 S *	4/2014	Jan	D7/332
8,701,650 B2 *	4/2014	Huggins	126/25 R
2011/0214663 A1 *	9/2011	Cox	126/25 R

OTHER PUBLICATIONS

Bushcraft Outdoor Living and Survival 2012 / 2013 Catalogue, Cooking, "Time-Saving and Easy to Use Field Cooking Equipment to Help You Spend More Time in the Great Outdoors", p. 26. (48 page catalogue), Code: CN009, www.bcbn.com, exact date of catalog unknown, but prior to the filing of this application.

* cited by examiner

Primary Examiner — Ruth McInroy

(74) *Attorney, Agent, or Firm* — Banner & Witcoff, Ltd.

(57) **CLAIM**

The ornamental design for a cooking stove, as shown and described.

DESCRIPTION

FIG. 1 is a perspective view of a cooking stove showing my new design;

FIG. 2 is a front view thereof;

FIG. 3 is a rear view thereof;

FIG. 4 is a left side view thereof;

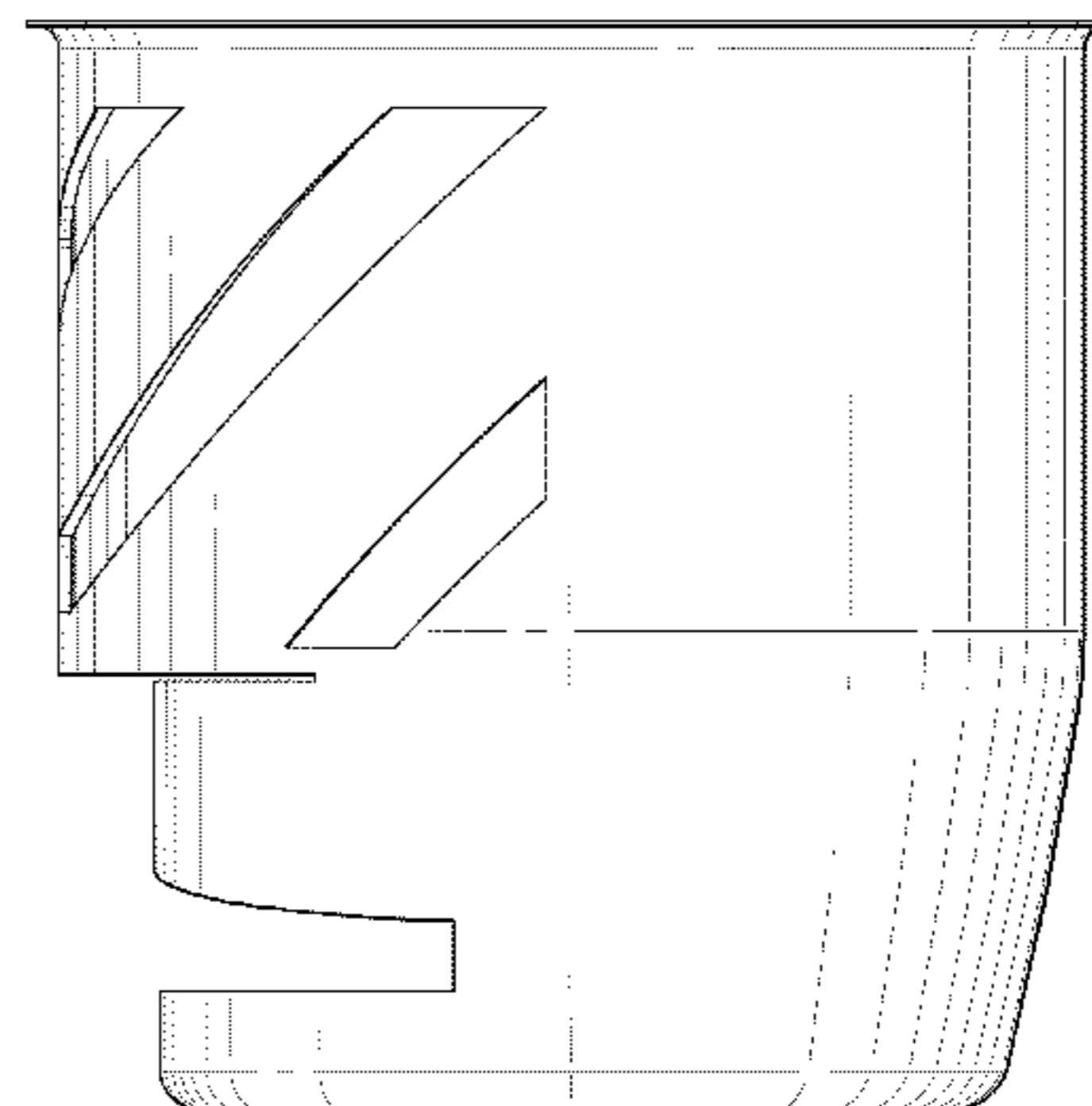
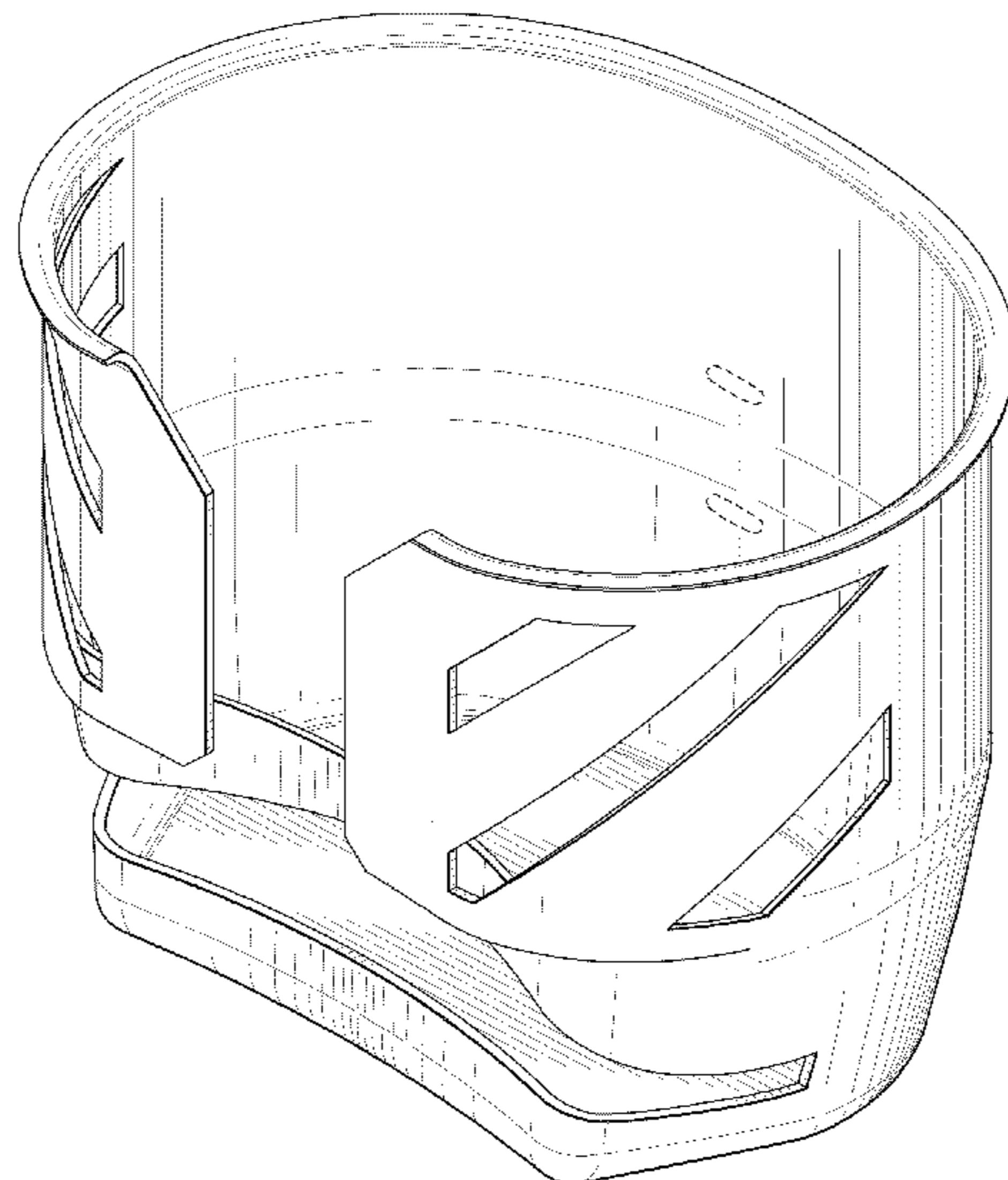
FIG. 5 is a right side view thereof;

FIG. 6 is a top view thereof; and,

FIG. 7 is a bottom view thereof.

The broken line showing of the oval regions is for environmental purposes only and forms no part of the claimed design.

1 Claim, 7 Drawing Sheets



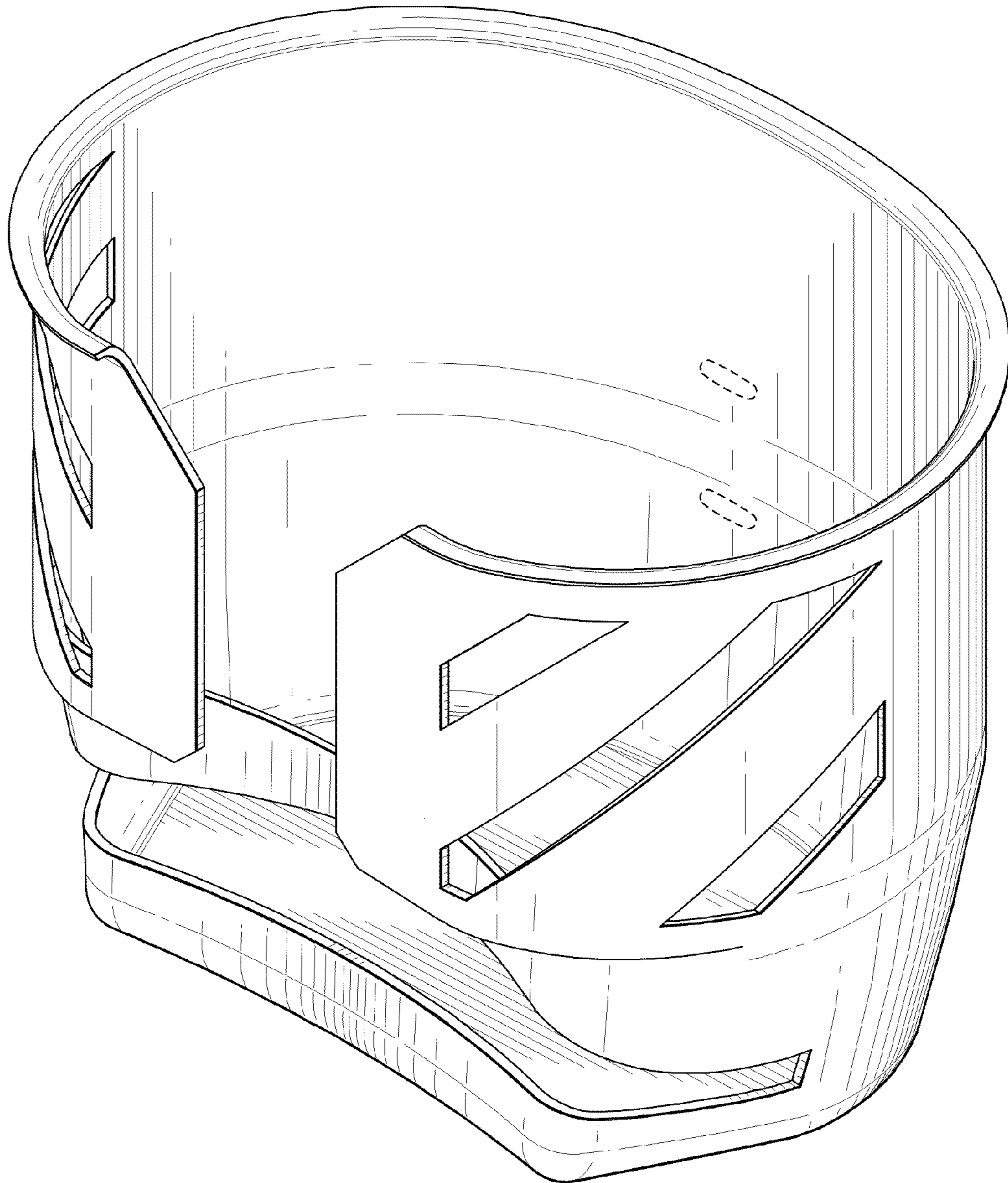


FIG. 1

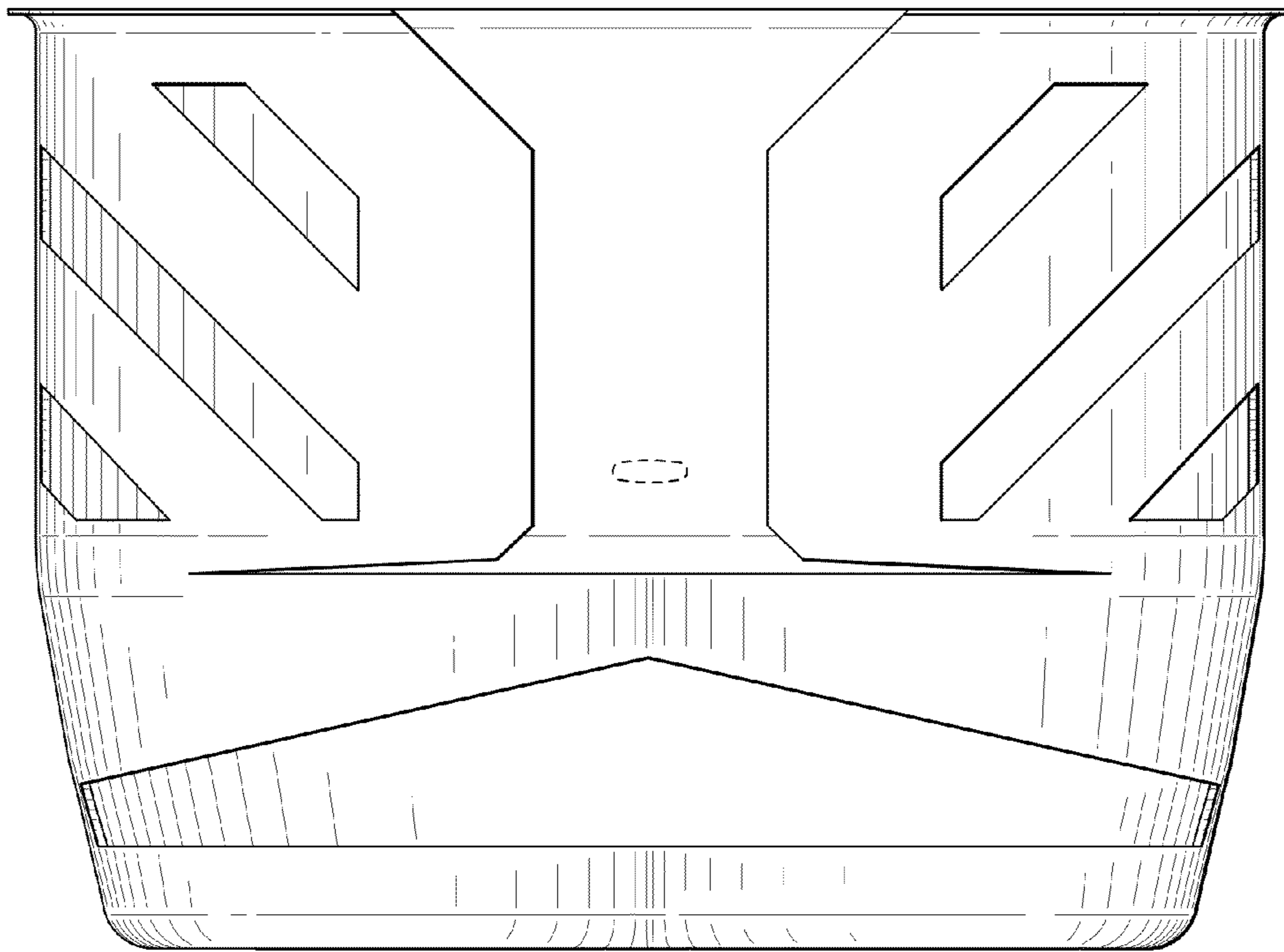


FIG. 2

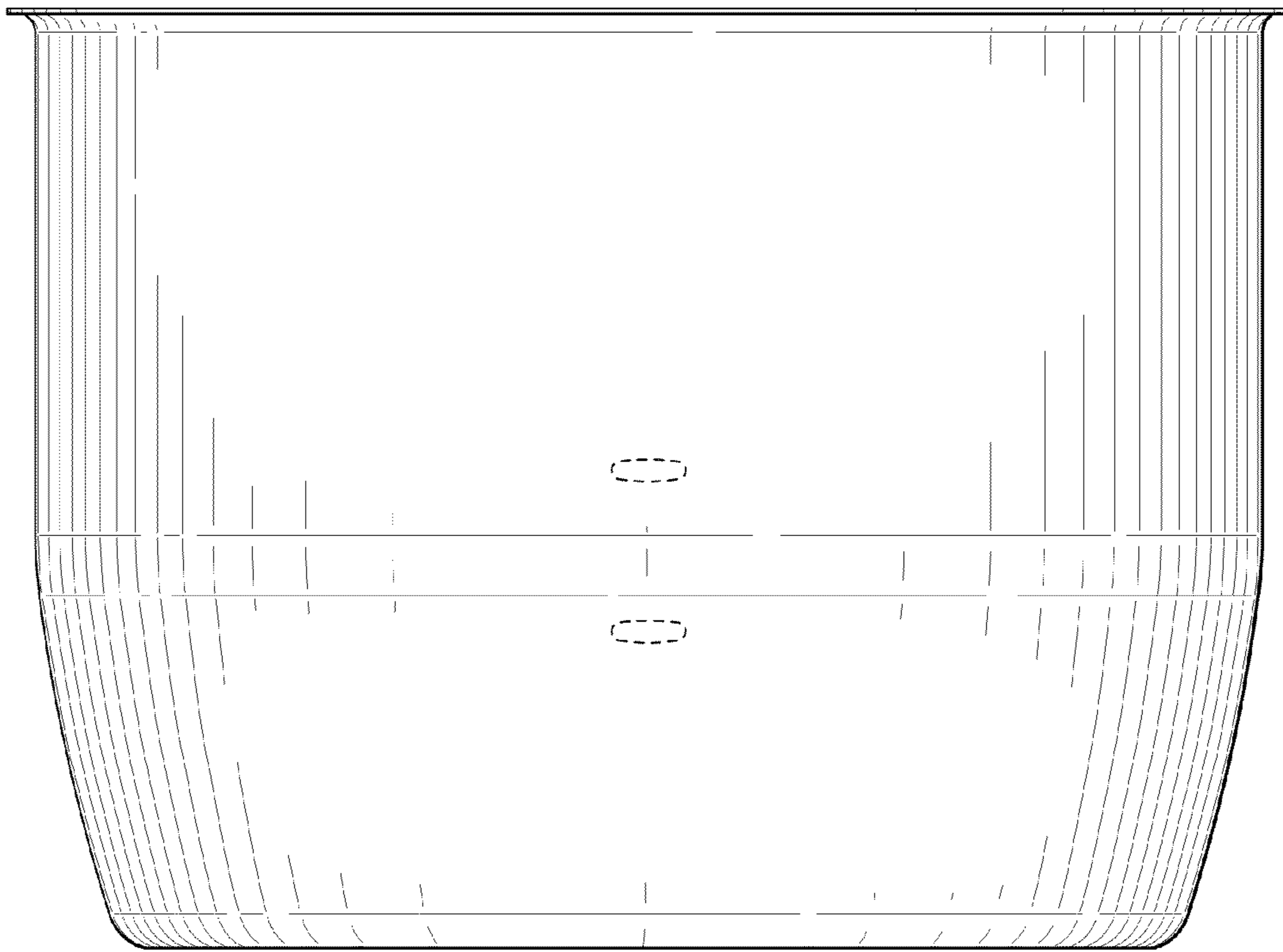


FIG. 3

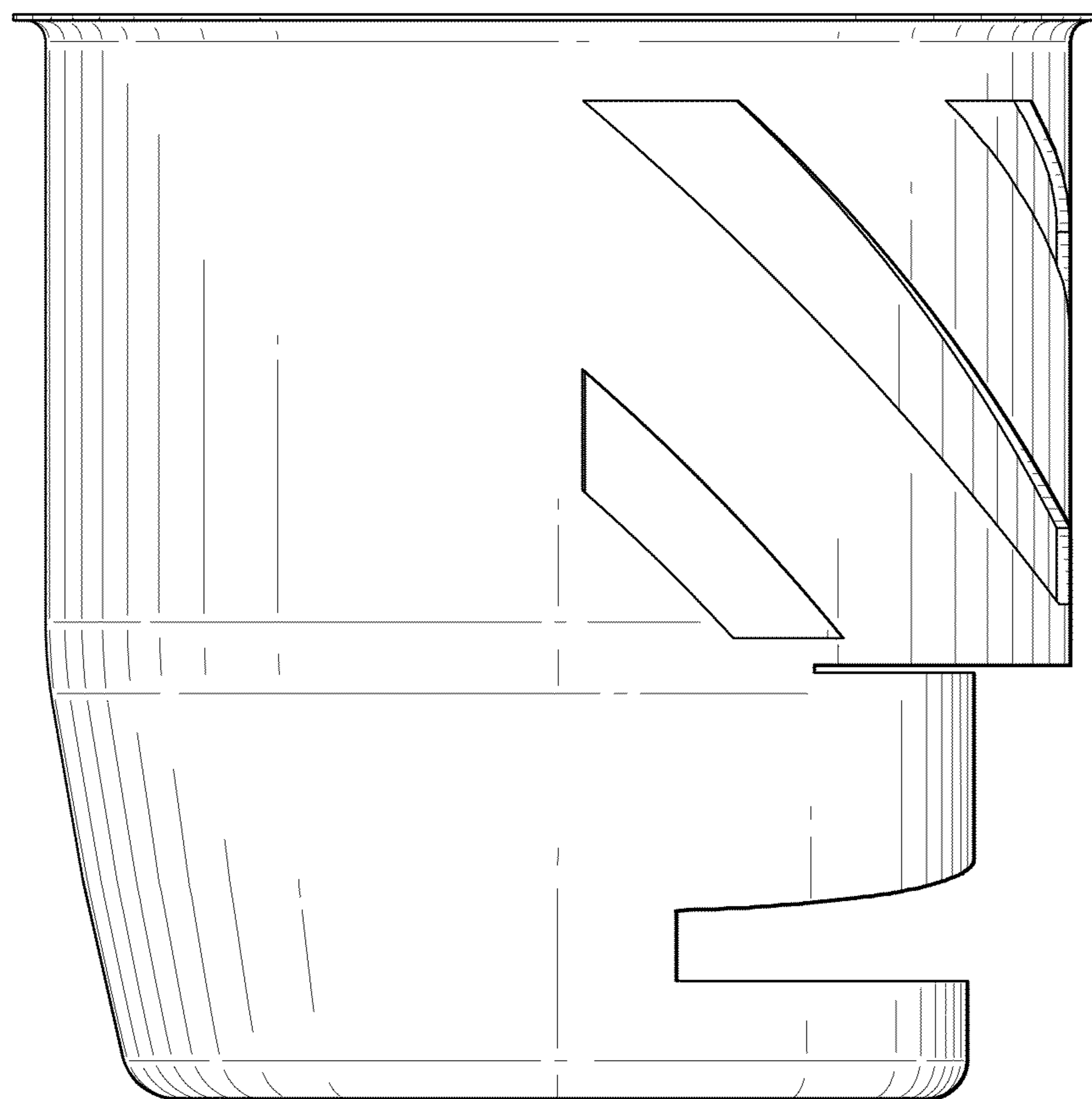


FIG. 4

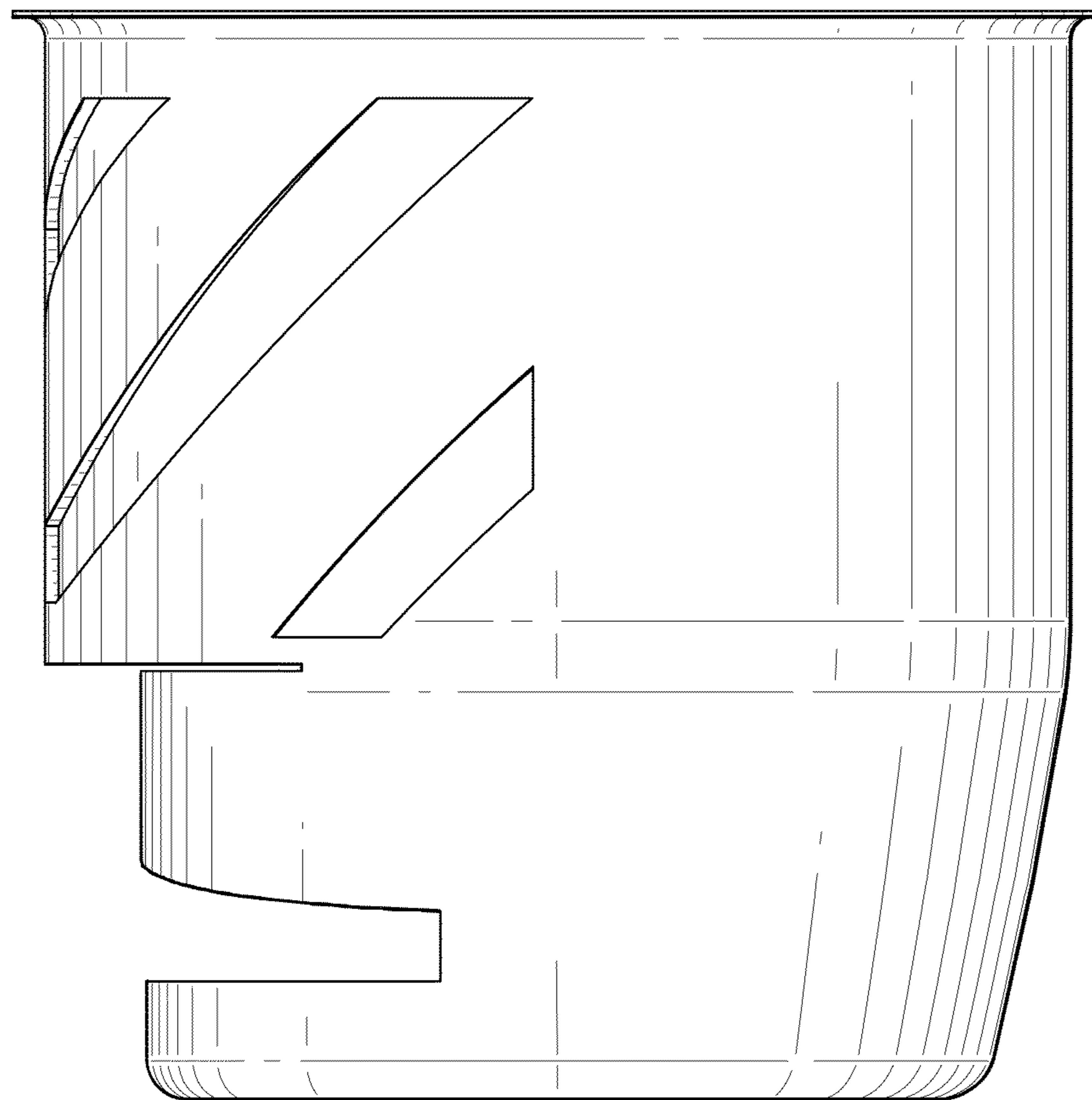


FIG. 5

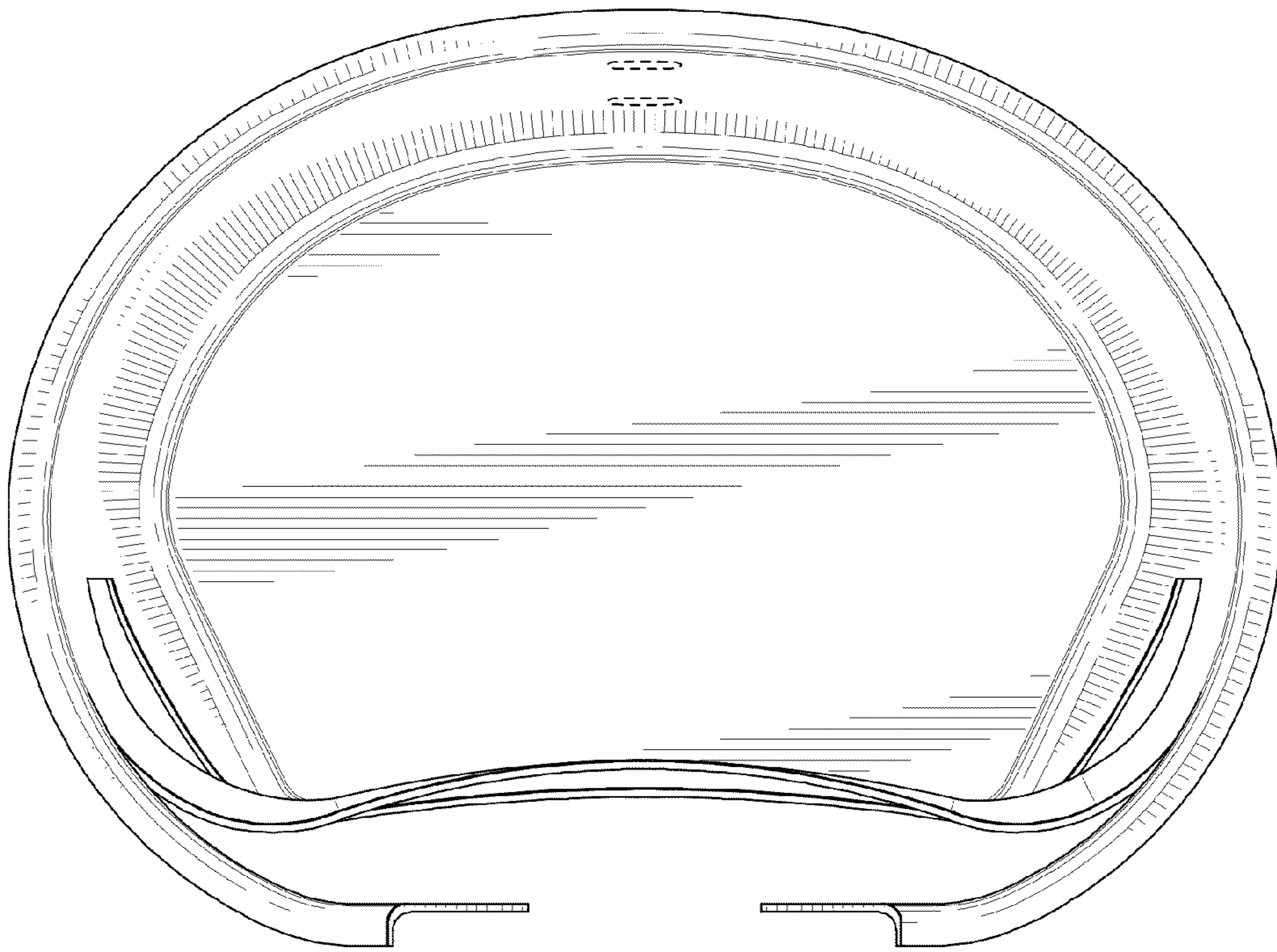


FIG. 6

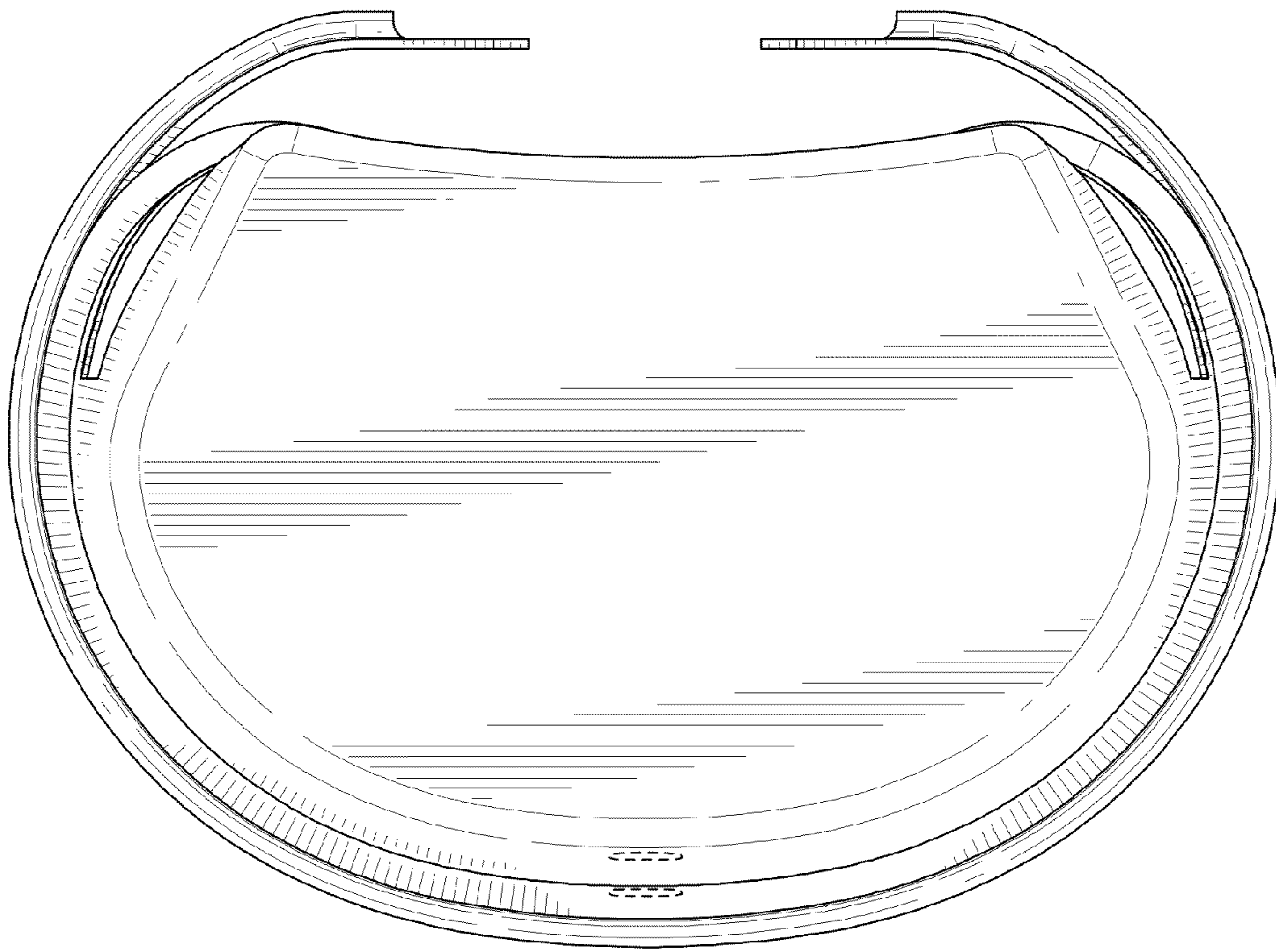


FIG. 7