



US00D727085S

(12) **United States Design Patent**  
**Kotani et al.**

(10) **Patent No.:** **US D727,085 S**  
(45) **Date of Patent:** **\*\* Apr. 21, 2015**

(54) **ELECTRIC KETTLE**

(71) Applicant: **Zojirushi Corporation**, Osaka-shi,  
Osaka (JP)

(72) Inventors: **Keito Kotani**, Kobe (JP); **Keita Akiyama**, Osaka (JP)

(73) Assignee: **Zojirushi Corporation** (JP)

(\*\*) Term: **14 Years**

(21) Appl. No.: **29/472,351**

(22) Filed: **Nov. 12, 2013**

(30) **Foreign Application Priority Data**

May 16, 2013 (JP) ..... 2013-10764

(51) **LOC (10) Cl.** ..... **07-01**

(52) **U.S. Cl.**  
USPC ..... **D7/319; D7/317**

(58) **Field of Classification Search**  
CPC ..... **A47G 19/14**  
USPC ..... **D7/312, 300, 316-319, 310, 309, 600;**  
**222/465.1, 189.06, 571; 215/398, 235,**  
**215/12.1; 220/713**

See application file for complete search history.

(56) **References Cited**

**U.S. PATENT DOCUMENTS**

4,676,411	A *	6/1987	Simasaki	.....	222/517
D364,990	S *	12/1995	Fonville	.....	D7/317
5,653,362	A *	8/1997	Patel	.....	222/156
D395,576	S *	6/1998	Huang	.....	D7/319
D438,420	S *	3/2001	Rolfes et al.	.....	D7/319
D439,466	S *	3/2001	Bouhuys	.....	D7/319
D454,468	S *	3/2002	Mano	.....	D7/318
6,427,880	B1 *	8/2002	Hirose et al.	.....	222/517
D486,032	S *	2/2004	Leung	.....	D7/319
D495,917	S *	9/2004	Watanabe	.....	D7/318
D500,626	S *	1/2005	Ranzoni	.....	D7/317
D521,795	S *	5/2006	Imai	.....	D7/318

D528,846	S *	9/2006	Tamura	.....	D7/318
D544,288	S *	6/2007	Berlencourt	.....	D7/319
D587,957	S *	3/2009	Imai	.....	D7/317
D602,304	S *	10/2009	Elissen	.....	D7/318
7,735,698	B2 *	6/2010	Lin	.....	222/472
D658,925	S *	5/2012	Horimoto	.....	D7/319

(Continued)

**FOREIGN PATENT DOCUMENTS**

JP	1342831	10/2008
JP	1369931	9/2009
JP	1399220	10/2010

**OTHER PUBLICATIONS**

Electric Kettle, PFC-A, Tiger Corporation, pp. 1-3, <[http://www.tiger.jp/press\\_release/pr\\_120827\\_03.html](http://www.tiger.jp/press_release/pr_120827_03.html)> (available at least as early as Aug. 27, 2012).

Electric Kettle, PCF-A, Tiger Corporation, pp. 1-3, <[http://www.tiger.jp/press\\_release/pr\\_120827\\_03.html](http://www.tiger.jp/press_release/pr_120827_03.html)> (available at least as early as Aug. 27, 2012).

*Primary Examiner* — Marianne Pandozzi

(74) *Attorney, Agent, or Firm* — Saidman DesignLaw Group, LLC

(57) **CLAIM**

The ornamental design for an electric kettle, as shown and described.

**DESCRIPTION**

FIG. 1 is a rear perspective view of an electric kettle showing our new design;

FIG. 2 is a front elevational view thereof;

FIG. 3 is a rear elevational view thereof;

FIG. 4 is a left side view thereof;

FIG. 5 is a right side view thereof;

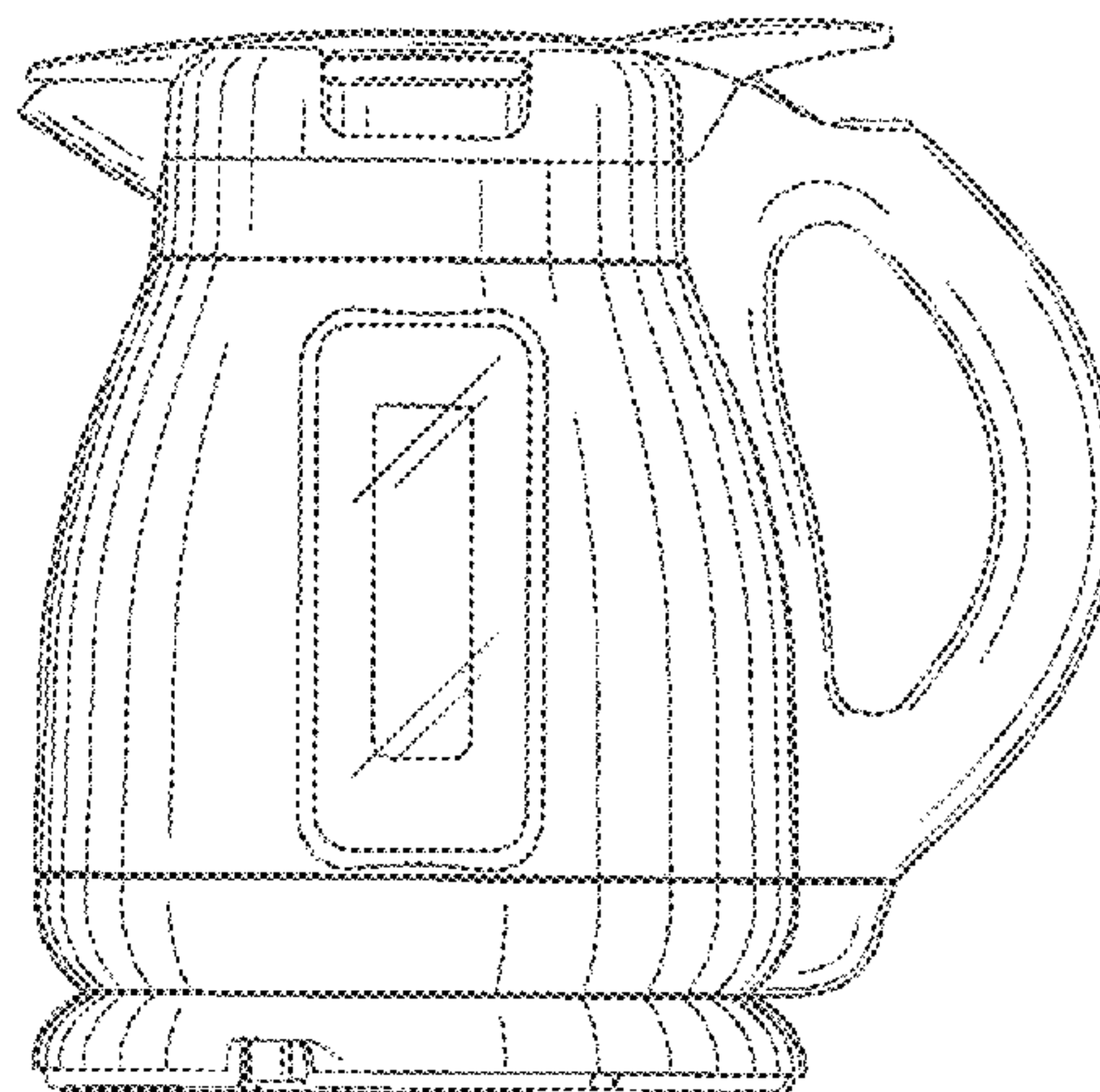
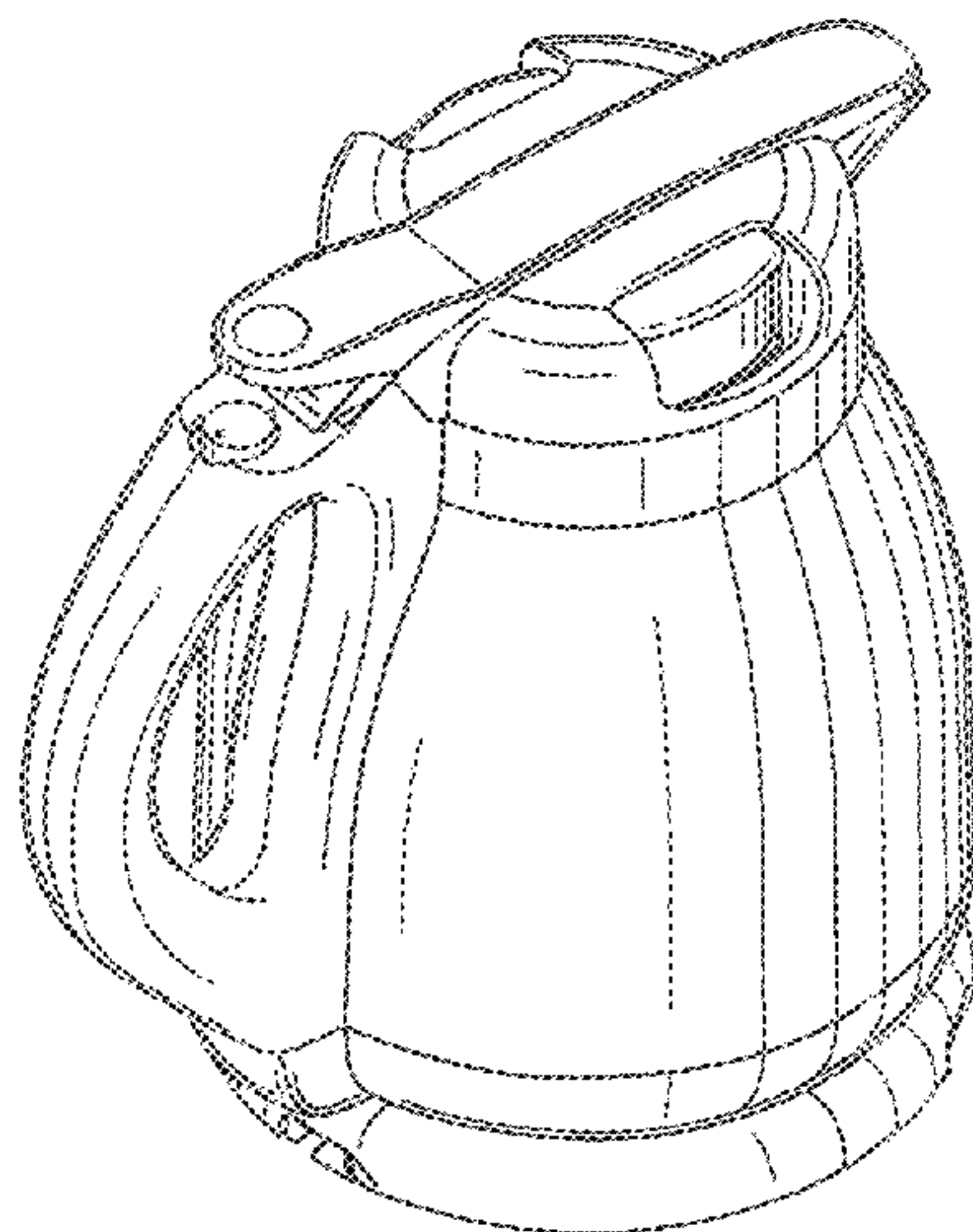
FIG. 6 is a top plan view thereof;

FIG. 7 is an exploded front perspective view thereof;

FIG. 8 is an exploded rear perspective view thereof; and,

FIG. 9 is a front perspective view thereof, shown in an alternate position of use.

**1 Claim, 5 Drawing Sheets**



(56)

**References Cited**

U.S. PATENT DOCUMENTS

D686,864 S \* 7/2013 Poul et al. .... D7/318  
D709,725 S \* 7/2014 Golsch et al. .... D7/334

D669,307 S \* 10/2012 Makhanlall et al. .... D7/397 \* cited by examiner

Fig. 1

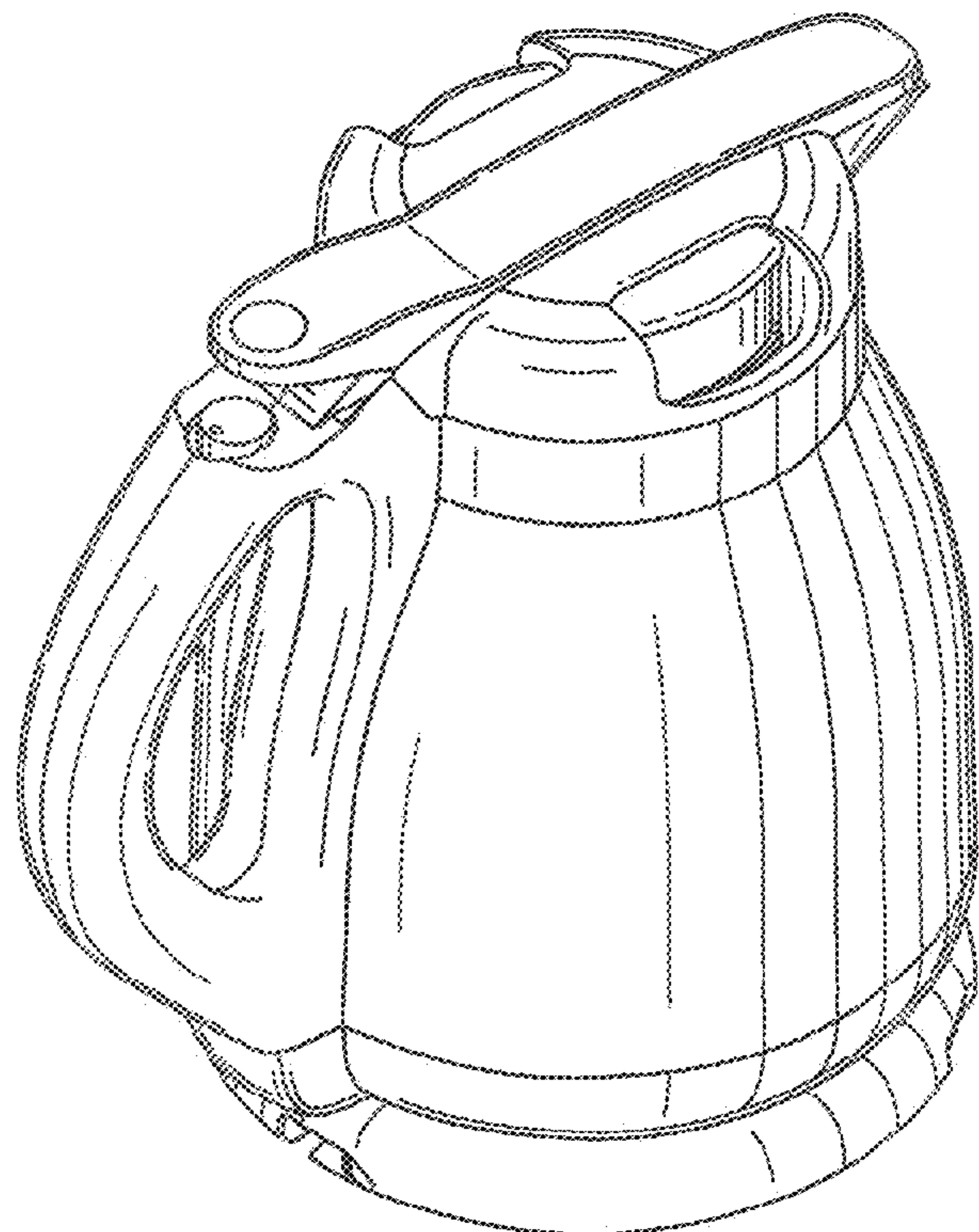


Fig. 2

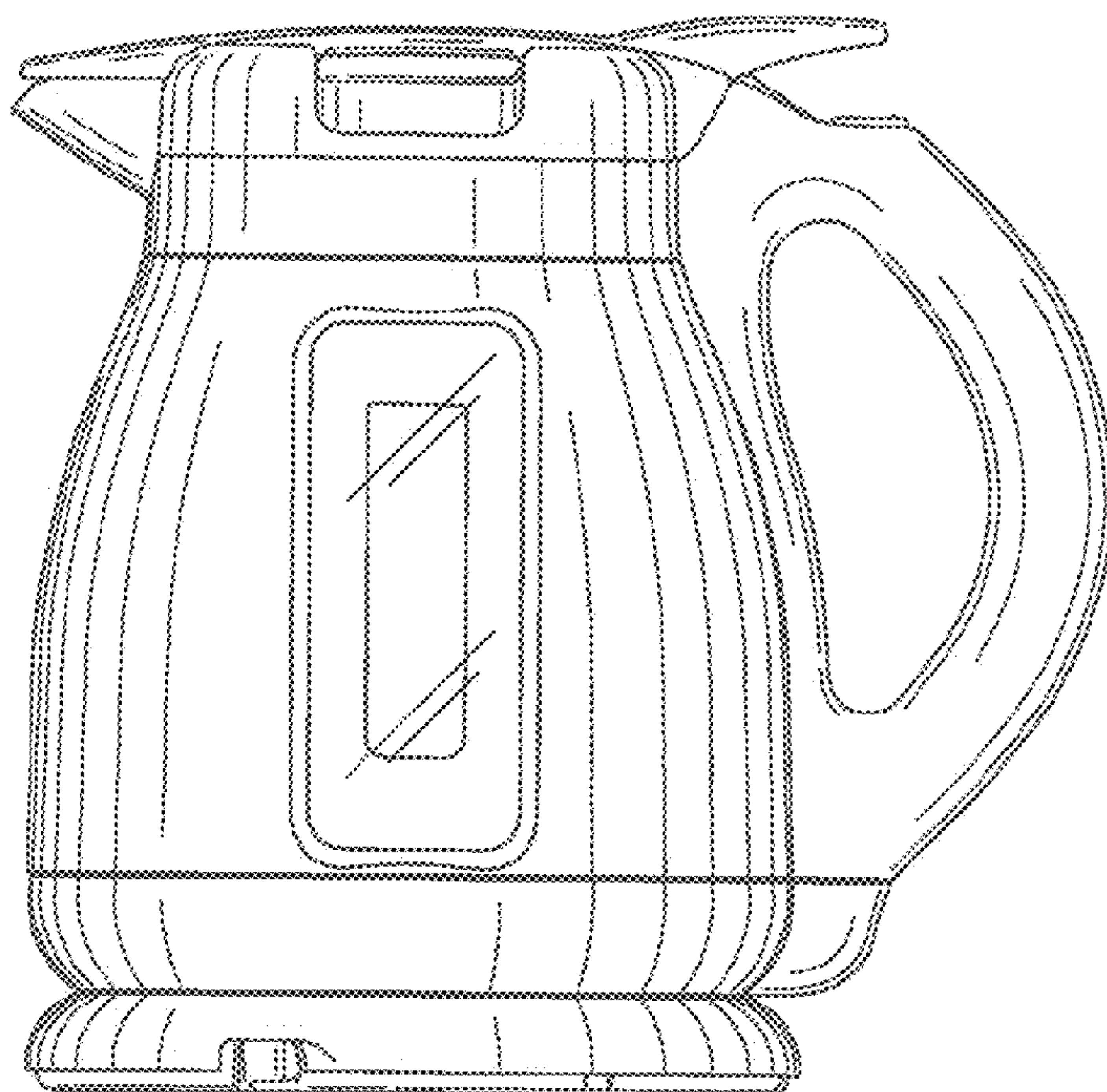




Fig. 3

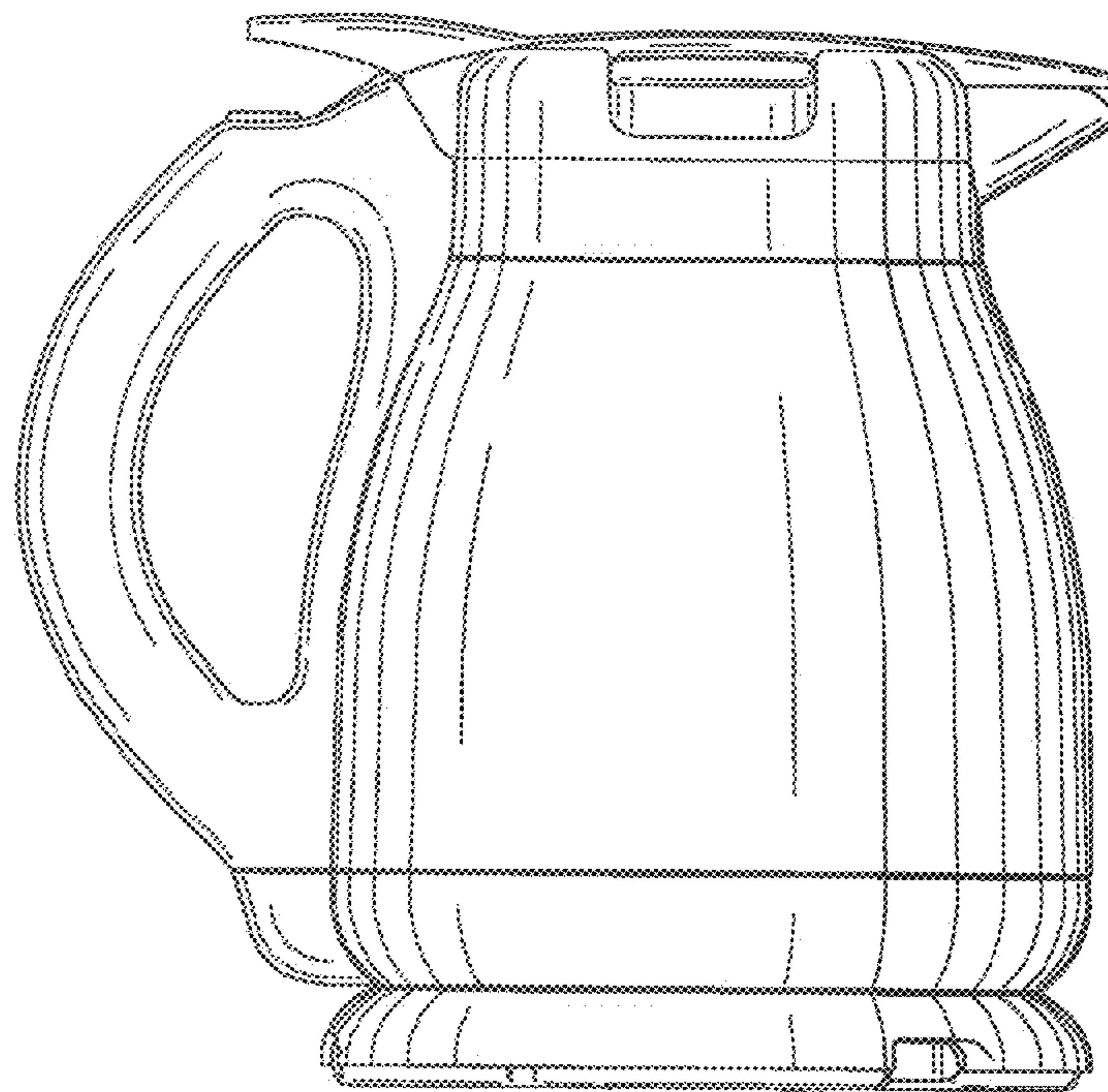


Fig. 4

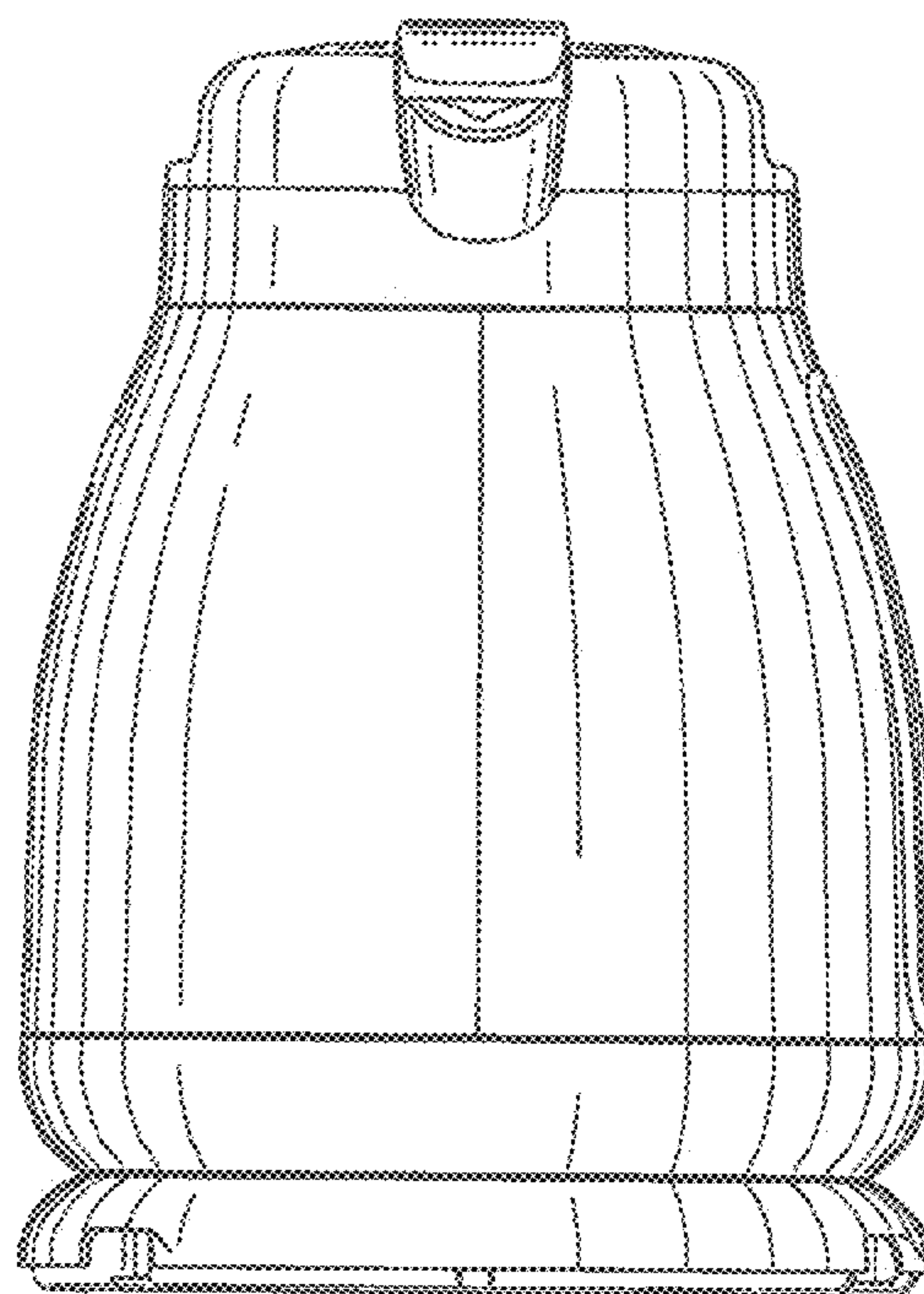


Fig. 5

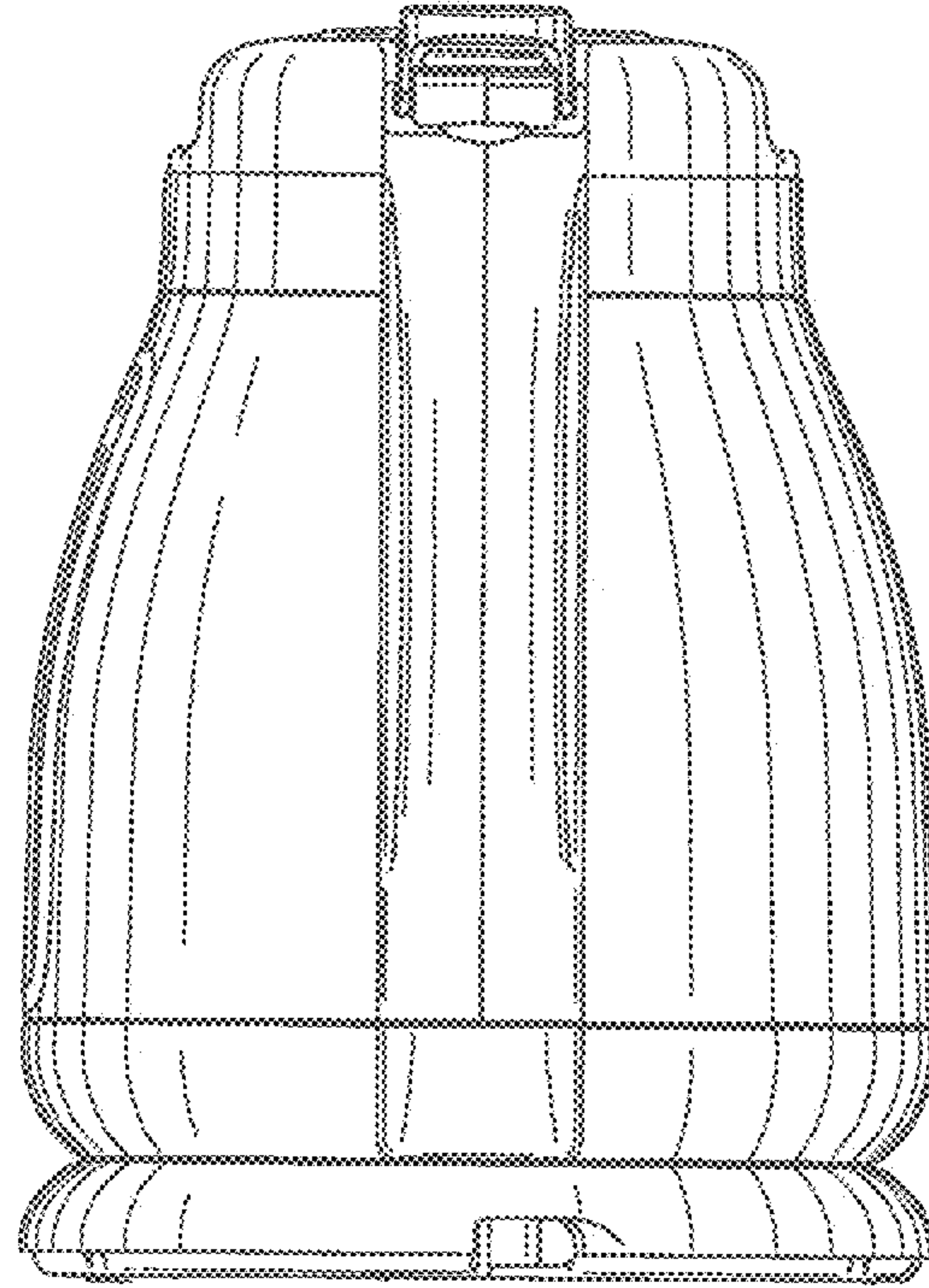


Fig. 6

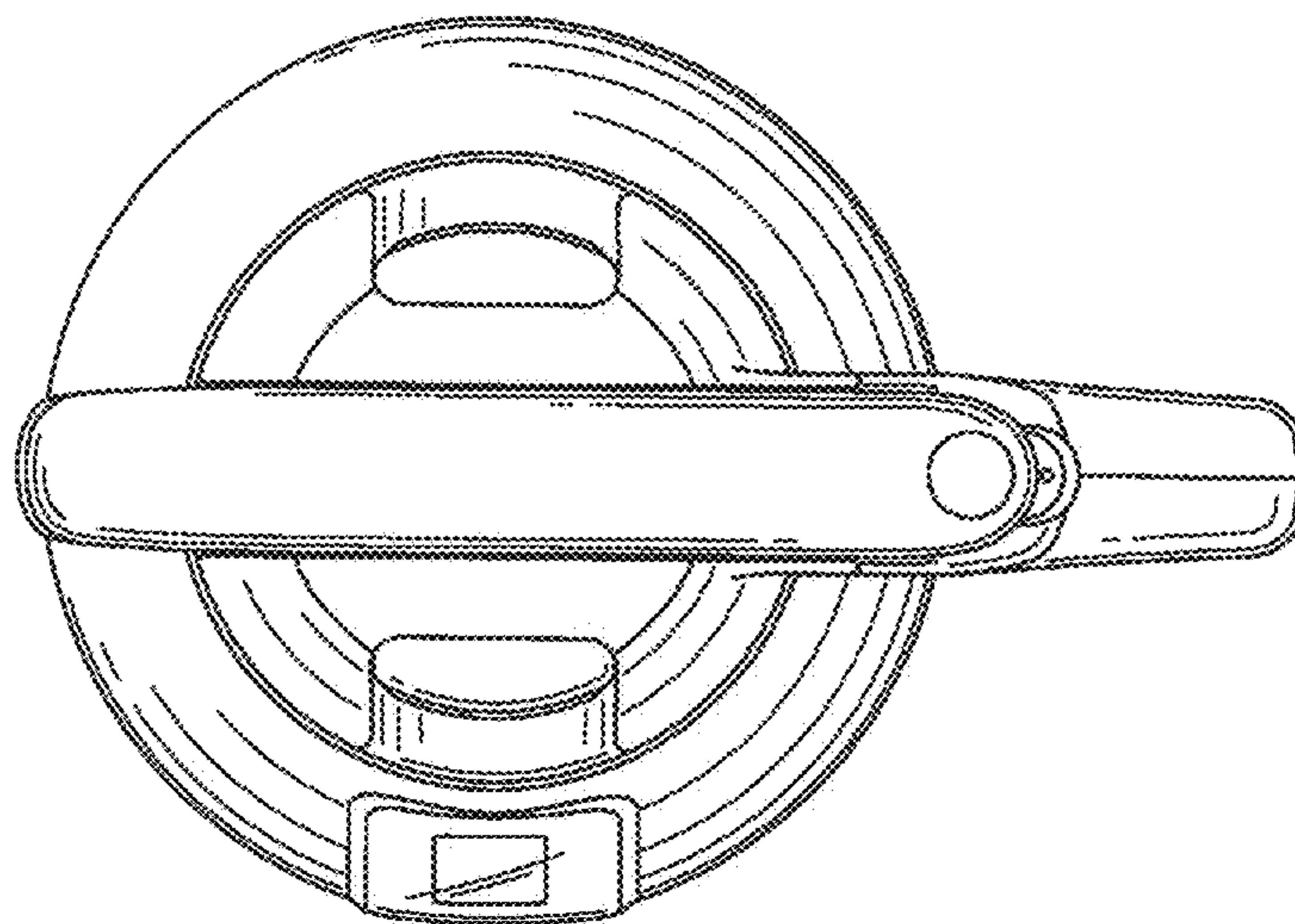


Fig. 7

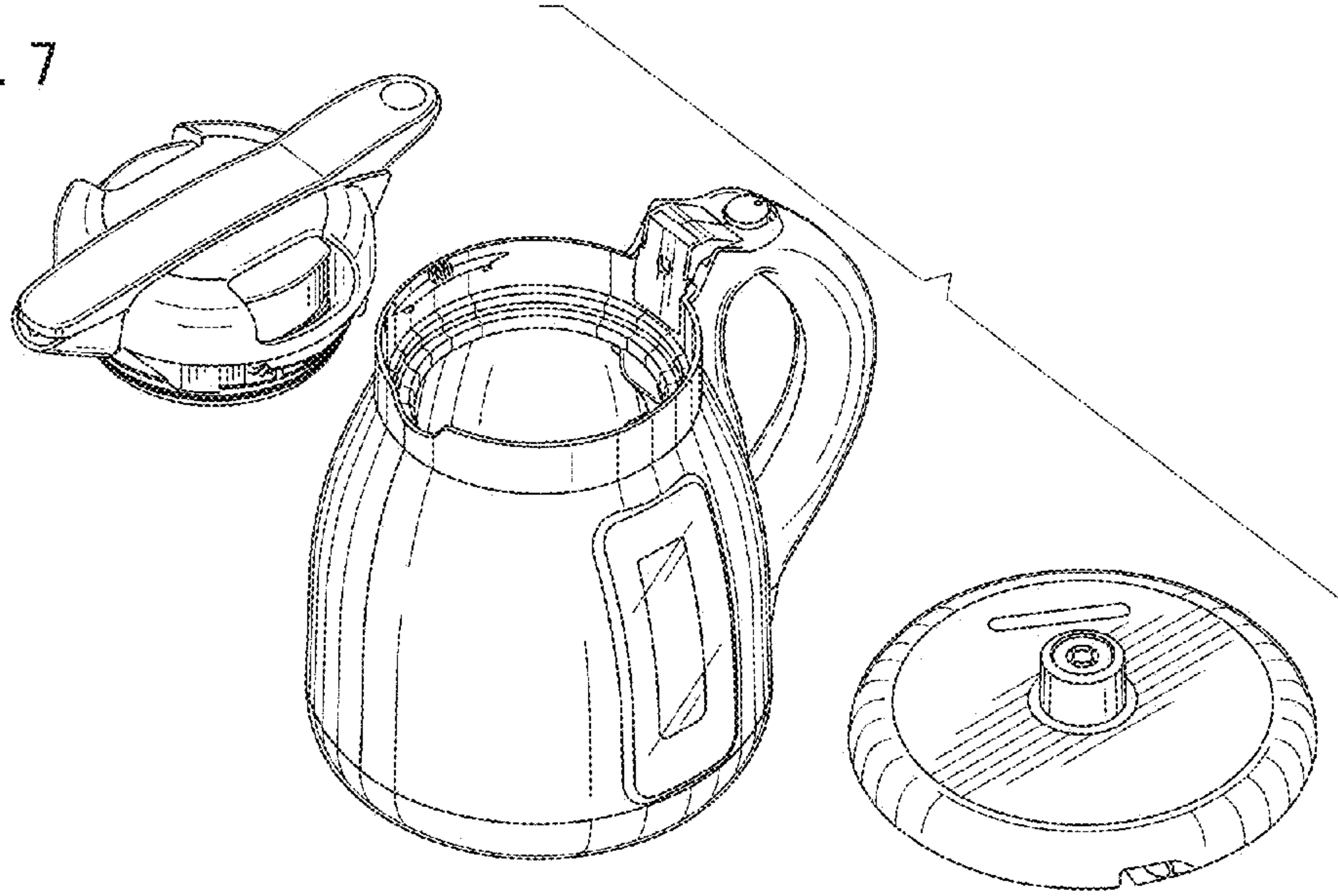


Fig. 8

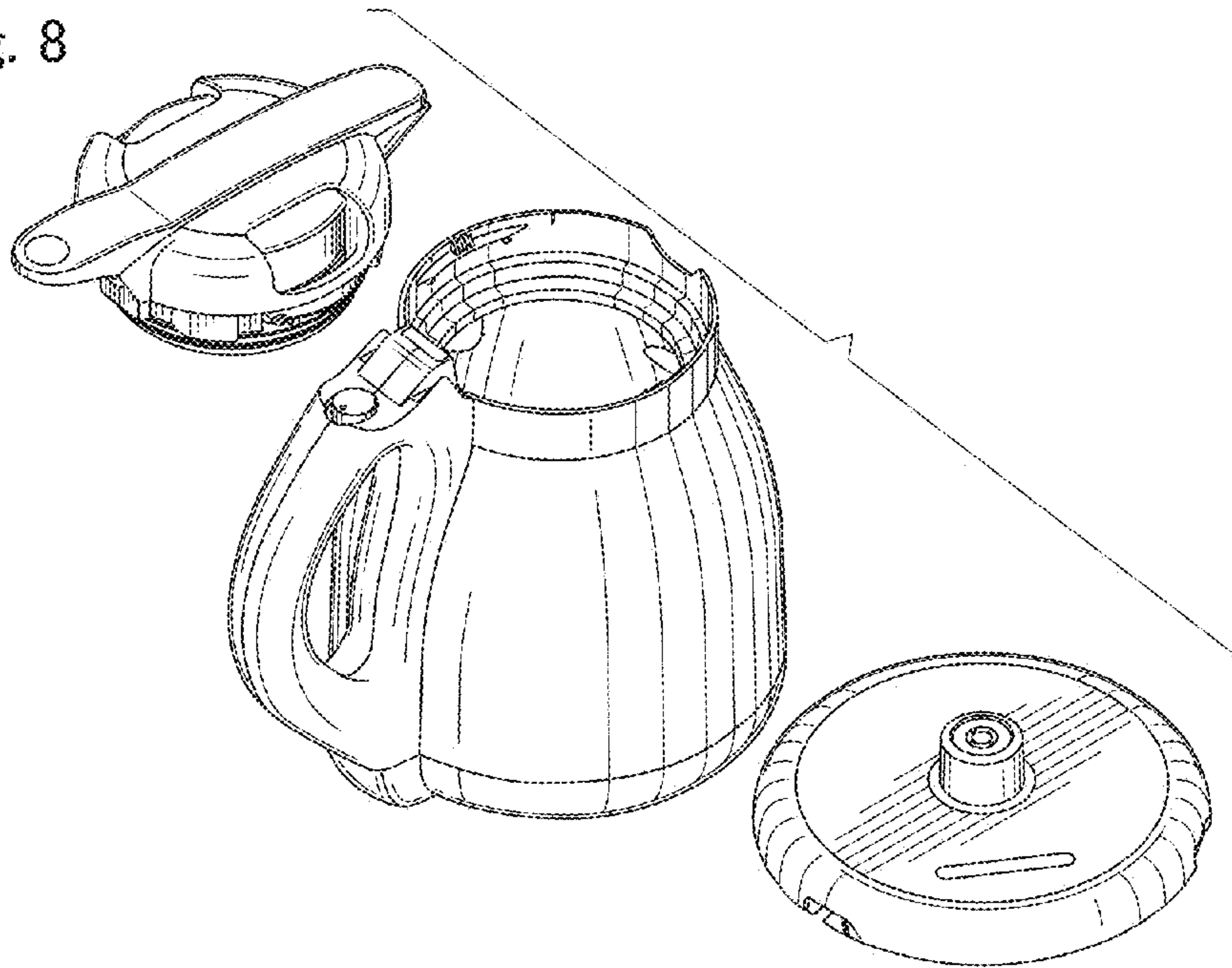




Fig. 9

