



US00D727084S

(12) **United States Design Patent**
Dorr et al.

(10) **Patent No.:** **US D727,084 S**
(45) **Date of Patent:** **** Apr. 21, 2015**

(54) **BREWER**

(56) **References Cited**

(71) Applicant: **Bunn-O-Matic Corporation,**
Springfield, IL (US)

U.S. PATENT DOCUMENTS

(72) Inventors: **William Dorr,** Springfield, IL (US);
Nicholas Scott Reback, Springfield, IL
(US)

D570,636 S *	6/2008	Kulujian et al.	D7/306
D645,289 S *	9/2011	Lenzi	D7/309
D645,695 S *	9/2011	Zoppellari	D7/309
D646,109 S *	10/2011	Zoppellari	D7/309
D670,131 S *	11/2012	Feder	D7/309
D675,054 S *	1/2013	Agostini et al.	D7/309
D697,356 S *	1/2014	Choi	D7/305
D701,071 S *	3/2014	Buttler	D7/306
D709,722 S *	7/2014	Luippold et al.	D7/306
D717,091 S *	11/2014	Suzuki et al.	D7/309

(73) Assignee: **Bunn-O-Matic Corporation,**
Springfield, IL (US)

* cited by examiner

(**) Term: **14 Years**

Primary Examiner — Marianne Pandozzi

(21) Appl. No.: **29/473,021**

(74) *Attorney, Agent, or Firm* — Barnes & Thornburg LLP

(22) Filed: **Nov. 18, 2013**

(57) **CLAIM**

The ornamental design for a brewer, as shown and described.

(51) **LOC (10) Cl.** **07-01**

DESCRIPTION

(52) **U.S. Cl.**

USPC **D7/309; D7/311**

FIG. 1 is a right side perspective view of our new design;
FIG. 2 is a front elevational view thereof;
FIG. 3 is a left side elevational view thereof,
FIG. 4 is a right side elevational view thereof;
FIG. 5 is a rear elevational view thereof;
FIG. 6 is a top view thereof;
FIG. 7 is a bottom view thereof; and,
FIG. 8 is a left side perspective view of our new design.
The broken lines shown in the drawings are for purposes of
illustrating portions of the design and form no part of the
claimed design.

(58) **Field of Classification Search**

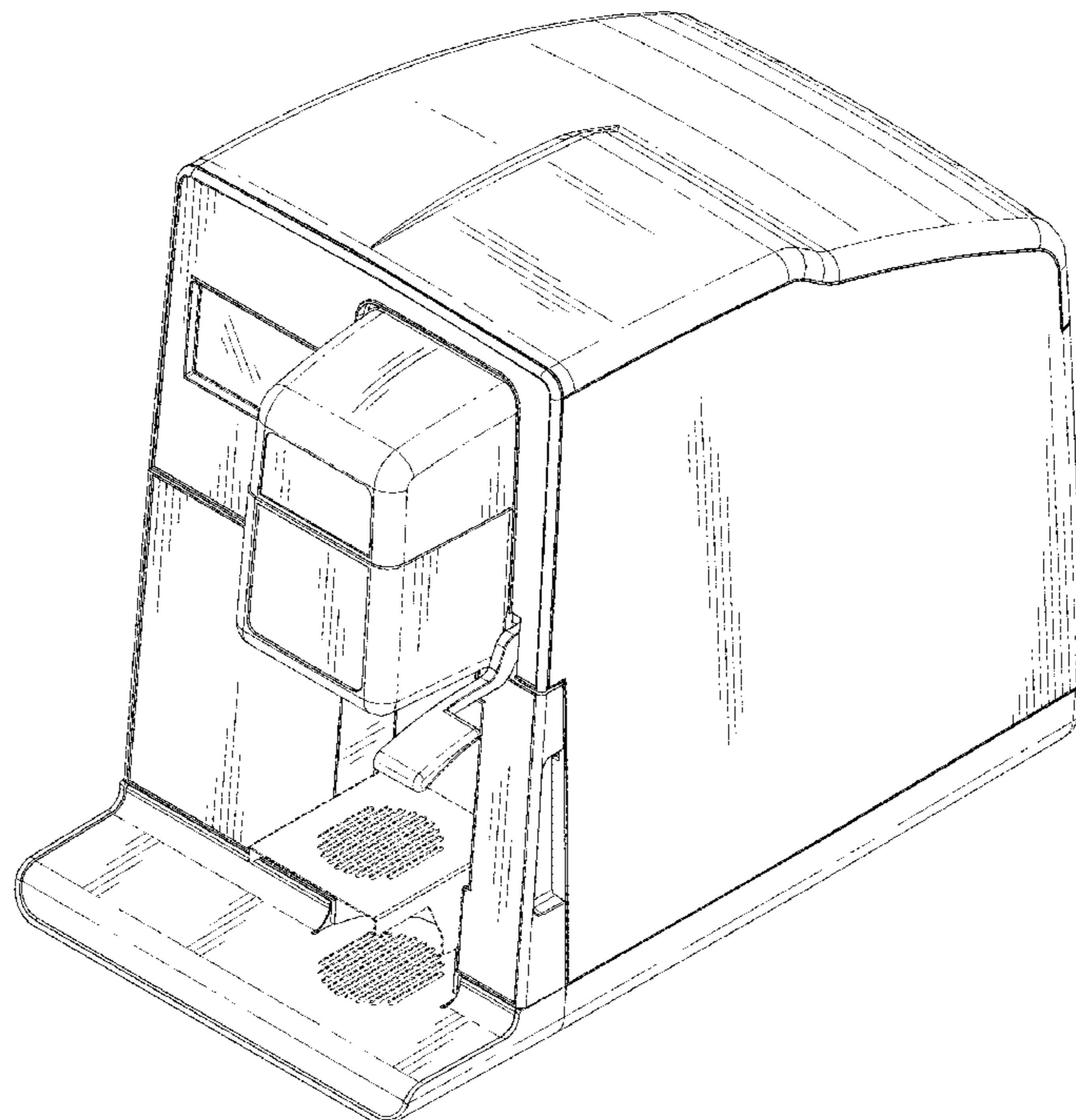
CPC B67D 3/00

USPC D7/306-311, 301, 300, 326, 305, 386,
D7/399, 397; 99/281, 305, 307, 280, 284,
99/300; 141/247; 222/129.1, 129.3, 145.6;

D20/4, 5; D23/207

See application file for complete search history.

1 Claim, 8 Drawing Sheets



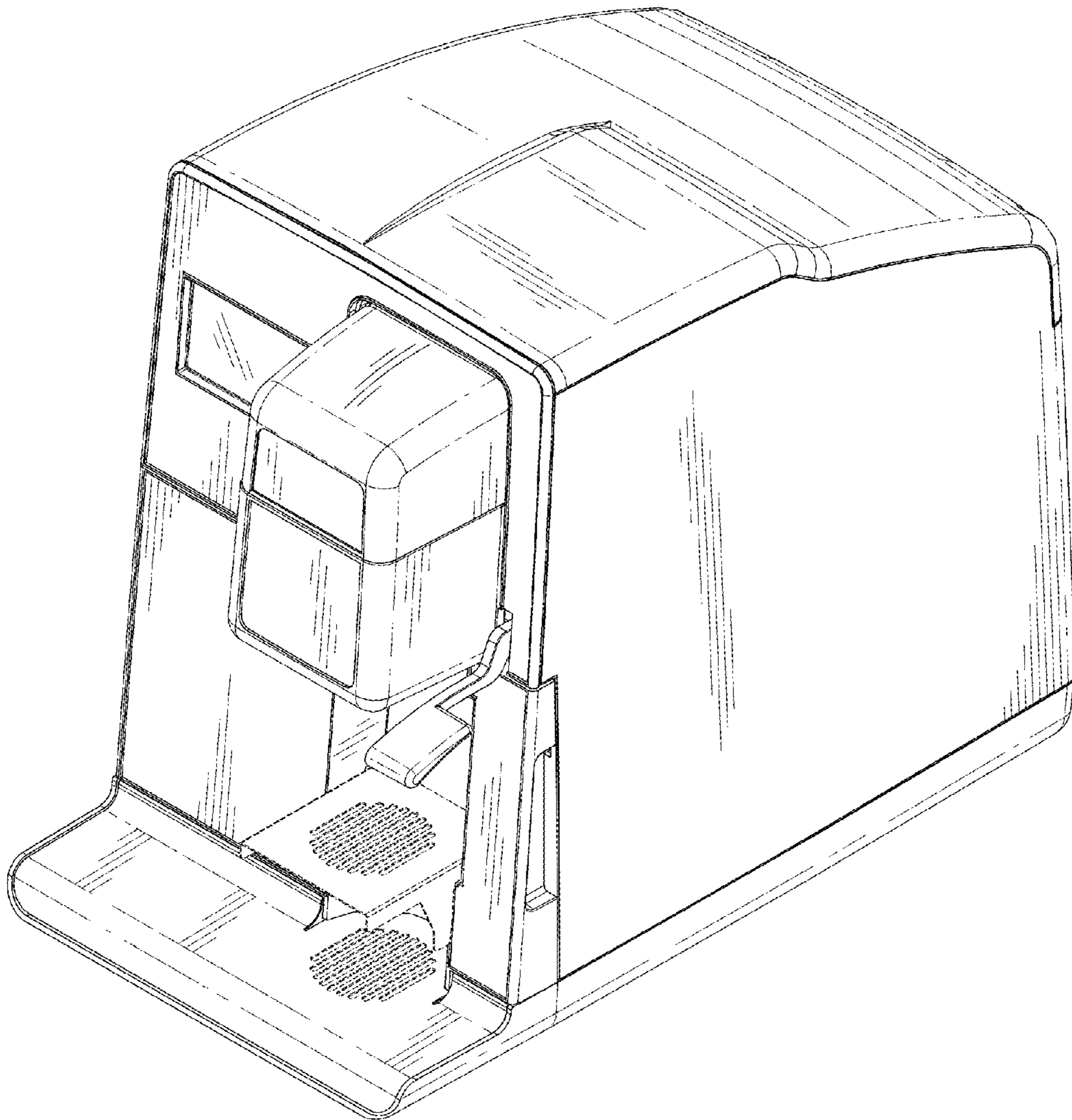


FIG. 1



FIG. 2

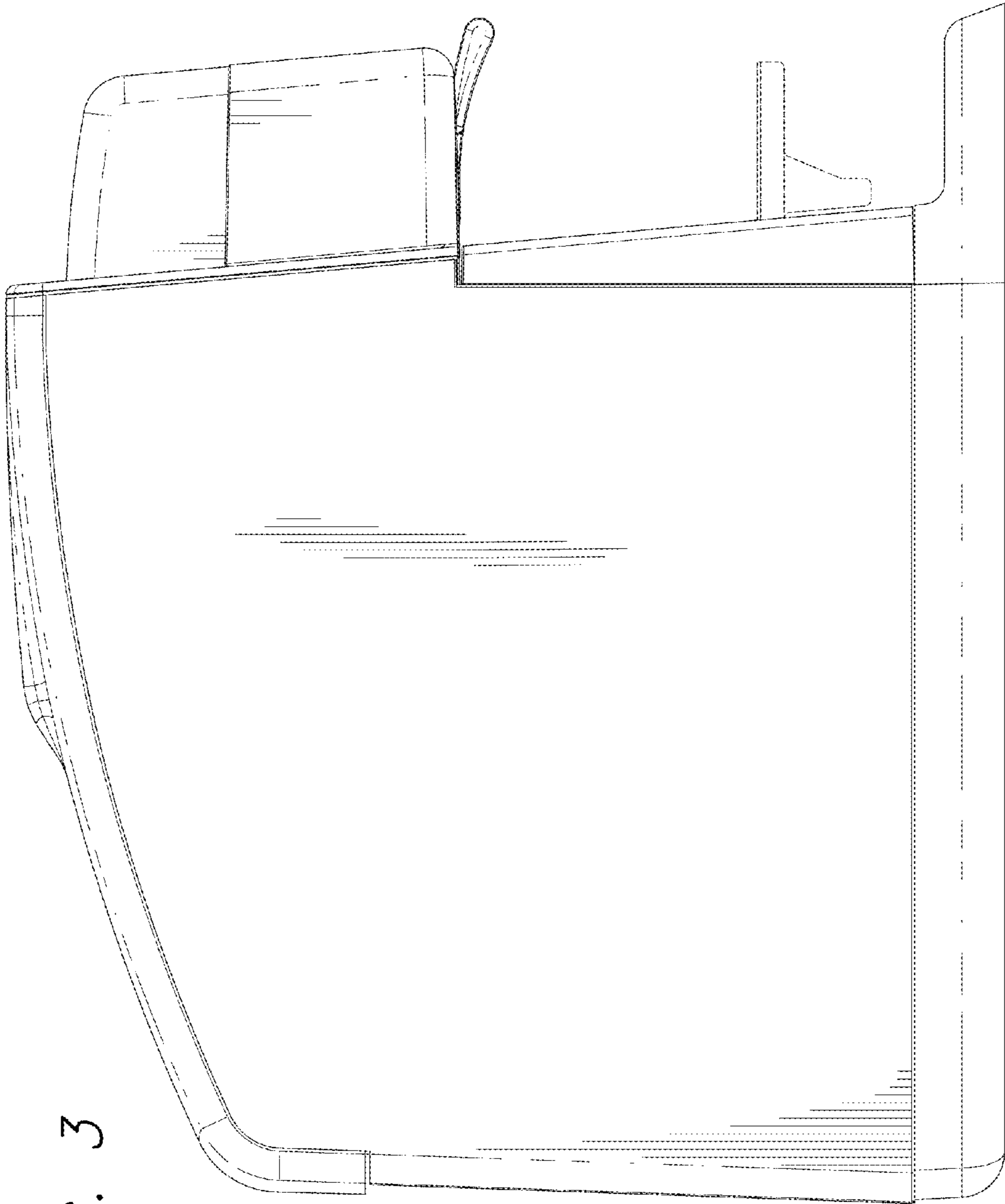
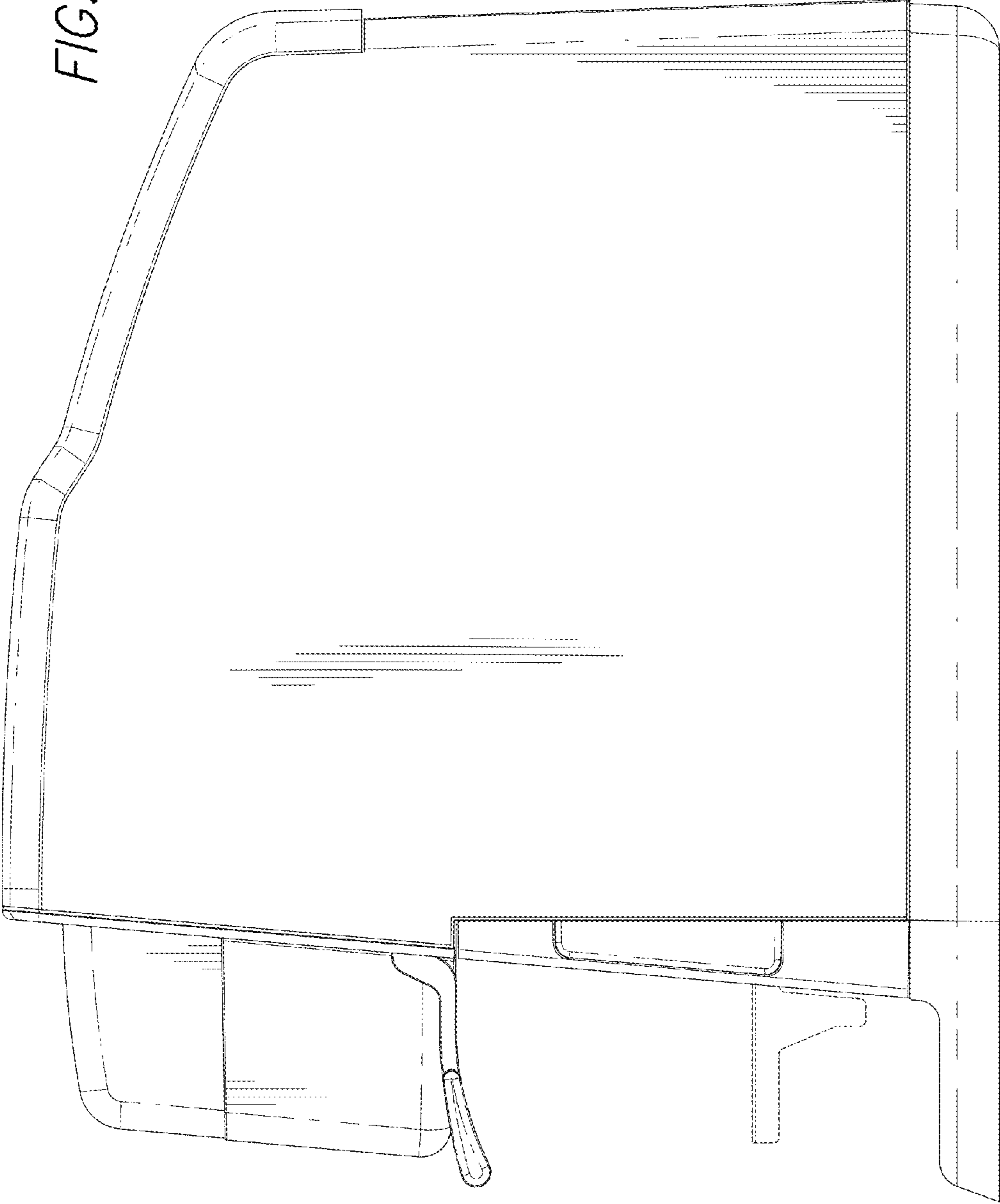


FIG. 3

FIG. 4



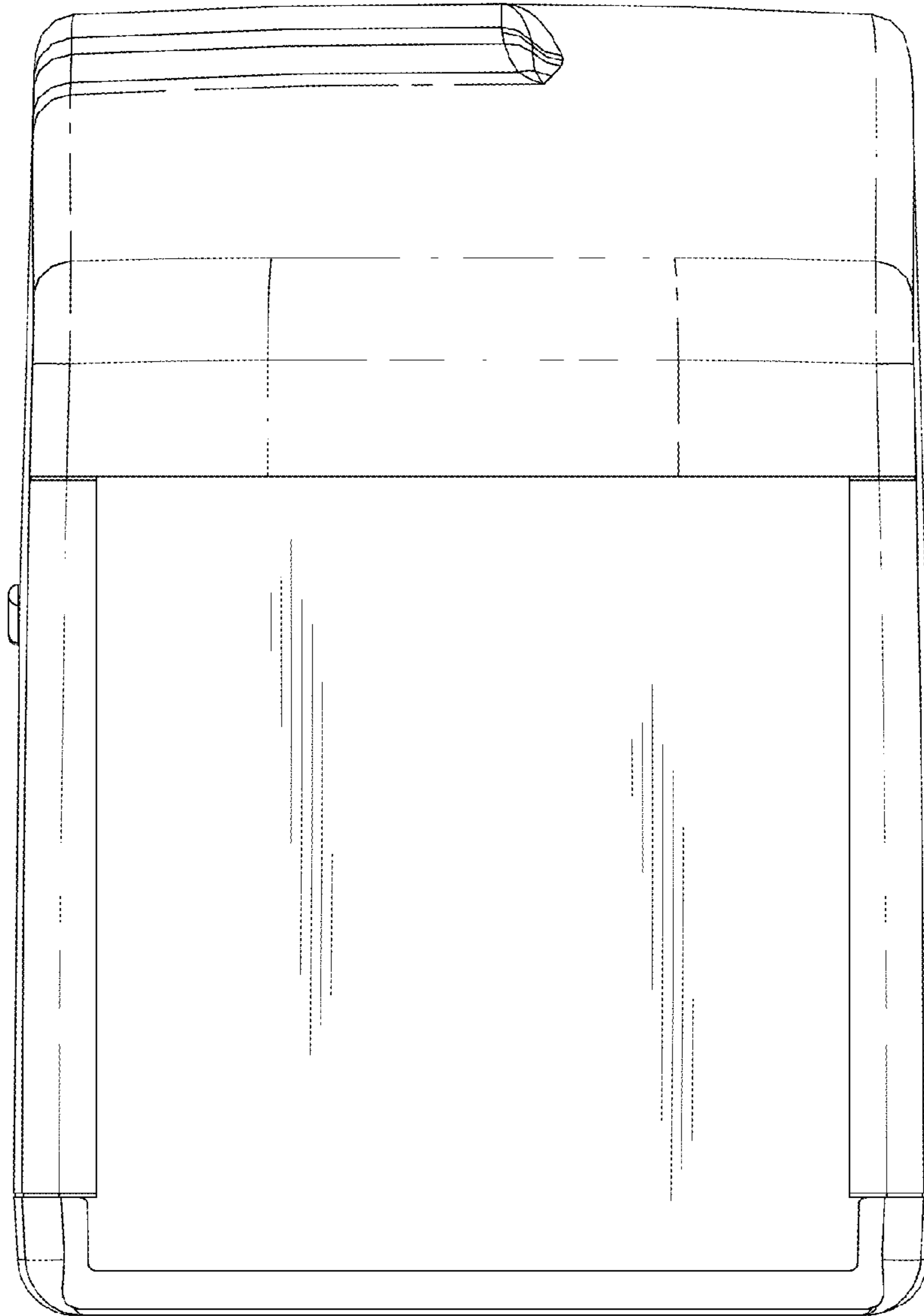


FIG. 5

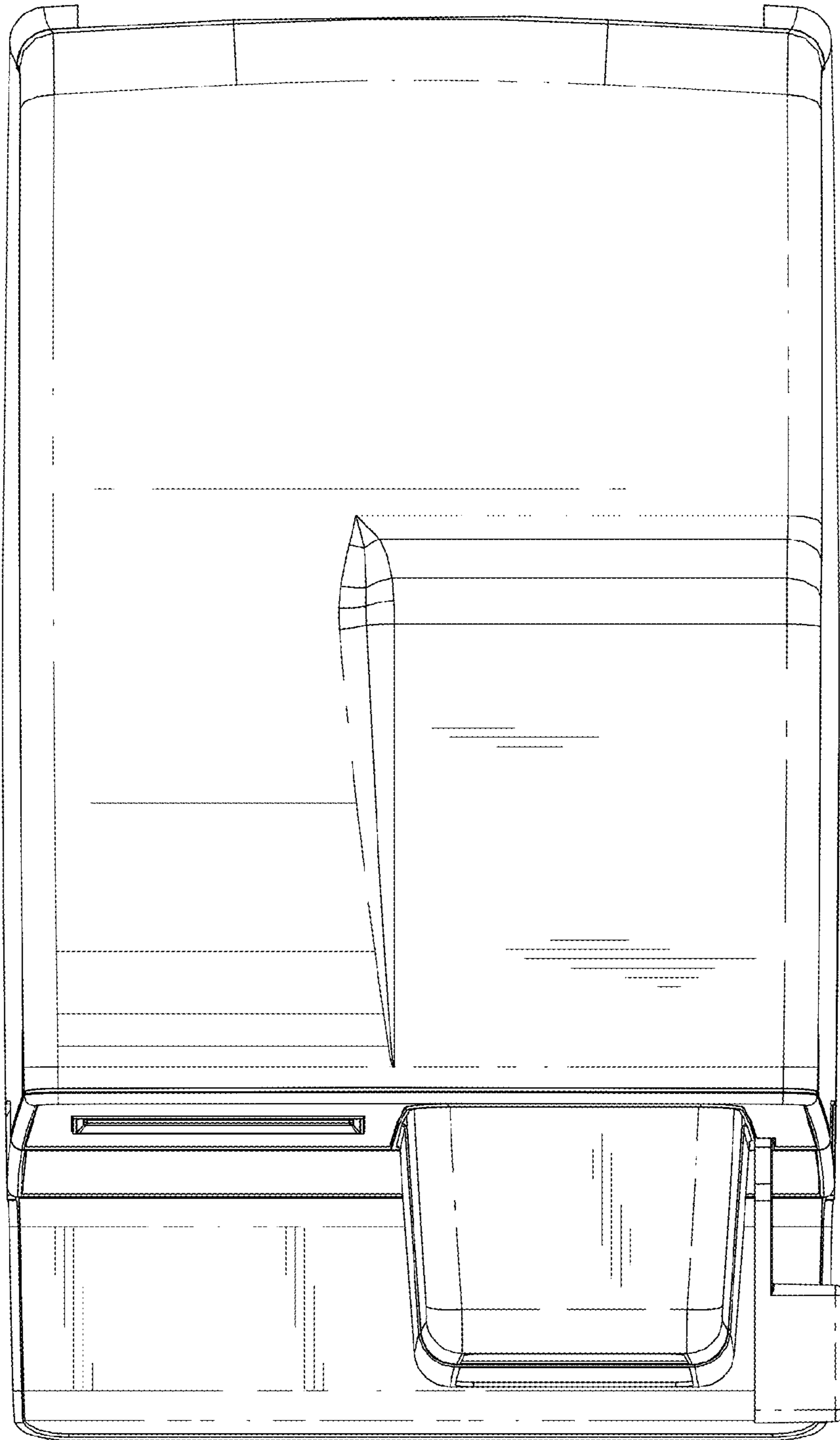


FIG. 6

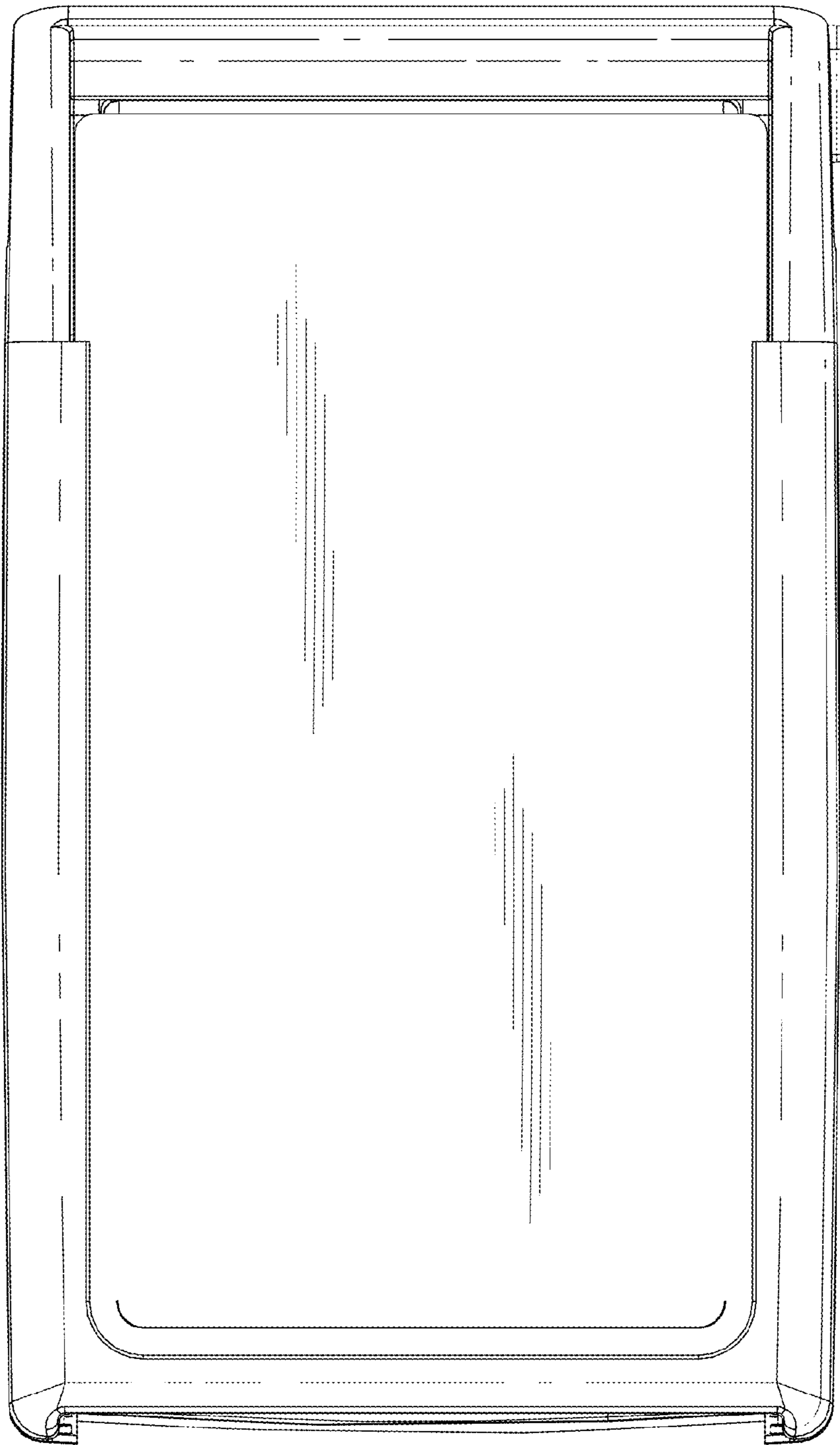


FIG. 7

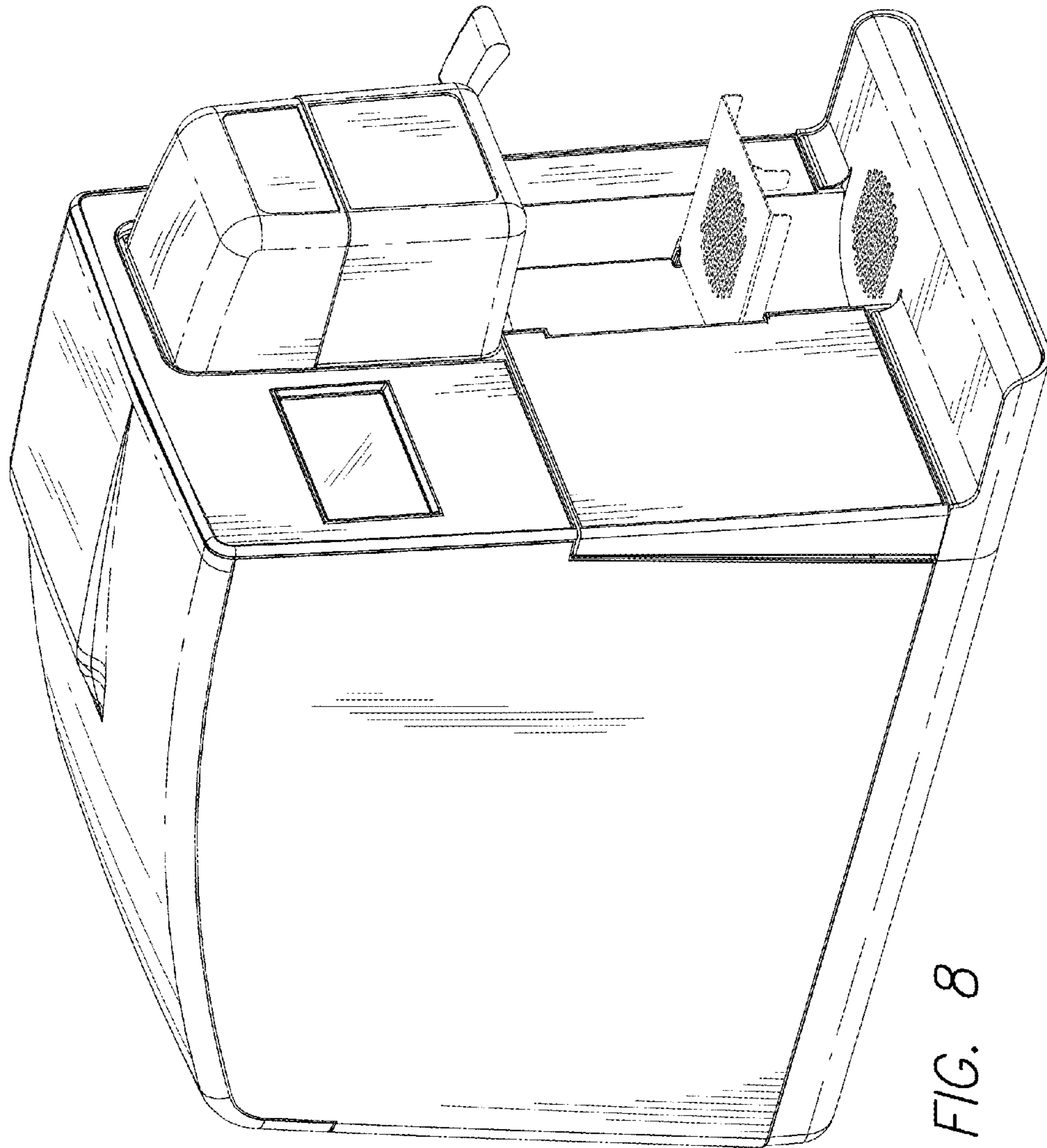


FIG. 8