



US00D727082S

(12) **United States Design Patent**  
**Harrelson**

(10) **Patent No.:** **US D727,082 S**  
(45) **Date of Patent:** **\*\* Apr. 21, 2015**

- (54) **DRINKING STRAW**
- (71) Applicant: **Timothy M. Harrelson**, Georgetown, SC (US)
- (72) Inventor: **Timothy M. Harrelson**, Georgetown, SC (US)
- (\*\*) Term: **14 Years**
- (21) Appl. No.: **29/502,702**
- (22) Filed: **Sep. 18, 2014**
- (51) **LOC (10) Cl.** ..... **07-06**
- (52) **U.S. Cl.**  
USPC ..... **D7/300.2**
- (58) **Field of Classification Search**  
CPC .... A47G 21/18; A47G 21/186; A47G 21/182  
USPC ..... D7/300.2, 301, 305, 509; D24/108, D24/112; 215/229, 388, 389; 239/16, 17, 239/24, 33; 604/35; 433/91, 96  
See application file for complete search history.

D446,072 S *	8/2001	Cohen	.....	D7/300.2
D450,127 S	11/2001	Trujillo		
D472,320 S	3/2003	Turbeville, Jr. et al.		
6,675,981 B1	1/2004	Lesko		
D491,336 S *	6/2004	Cecere	.....	D1/102
7,172,085 B2	2/2007	Beaudette		
7,255,241 B2	8/2007	Yoneoka et al.		
RE40,430 E *	7/2008	Markham	.....	119/707
7,537,173 B1	5/2009	Kogan		
D609,526 S *	2/2010	Tuttle	.....	D7/507
D627,836 S *	11/2010	Hanoun	.....	D21/680
D661,458 S *	6/2012	Mingyun et al.	.....	D1/199
2012/0067910 A1	3/2012	Chun		

\* cited by examiner

*Primary Examiner* — George D Kirschbaum  
*Assistant Examiner* — Kendra L Hamilton  
(74) *Attorney, Agent, or Firm* — P. Jeff Martin; The Law Firm of P. Jeffrey Martin, LLC

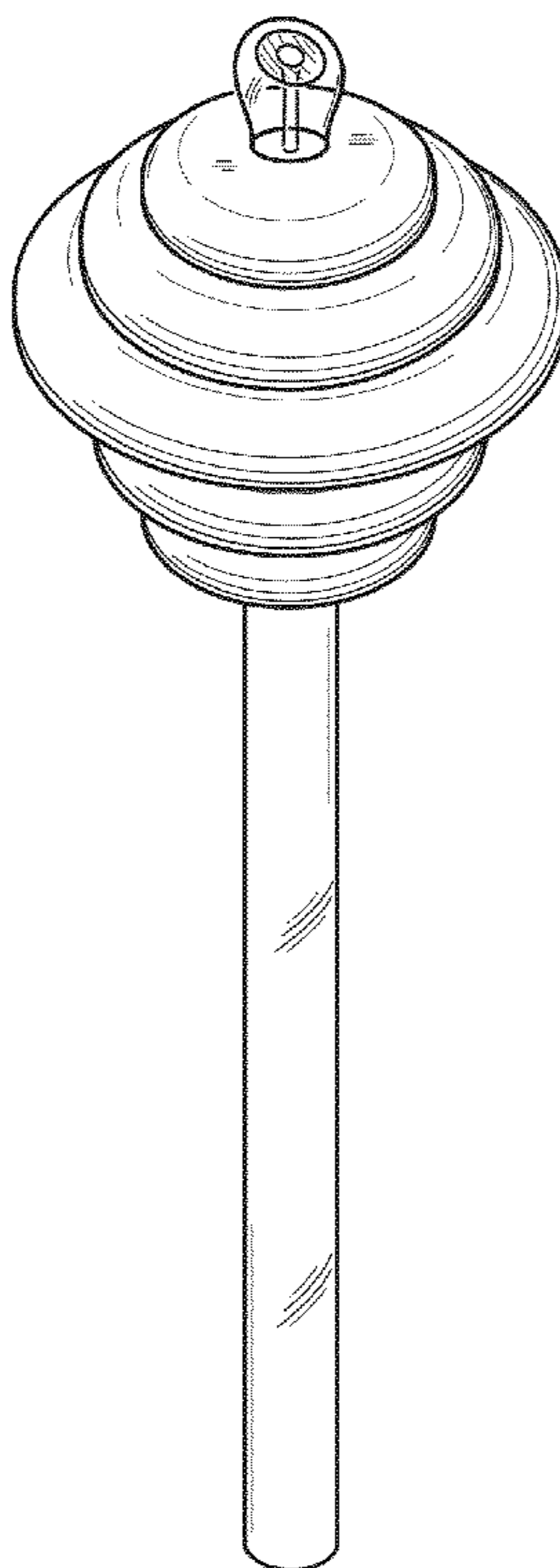
(57) **CLAIM**  
The ornamental design for a drinking straw, as shown and described.

**DESCRIPTION**

FIG. 1 is a front perspective view of a drinking straw showing my new design;  
FIG. 2 is a front view thereof;  
FIG. 3 is a left side view thereof;  
FIG. 4 is a rear view thereof;  
FIG. 5 is a right view of thereof;  
FIG. 6 is a top plan view thereof; and,  
FIG. 7 is a bottom plan view thereof.

**1 Claim, 4 Drawing Sheets**

- (56) **References Cited**  
U.S. PATENT DOCUMENTS
- |                |         |               |       |         |
|----------------|---------|---------------|-------|---------|
| 2,462,757 A *  | 2/1949  | Loycz         | ..... | 62/130  |
| 2,975,925 A *  | 3/1961  | Chambers      | ..... | 215/387 |
| 4,134,494 A *  | 1/1979  | Wong          | ..... | 206/216 |
| D294,190 S *   | 2/1988  | Aquarius      | ..... | D1/102  |
| 4,969,564 A    | 11/1990 | Cohen et al.  |       |         |
| 5,588,548 A    | 12/1996 | Brankley      |       |         |
| 5,873,474 A    | 2/1999  | Gray          |       |         |
| 6,261,211 B1 * | 7/2001  | Suarez et al. | ..... | 482/107 |



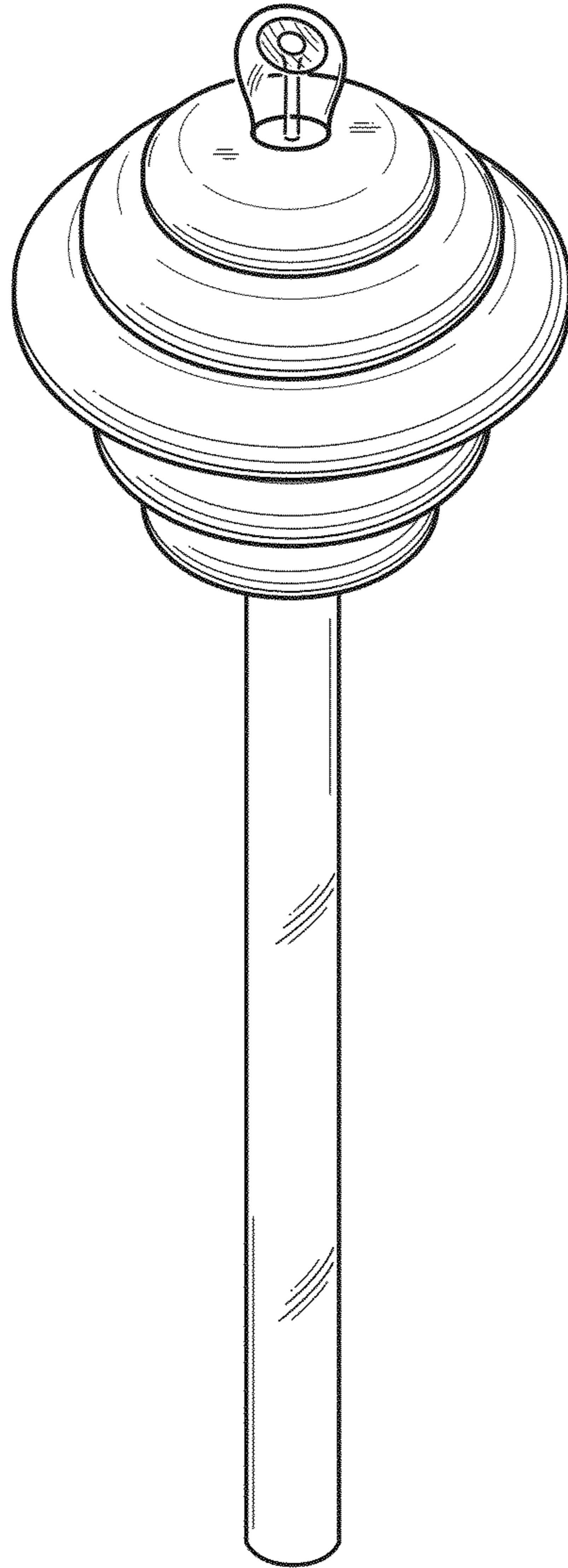


FIG. 1

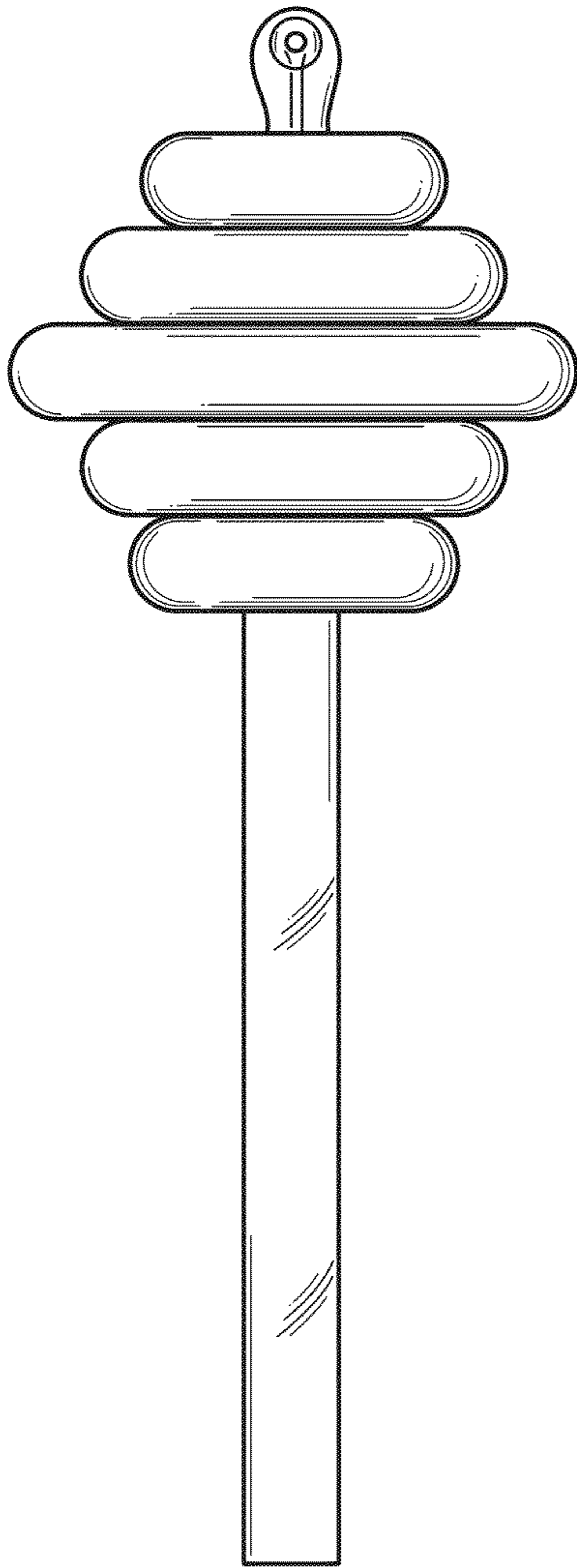


FIG. 2

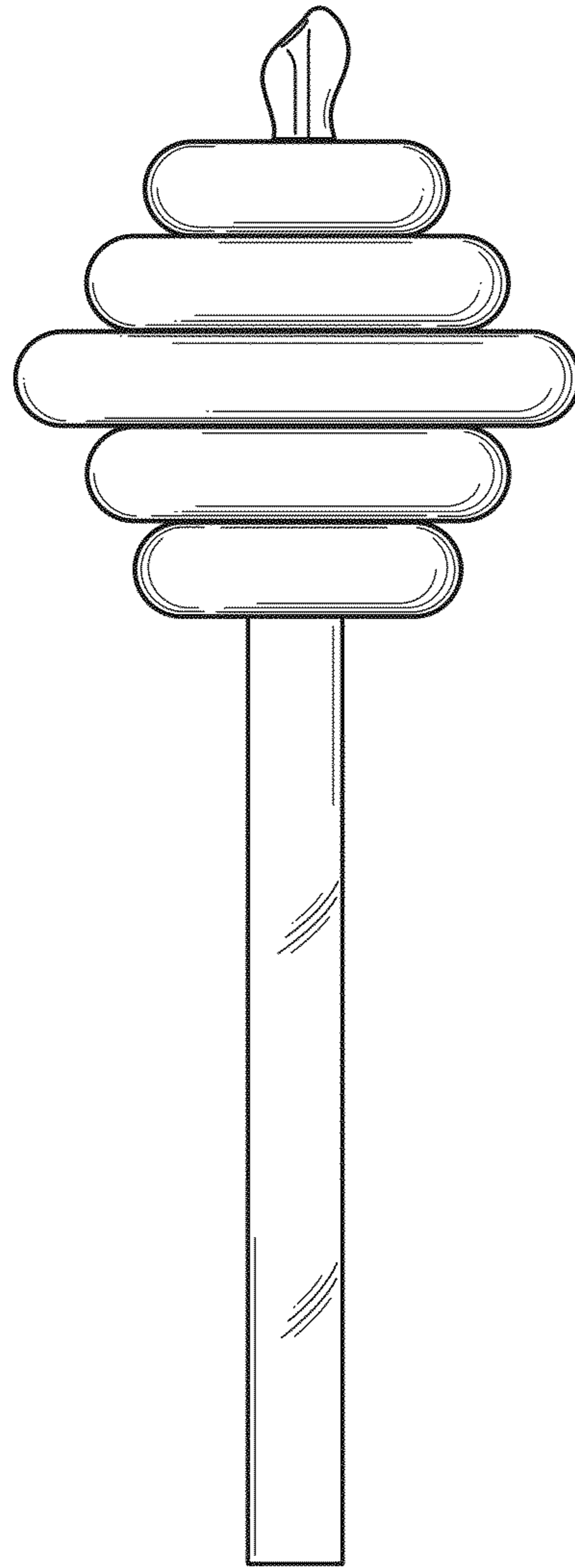


FIG. 3

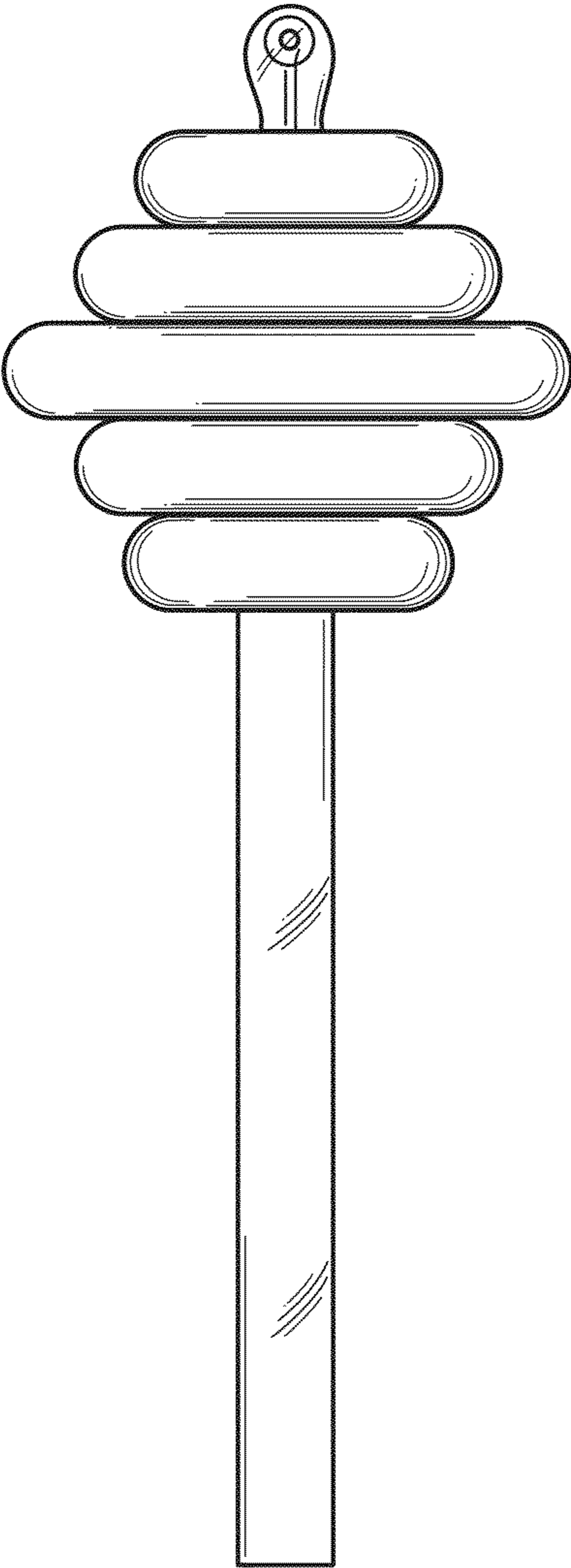


FIG. 4

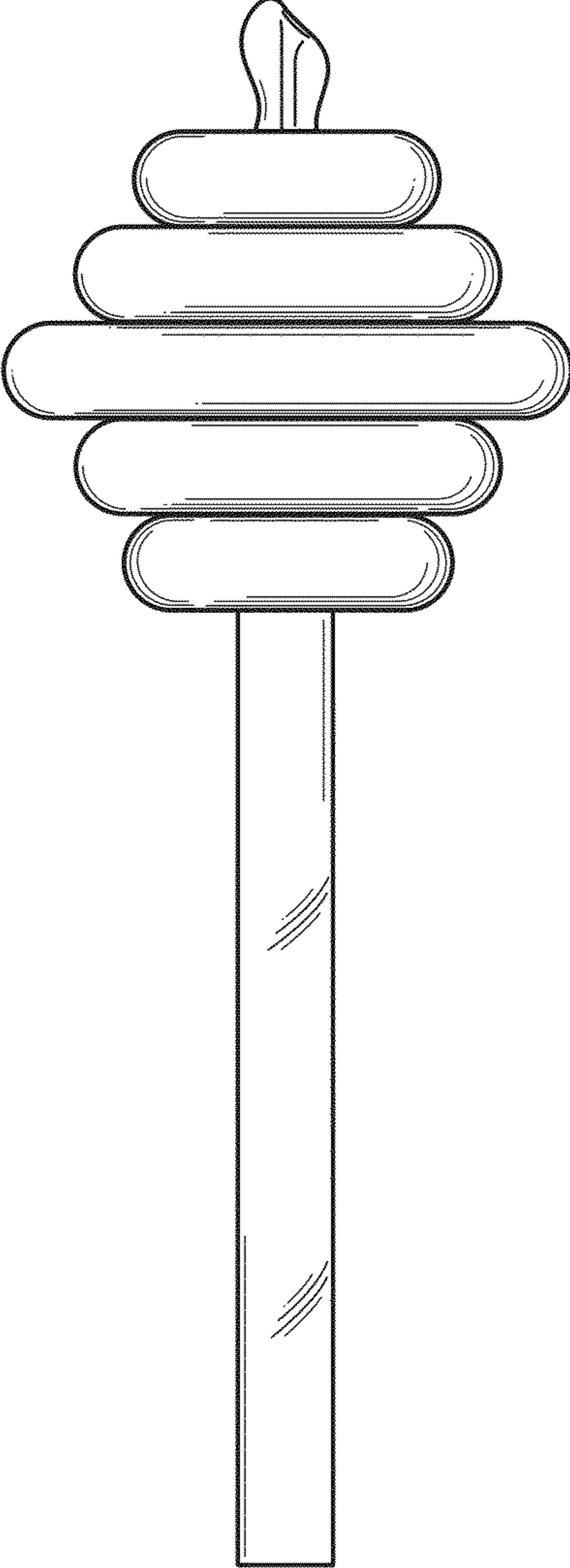
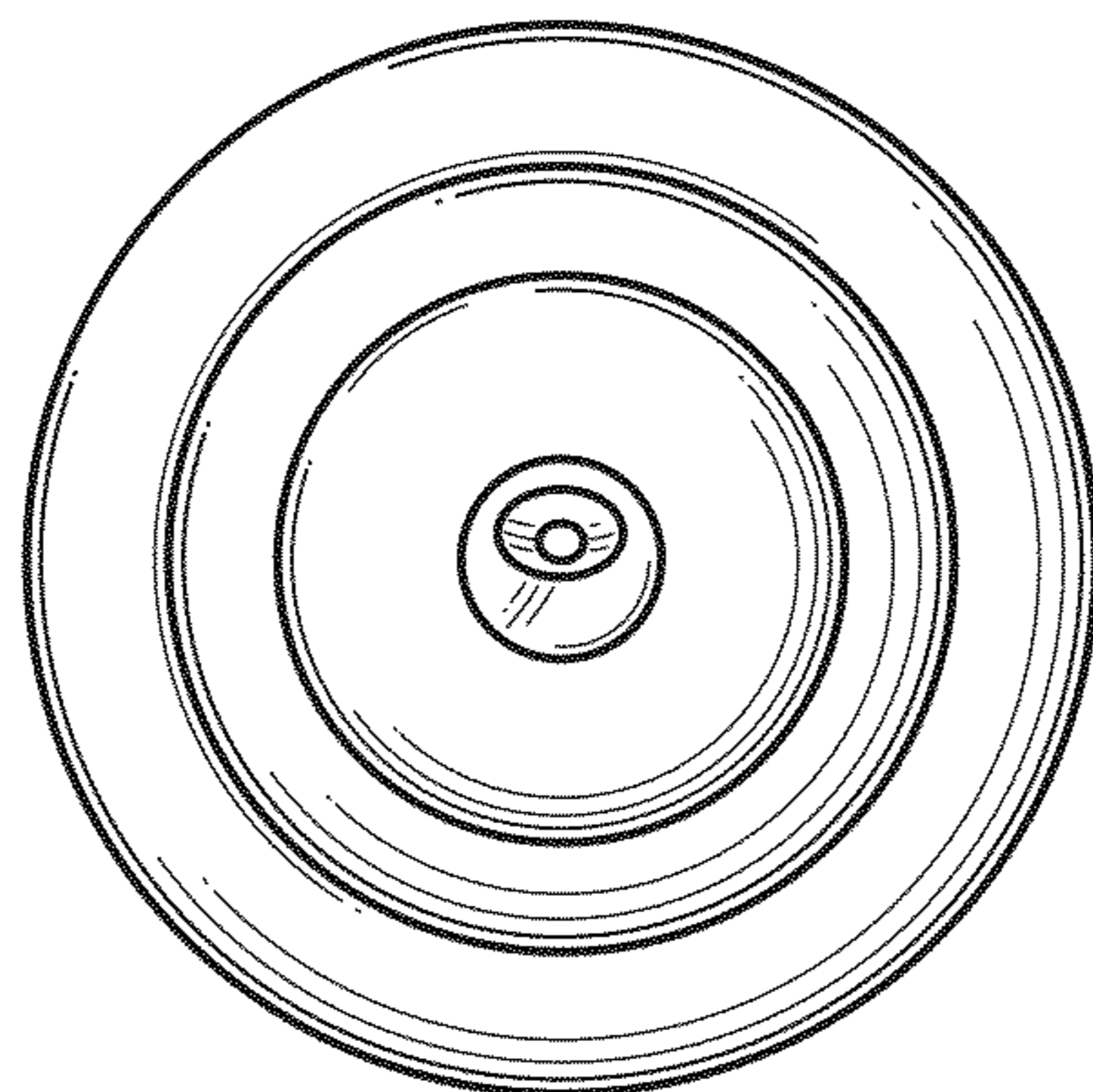
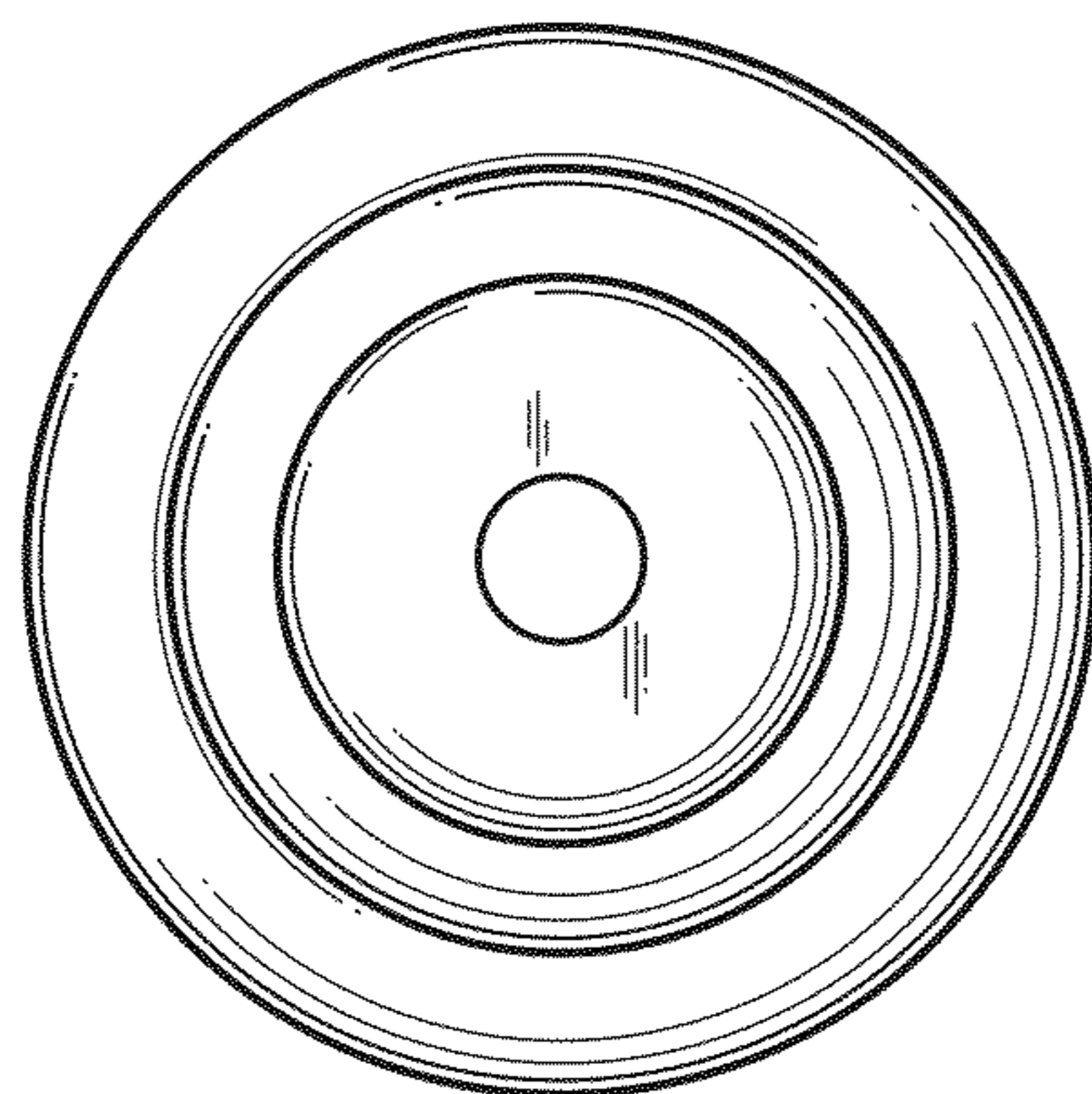


FIG. 5



**FIG. 6**



**FIG. 7**