



US00D727080S

(12) **United States Design Patent**
Cogorno

(10) **Patent No.:** **US D727,080 S**
(45) **Date of Patent:** **** Apr. 21, 2015**

(54) **SEAT EXTENDER TRACK**
(71) Applicant: **Griffin Cogorno**, Costa Mesa, CA (US)
(72) Inventor: **Griffin Cogorno**, Costa Mesa, CA (US)
(73) Assignee: **ExtendMySeat LLC**, Costa Mesa, CA (US)

(**) Term: **14 Years**

(21) Appl. No.: **29/457,593**

(22) Filed: **Jun. 11, 2013**

(51) **LOC (10) Cl.** **06-01**

(52) **U.S. Cl.**
USPC **D6/716.7**

(58) **Field of Classification Search**
USPC D6/334-336, 360, 364-367, 374-375,
D6/379-380, 716, 716.1-716.7;
244/118.5; 248/345.1, 423, 429;
297/300.1, 300.2, 300.8, 301.1, 301.2,
297/337, 341, 344.1, 344.12, 344.21, 463.1,
297/473; 348/34

See application file for complete search history.

(56) **References Cited**

U.S. PATENT DOCUMENTS

4,508,385 A * 4/1985 Bowman 297/341
4,673,217 A * 6/1987 Nishiyama et al. 297/473
5,275,369 A * 1/1994 Kamata et al. 248/345.1
5,575,564 A * 11/1996 Harmon et al. 384/34

5,944,383 A * 8/1999 Mathey et al. 297/341
5,957,535 A * 9/1999 Pasternak et al. 297/337
6,086,154 A * 7/2000 Mathey et al. 297/341
6,443,414 B1 * 9/2002 Horsfield et al. 248/429
6,892,995 B2 * 5/2005 Tame et al. 248/429
7,150,441 B2 * 12/2006 Leguede et al. 248/423
7,165,753 B2 * 1/2007 Oh 248/429
7,172,250 B2 * 2/2007 Wu 297/344.1
7,410,127 B1 * 8/2008 Ahad 244/118.5

* cited by examiner

Primary Examiner — Ricky Pham

(74) *Attorney, Agent, or Firm* — Rutan & Tucker LLP; Hani Z. Sayed

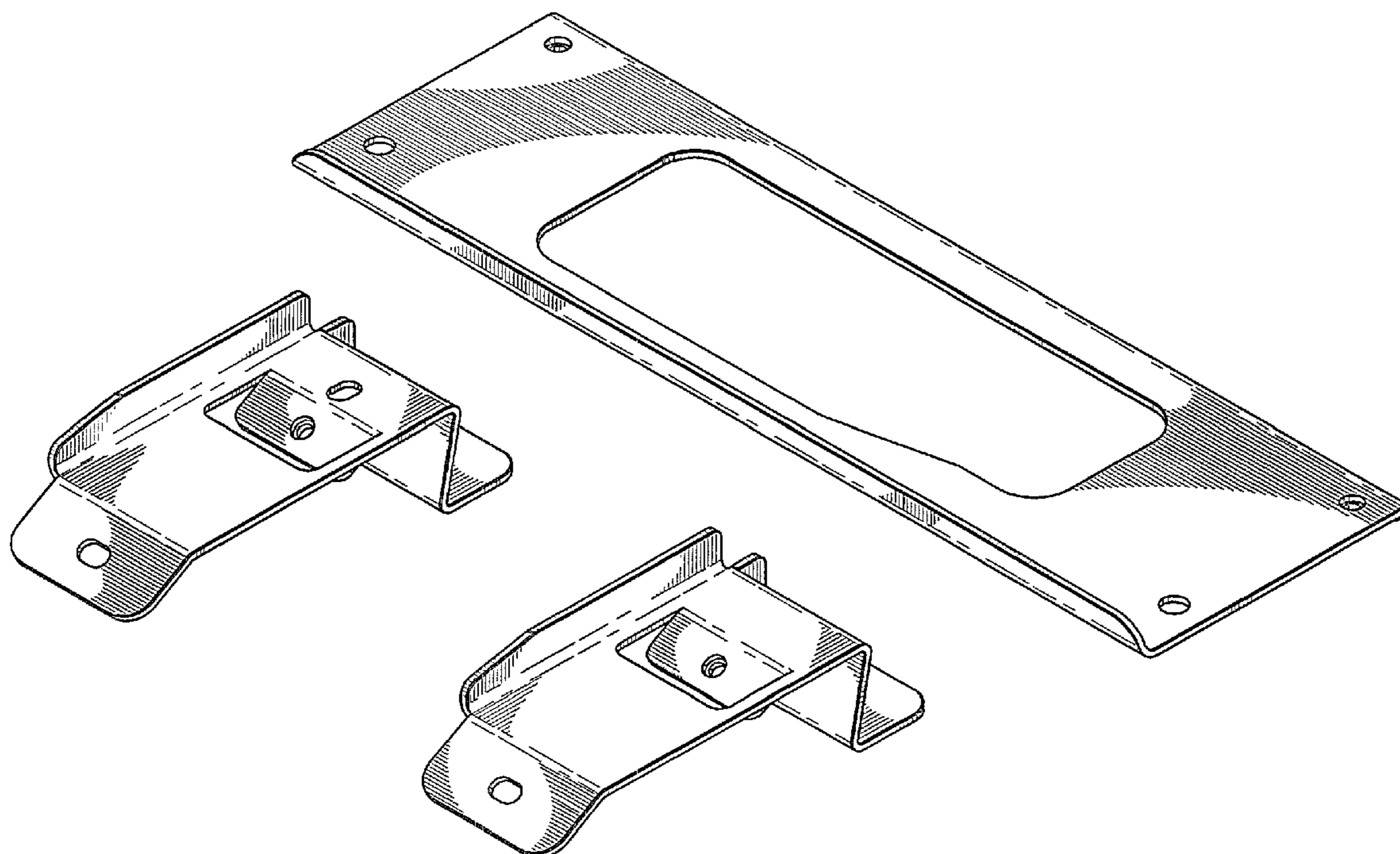
(57) **CLAIM**

The ornamental design for a seat extender track, as shown and described.

DESCRIPTION

FIG. 1 is a top, front, right side, perspective view of a seat extender track of the present invention;
FIG. 2 is bottom, rear, right side, perspective view of the present invention;
FIG. 3 is a front elevation view of the present invention;
FIG. 4 is a rear elevation view of the present invention;
FIG. 5 is a top plan view of the present invention;
FIG. 6 is a bottom plan view of the present invention;
FIG. 7 is a left side elevation view (shown at an enlarged scale) of the present invention; and,
FIG. 8 is a right side elevation view (shown at an enlarged scale) of the present invention.

1 Claim, 6 Drawing Sheets



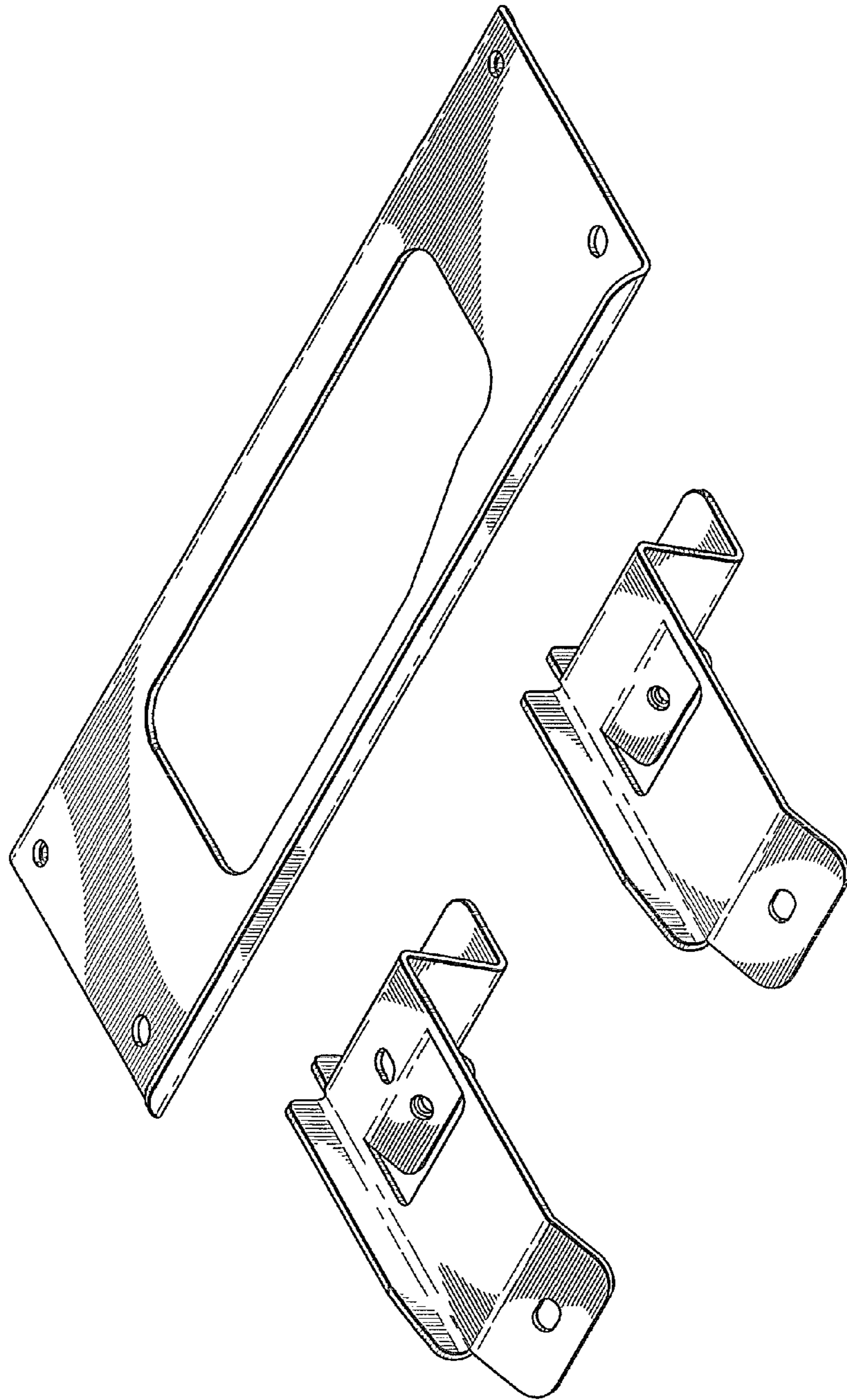


FIG. 1

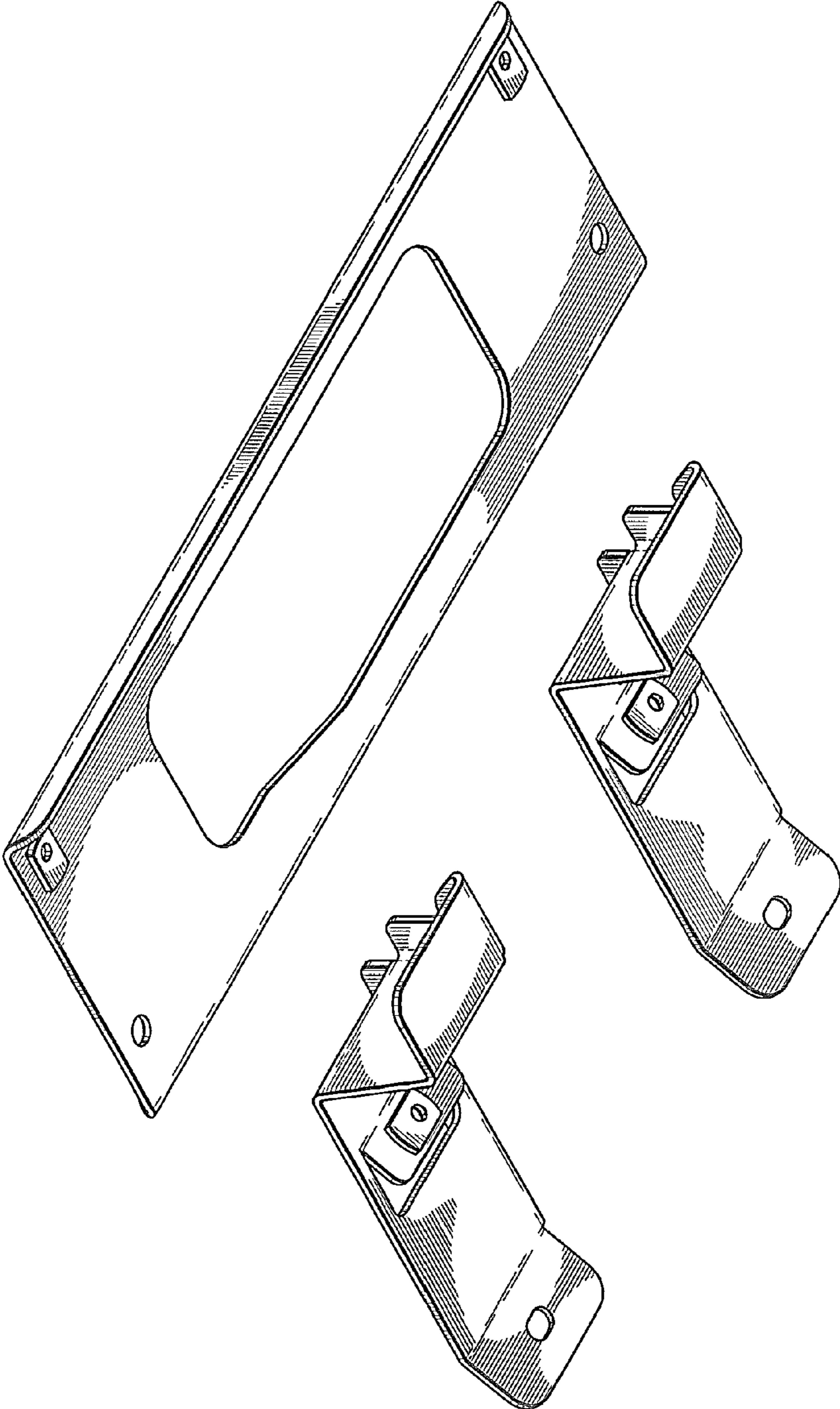


FIG. 2

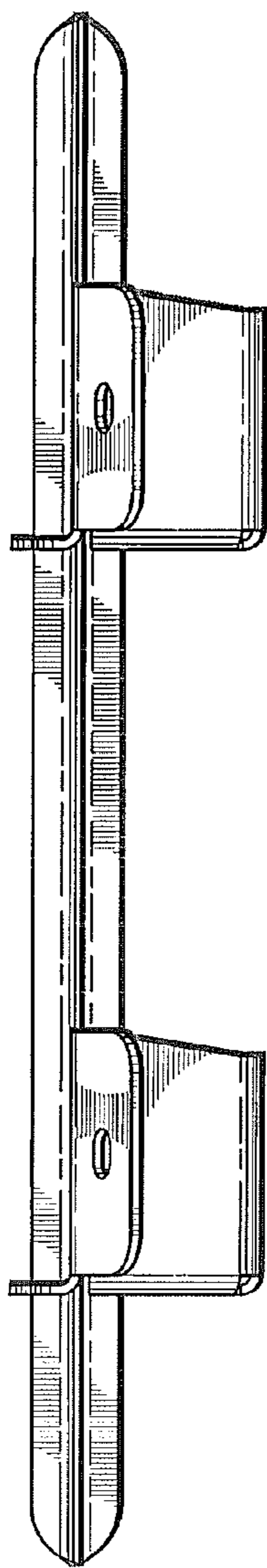
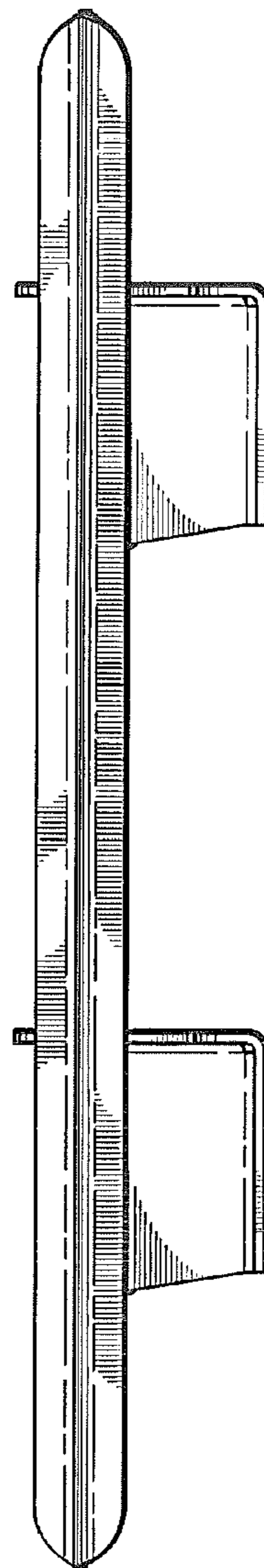


FIG. 3

FIG. 4



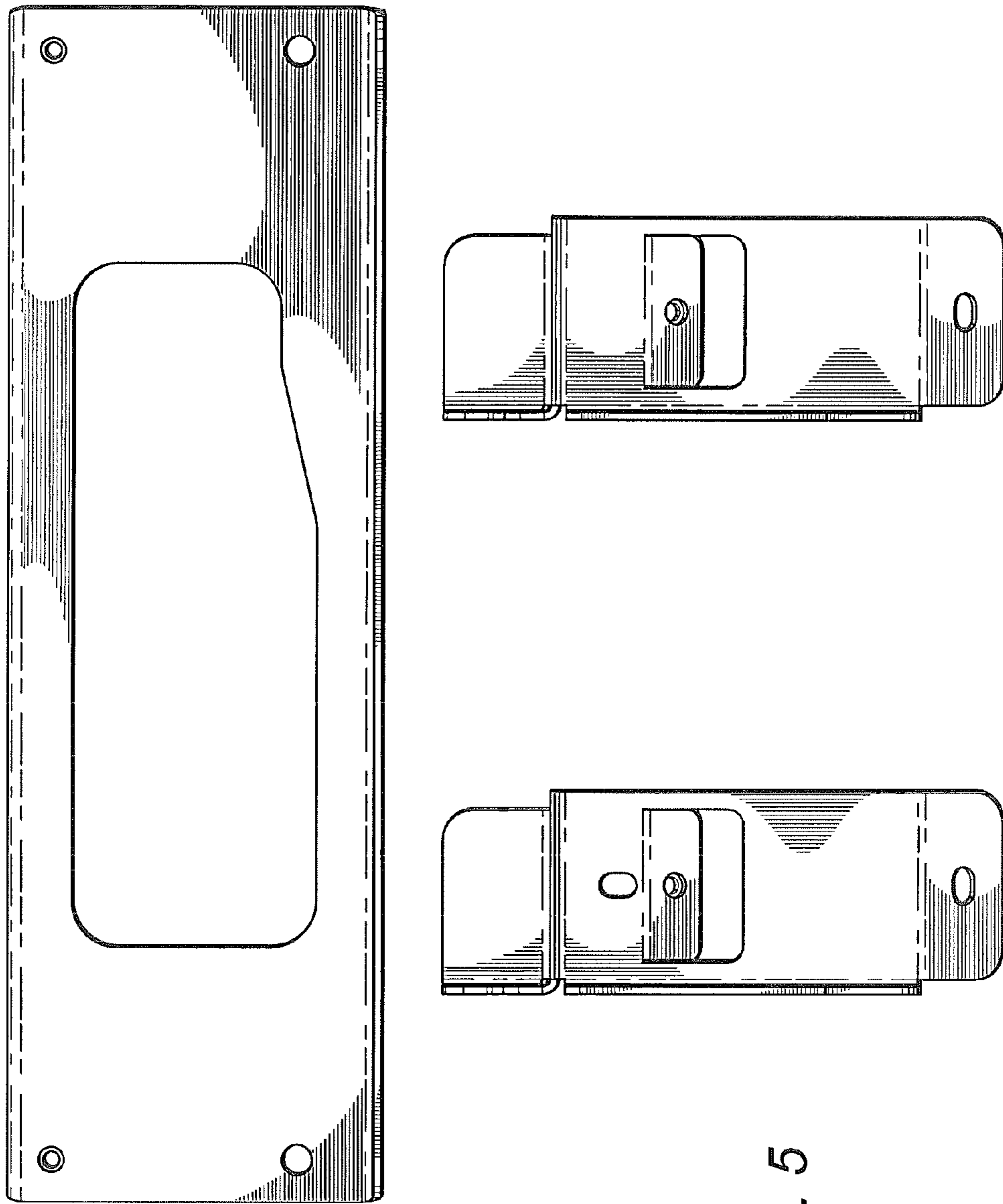


FIG. 5

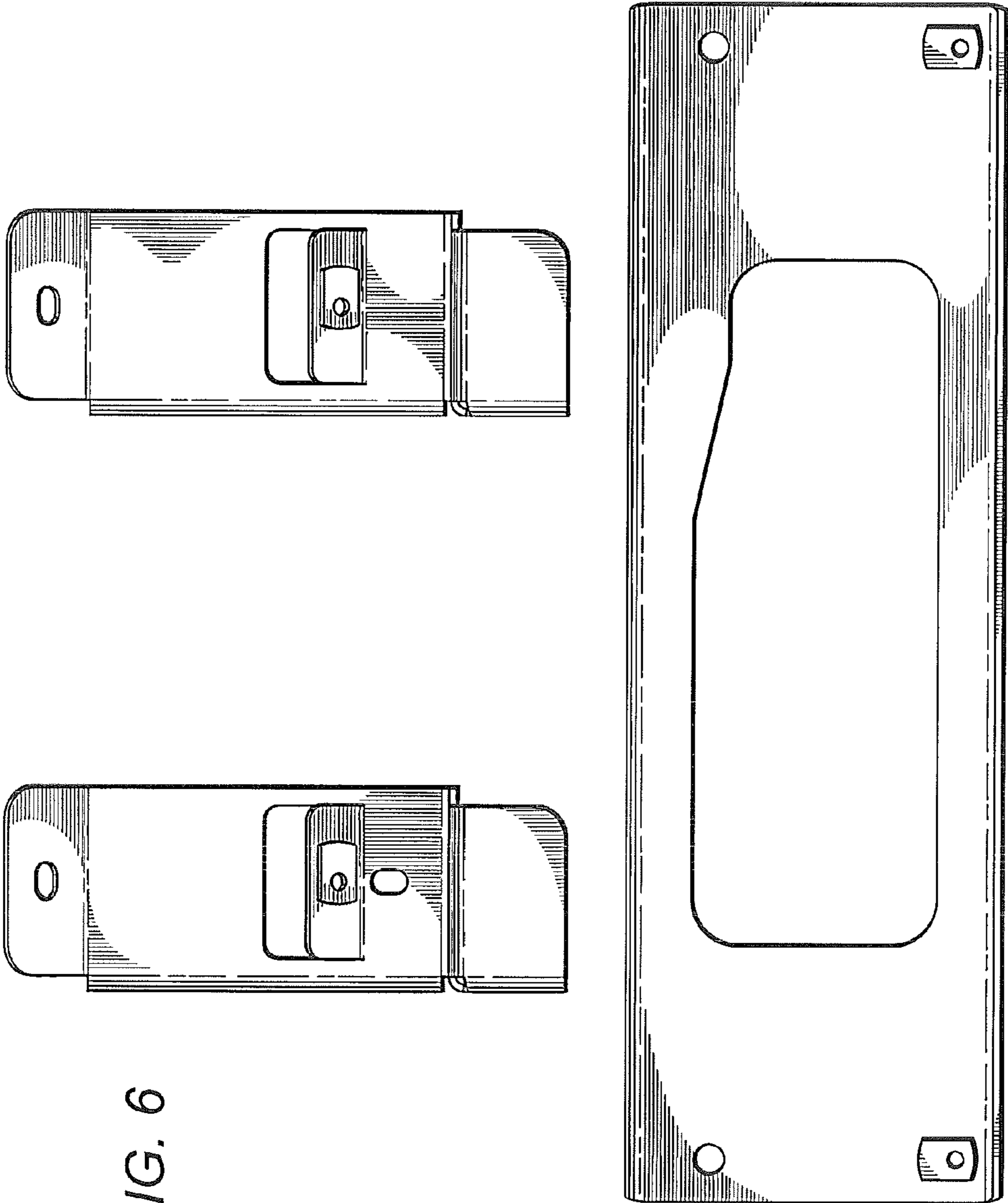


FIG. 6

