



US00D727077S

(12) **United States Design Patent**  
**Ye**

(10) **Patent No.:** **US D727,077 S**  
(45) **Date of Patent:** **\*\* Apr. 21, 2015**

(54) **SIT BOARD**

(71) Applicant: **Starway International Home-Living Co., Ltd.**, Taizhou, Zhejiang (CN)

(72) Inventor: **Genlin Ye**, Zhejiang (CN)

(73) Assignee: **Zhejiang University**, Hangzhou, Zhejiang Province (CN)

(\*\*) Term: **14 Years**

(21) Appl. No.: **29/477,022**

(22) Filed: **Dec. 18, 2013**

(30) **Foreign Application Priority Data**

Jun. 18, 2013 (CN) ..... 2013 3 0257419

(51) **LOC (10) Cl.** ..... **06-01**

(52) **U.S. Cl.**  
USPC ..... **D6/716**

(58) **Field of Classification Search**  
USPC ..... D6/334-336, 344-356, 360-381, 388,  
D6/403, 491-502, 596, 692, 708, 709.2,  
D6/711.1, 716, 716.2-716.4, 717;  
297/440.15-440.23, 445.1, 446.2,  
297/448.1, 452.12, 452.18, 452.2, 452.21,  
297/452.38, 452.48, 452.57, 452.64  
See application file for complete search history.

(56) **References Cited**

**U.S. PATENT DOCUMENTS**

D142,800 S	*	11/1945	Watson	.....	D6/375
D171,208 S	*	12/1953	Jones	.....	D6/375
D171,210 S	*	12/1953	Jones	.....	D6/375
D181,270 S	*	10/1957	Barecki et al.	.....	D6/375

D189,347 S	*	11/1960	Chapman	.....	D6/375
3,201,172 A	*	8/1965	Bliss	.....	297/448.1
3,264,034 A	*	8/1966	Lawson	.....	297/452.57
D214,622 S	*	7/1969	Schier et al.	.....	D6/375
D234,179 S	*	1/1975	Deschamps et al.	.....	D6/375
D236,670 S	*	9/1975	Uyeda	.....	D6/375
D367,982 S	*	3/1996	Stirling et al.	.....	D6/500
D378,553 S	*	3/1997	Newhouse	.....	D6/373
D426,973 S	*	6/2000	Risdall	.....	D6/375
D427,444 S	*	7/2000	Risdall	.....	D6/375
D467,088 S	*	12/2002	Haney et al.	.....	D6/356
D515,331 S	*	2/2006	Piretti	.....	D6/380
D546,574 S	*	7/2007	Kaloustian	.....	D6/374
D562,019 S	*	2/2008	Lievore	.....	D6/366
D564,248 S	*	3/2008	Alter Molina et al.	.....	D6/373
D611,740 S	*	3/2010	Koh	.....	D6/500
D650,606 S	*	12/2011	Radice et al.	.....	D6/375
D665,593 S	*	8/2012	Morrison	.....	D6/375
D669,701 S	*	10/2012	Starck	.....	D6/375
D683,559 S	*	6/2013	Weber et al.	.....	D6/716
D710,638 S	*	8/2014	Bellini	.....	D6/716
D715,573 S	*	10/2014	Lloyd et al.	.....	D6/375

\* cited by examiner

*Primary Examiner* — Ricky Pham

(74) *Attorney, Agent, or Firm* — Han IP Corporation

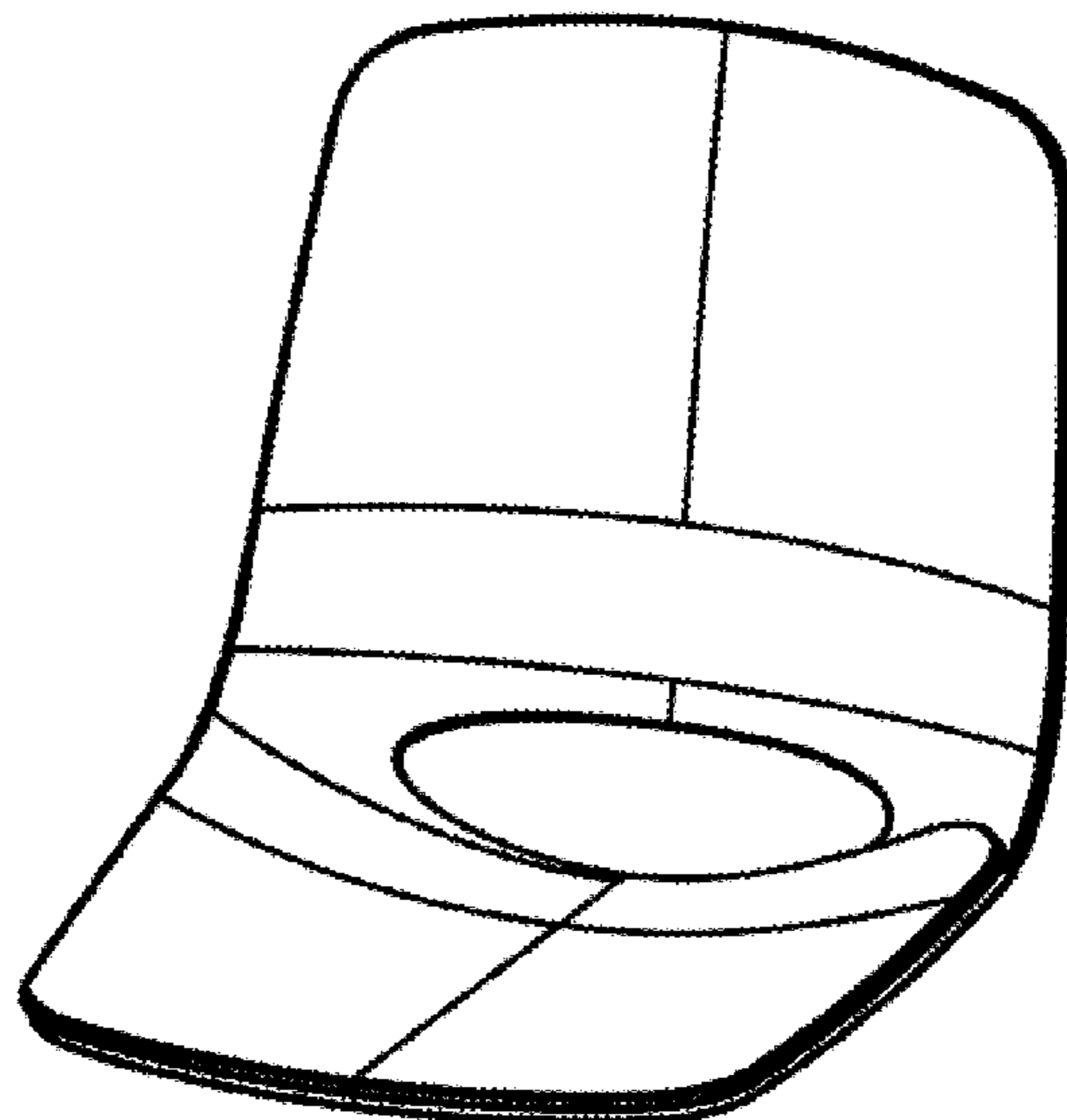
(57) **CLAIM**

The ornamental design for a sit board, as shown.

**DESCRIPTION**

FIG. 1 is a front view of a sit board incorporating a design in accordance with an embodiment of the present disclosure; FIG. 2 is a back view thereof; FIG. 3 is a left side view thereof; FIG. 4 is a right side view thereof; FIG. 5 is a top plan view thereof; FIG. 6 is a bottom plan view thereof; and, FIG. 7 is a perspective view thereof.

**1 Claim, 7 Drawing Sheets**



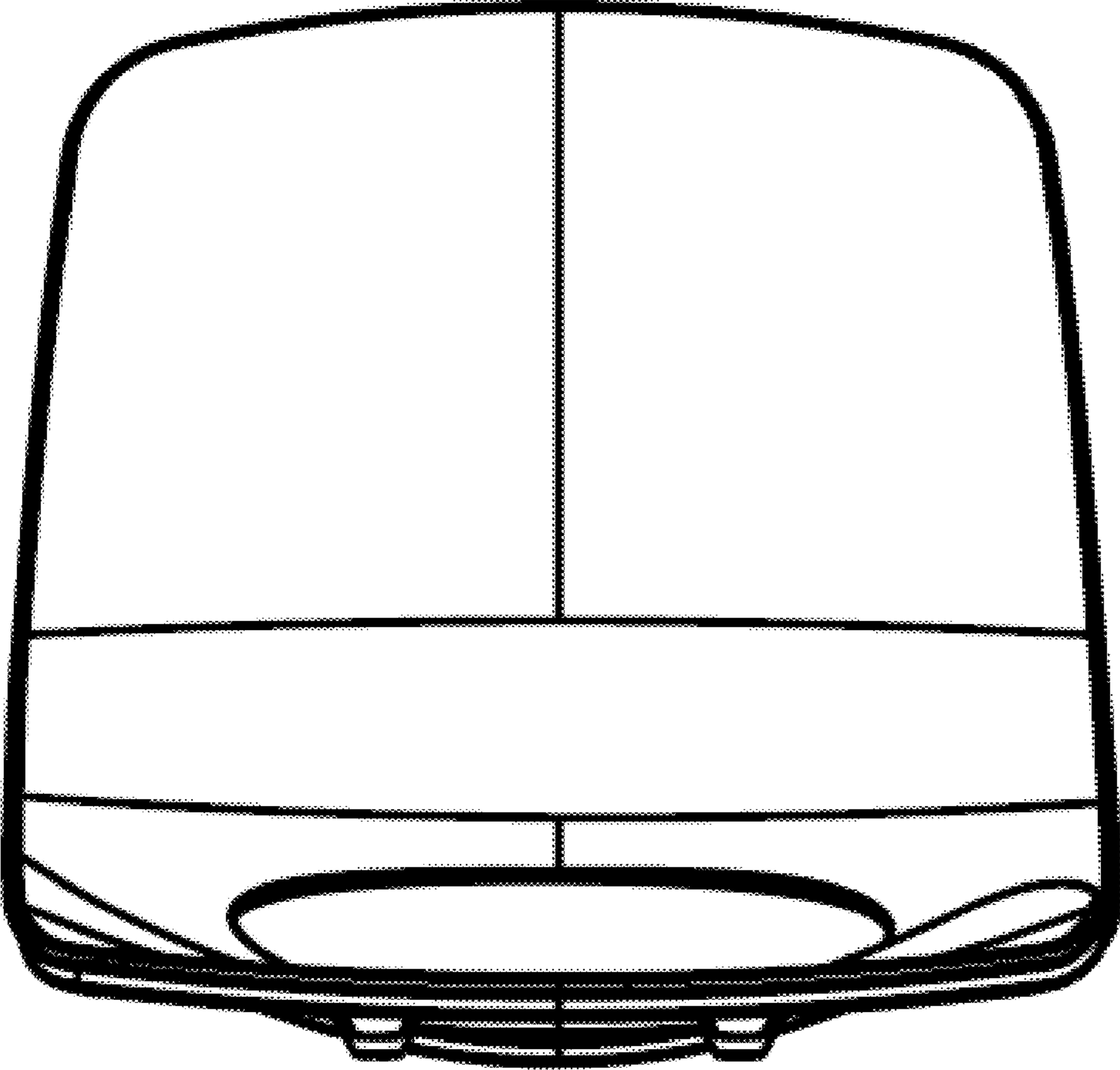


FIG. 1

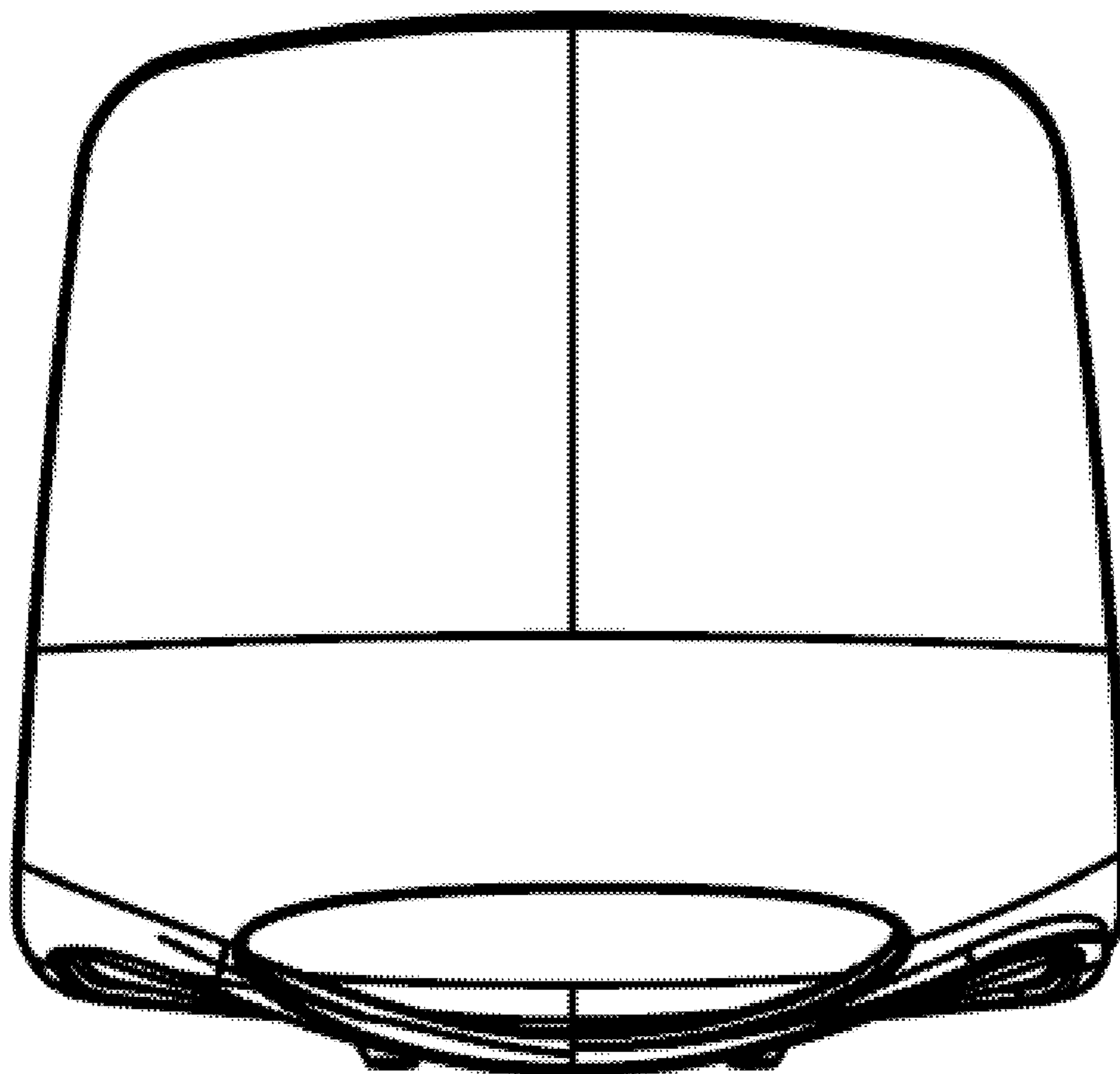


FIG. 2

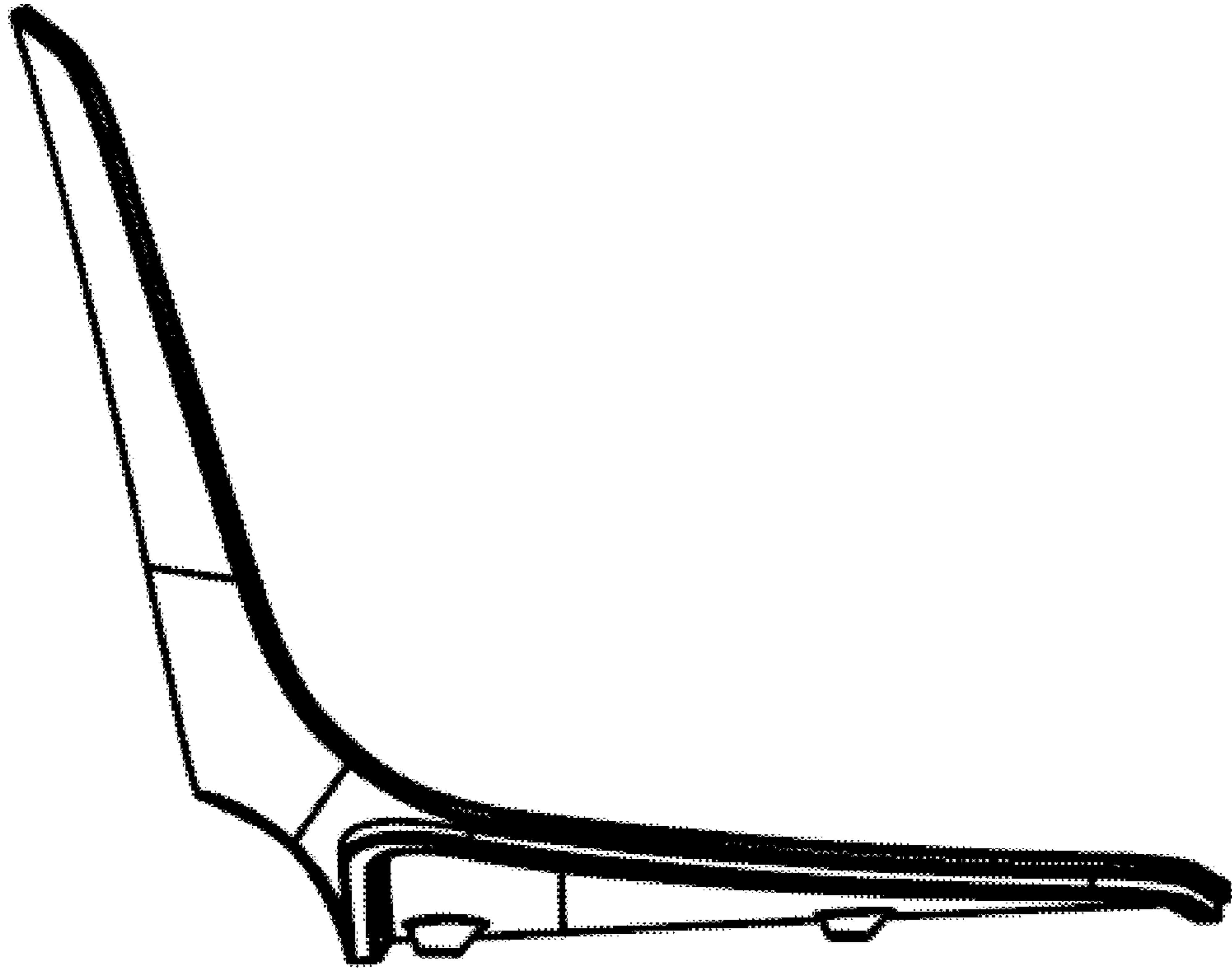


FIG. 3

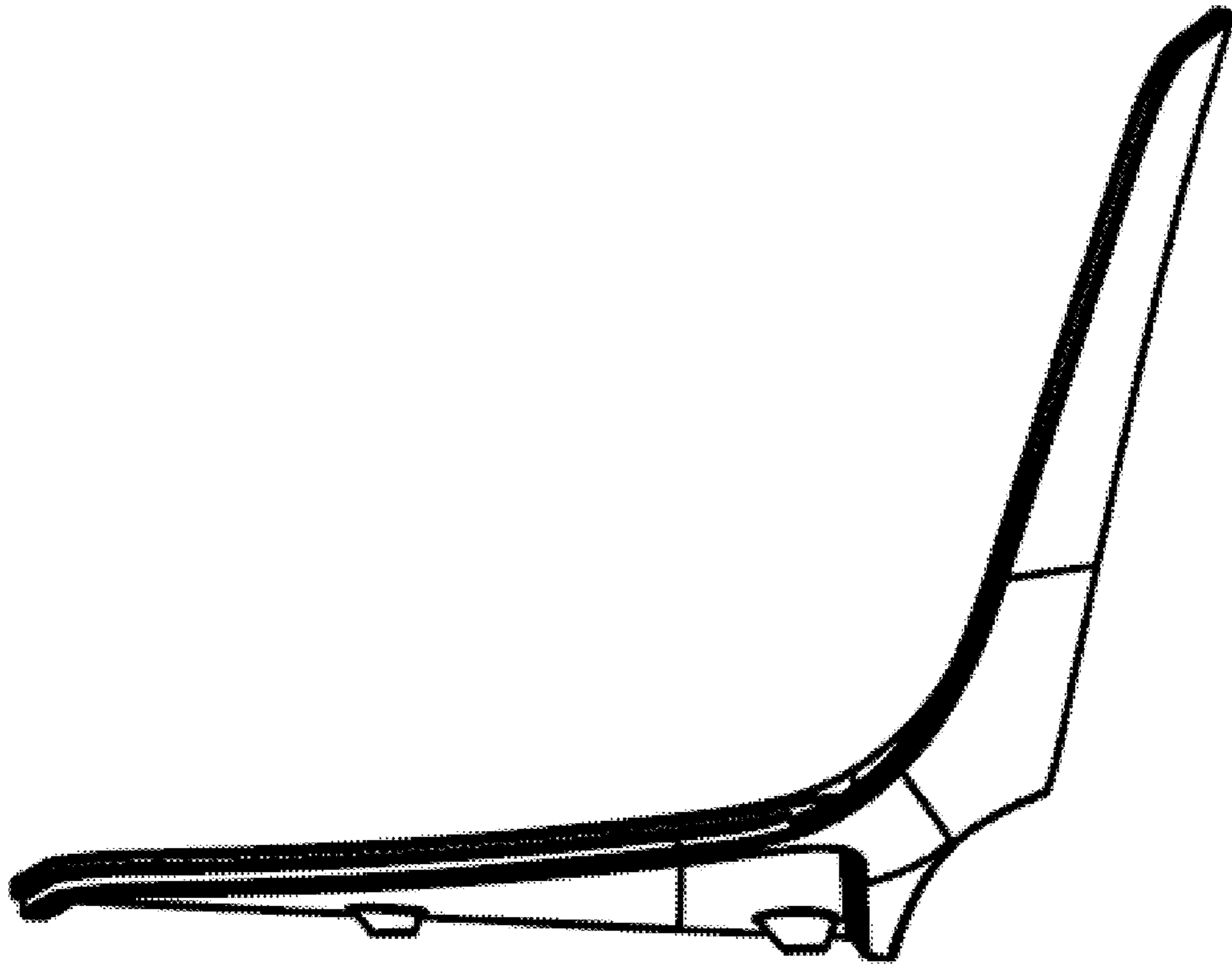


FIG. 4

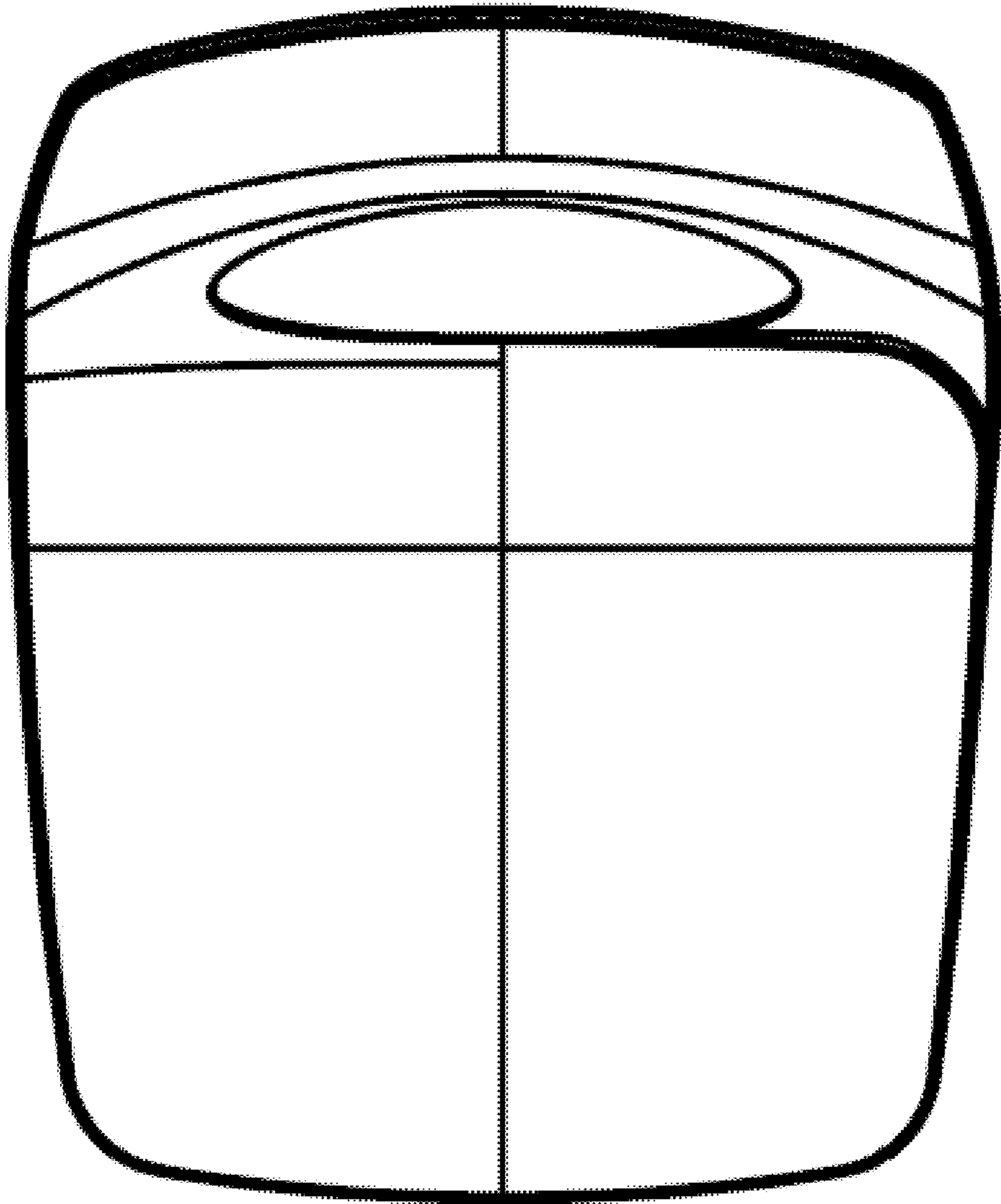


FIG. 5

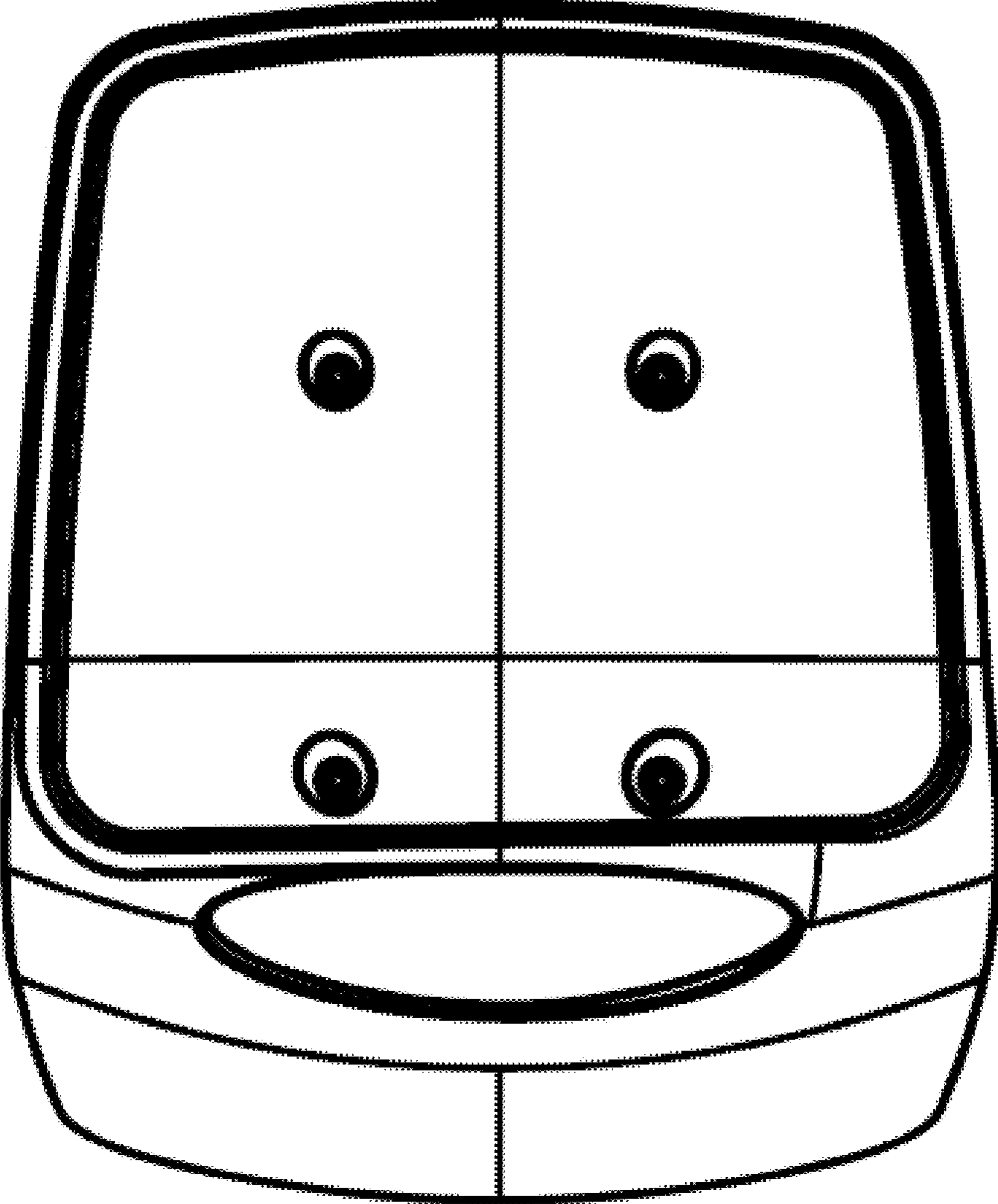


FIG. 6

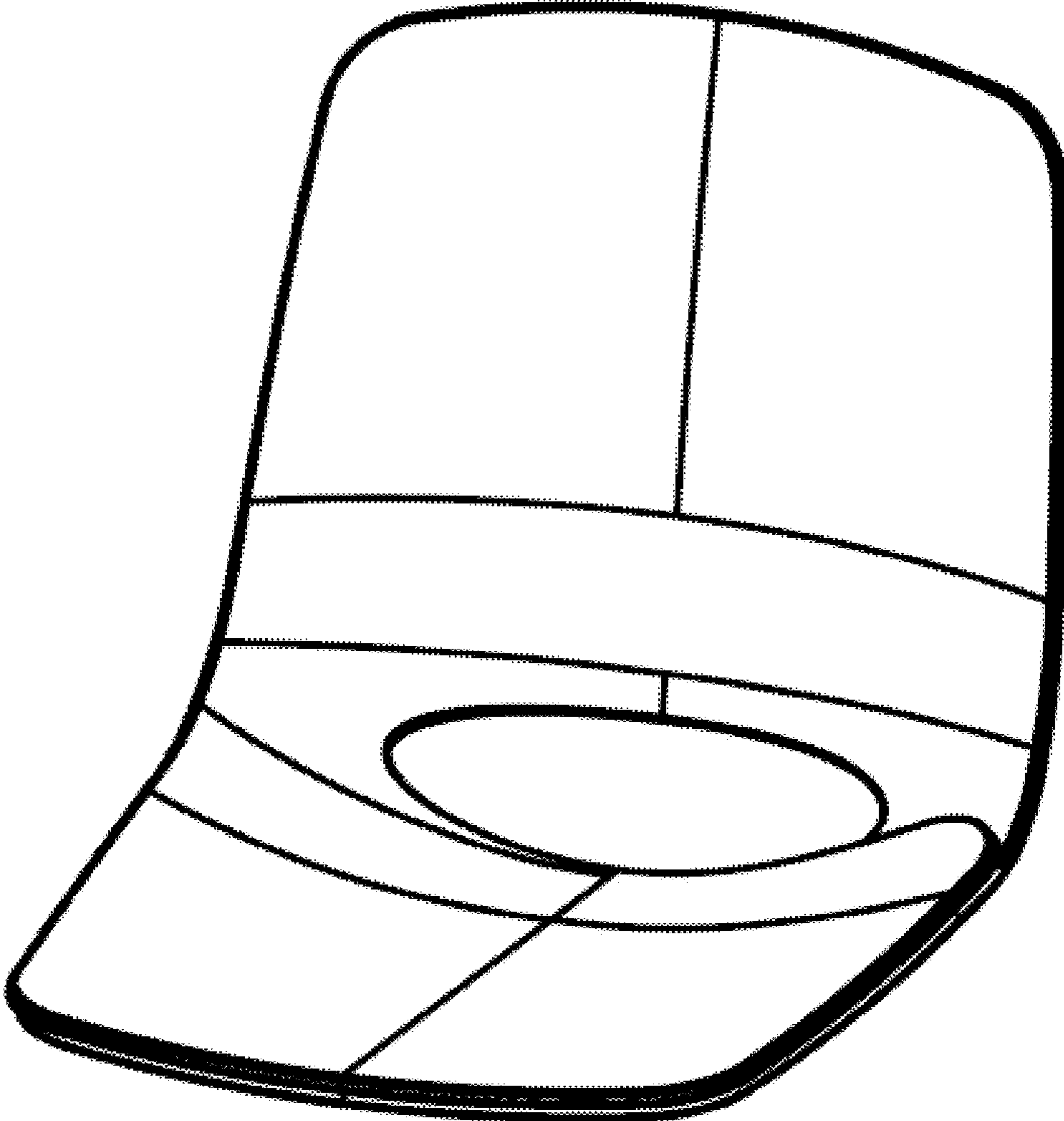


FIG. 7



UNITED STATES PATENT AND TRADEMARK OFFICE  
**CERTIFICATE OF CORRECTION**

PATENT NO. : D727,077 S  
APPLICATION NO. : 29/477022  
DATED : April 21, 2015  
INVENTOR(S) : Genlin Ye

Page 1 of 1

It is certified that error appears in the above-identified patent and that said Letters Patent is hereby corrected as shown below:

On the title page item (73),

The correct Assignee should read:

STARWAY INTERNATIONAL HOME-LIVING CO., LTD.  
TAIZHOU, ZHEJIANG (CN)

Signed and Sealed this  
Fifteenth Day of December, 2015



Michelle K. Lee  
*Director of the United States Patent and Trademark Office*