



US00D727076S

(12) **United States Design Patent**
Usumoto

(10) **Patent No.:** **US D727,076 S**
(45) **Date of Patent:** **** Apr. 21, 2015**

(54) **CHAIR**

(71) Applicant: **Itoki Corporation**, Osaka-shi, Osaka (JP)

(72) Inventor: **Hiroto Usumoto**, Osaka (JP)

(73) Assignee: **Itoki Corporation**, Osaka-shi, Osaka (JP)

(**) Term: **14 Years**

(21) Appl. No.: **29/475,668**

(22) Filed: **Dec. 5, 2013**

(30) **Foreign Application Priority Data**

Jun. 7, 2013 (JP) 2013-012821

(51) **LOC (10) Cl.** **06-01**

(52) **U.S. Cl.**
USPC **D6/716; D6/366**

(58) **Field of Classification Search**
CPC **A47C 7/022; A47C 7/40; A47C 7/18; A47C 7/46**
USPC **D6/334-336, 366, 367, 369, 379, 380, D6/716, 716.1, 716.4; 297/452.21, 452.24, 297/452.26, 452.29, 452.3, 284.4**

See application file for complete search history.

(56) **References Cited**

U.S. PATENT DOCUMENTS

D613,087 S *	4/2010	Fujita	D6/366
D613,088 S *	4/2010	Fujita	D6/366
D654,280 S *	2/2012	Fujita	D6/366
D654,710 S *	2/2012	Fujita	D6/366
D654,711 S *	2/2012	Fujita	D6/366
D696,886 S *	1/2014	Nakamura	D6/716.4
D697,353 S *	1/2014	Nakamura	D6/716.4

* cited by examiner

Primary Examiner — Mimoso De

(74) *Attorney, Agent, or Firm* — Drinker Biddle & Reath LLP

(57) **CLAIM**

The ornamental design for a chair, as shown and described.

DESCRIPTION

FIG. 1 is a perspective view of the top, front and right side of a chair showing my new design;
FIG. 2 is a perspective view of the top, rear and right side thereof;
FIG. 3 is a front view thereof;
FIG. 4 is a rear view thereof;
FIG. 5 is a left side view thereof;
FIG. 6 is a right side view thereof;
FIG. 7 is a top view thereof; and,
FIG. 8 is a bottom view thereof.
The portions of the article in broken lines are shown for illustrative purposes only and form no part of the claimed design.

1 Claim, 8 Drawing Sheets

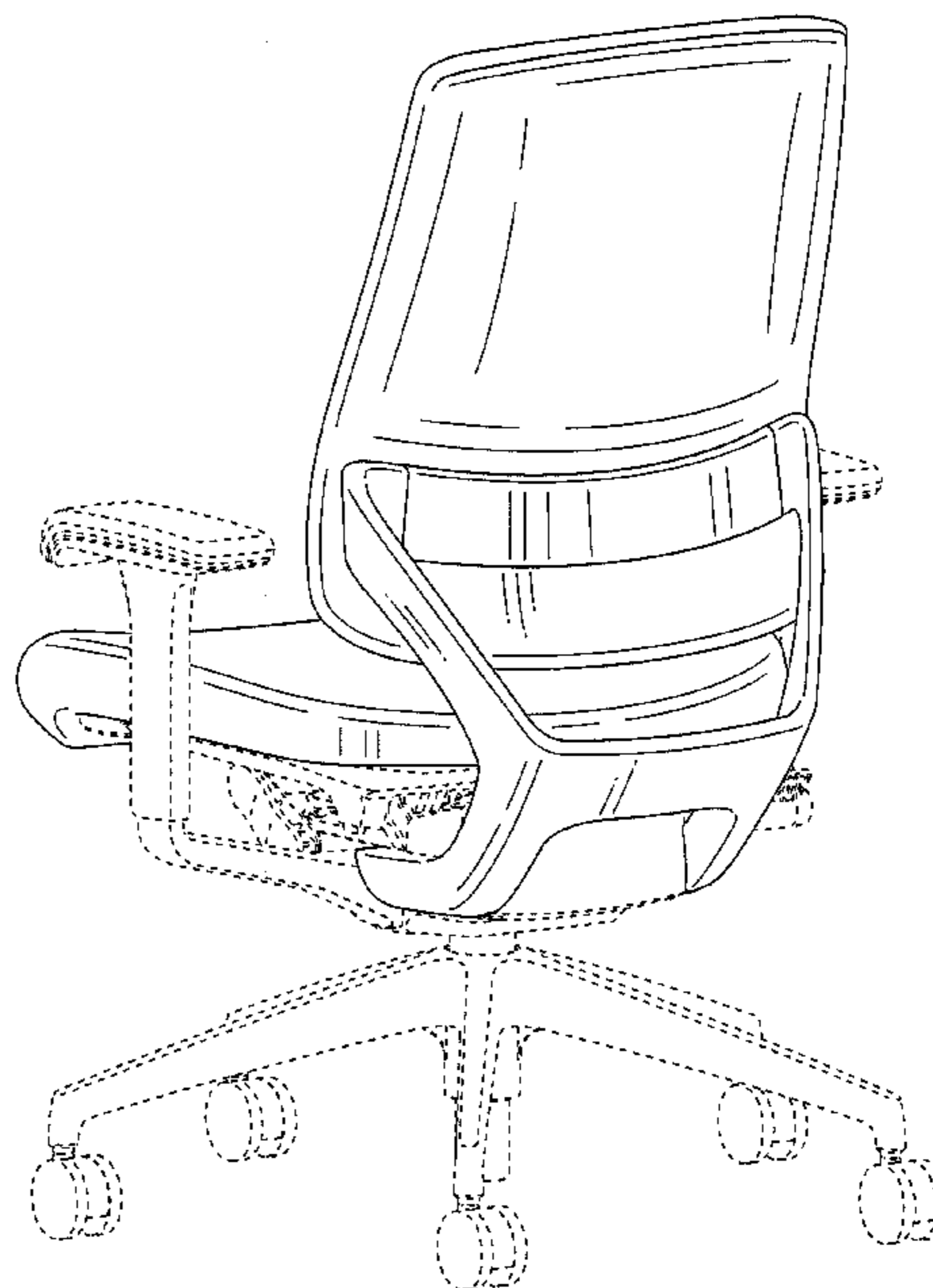
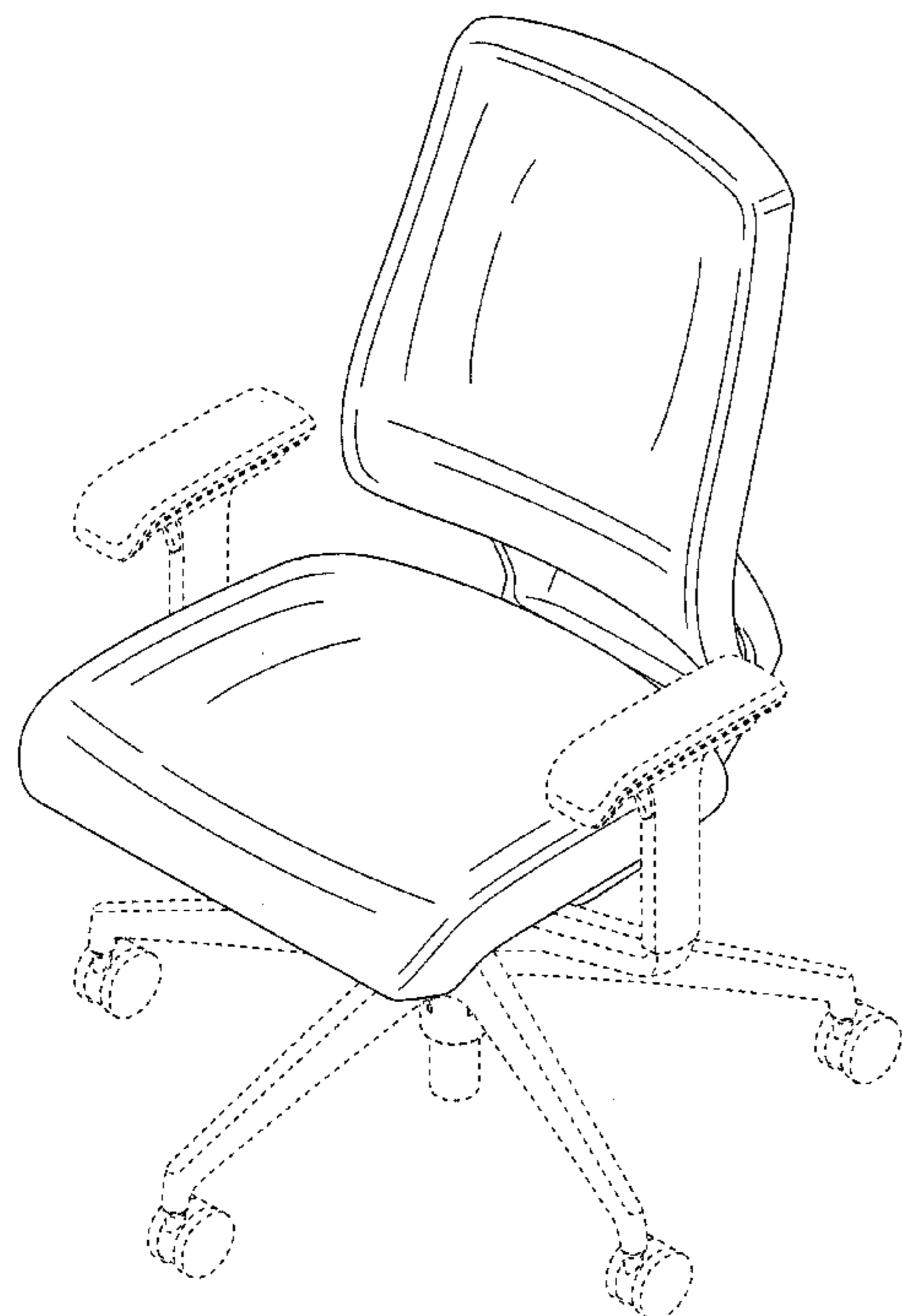


Fig. 1

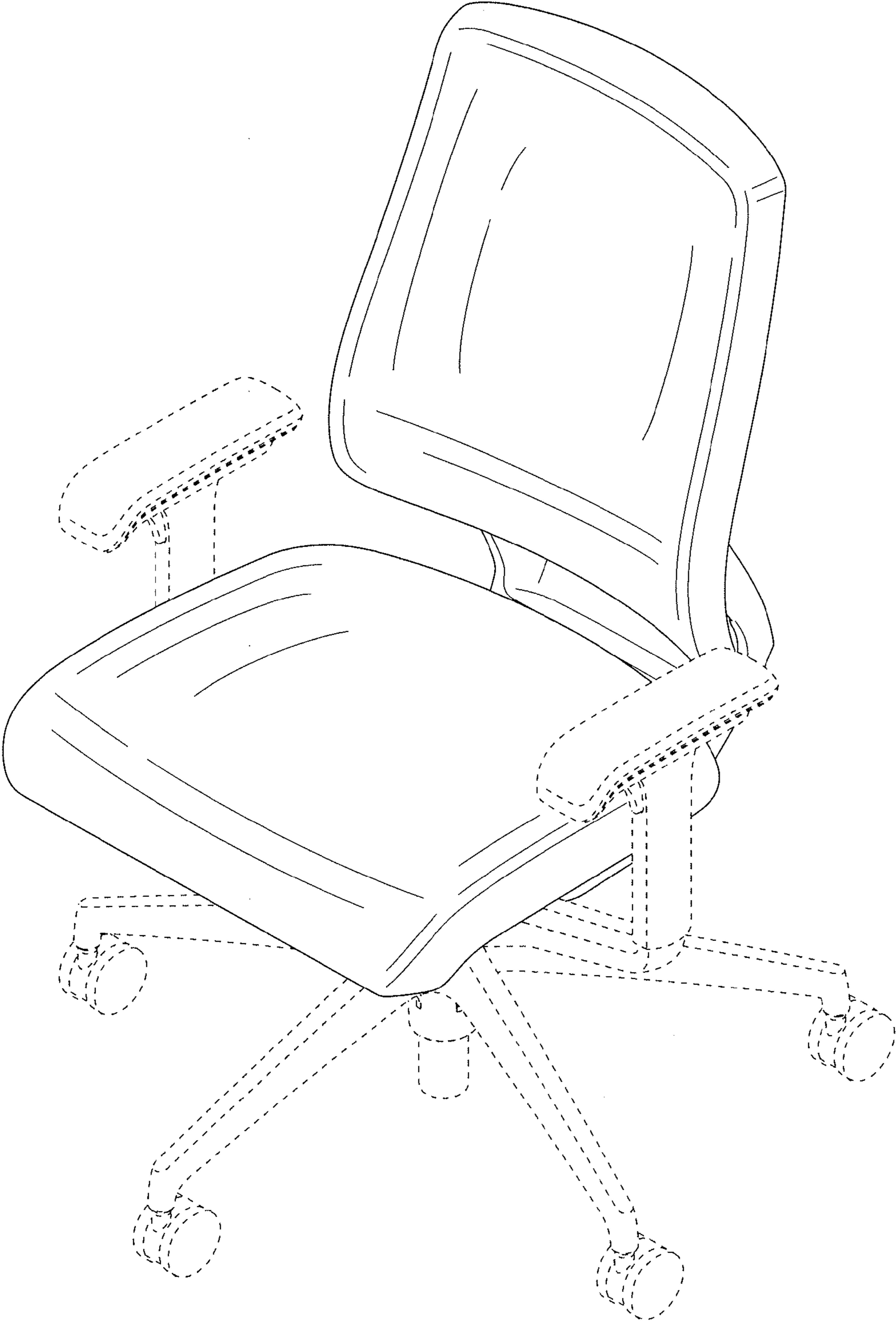


Fig. 2

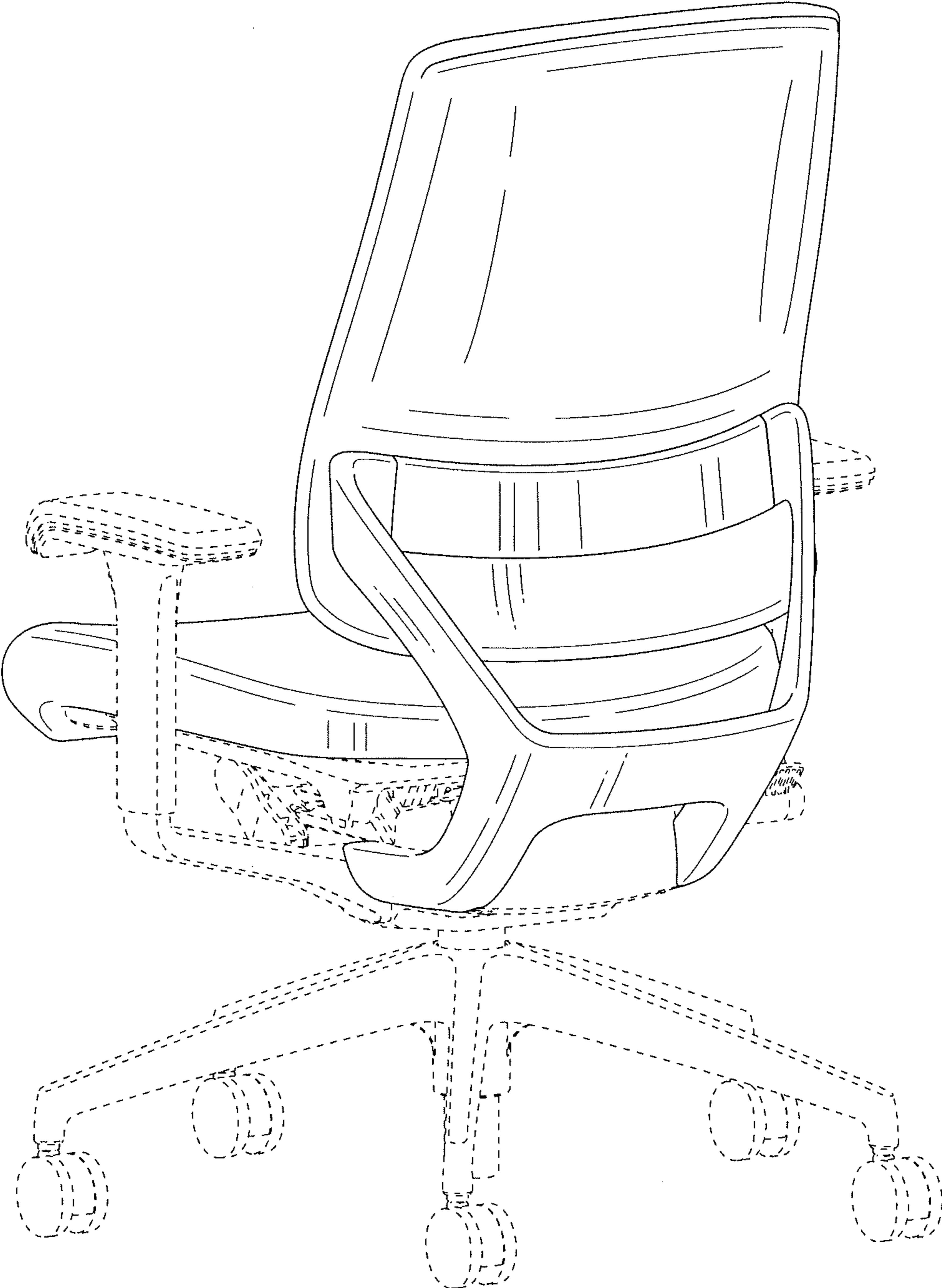


Fig. 3

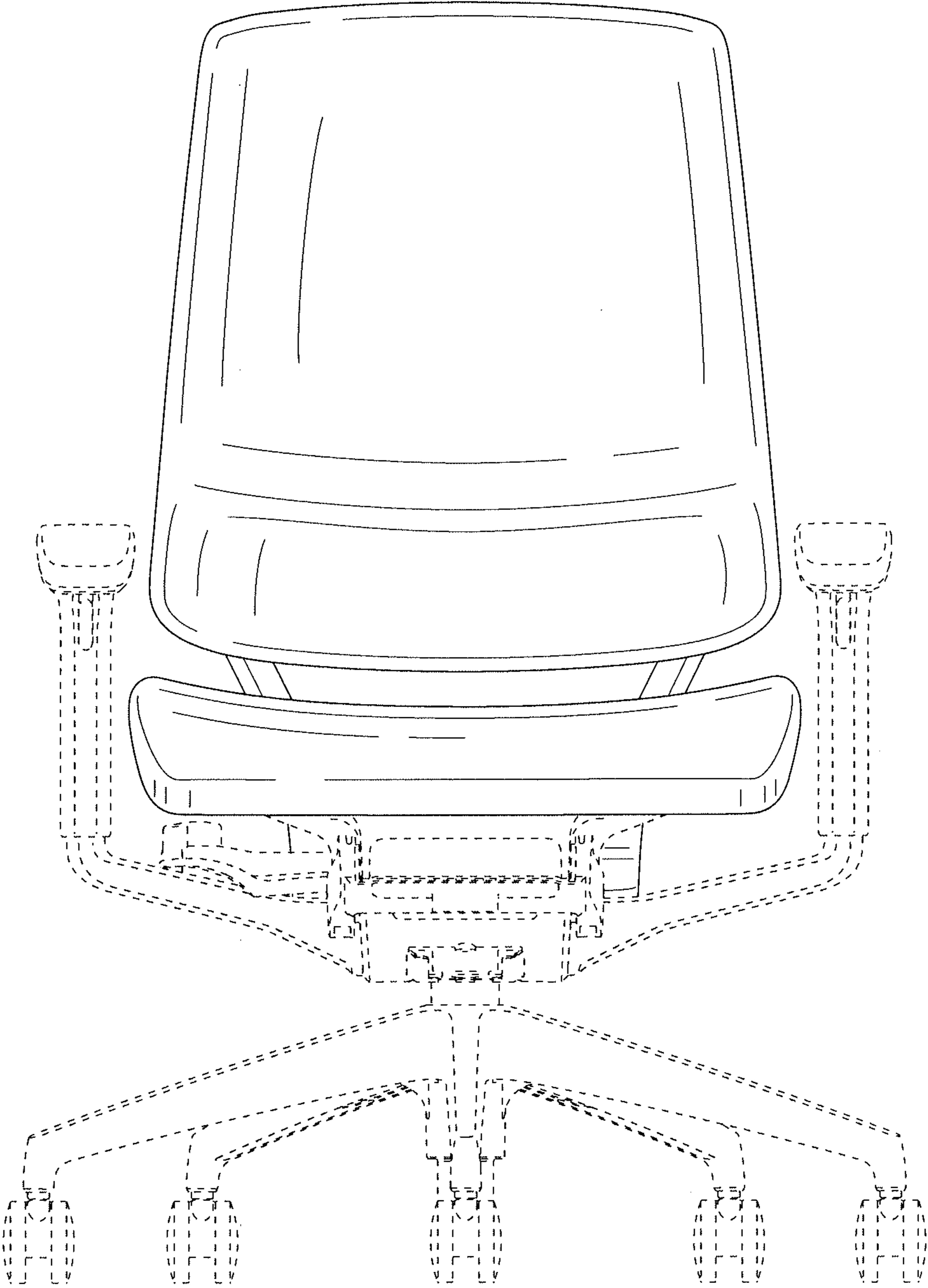


Fig. 4

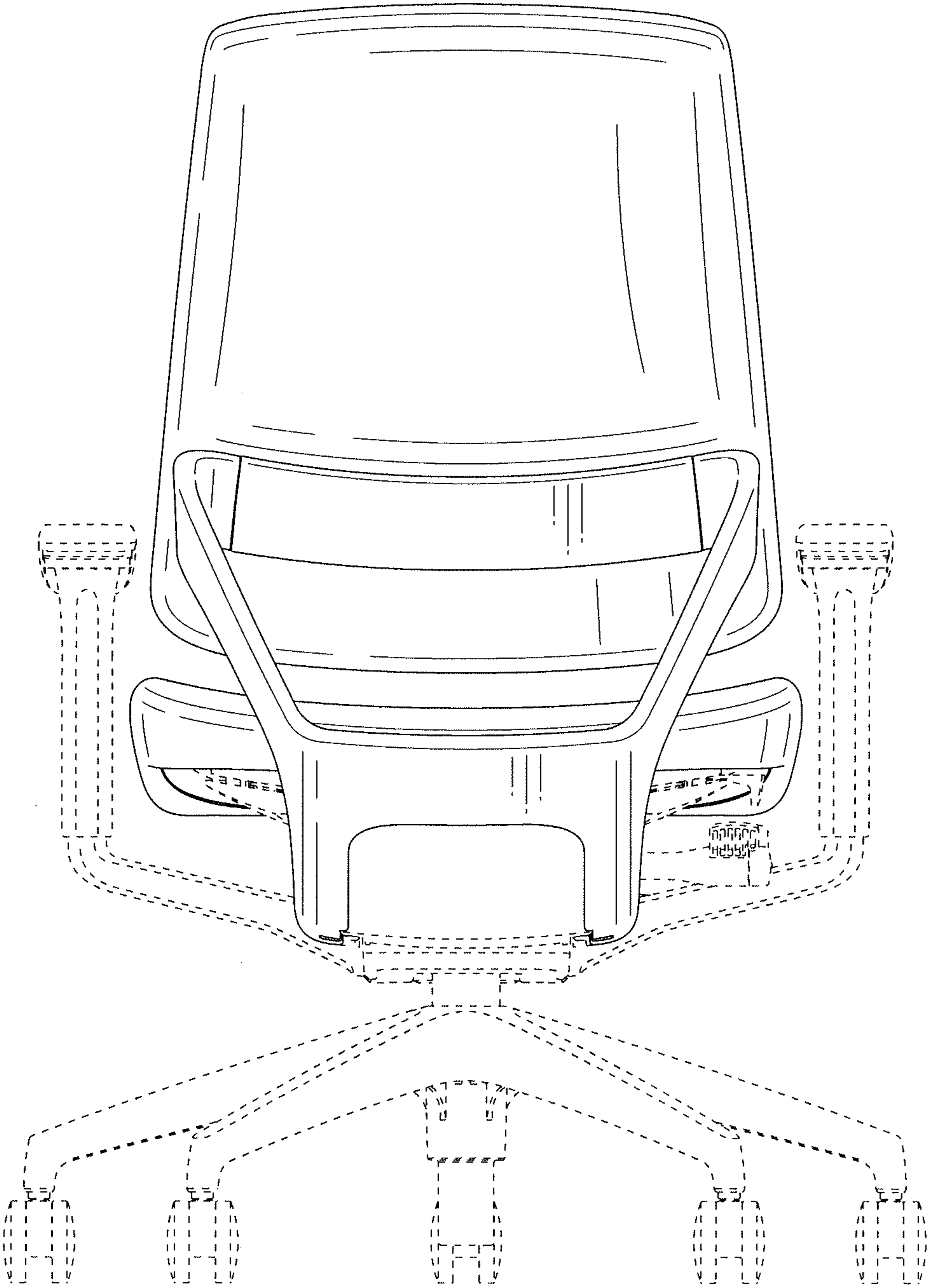


Fig. 5

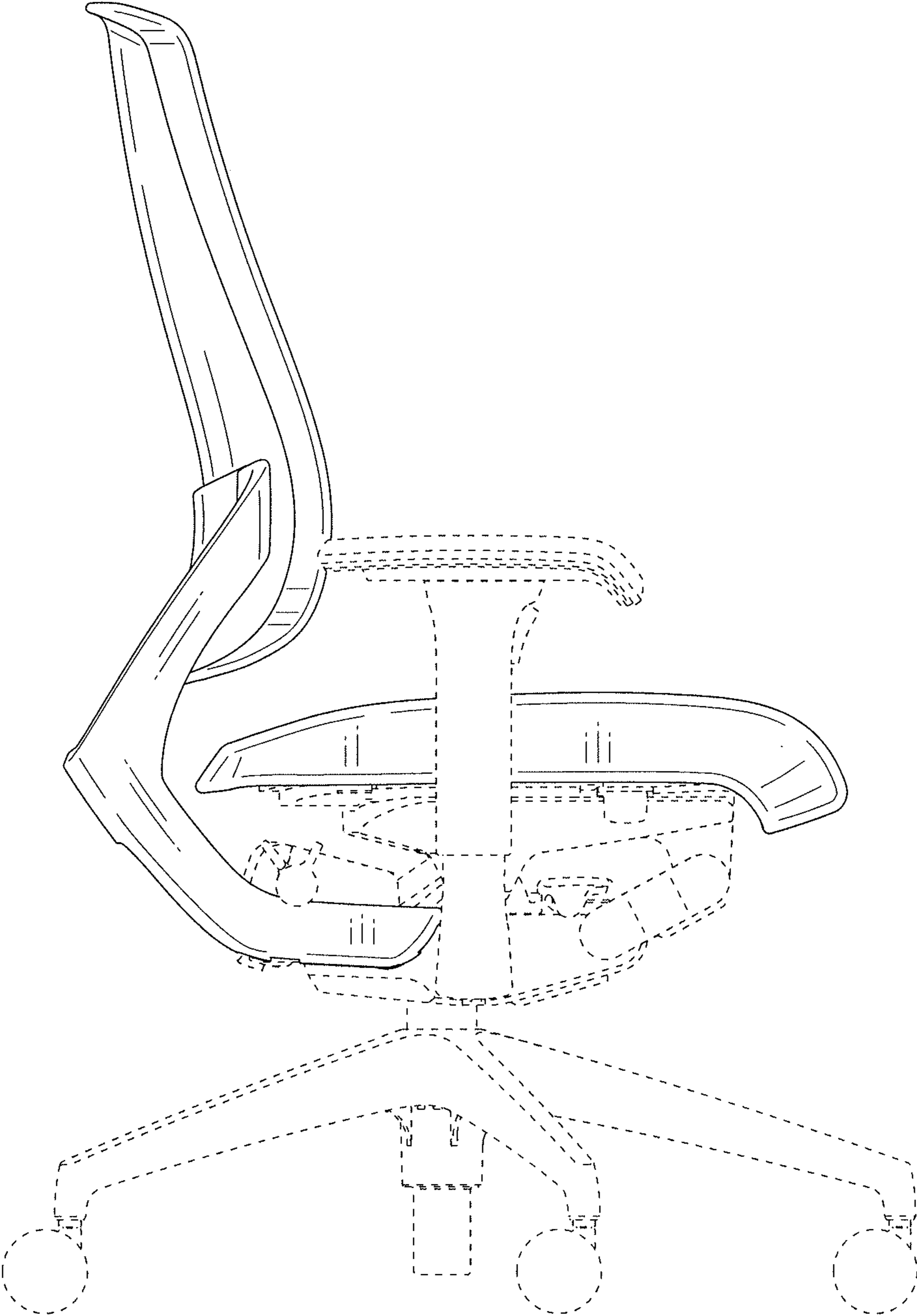


Fig. 6

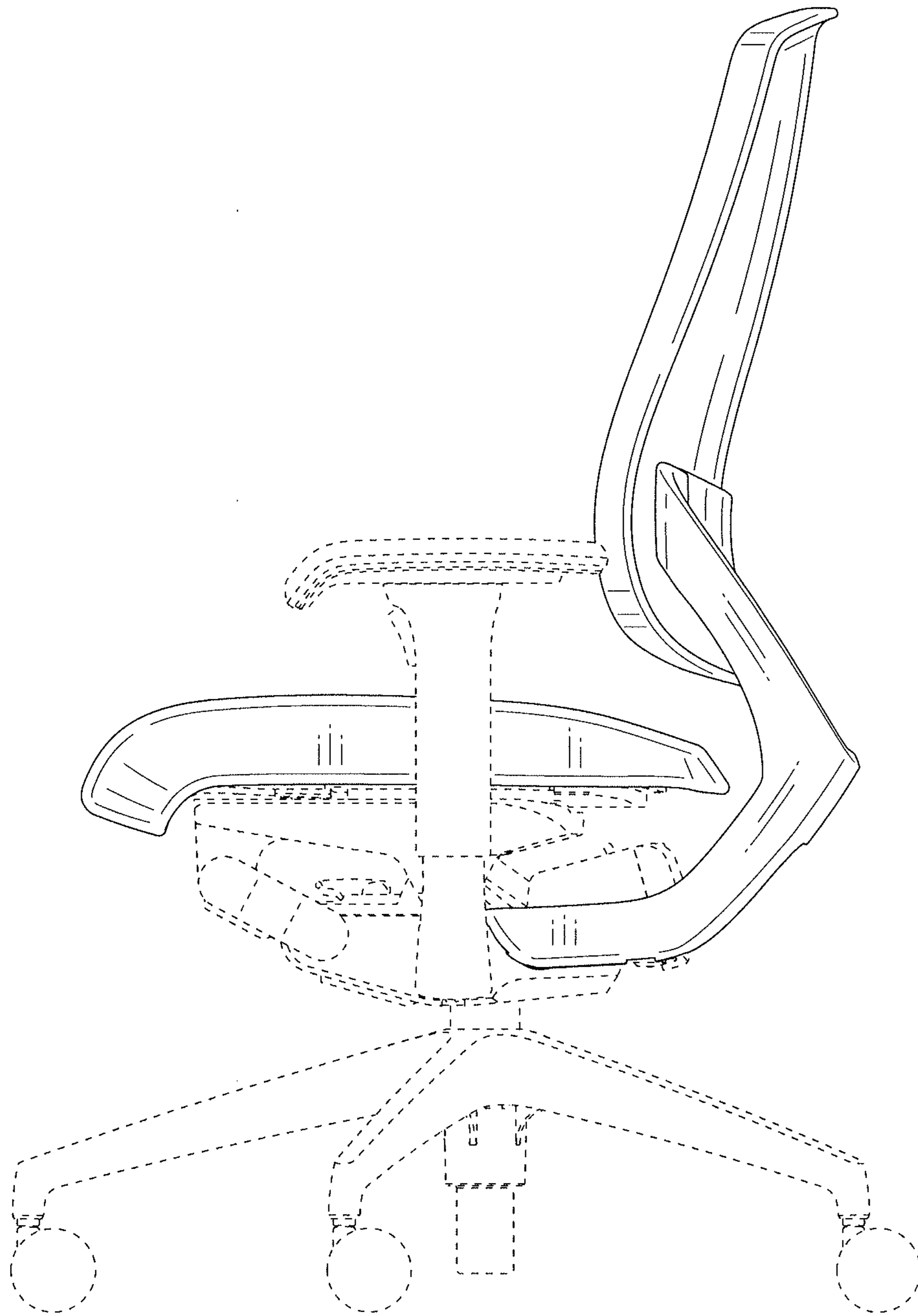


Fig. 7

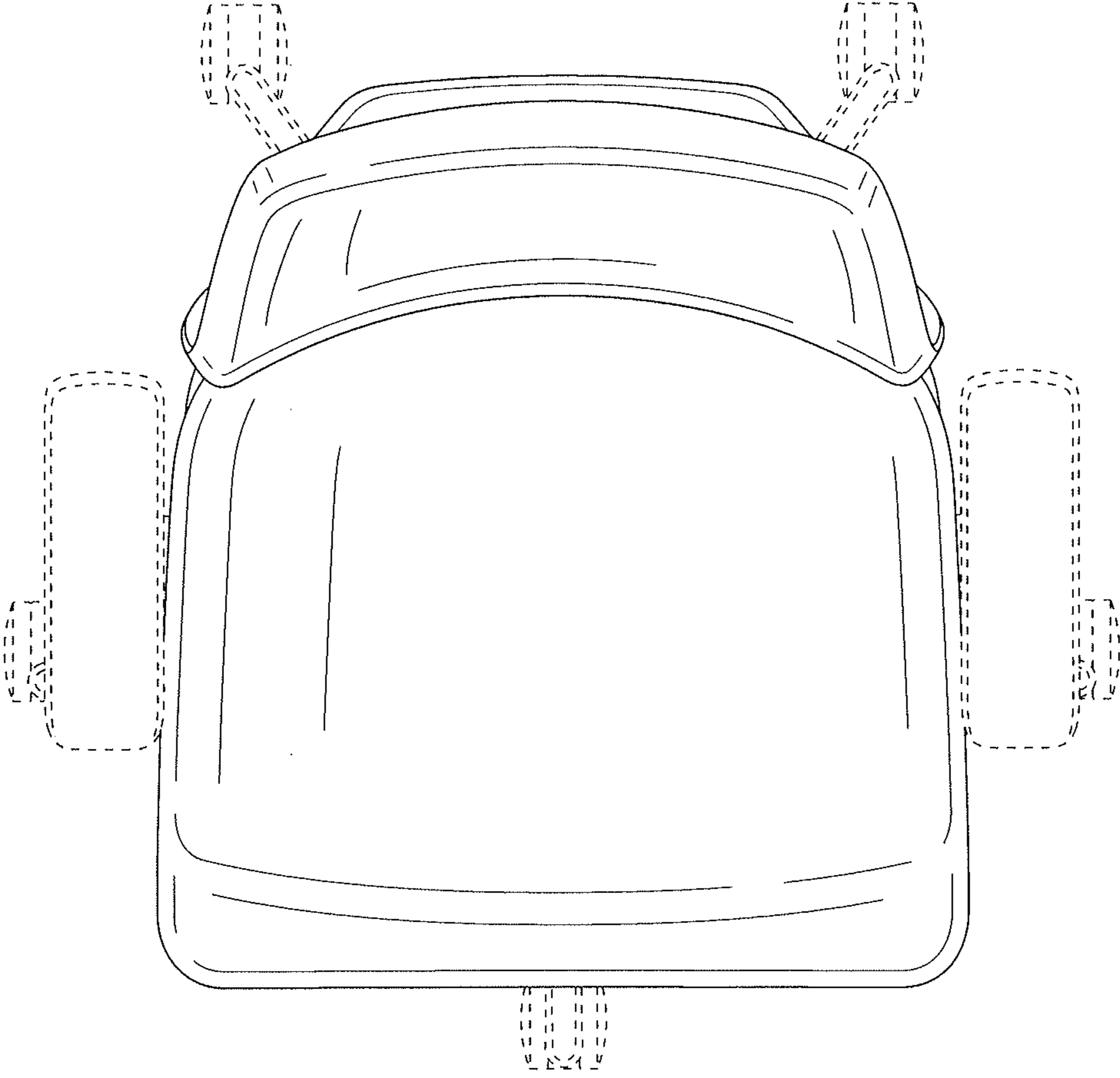


Fig. 8

