



US00D727074S

(12) **United States Design Patent**
Johnson et al.

(10) **Patent No.:** **US D727,074 S**
(45) **Date of Patent:** **** Apr. 21, 2015**

- (54) **TABLE TOP**
- (71) Applicant: **Lifetime Products, Inc.**, Clearfield, UT (US)
- (72) Inventors: **Mitch Johnson**, South Weber, UT (US); **Frank Clegg**, Fruit Heights, UT (US)
- (73) Assignee: **Lifetime Products, Inc.**, Clearfield, UT (US)
- (**) Term: **14 Years**
- (21) Appl. No.: **29/455,545**
- (22) Filed: **May 21, 2013**
- (51) **LOC (10) Cl.** **06-06**
- (52) **U.S. Cl.**
USPC **D6/707.24**
- (58) **Field of Classification Search**
CPC A47B 2003/0821; A47B 3/0815;
A47B 3/0912; A47B 13/08; A47B 3/00;
A47B 3/08
USPC D6/691, 691.6, 707, 707.17, 707.19,
D6/707.24; 108/115, 129, 132, 159.12
See application file for complete search history.

(56) **References Cited**

U.S. PATENT DOCUMENTS

- D498,622 S * 11/2004 Neunzert D6/511
- D575,083 S * 8/2008 Lin D6/487
- 8,091,490 B2 * 1/2012 Branch et al. 108/169
- 8,166,894 B1 5/2012 Branch et al.
- D688,496 S * 8/2013 Bennett D6/707.19
- 8,555,789 B2 10/2013 Jin et al.
- 8,555,790 B2 10/2013 Winter et al.
- 8,757,069 B2 * 6/2014 Peery et al. 108/132
- D715,081 S * 10/2014 Bennett D6/707.19

- 8,857,349 B2 * 10/2014 Peery et al. 108/91
- 2006/0196395 A1 * 9/2006 Lin et al. 108/132
- 2013/0025507 A1 1/2013 Jin et al.

OTHER PUBLICATIONS

U.S. Appl. No. 29/455,544, filed May 21, 2013, Johnson, et al.
International Search Report and Written Opinion from PCT/US2014/039021 dated Sep. 26, 2014.
Office Action from U.S. Appl. No. 29/455,544 dated Dec. 24, 2014.

* cited by examiner

Primary Examiner — Janice Seeger

(74) *Attorney, Agent, or Firm* — Maschoff Brennan

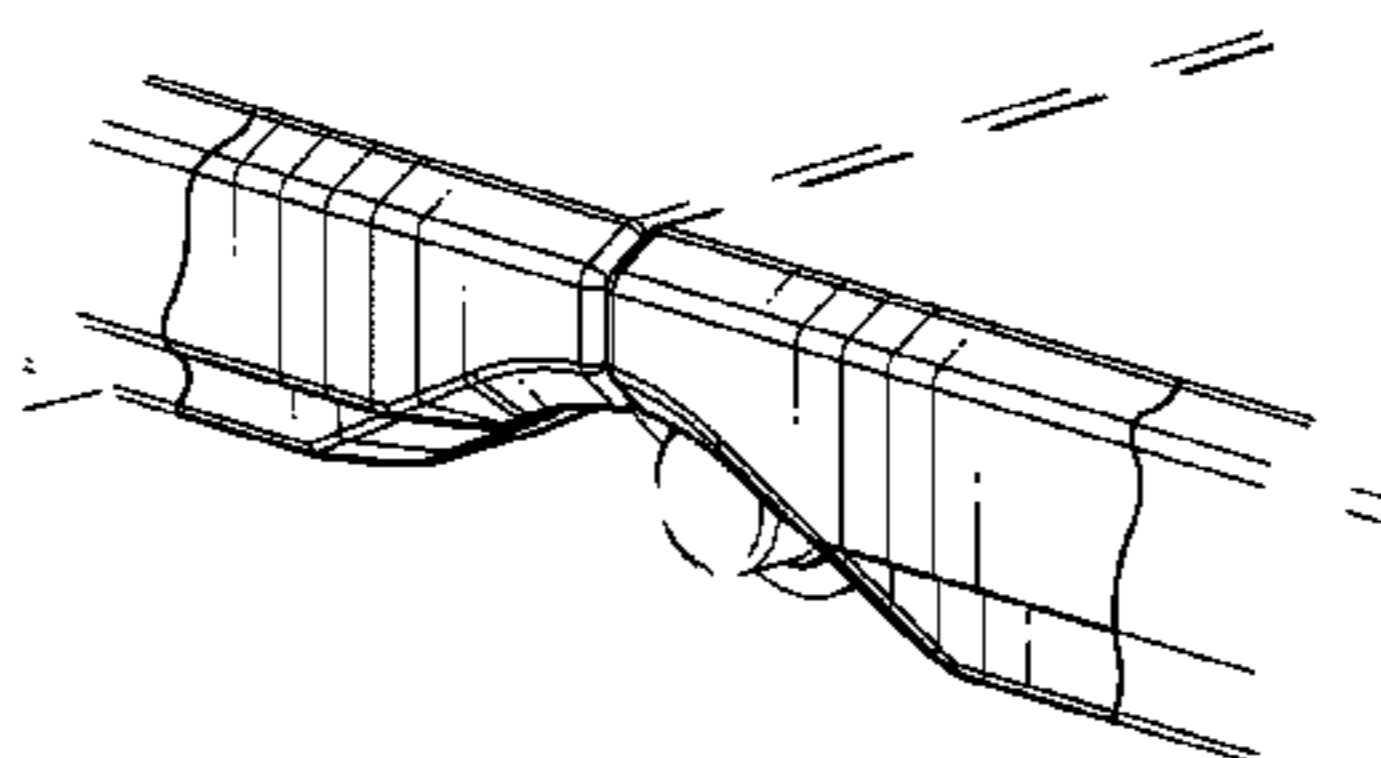
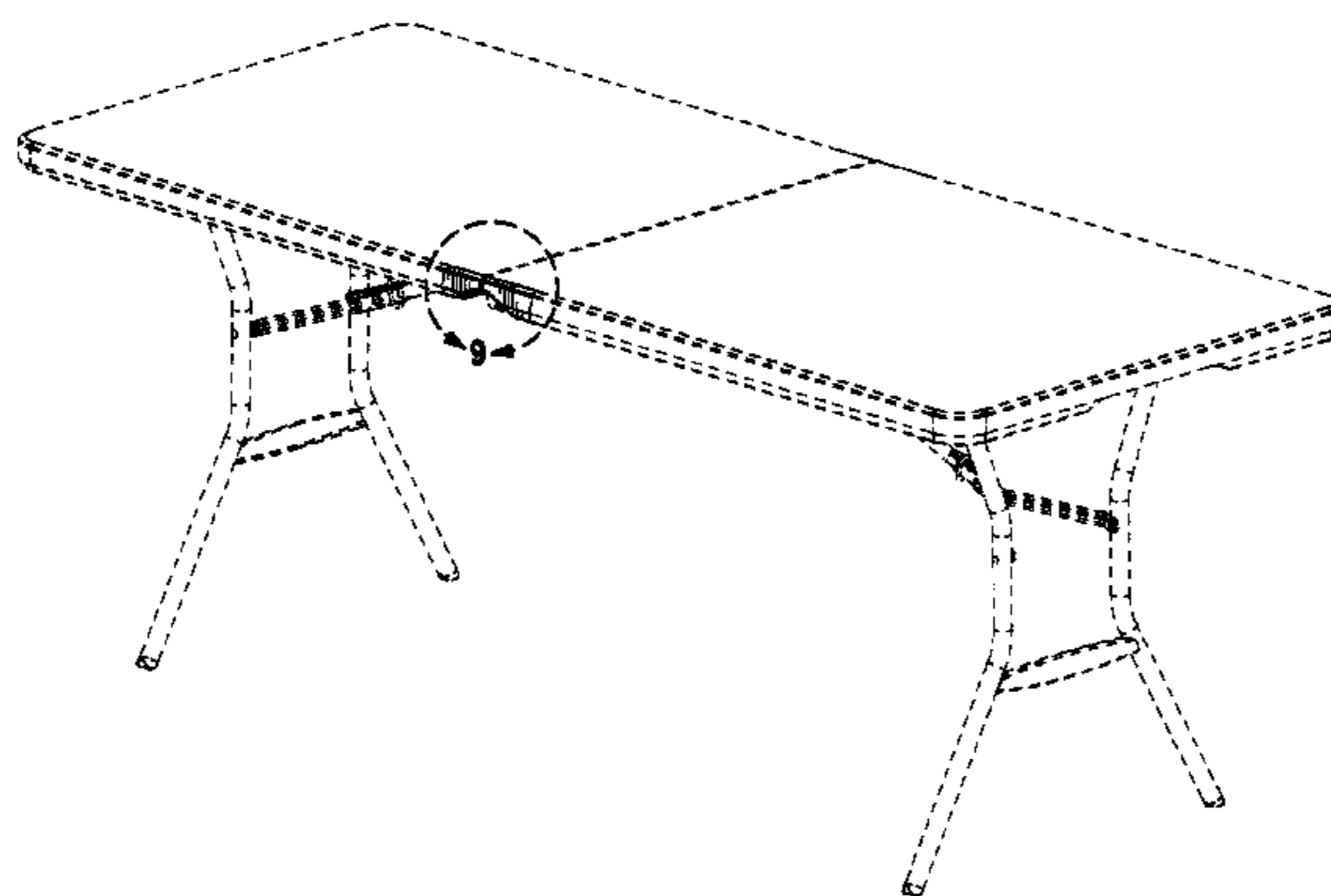
(57) **CLAIM**

The ornamental design for a table top, as shown and described.

DESCRIPTION

FIG. 1 is an upper perspective view of a table top;
FIG. 2 is a lower perspective view of the table top;
FIG. 3 is a rear view of the table top;
FIG. 4 is a top view of the table top;
FIG. 5 is a front view of the table top;
FIG. 6 is a bottom view of the table top;
FIG. 7 is a left side view of the table top;
FIG. 8 is a right side view of the table top;
FIG. 9 is an enlarged upper perspective view of a table top identified by line 9 in FIG. 1;
FIG. 10 is an enlarged lower perspective view of a table top identified by line 10 in FIG. 2; and,
FIG. 11 is an enlarged lower perspective view of a table top identified by line 11 in FIG. 2.
The broken lines shown in the figures are for illustrative purposes only and form no part of the claimed design.

1 Claim, 7 Drawing Sheets



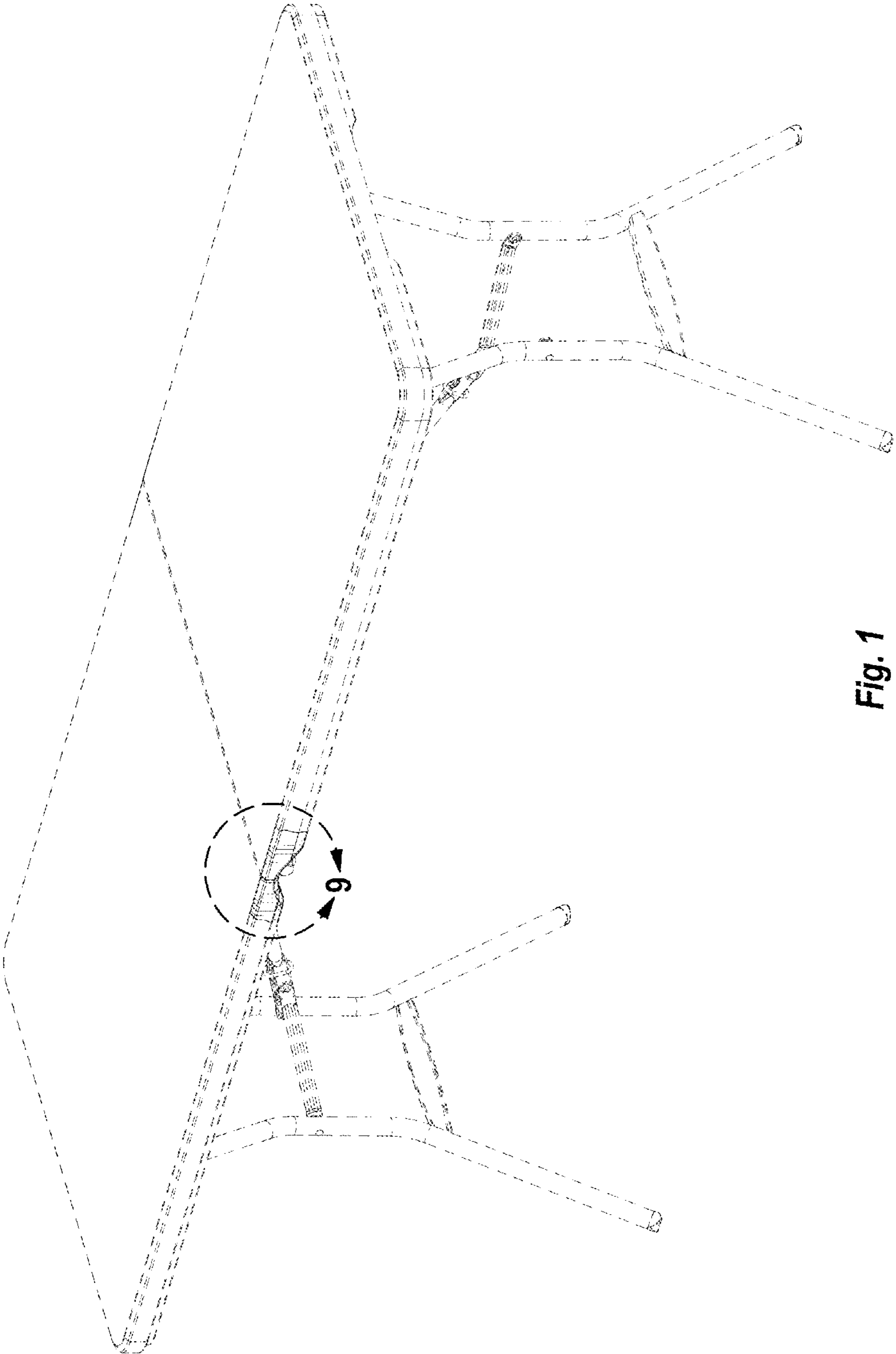


Fig. 1

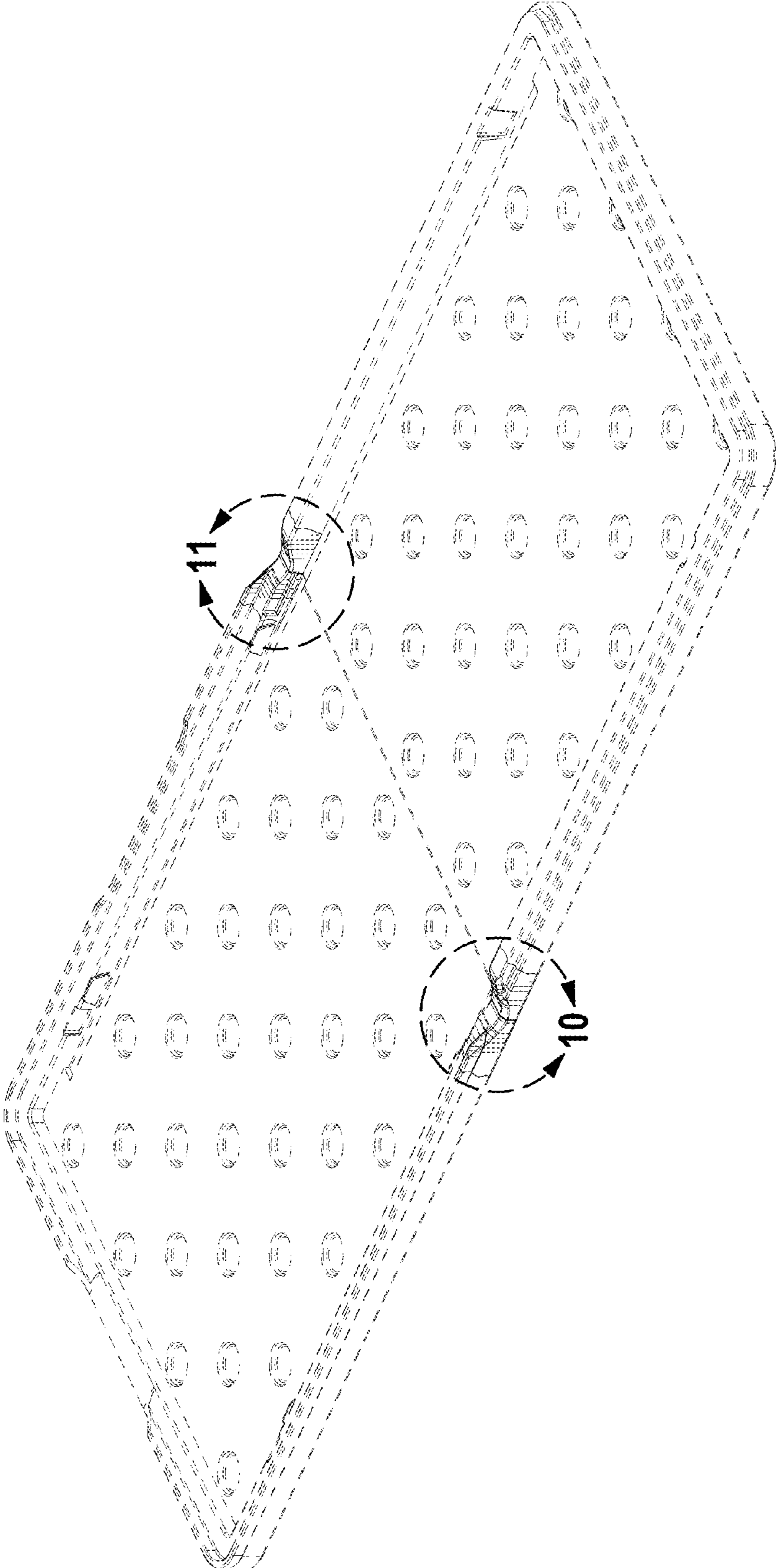


Fig. 2

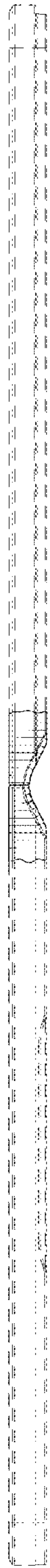


Fig. 3

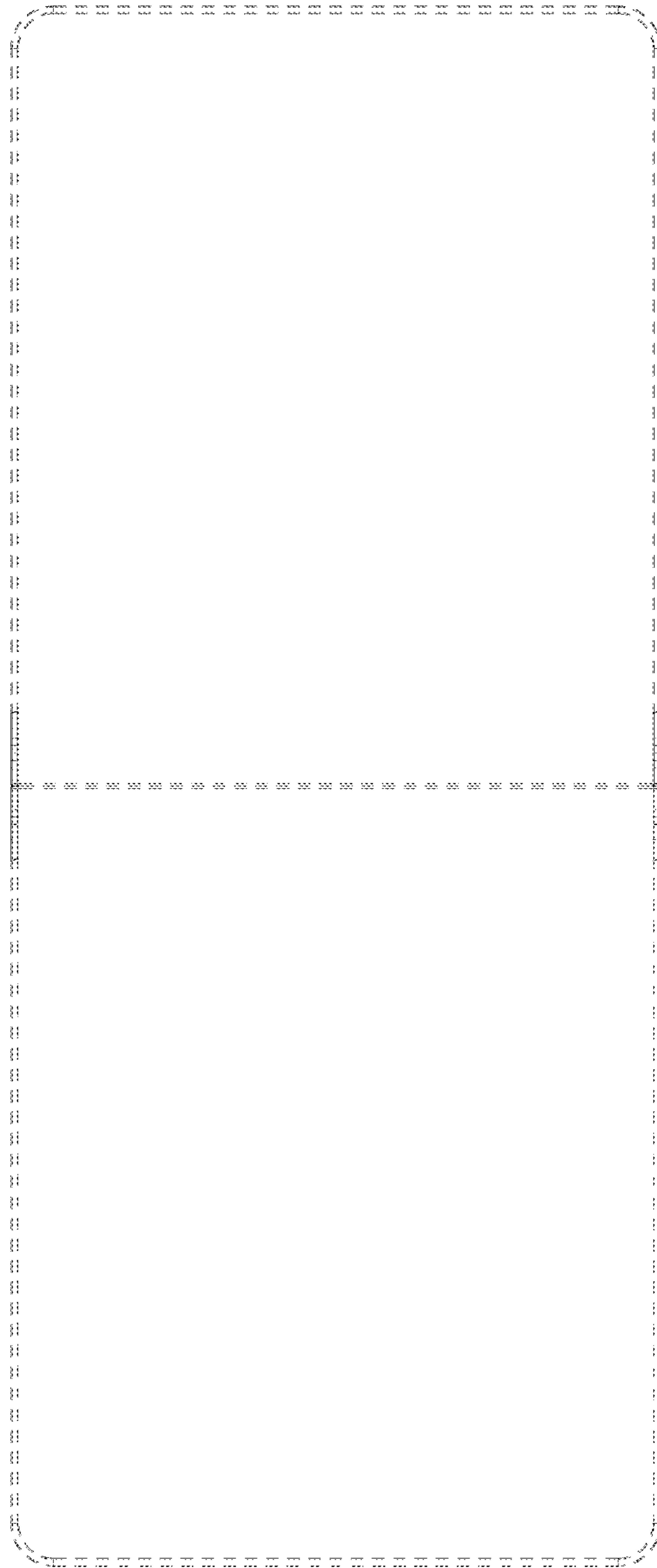


Fig. 4

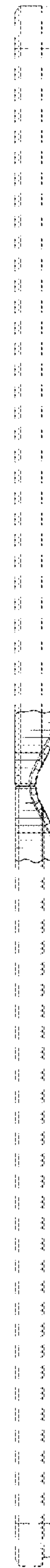


Fig. 5

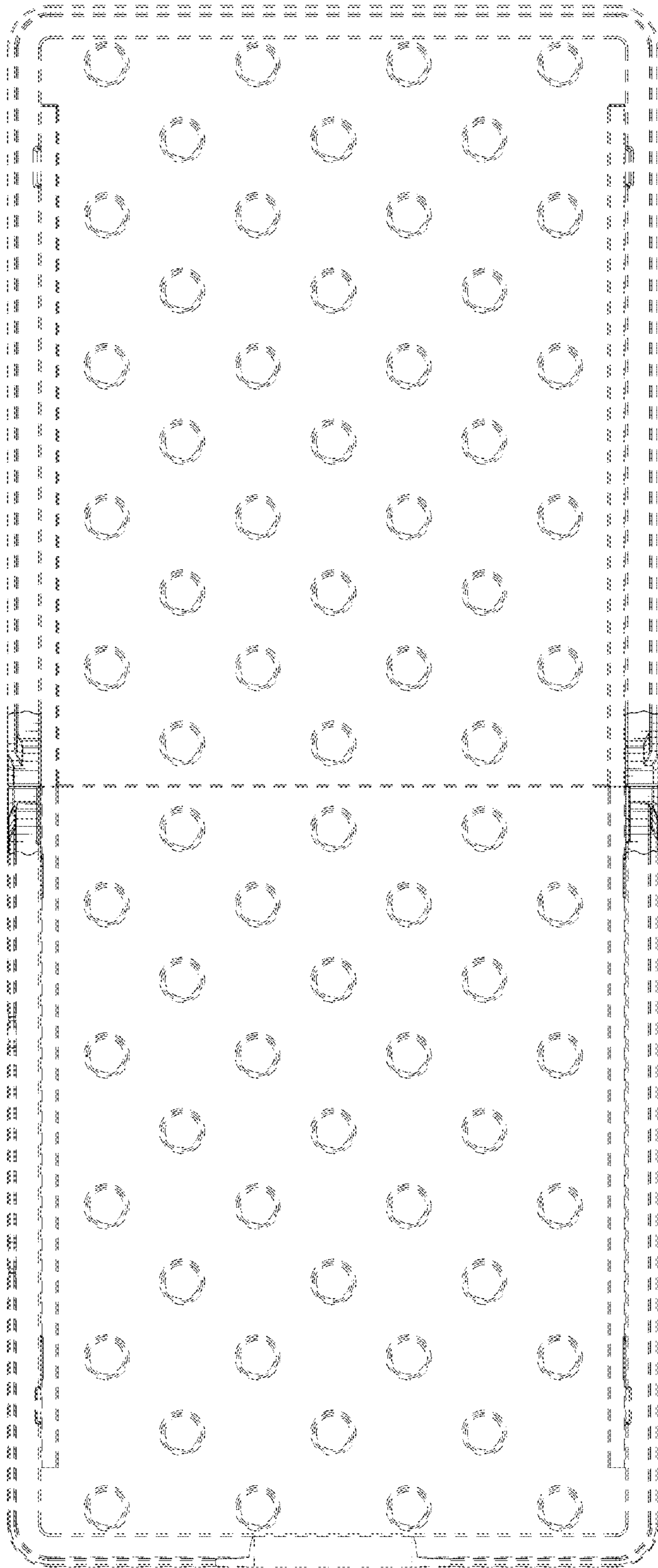


Fig. 6



Fig. 7

Fig. 8

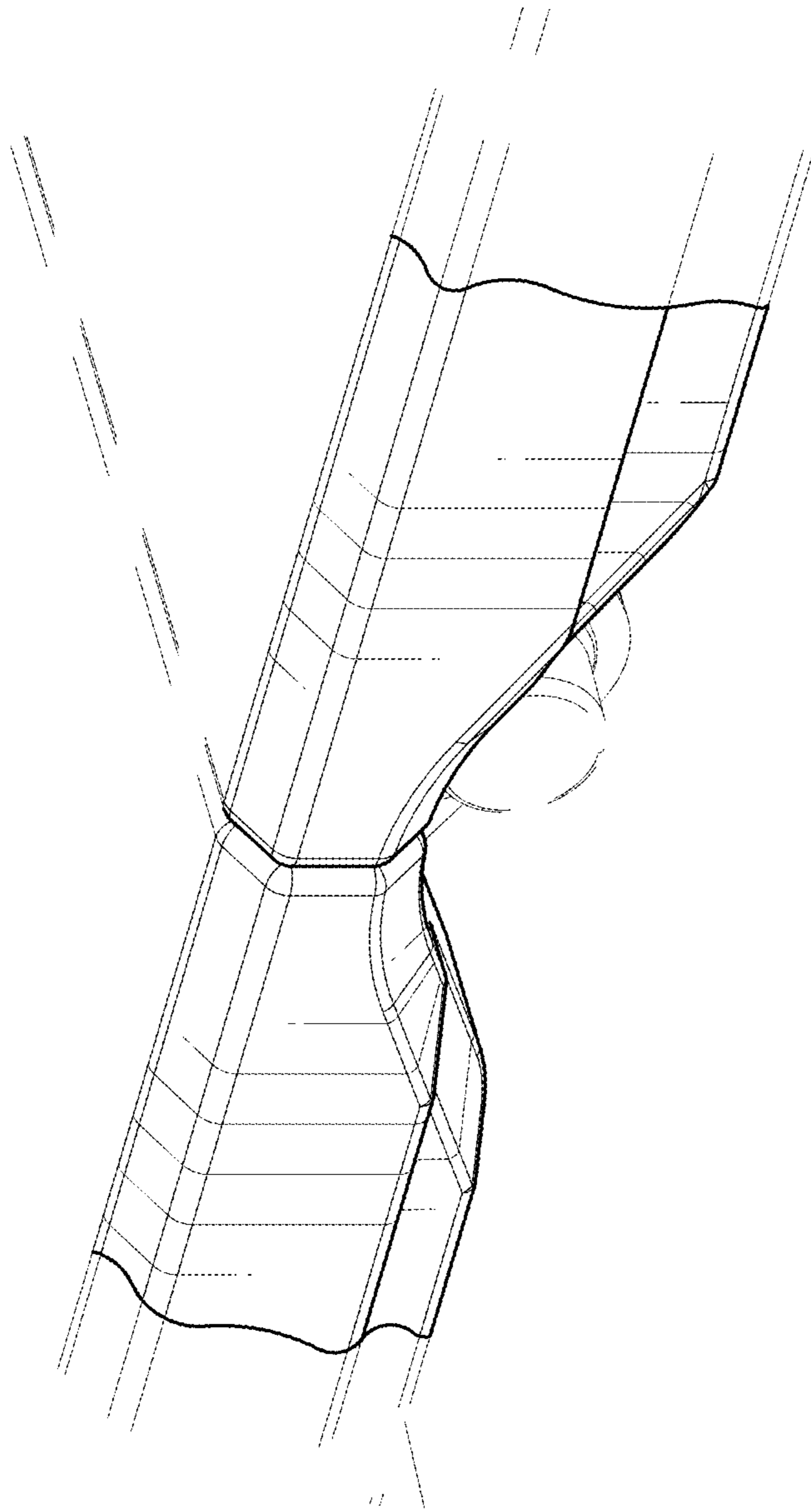


Fig. 9

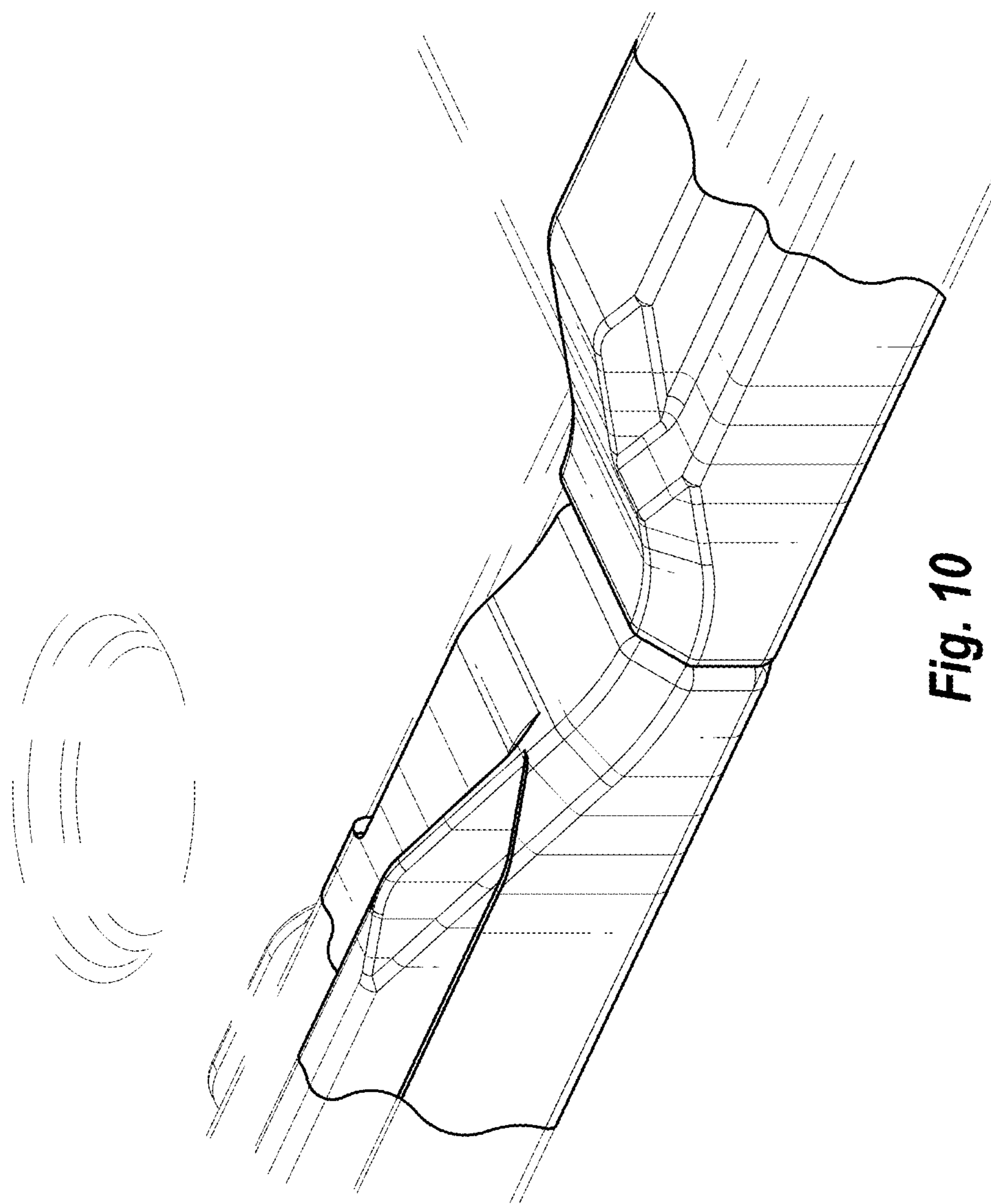


Fig. 10

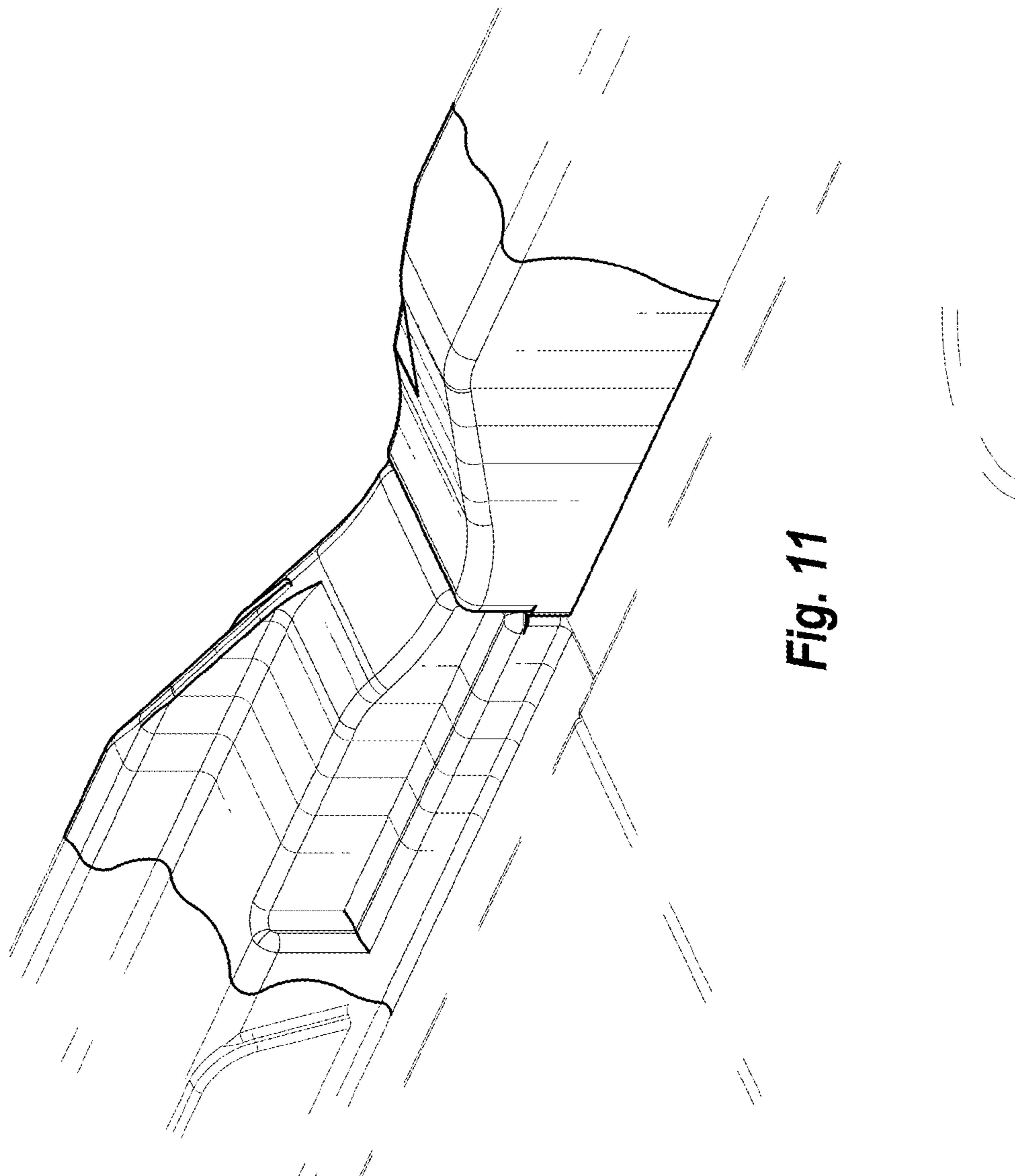


Fig. 11