



US00D727072S

(12) **United States Design Patent**  
**Sorel**

(10) **Patent No.:** **US D727,072 S**

(45) **Date of Patent:** **\*\* Apr. 21, 2015**

- (54) **STORAGE CUBBY WITH POLE**
- (71) Applicant: **Jess Sorel**, Oakland, MI (US)
- (72) Inventor: **Jess Sorel**, Oakland, MI (US)
- (73) Assignee: **Herman Miller, Inc.**, Zeeland, MI (US)
- (\*\*) Term: **14 Years**
- (21) Appl. No.: **29/507,857**
- (22) Filed: **Oct. 31, 2014**
- (51) **LOC (10) Cl.** ..... **06-06**
- (52) **U.S. Cl.**  
USPC ..... **D6/683**
- (58) **Field of Classification Search**  
USPC ..... D3/304, 307-308, 315; D6/396-397,  
D6/449, 466-467, 470-471, 473, 491-493,  
D6/509-511, 672, 672.1, 673, 675, 683;  
211/71.01, 60.1, 62, 30, 33, 37;  
248/688, 519  
See application file for complete search history.

- D583,562 S \* 12/2008 Ghiorghie ..... D3/304
- D585,173 S \* 1/2009 Derry et al. .... D34/17
- D585,174 S \* 1/2009 Derry et al. .... D34/17
- D689,718 S \* 9/2013 Puckett ..... D6/683

\* cited by examiner

*Primary Examiner* — Kelley Donnelly

(74) *Attorney, Agent, or Firm* — Brinks Gilson & Lione

(57) **CLAIM**

The ornamental design for a storage cubby with pole, as shown and described.

**DESCRIPTION**

FIG. 1 is a perspective view of a storage cubby with a pole; FIG. 2 is a front view of the storage cubby and pole shown in FIG. 1; FIG. 3 is a right side view of the storage cubby and pole shown in FIG. 1, with a left side view being a mirror image thereof; FIG. 4 is a rear view of the storage cubby and pole shown in FIG. 1; FIG. 5 is a top view of the storage cubby and pole shown in FIG. 1; and, FIG. 6 is a bottom view of the storage cubby and pole shown in FIG. 1.

The broken lines outlining the feet and the upper portion of the pole and hanger members in FIGS. 1-6 are for environmental purposes only and do not form any part of the claimed design. A boundary line is provided to show a boundary between the claimed lower portion of the pole and the unclaimed upper portion of the pole, but does not form any part of the claimed design.

**1 Claim, 1 Drawing Sheet**

(56) **References Cited**

U.S. PATENT DOCUMENTS

- D284,917 S \* 8/1986 Canter ..... D6/476
- D302,063 S \* 7/1989 Frazier et al. .... D34/17
- D380,107 S \* 6/1997 Redfearn ..... D6/458
- 5,816,586 A \* 10/1998 Richmond ..... 280/47.34
- D406,960 S \* 3/1999 Zaid ..... D6/464
- D426,092 S \* 6/2000 Neustadt ..... D6/511
- D436,263 S \* 1/2001 Alcala et al. .... D6/414

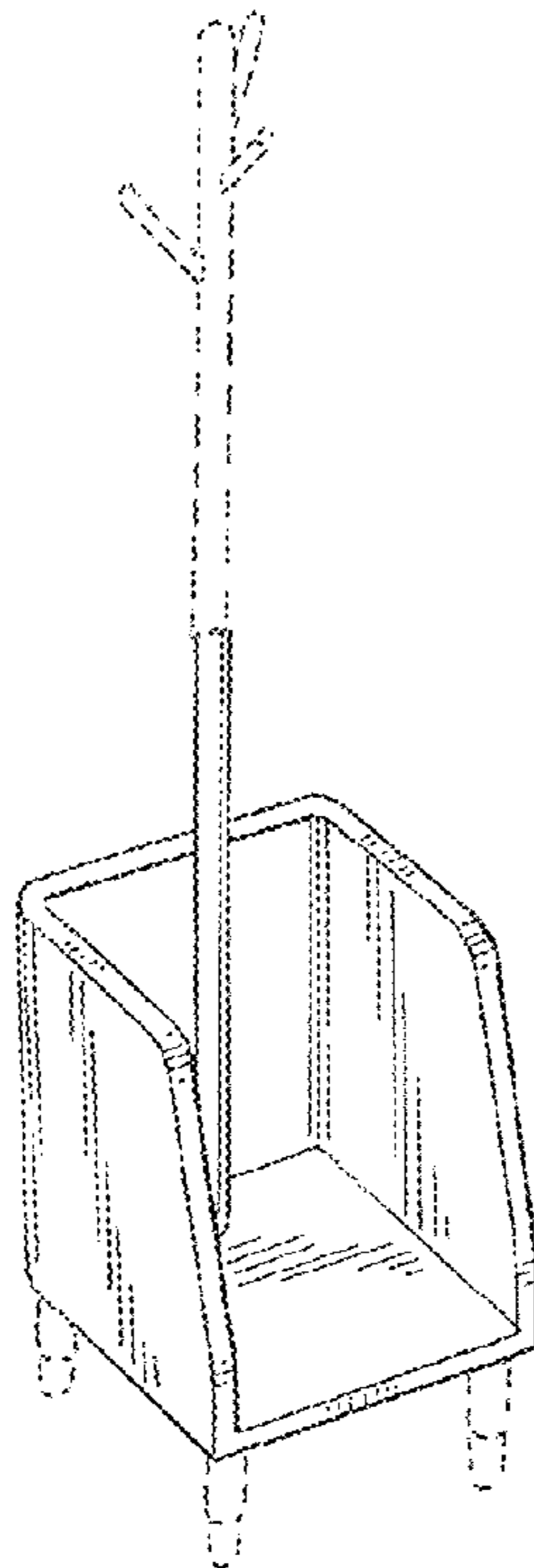


FIG. 1

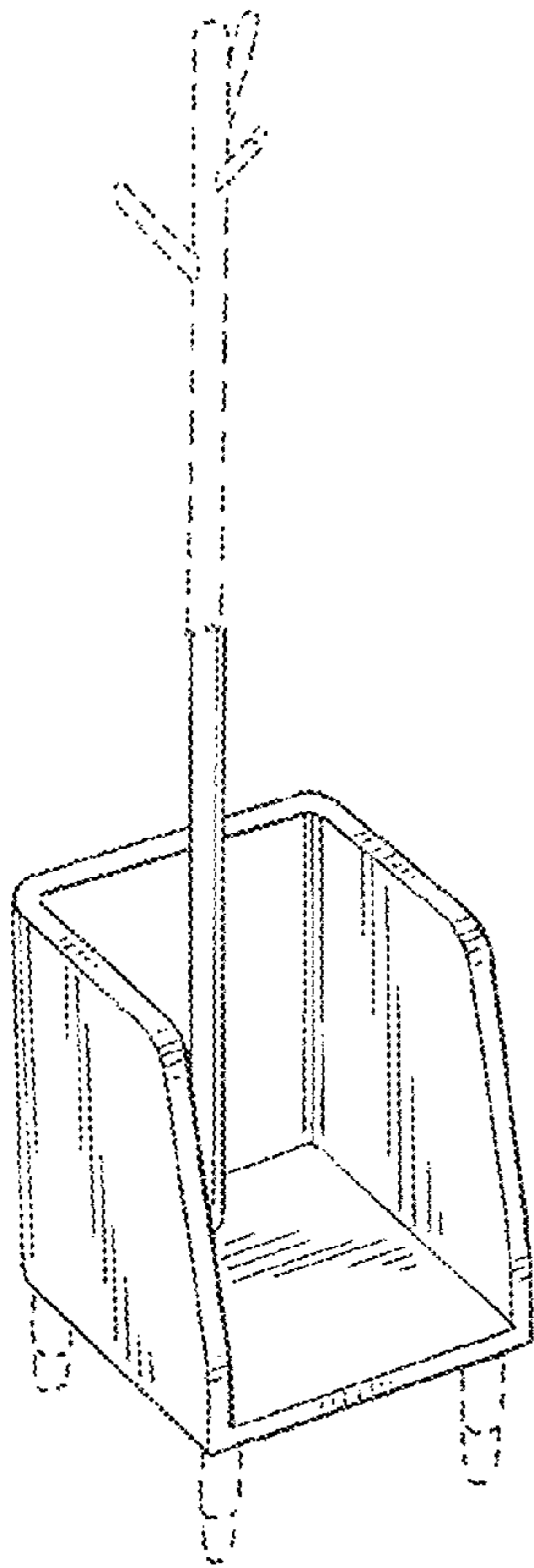


FIG. 2

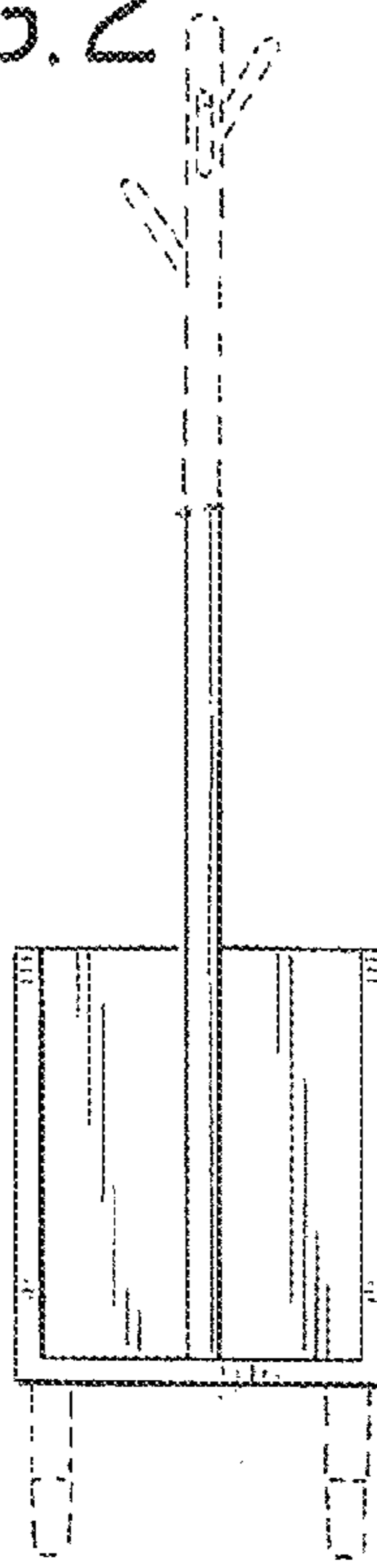


FIG. 3

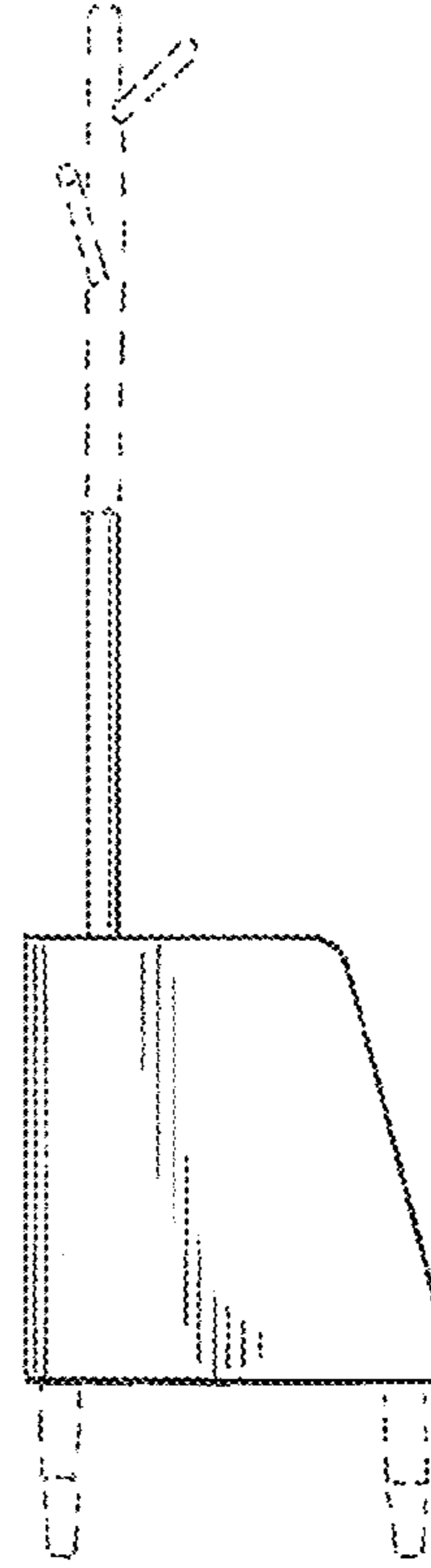


FIG. 4

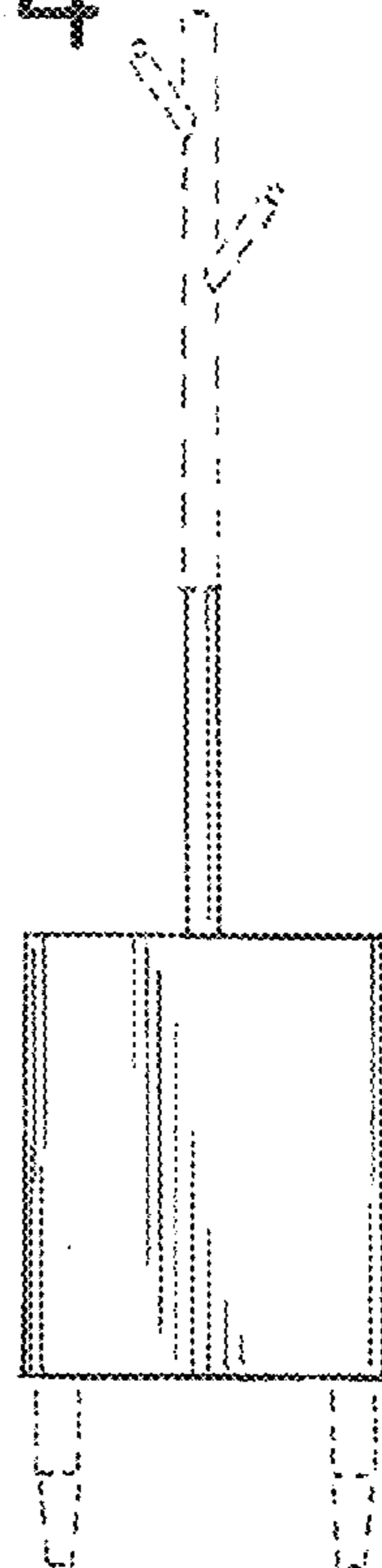


FIG. 5

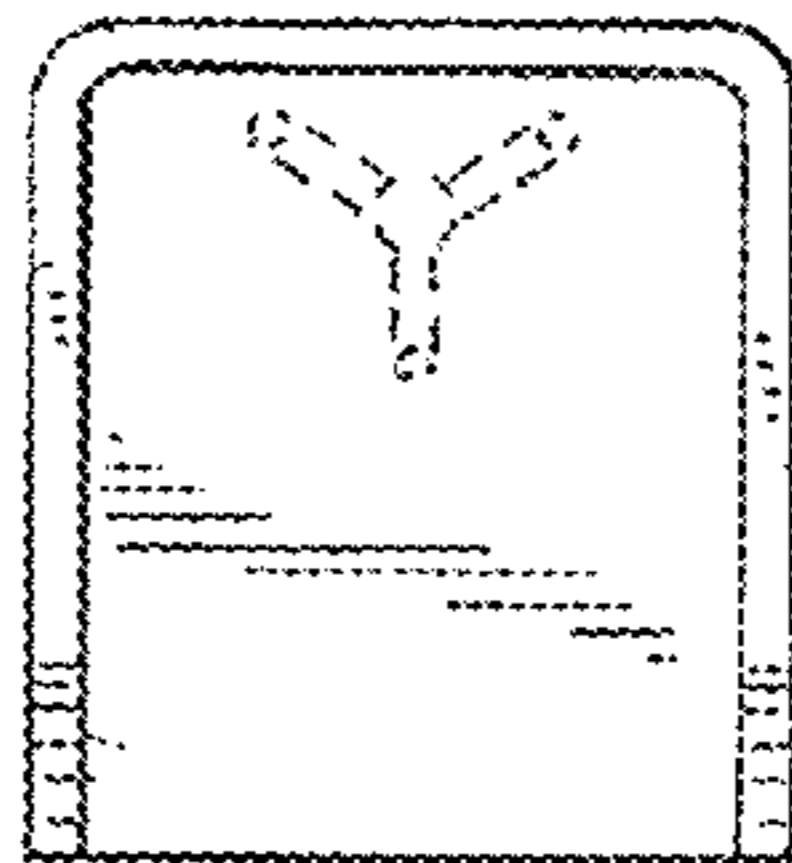


FIG. 6

