



US00D727070S

(12) **United States Design Patent**  
**Carbone**

(10) **Patent No.:** **US D727,070 S**

(45) **Date of Patent:** **\*\* Apr. 21, 2015**

(54) **PROTECTIVE COVER FOR INFANT CARRIER HANDLE**

(71) Applicant: **Nicholas D. Carbone**, Parker, CO (US)

(72) Inventor: **Nicholas D. Carbone**, Parker, CO (US)

(\*\*) Term: **14 Years**

(21) Appl. No.: **29/469,693**

(22) Filed: **Oct. 13, 2013**

(51) **LOC (10) Cl.** ..... **06-13**

(52) **U.S. Cl.**  
USPC ..... **D6/611**

(58) **Field of Classification Search**  
USPC ..... D6/333-335, 610-611, 615-617, 621;  
150/154, 158, 901, 165-167;  
297/219.1, 219.12, 228.1, 228.12,  
297/228.13, 250.1, 181.1, 184.11, 184.13,  
297/184.15, 184.17; 5/416, 101-102, 105,  
5/655, 414, 413; 296/77.1, 136.01,  
296/136.1, 136.11; D21/419, 424, 427;  
D12/401-405, 416, 129-130; 135/87,  
135/88.01; 280/770, 30; D2/718, 719  
See application file for complete search history.

(56) **References Cited**

**U.S. PATENT DOCUMENTS**

D388,998 S \* 1/1998 Dubiel ..... D6/611  
D462,221 S \* 9/2002 Brewer ..... D6/611

D546,108 S \* 7/2007 Heiman-Philpott ..... D6/611  
D559,022 S \* 1/2008 Morales Cabello ..... D6/500  
D562,612 S \* 2/2008 Simpson et al. .... D6/611  
D601,845 S \* 10/2009 Pierce ..... D6/611  
D602,407 S \* 10/2009 Sanderson ..... D12/133  
D634,575 S \* 3/2011 Russo ..... D6/611  
D671,785 S \* 12/2012 Ouellette ..... D6/611  
D673,784 S \* 1/2013 Lang ..... D6/333  
D675,468 S \* 2/2013 James ..... D6/611  
D683,169 S \* 5/2013 Lang et al. .... D6/715.2  
D696,053 S \* 12/2013 Lang et al. .... D6/715

\* cited by examiner

*Primary Examiner* — Caron D Veynar

*Assistant Examiner* — Abraham Bahta

(57) **CLAIM**

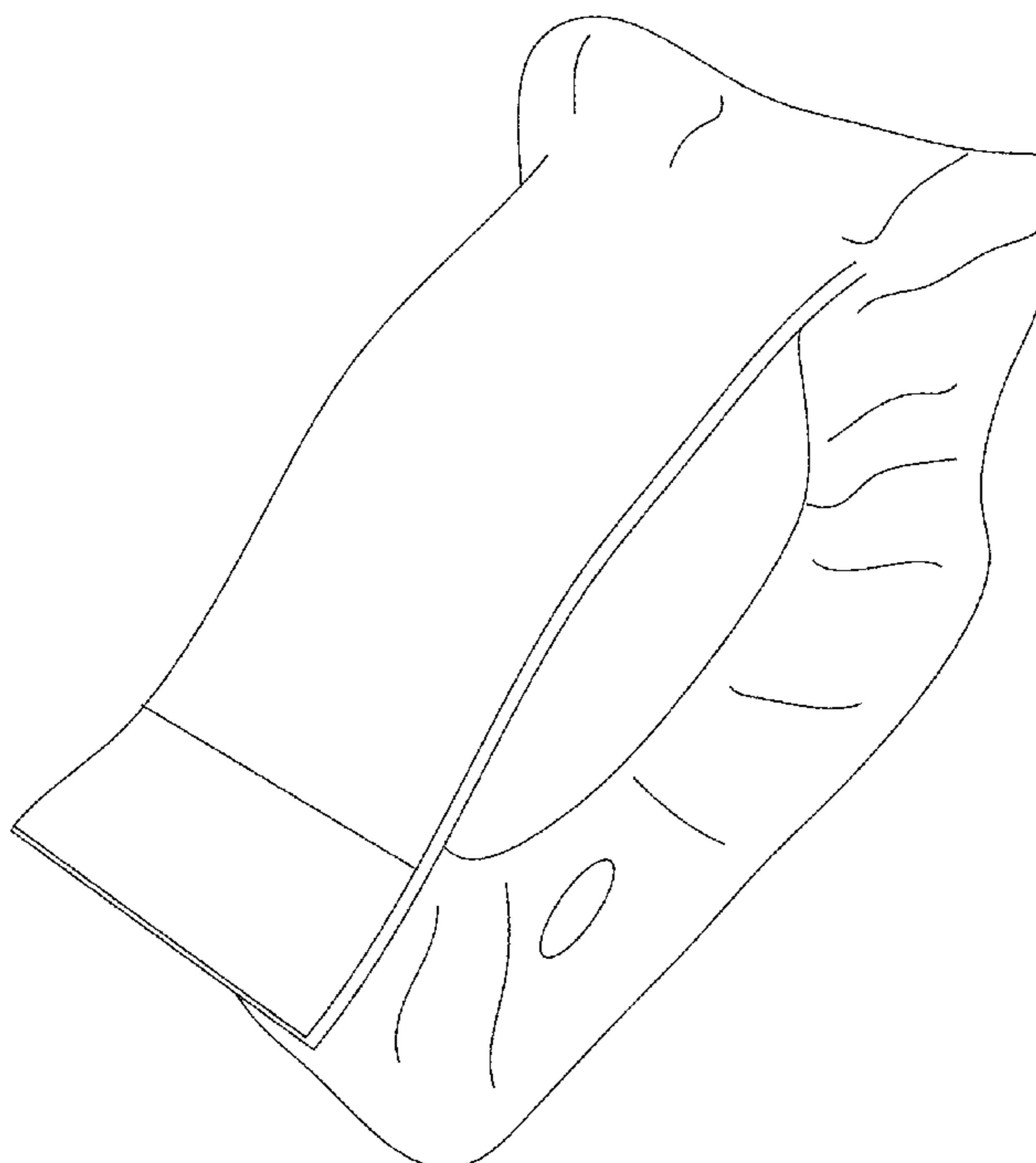
The ornamental design for a protective cover for an infant carrier handle, as shown and described.

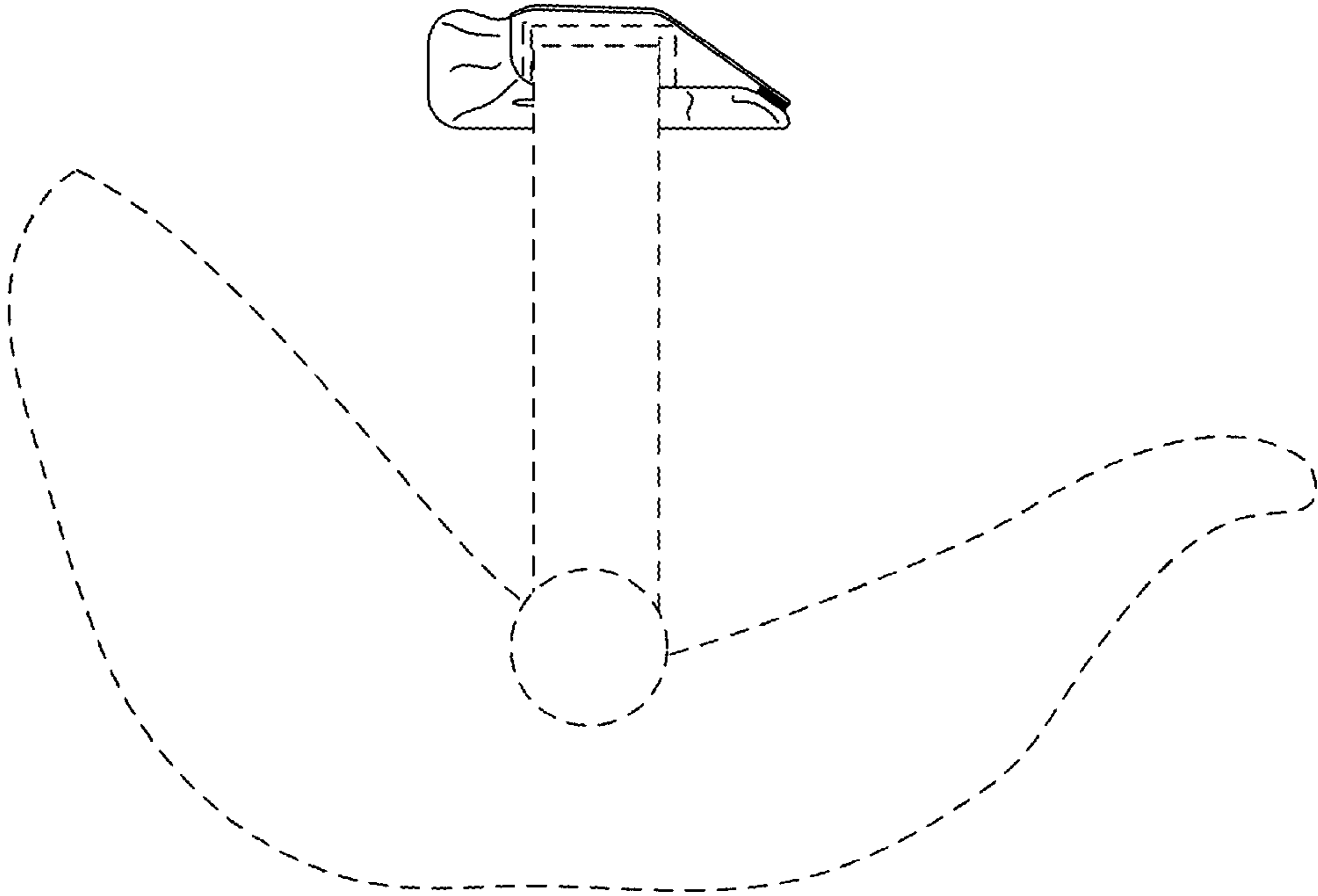
**DESCRIPTION**

FIG. 1 is a side elevation view of a protective cover for an infant carrier handle showing my new design; FIG. 2 is a side elevation view thereof; FIG. 3 is a left front perspective view thereof; FIG. 4 is a right front perspective view thereof; and, FIG. 5 is a front view thereof.

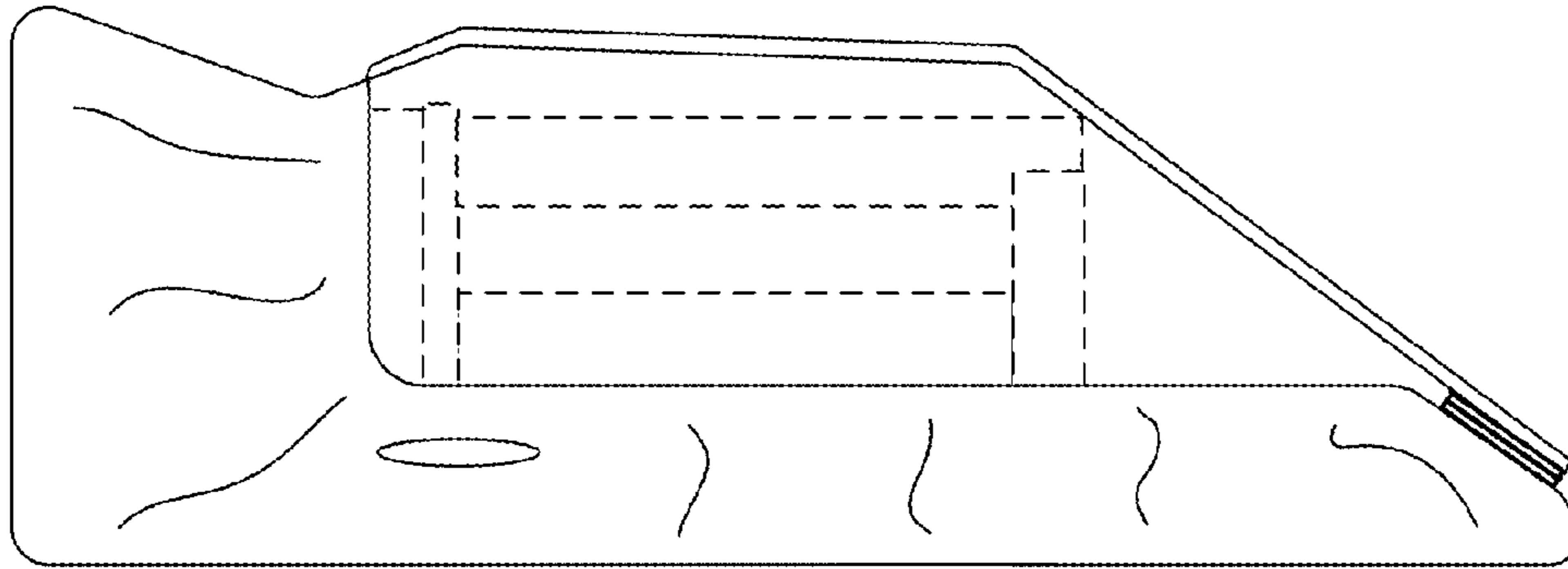
The broken line showing of the infant carrier and portions of the protective cover is included for the purpose of illustrating environmental structure and forms no part of the claimed design.

**1 Claim, 5 Drawing Sheets**





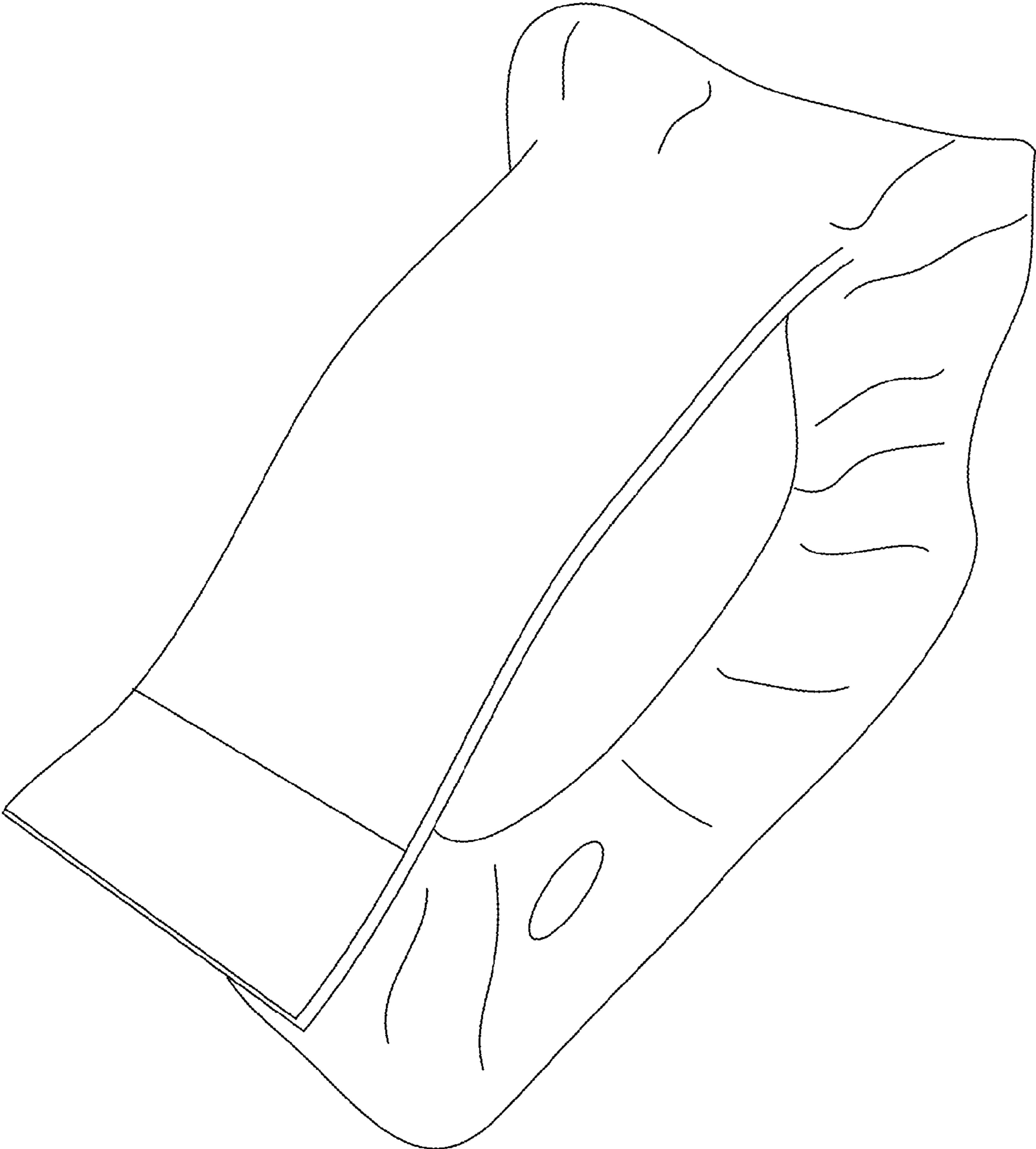
**FIG 1**



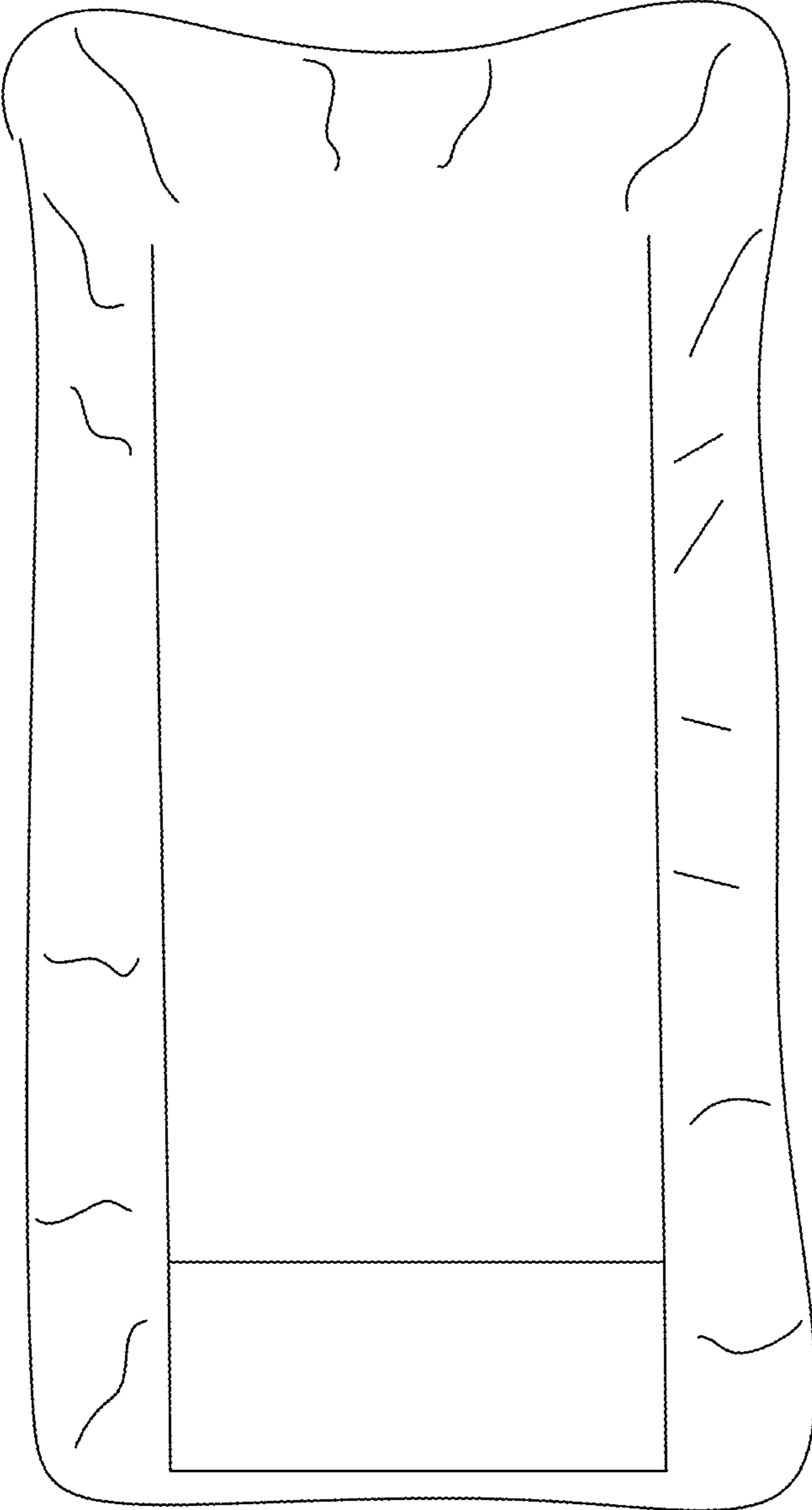
**FIG 2**



**FIG 3**



**FIG 4**



**FIG 5**