



US00D727068S

(12) **United States Design Patent**
Theisen et al.

(10) **Patent No.:** **US D727,068 S**
(45) **Date of Patent:** **** Apr. 21, 2015**

(54) **DISPLAY FIXTURE**
(71) Applicant: **Target Brands, Inc.**, Minneapolis, MN (US)
(72) Inventors: **Jennifer A. Theisen**, Crystal, MN (US); **William Y. Stafford**, Minnetrista, MN (US); **Erin L. Zobel**, Minneapolis, MN (US); **Timothy J. Martell**, Brooklyn Park, MN (US)

5,011,018 A 4/1991 Keffeler
5,012,936 A 5/1991 Crum
5,014,862 A 5/1991 Bustos
5,022,621 A 6/1991 Quest
5,265,735 A 11/1993 Hassel et al.
5,330,063 A 7/1994 Remmers
5,390,802 A 2/1995 Pappagallo et al.
5,494,246 A 2/1996 McCarthy et al.
5,538,213 A 7/1996 Brown
D374,364 S * 10/1996 Morris D6/559
5,657,880 A 8/1997 Birnbaum

(Continued)

(73) Assignee: **Target Brands, Inc.**, Minneapolis, MN (US)

OTHER PUBLICATIONS

(**) Term: **14 Years**

Office Action from Canadian Patent Application No. 150,458, mailed Jun. 17, 2014 (1 page).

(Continued)

(21) Appl. No.: **29/447,717**

Primary Examiner — Brian N Vinson

(22) Filed: **Mar. 6, 2013**

(74) *Attorney, Agent, or Firm* — Leanne Taveggia Farrell; Westman, Champlin & Koehler, P.A.

(51) **LOC (10) Cl.** **06-04**

(52) **U.S. Cl.**
USPC **D6/559**

(57) **CLAIM**

(58) **Field of Classification Search**
USPC D6/512, 553, 559, 561, 672, 675, 702, D6/703, 705.4, 705.5, 707, 707.19; D3/201, 205, 211, 315; 206/784, 822, 206/581, 361, 208, 209, 209.1
See application file for complete search history.

The ornamental design for a display fixture, as shown and described.

DESCRIPTION

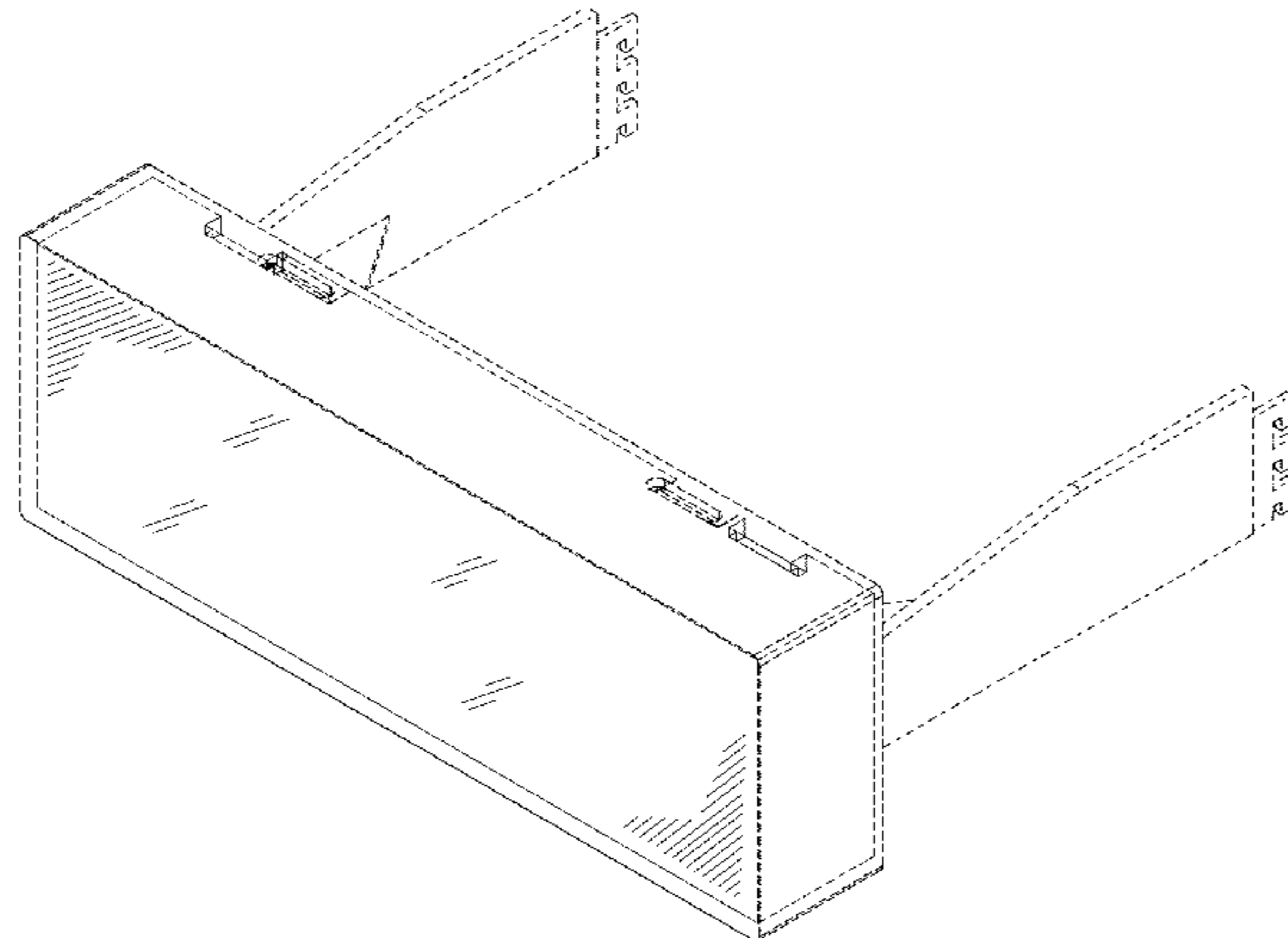
(56) **References Cited**

U.S. PATENT DOCUMENTS

1,844,692 A 2/1932 Schnoor
2,627,684 A 2/1953 Johnson
D197,236 S * 12/1963 Brown D6/559
3,984,931 A 10/1976 Belokin, Jr.
4,048,768 A 9/1977 Good
4,324,379 A 4/1982 Ovitz, III
4,429,796 A 2/1984 Sussman
4,534,529 A 8/1985 Dorner
4,541,675 A 9/1985 Everett
D285,268 S * 8/1986 Scheid et al. D6/559
4,611,866 A 9/1986 Everett
4,926,294 A 5/1990 Beaulieu et al.

FIG. 1 is a perspective view of a display fixture showing our new design;
FIG. 2 is a front view thereof;
FIG. 3 is a back view thereof;
FIG. 4 is a left side view thereof, the right side being a mirror image;
FIG. 5 is a top view thereof; and,
FIG. 6 is a bottom view thereof.
The uniform broken lines shown in the drawings are included for purposes of illustrating portions of the display fixture which form no part of the claimed design; whereas, the non-uniform broken lines shown in the drawings are included for purposes of illustrating environment and form no part of the claimed design.

1 Claim, 3 Drawing Sheets



(56)

References Cited

U.S. PATENT DOCUMENTS

D386,347 S * 11/1997 Rios D6/559
 5,758,585 A 6/1998 Latchinian
 D398,107 S * 9/1998 Ratcliff D6/559
 6,179,434 B1 1/2001 Saraji
 6,202,965 B1 3/2001 Chong
 6,364,136 B1 4/2002 Weshler et al.
 6,409,027 B1 6/2002 Chang et al.
 D528,840 S * 9/2006 Greiner D6/559
 7,240,803 B2 7/2007 Stitchick et al.
 7,591,382 B2 9/2009 Brock
 7,600,887 B2 10/2009 Sherman
 7,628,525 B2 12/2009 Lee et al.
 7,882,969 B2 2/2011 Gerstner et al.
 7,913,861 B2 3/2011 Mueller et al.
 7,992,728 B2 8/2011 Burgess et al.
 8,087,522 B2 1/2012 Stafford et al.
 D656,050 S * 3/2012 Botelho D6/559
 8,443,988 B2 5/2013 Niederhuefner
 8,646,935 B2 2/2014 Karan

D704,957 S * 5/2014 Dimitrakos D6/559
 8,763,819 B2 7/2014 Theisen et al.
 2001/0010302 A1 8/2001 Nickerson
 2004/0118795 A1 6/2004 Burke
 2004/0250456 A1 12/2004 Welker
 2006/0049122 A1 3/2006 Mueller et al.
 2007/0068885 A1 3/2007 Busto et al.
 2007/0108142 A1 5/2007 Medcalf et al.
 2007/0138114 A1 6/2007 Dumontet
 2007/0272634 A1 11/2007 Richter et al.
 2008/0121146 A1 5/2008 Burns et al.
 2010/0258513 A1 10/2010 Meyer et al.
 2010/0299983 A1 12/2010 Wang
 2012/0042549 A1 2/2012 Schattinger et al.

OTHER PUBLICATIONS

Office Action from Canadian Patent Application No. 156,840, mailed Jun. 11, 2014 (1 page).
 Office Action from Canadian Patent Application No. 150458, mailed Jan. 31, 2014 (5 pages).

* cited by examiner

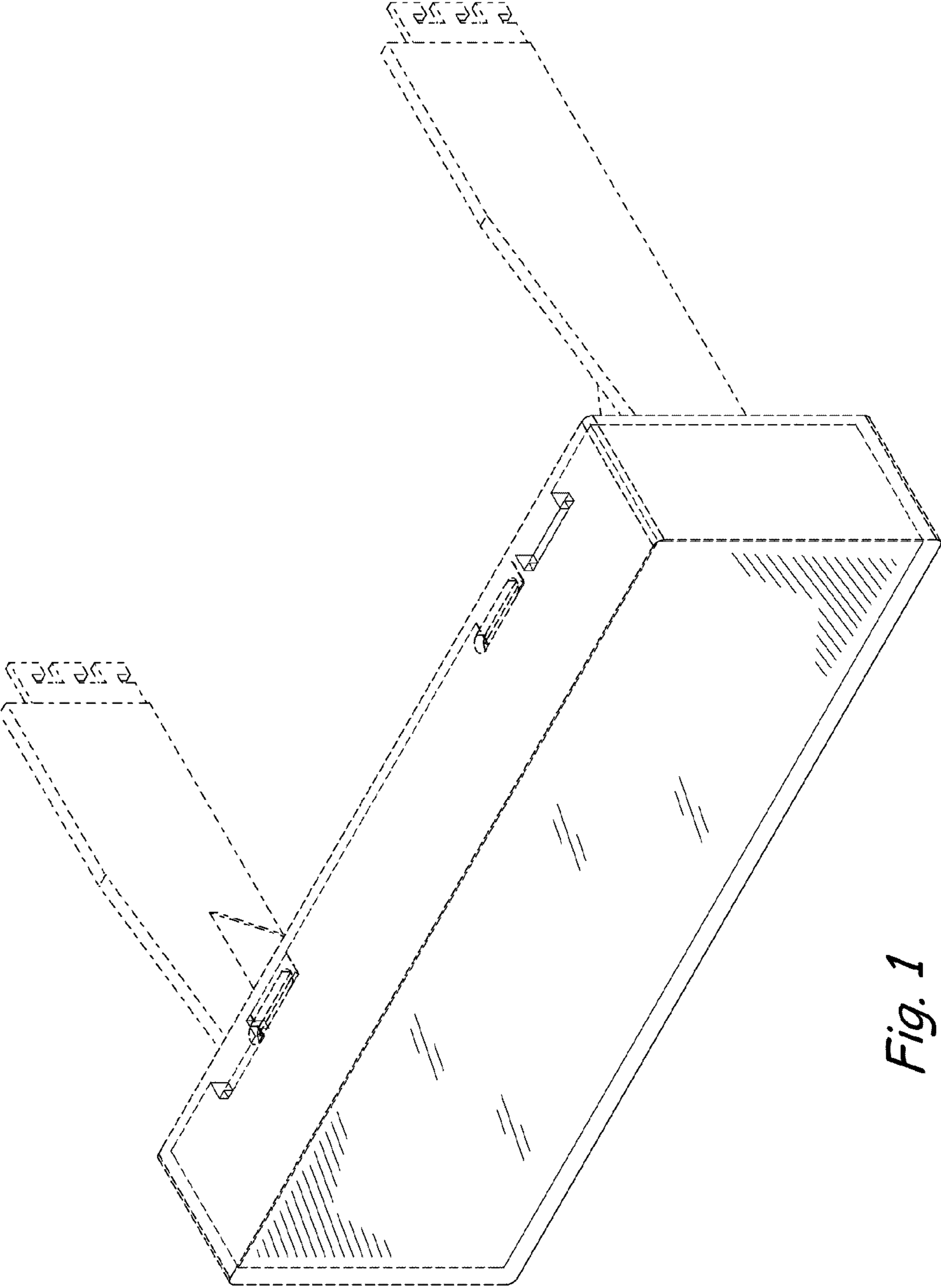


Fig. 1

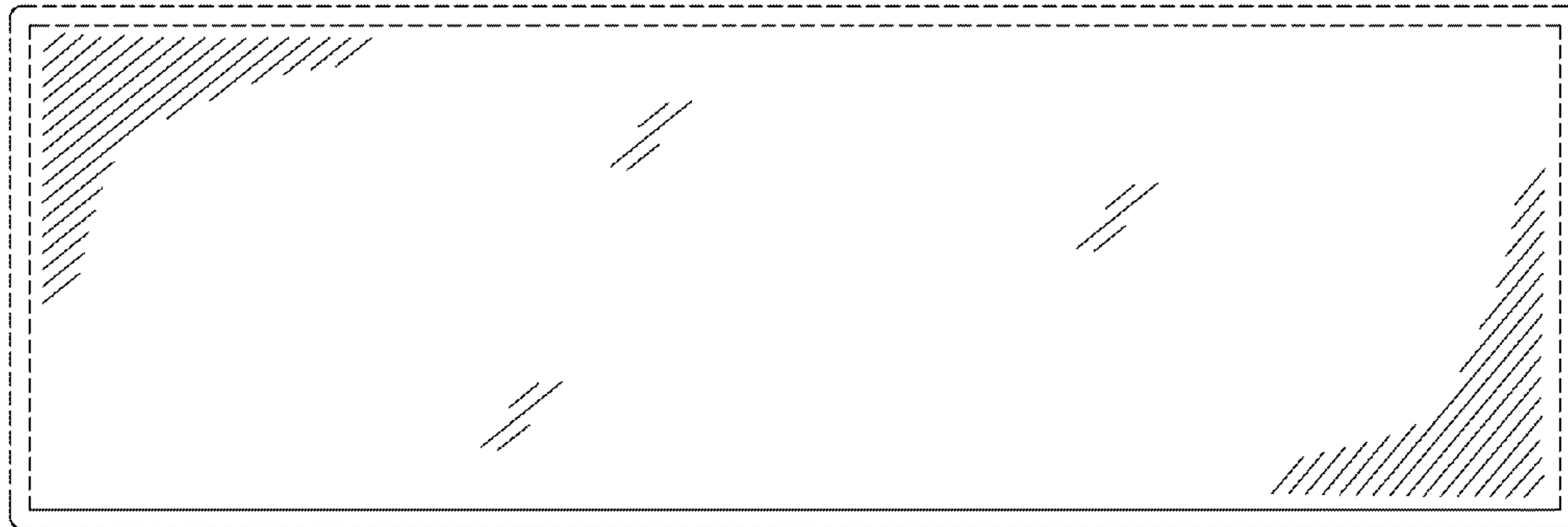


Fig. 2

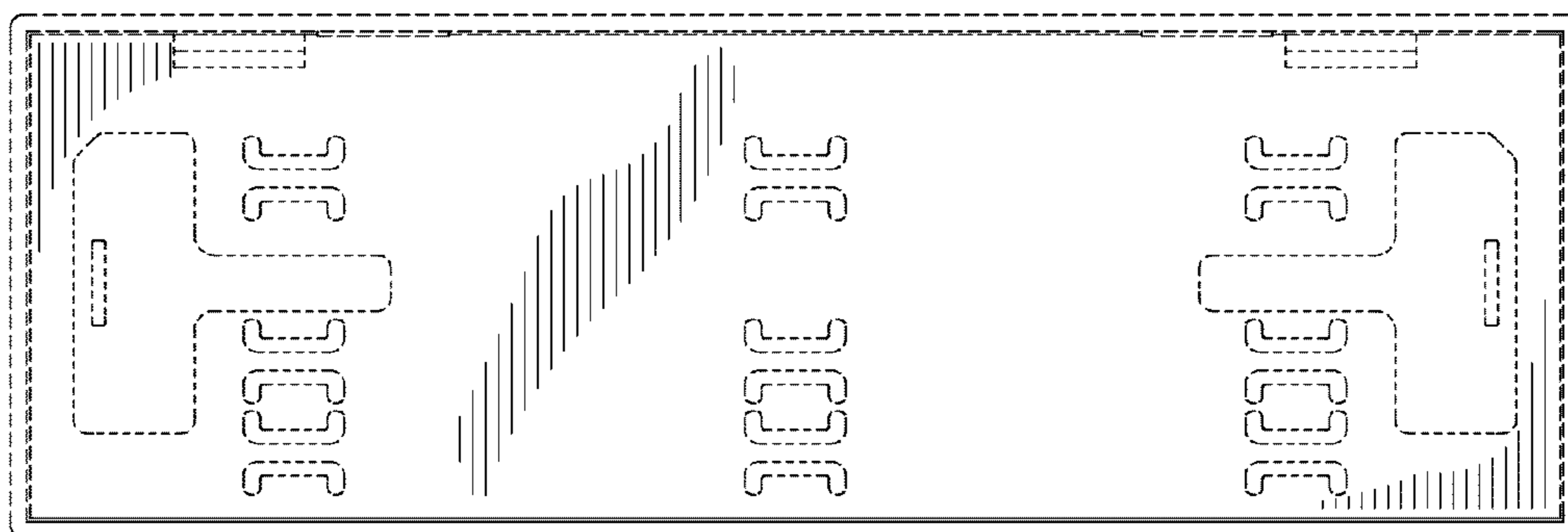


Fig. 3

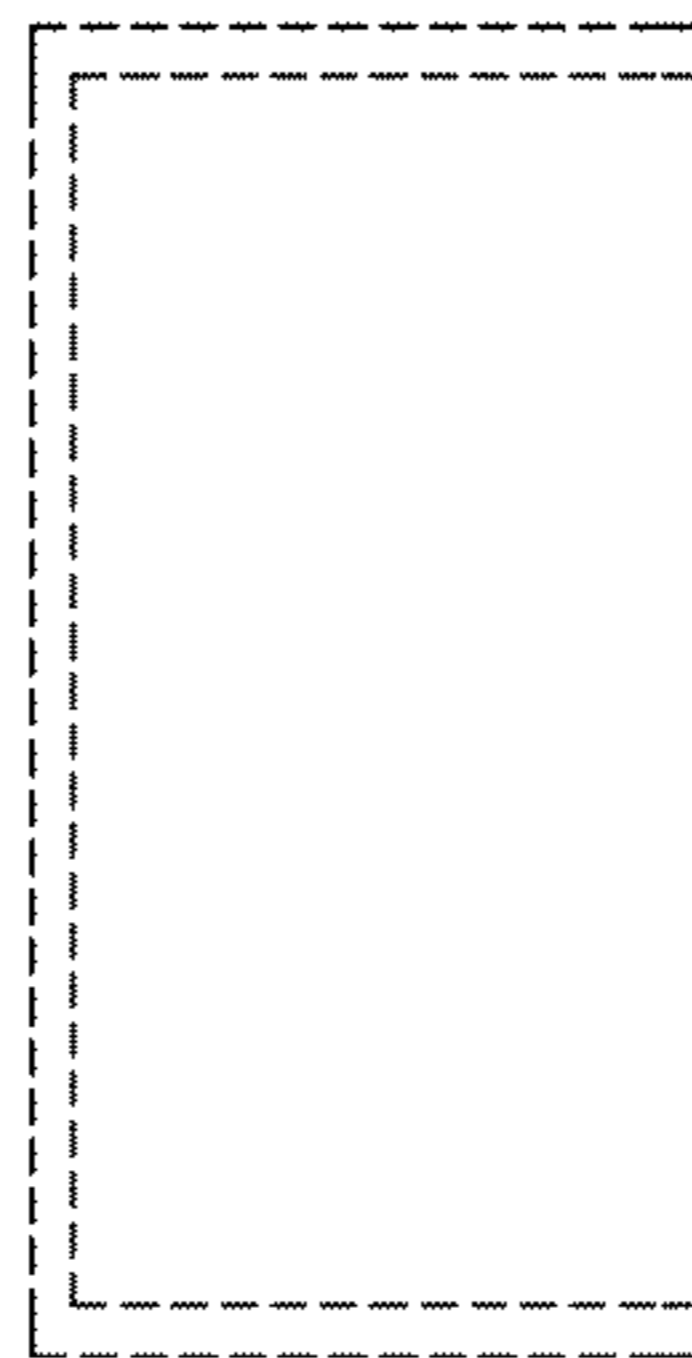


Fig. 4



Fig. 5

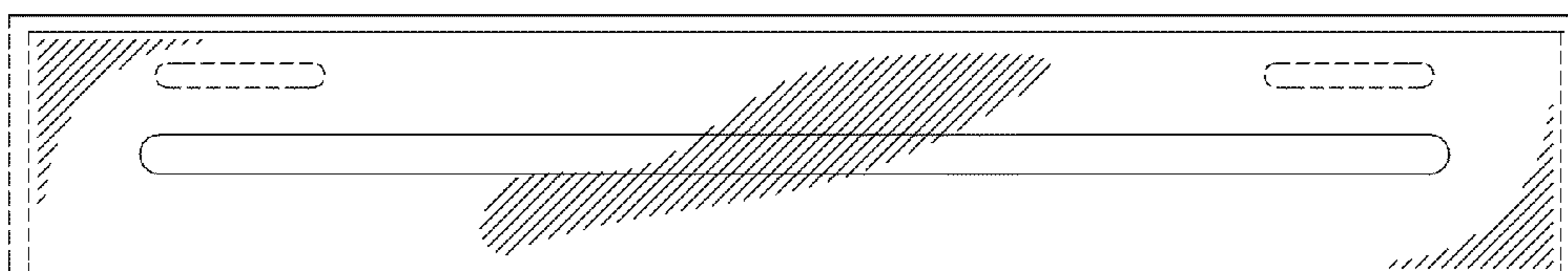


Fig. 6