



US00D727067S

(12) **United States Design Patent**  
**Cohen**

(10) **Patent No.:** **US D727,067 S**

(45) **Date of Patent:** **\*\* Apr. 21, 2015**

(54) **DECORATIVE TOWEL STAND**

(71) Applicant: **Howard Cohen**, Indialantic, FL (US)

(72) Inventor: **Howard Cohen**, Indialantic, FL (US)

(\*\*) Term: **14 Years**

(21) Appl. No.: **29/460,028**

(22) Filed: **Jul. 6, 2013**

(51) **LOC (10) Cl.** ..... **06-04**

(52) **U.S. Cl.**  
USPC ..... **D6/548**

(58) **Field of Classification Search**  
USPC ..... D6/518–524, 546–550, 574; D8/300,  
D8/370, 315; 108/28–29; 211/13.1, 16,  
211/85.5, 86.01, 87.01, 88.04, 100, 105.1,  
211/105.2, 106, 113, 123, 181.1, 182–183;  
248/49, 175, 176.1, 200, 201, 205.1,  
248/251, 302, 309.1, 315; 242/570, 590,  
242/595–598; D23/303

See application file for complete search history.

(56) **References Cited**

**U.S. PATENT DOCUMENTS**

D249,615 S \* 9/1978 Frisbey ..... D6/463  
D273,161 S \* 3/1984 Weber ..... D6/548

D295,931 S \* 5/1988 Bezzerides ..... D6/463  
D436,777 S \* 1/2001 Walker ..... D6/548  
D456,167 S \* 4/2002 Harwanko ..... D6/548

**OTHER PUBLICATIONS**

Paul Associates Catalogue #9094 Zuma Bath Valet, p. 266.\*  
Bed Bath & Beyond, Neu Home Lohas Bamboo Towel Stand, Date  
Downloaded Jun. 24, 2013, www.bedbathandbeyond.com.

\* cited by examiner

*Primary Examiner* — Brian N Vinson

(74) *Attorney, Agent, or Firm* — Stephen C. Thomas

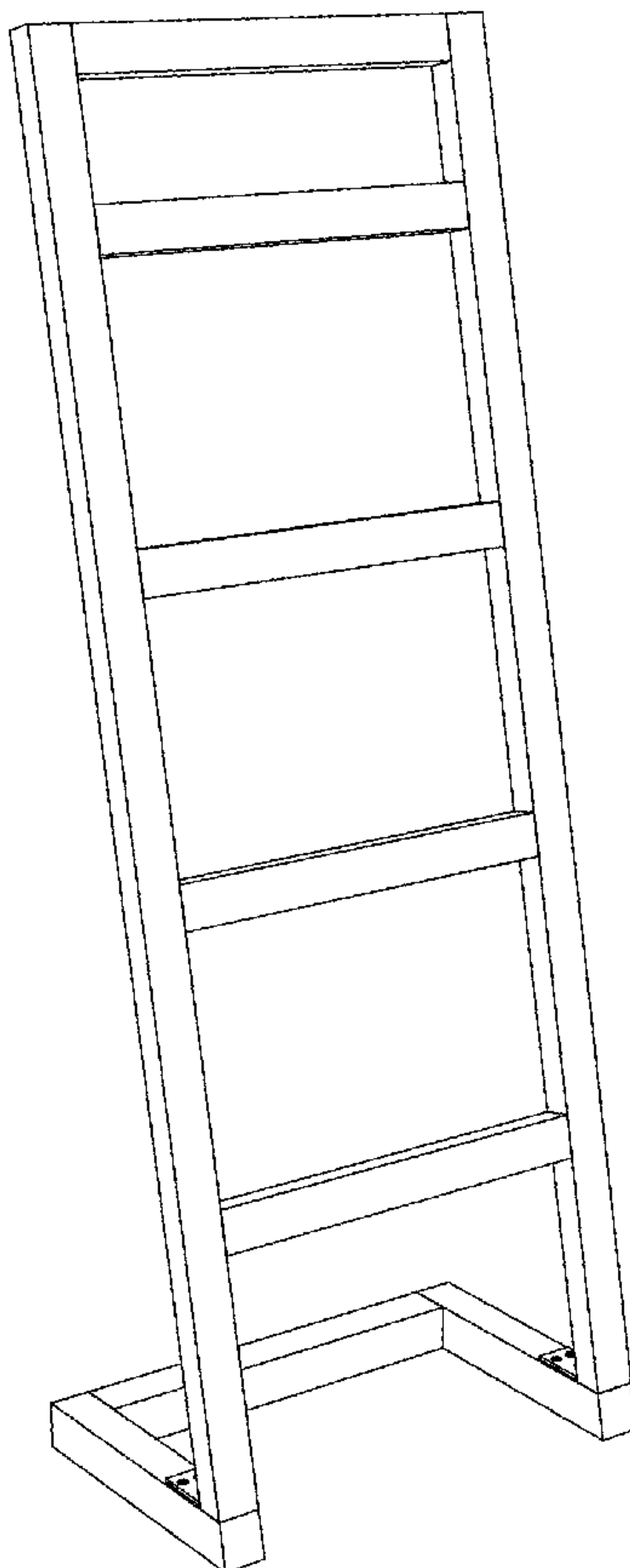
(57) **CLAIM**

The ornamental design for a decorative towel stand, as shown  
and described.

**DESCRIPTION**

FIG. 1 is a top, front, and left side perspective view of a  
decorative towel stand showing my new design;  
FIG. 2 is a reduced front elevational view thereof;  
FIG. 3 is a reduced front and right side perspective view  
thereof;  
FIG. 4 is a reduced front and left side perspective view  
thereof;  
FIG. 5 is a reduced top plan view thereof; and,  
FIG. 6 is a reduced bottom plan view thereof.

**1 Claim, 2 Drawing Sheets**



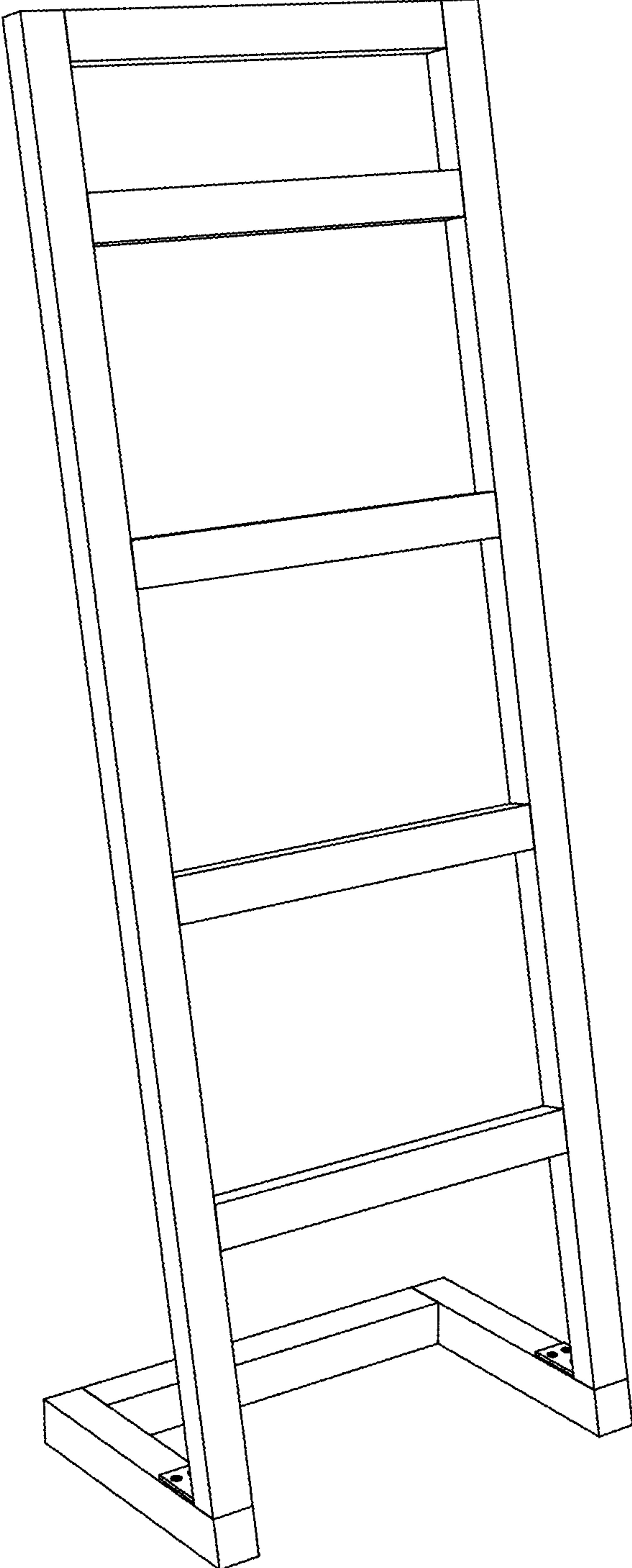


Fig. 1

Fig. 5

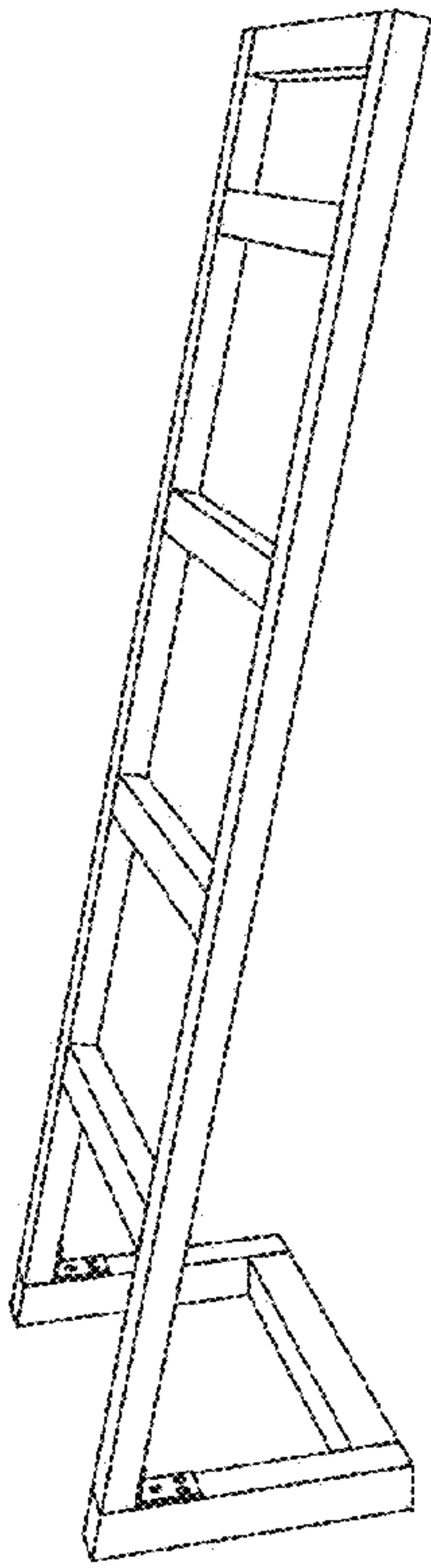
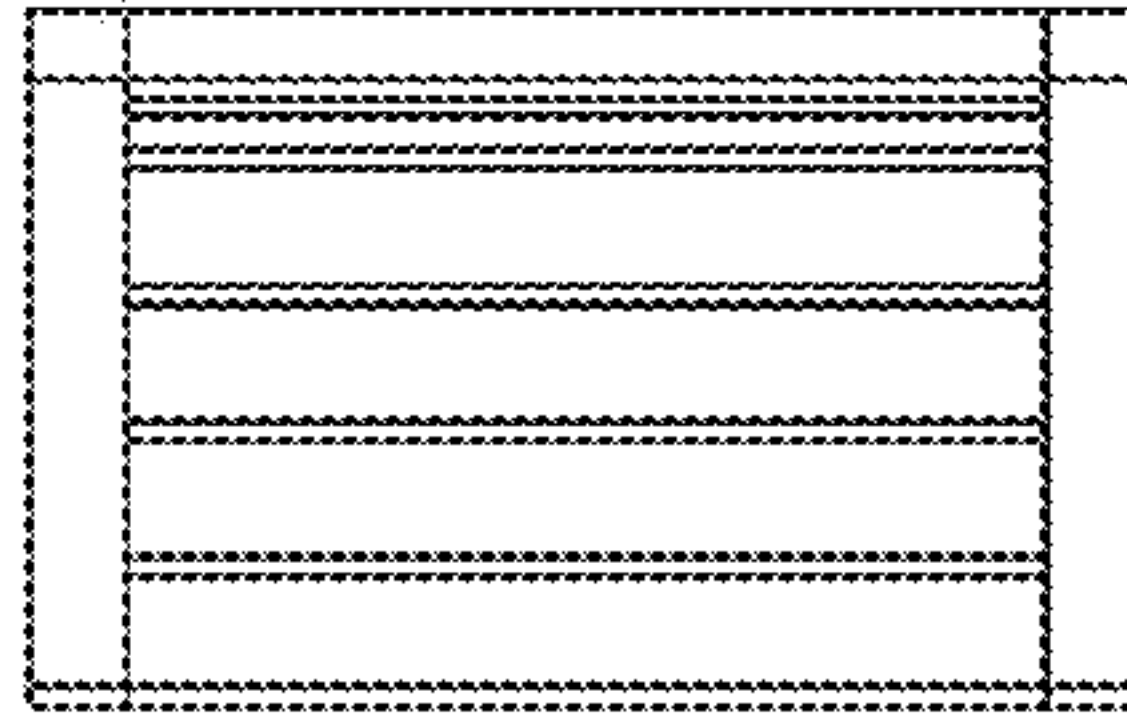


Fig. 3

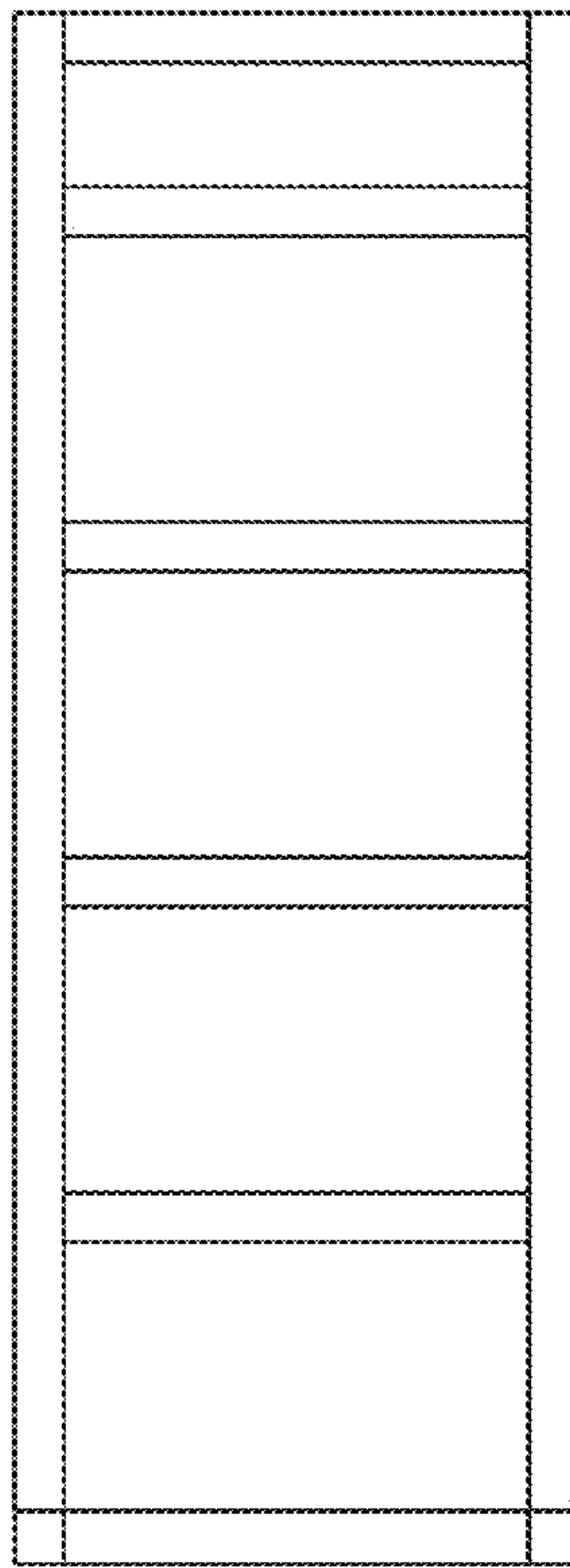


Fig. 2

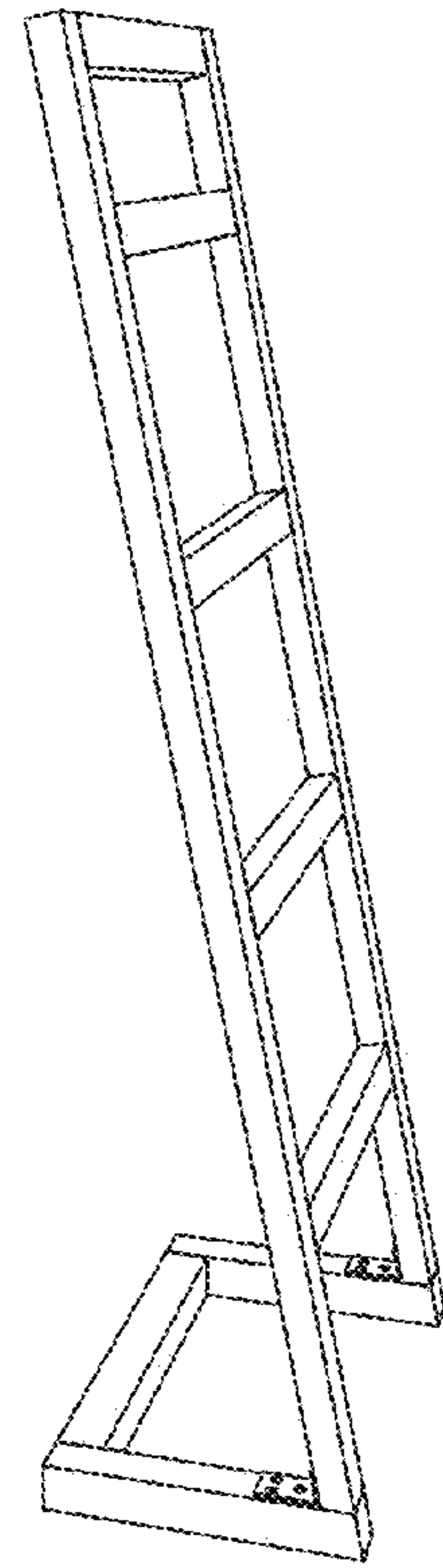


Fig. 4

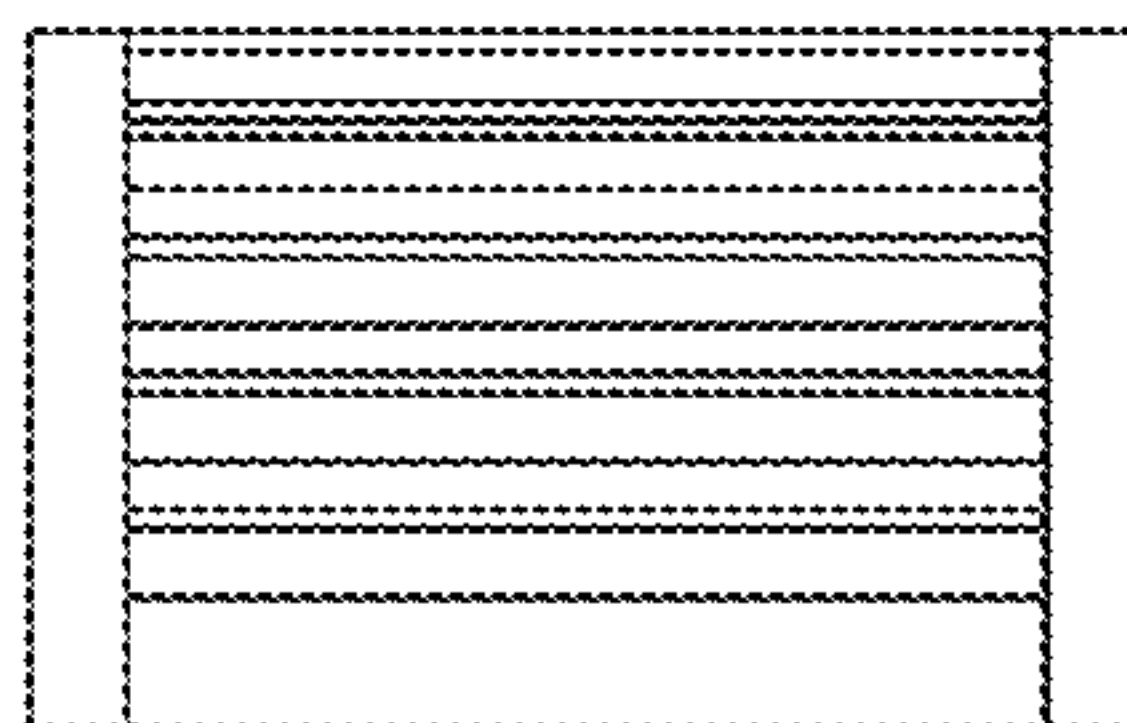


Fig. 6