



US00D727063S

(12) **United States Design Patent**
Ellis

(10) **Patent No.:** **US D727,063 S**
(45) **Date of Patent:** **** Apr. 21, 2015**

- (54) **DENTAL RACK AND DISPENSER**
- (71) Applicant: **Charmine Ellis**, Brooklyn, NY (US)
- (72) Inventor: **Charmine Ellis**, Brooklyn, NY (US)
- (**) Term: **14 Years**
- (21) Appl. No.: **29/495,501**
- (22) Filed: **Jul. 1, 2014**
- (51) **LOC (10) Cl.** **23-02**
- (52) **U.S. Cl.**
USPC **D6/528**
- (58) **Field of Classification Search**
USPC D6/524, 528, 534; 206/349, 361, 362,
206/362.1, 362.2, 362.3; 211/13.1, 65
See application file for complete search history.

D538,091 S *	3/2007	Roth	D6/534
D648,162 S *	11/2011	Michnuk	D6/534
D667,248 S *	9/2012	Lawer	D6/534
D672,592 S *	12/2012	Legreca et al.	D6/534
D676,695 S *	2/2013	Dinh	D6/518

* cited by examiner

Primary Examiner — Brian N Vinson
(74) *Attorney, Agent, or Firm* — Maier & Maier, PLLC

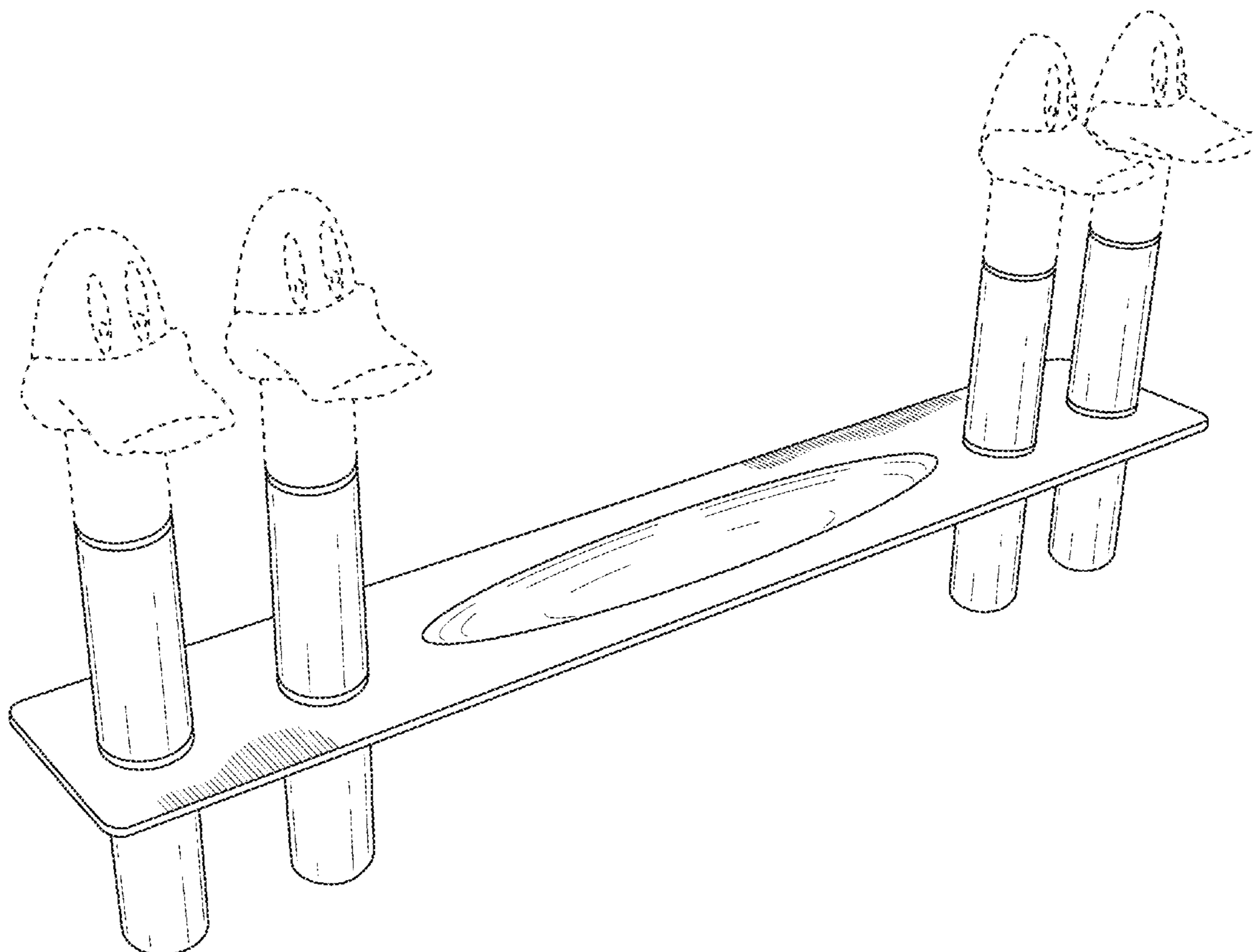
(57) **CLAIM**
The ornamental design for a dental rack and dispenser, as shown and described.

DESCRIPTION

FIG. 1 is a top front perspective view of a dental rack and dispenser, showing my design;
FIG. 2 is a front elevation view thereof;
FIG. 3 is a top plan view thereof;
FIG. 4 is a rear elevation view thereof;
FIG. 5 is a bottom plan view thereof;
FIG. 6 is a left end elevation view thereof; and,
FIG. 7 is a right end elevation view thereof.
The broken line showing in the figures illustrates portions of the dental rack and dispenser and forms no part of the claimed design.

- (56) **References Cited**
U.S. PATENT DOCUMENTS
- | | | | | |
|---------------|---------|----------|-------|--------|
| D241,591 S * | 9/1976 | Fentules | | D6/534 |
| 4,973,018 A * | 11/1990 | Agor | | D6/528 |
| D356,227 S * | 3/1995 | Hay | | D6/528 |
| D389,686 S * | 1/1998 | Drage | | D6/528 |
| 5,730,302 A * | 3/1998 | Groene | | D6/534 |
| D424,855 S * | 5/2000 | Murphy | | D6/528 |
| D481,572 S * | 11/2003 | Dretzka | | D6/534 |

1 Claim, 4 Drawing Sheets



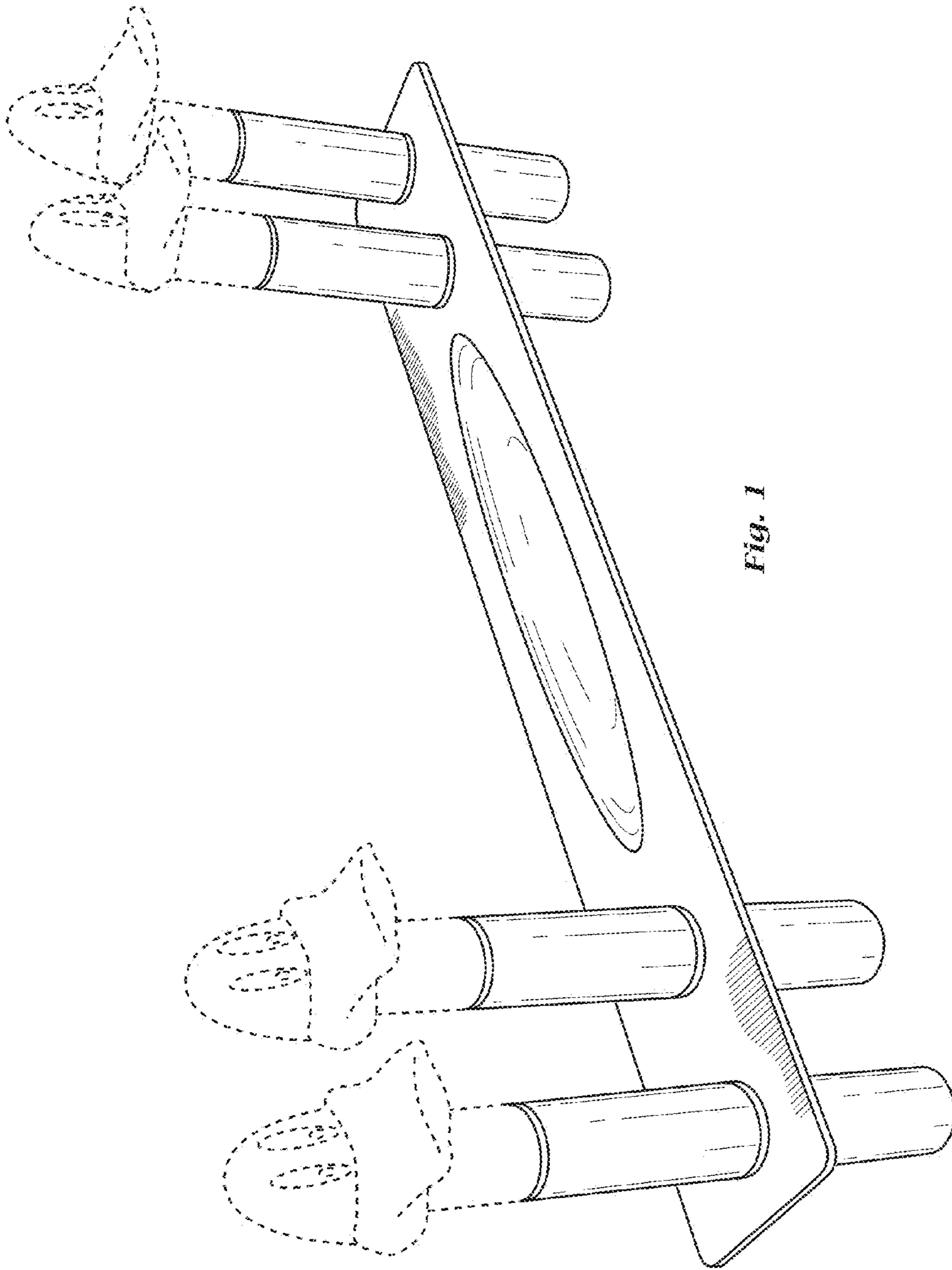


Fig. 1

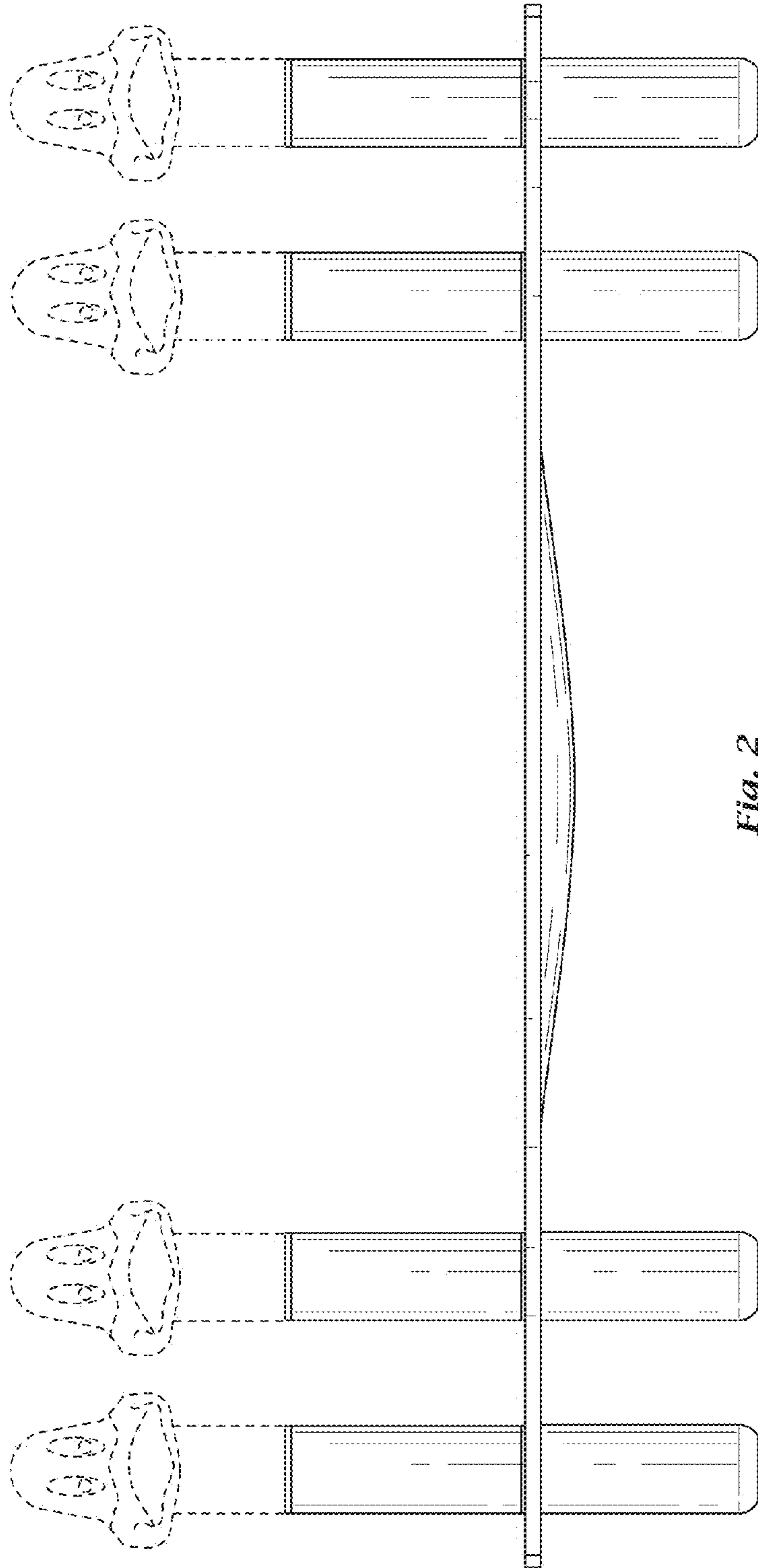


Fig. 2

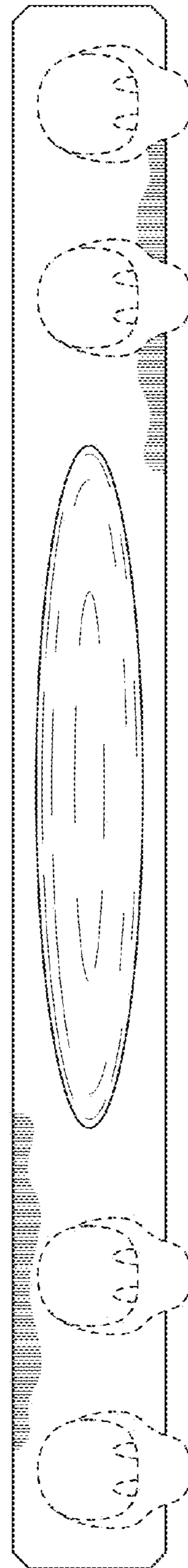


Fig. 3

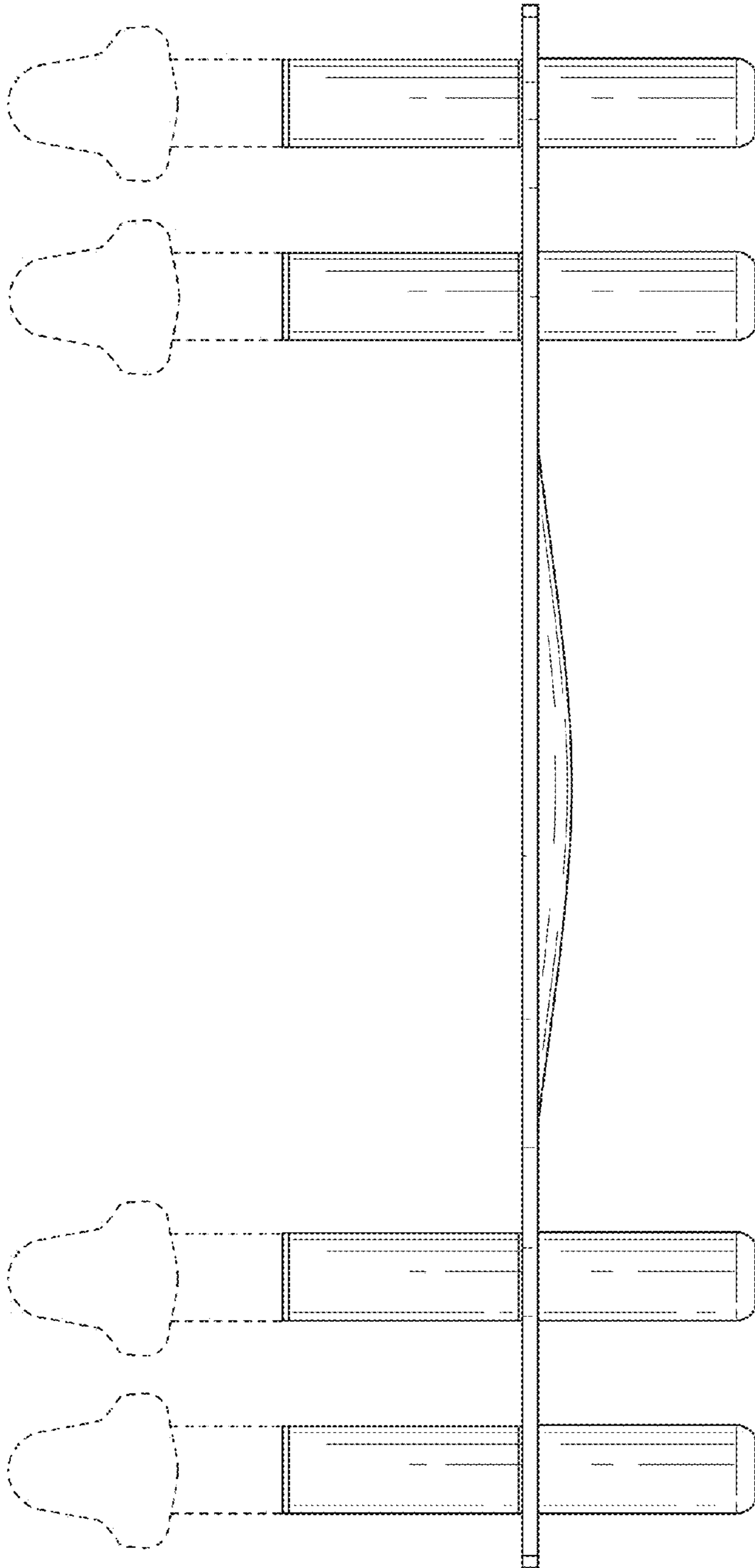


Fig. 4

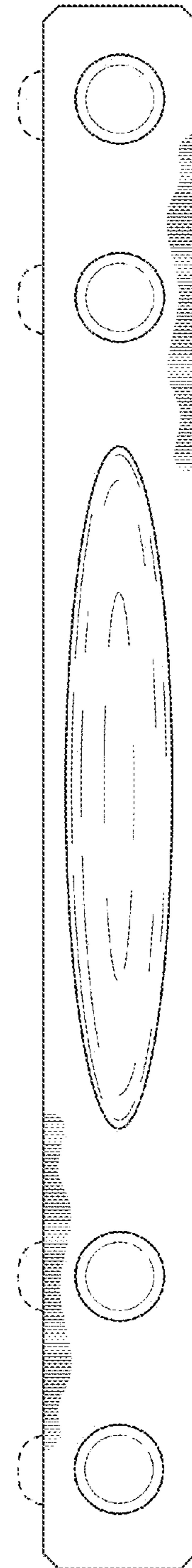


Fig. 5

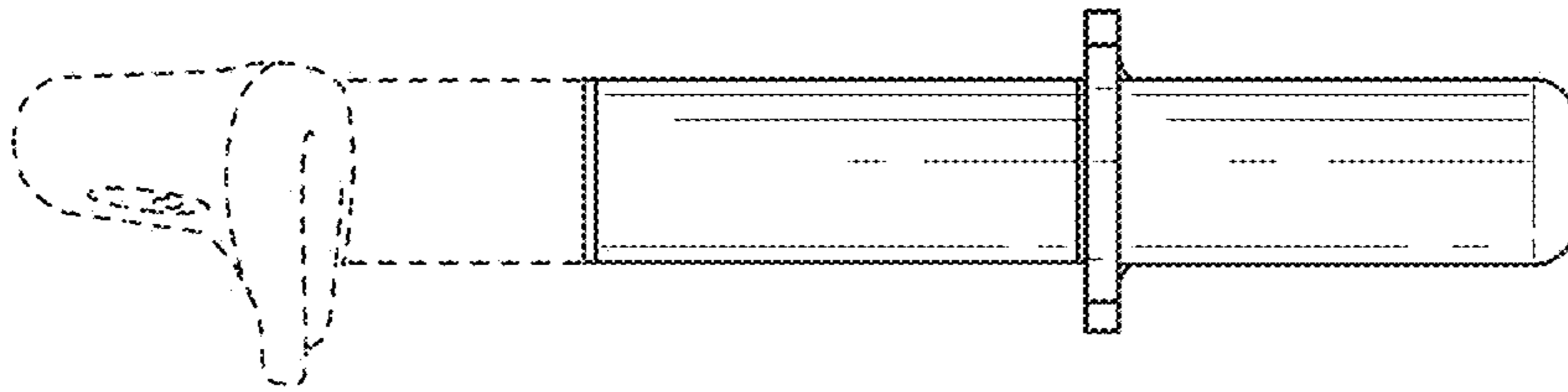


Fig. 7

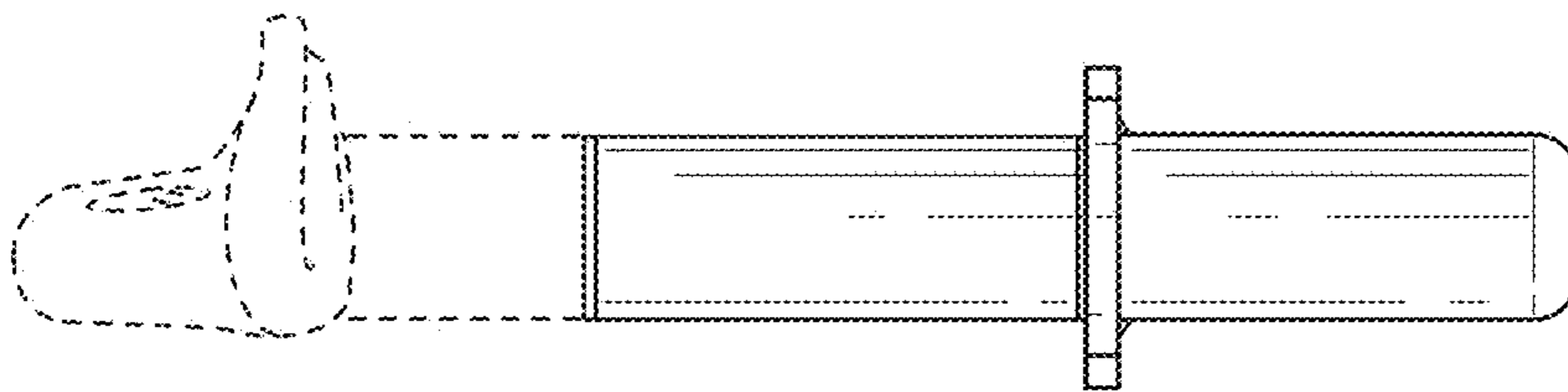


Fig. 6