

US00D727062S

(12) **United States Design Patent**
Ellis

(10) **Patent No.:** **US D727,062 S**
(45) **Date of Patent:** **** Apr. 21, 2015**

- (54) **DENTAL RACK AND DISPENSER**
- (71) Applicant: **Charmine Ellis**, Brooklyn, NY (US)
- (72) Inventor: **Charmine Ellis**, Brooklyn, NY (US)
- (**) Term: **14 Years**
- (21) Appl. No.: **29/495,497**
- (22) Filed: **Jul. 1, 2014**

D424,855 S *	5/2000	Murphy	D6/528
D481,572 S *	11/2003	Dretzka	D6/534
D538,091 S *	3/2007	Roth	D6/534
D648,162 S *	11/2011	Michnuk	D6/534
D667,248 S *	9/2012	Lawer	D6/534
D672,592 S *	12/2012	Legreca et al.	D6/534
D676,695 S *	2/2013	Dinh	D6/518

* cited by examiner

Primary Examiner — Brian N Vinson
(74) *Attorney, Agent, or Firm* — Maier & Maier, PLLC

Related U.S. Application Data

- (63) Continuation of application No. 29/469,592, filed on Oct. 11, 2013.
- (51) **LOC (10) Cl.** **23-02**
- (52) **U.S. Cl.**
USPC **D6/528**
- (58) **Field of Classification Search**
USPC D6/524, 528, 534; 206/349, 361, 362, 206/362.1, 362.2, 362.3; 211/13.1, 65
See application file for complete search history.

(57) **CLAIM**

The ornamental design for a dental rack and dispenser, as shown and described.

DESCRIPTION

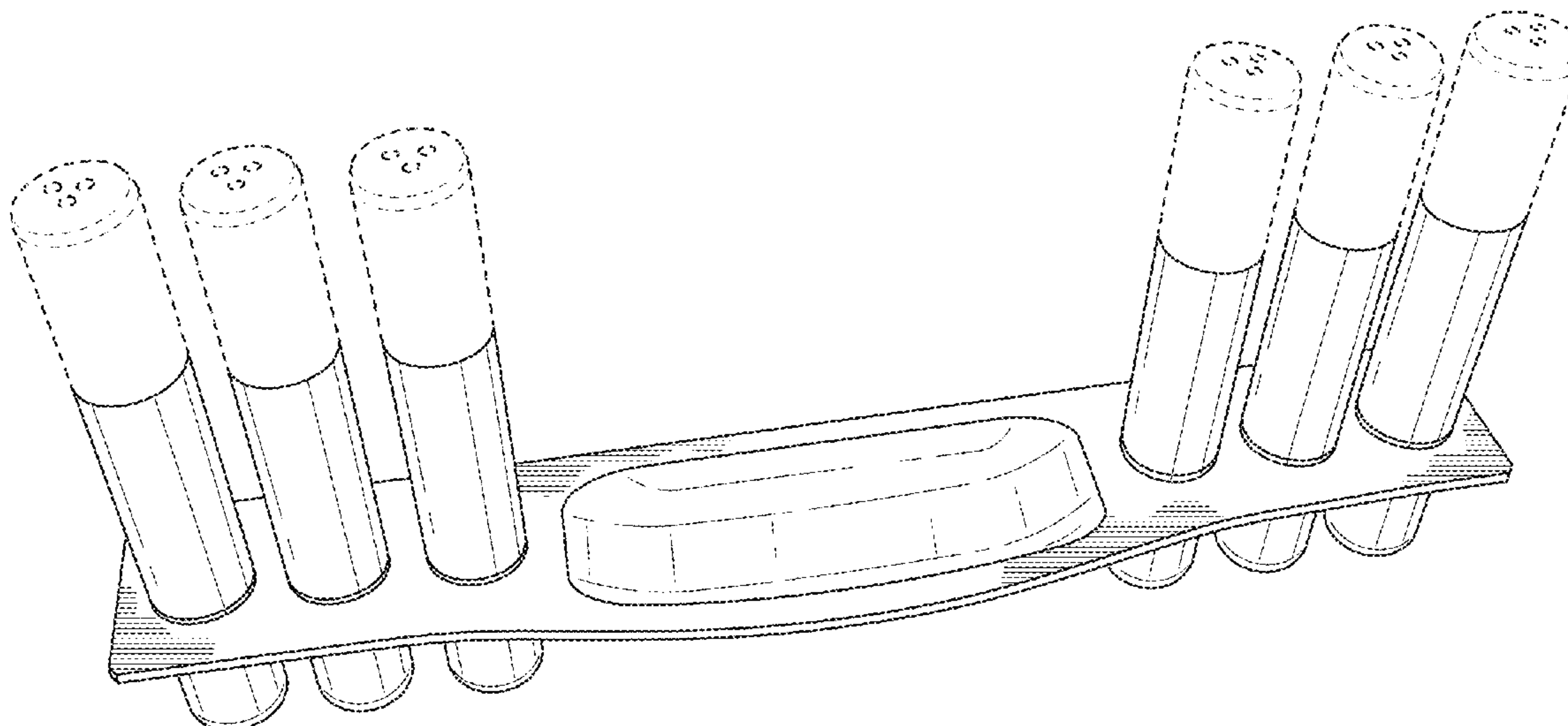
FIG. 1 is a top front perspective view of a dental rack and dispenser, showing my design;
 FIG. 2 is a front elevation view thereof;
 FIG. 3 is a top plan view thereof;
 FIG. 4 is a rear elevation view thereof;
 FIG. 5 is a bottom plan view thereof;
 FIG. 6 is a left end elevation view thereof; and,
 FIG. 7 is a right end elevation view thereof.
 The broken line showing in the Figures illustrates portions of the dental rack and dispenser and forms no part of the claimed design.

(56) **References Cited**

U.S. PATENT DOCUMENTS

D241,591 S *	9/1976	Fentules	D6/534
4,973,018 A *	11/1990	Agor	D6/528
D356,227 S *	3/1995	Hay	D6/528
D389,686 S *	1/1998	Drage	D6/528
5,730,302 A *	3/1998	Groene	D6/534

1 Claim, 4 Drawing Sheets



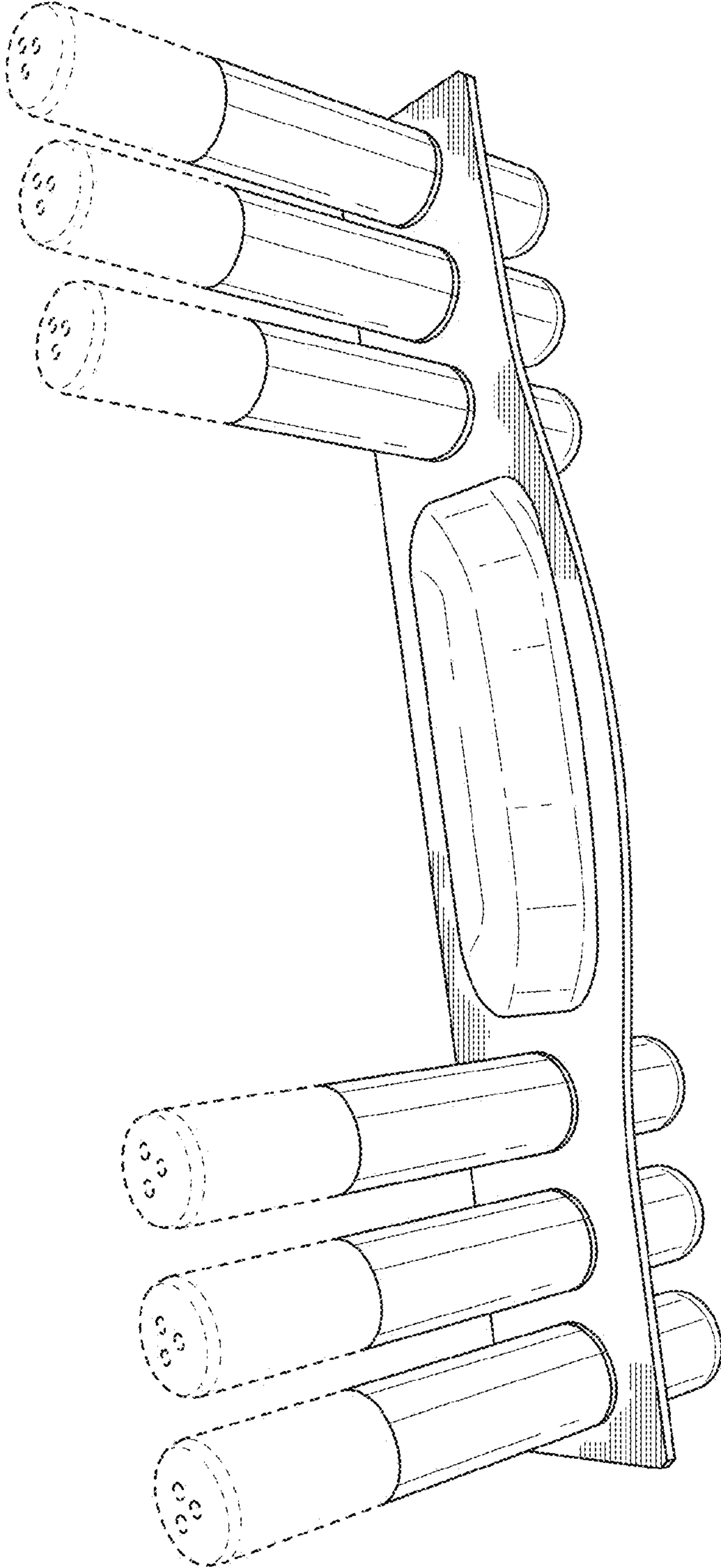


FIG. 1

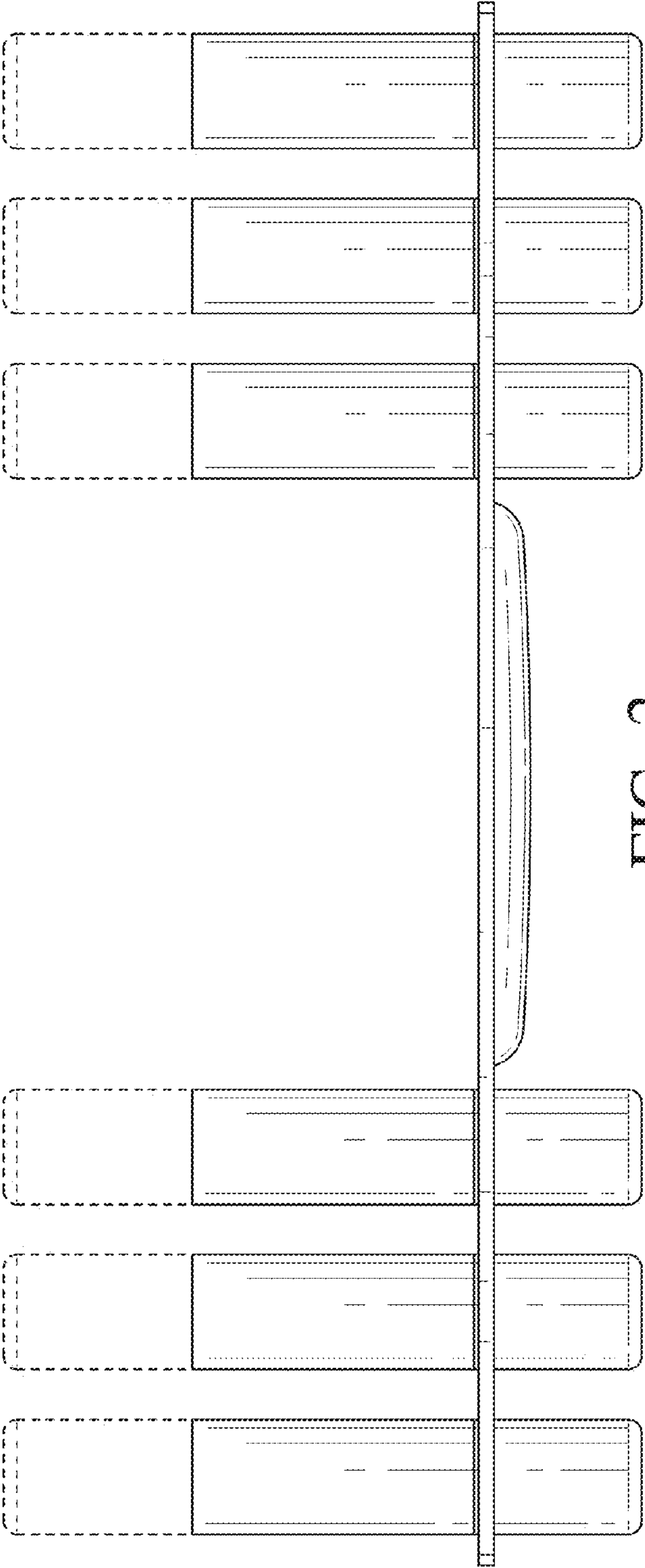


FIG. 2

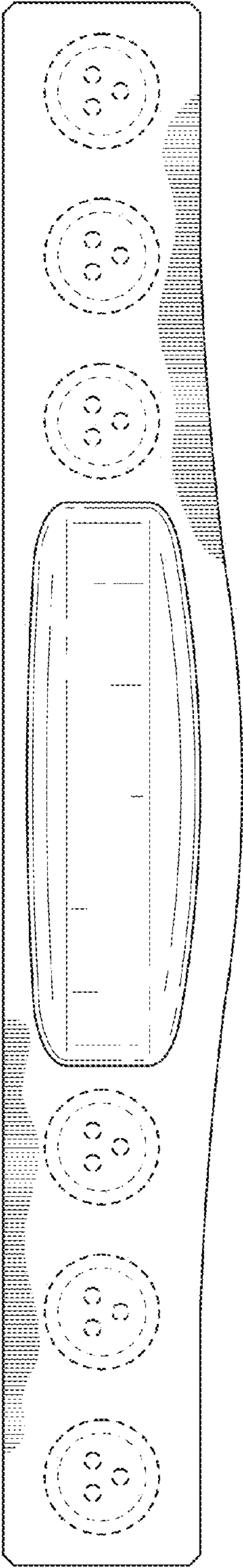


FIG. 3

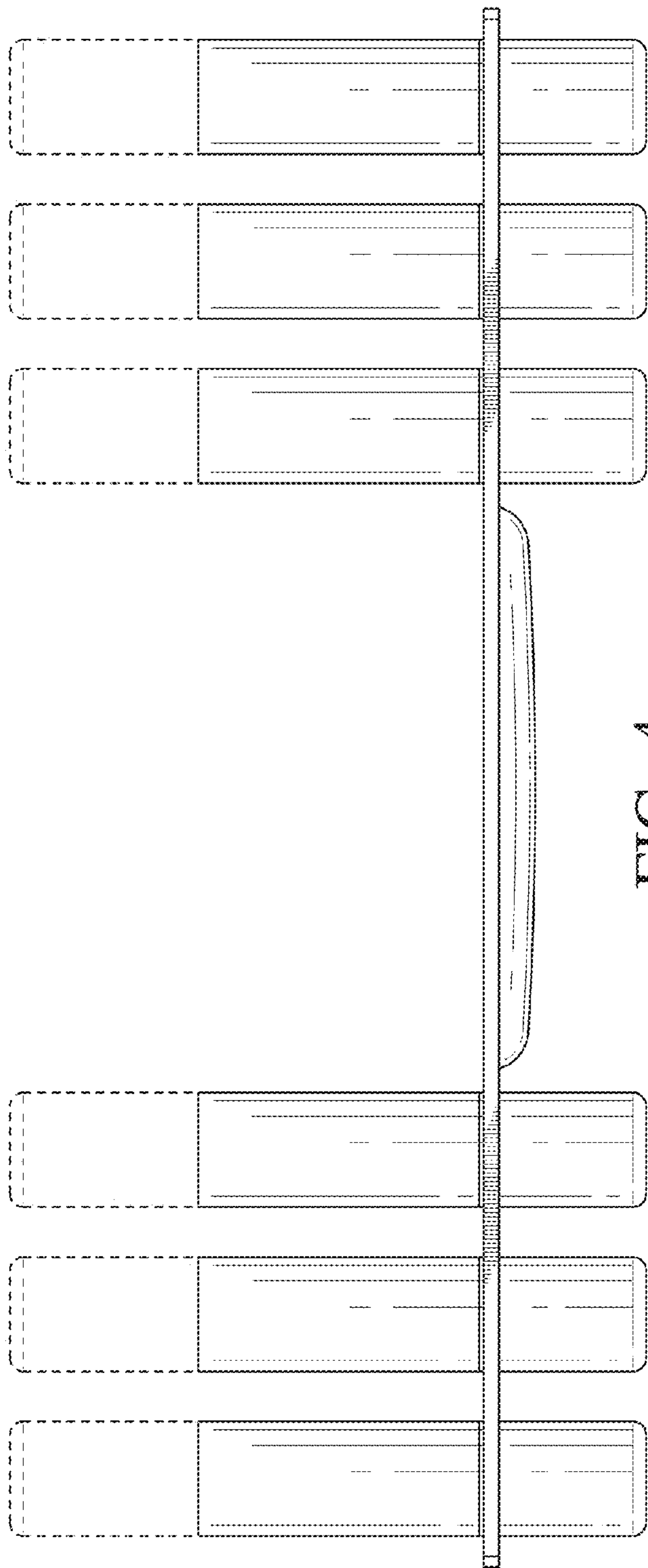


FIG. 4

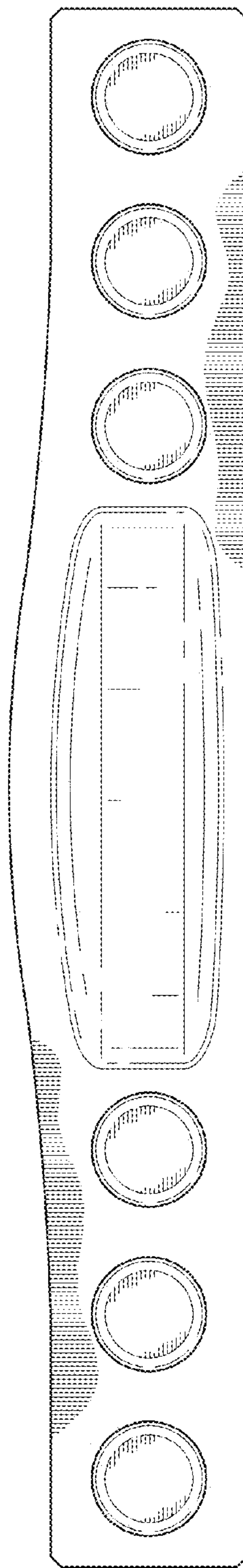


FIG. 5

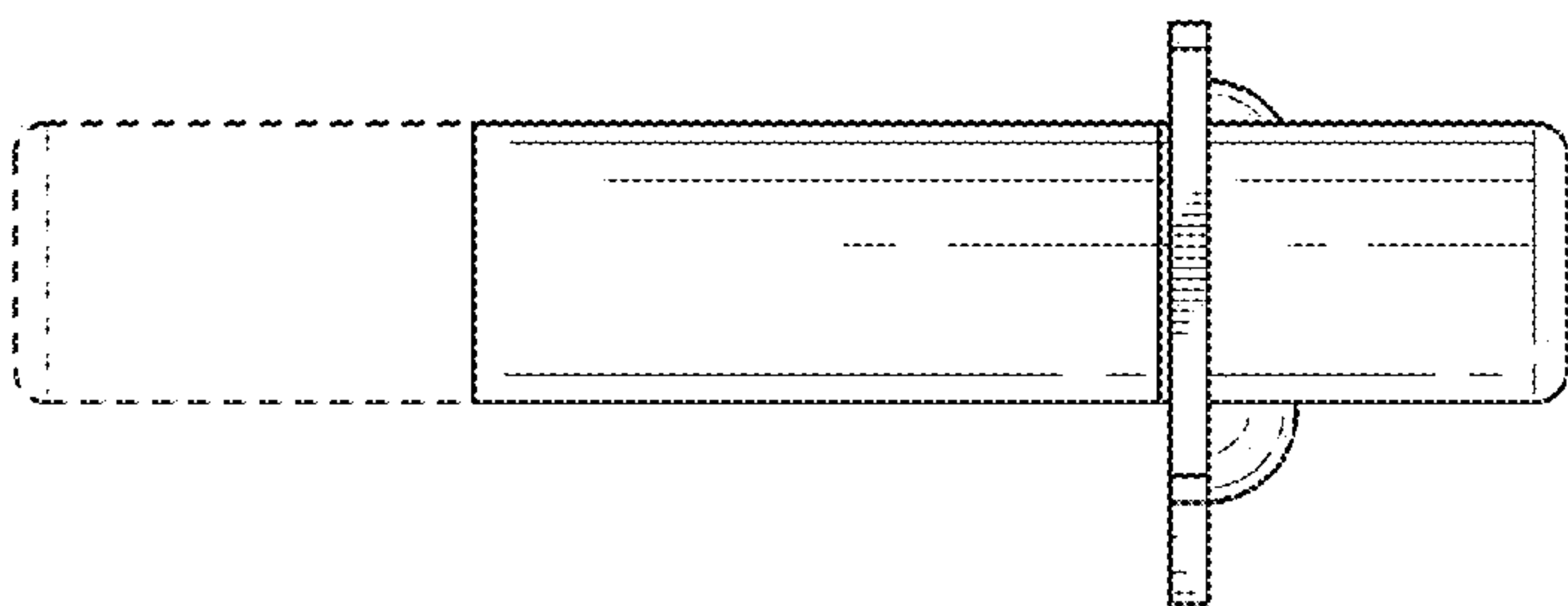


FIG. 6

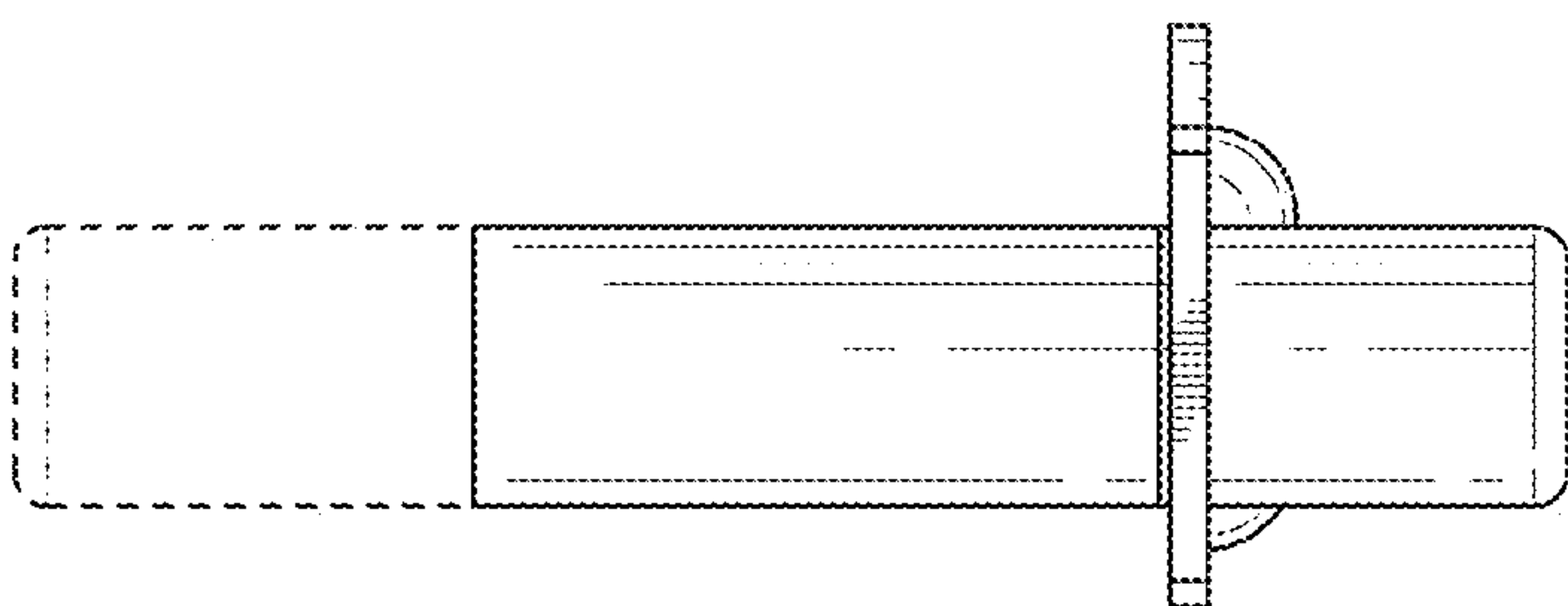


FIG. 7

UNITED STATES PATENT AND TRADEMARK OFFICE
CERTIFICATE OF CORRECTION

PATENT NO. : D727,062 S
APPLICATION NO. : 29/495497
DATED : April 21, 2015
INVENTOR(S) : Charmine Ellis

Page 1 of 1

It is certified that error appears in the above-identified patent and that said Letters Patent is hereby corrected as shown below:

On the title page item (63), col. 1, line 1, after Continuation of application No., delete "29/469,592",
and insert --29/469,562--.

Signed and Sealed this
Twenty-second Day of December, 2015



Michelle K. Lee
Director of the United States Patent and Trademark Office