



US00D727061S

(12) **United States Design Patent**  
**Ellis**

(10) **Patent No.:** **US D727,061 S**  
(45) **Date of Patent:** **\*\* Apr. 21, 2015**

- (54) **DENTAL RACK AND DISPENSER**
- (71) Applicant: **Charmine Ellis**, Brooklyn, NY (US)
- (72) Inventor: **Charmine Ellis**, Brooklyn, NY (US)
- (\*\*) Term: **14 Years**
- (21) Appl. No.: **29/495,485**
- (22) Filed: **Jul. 1, 2014**

D424,855 S *	5/2000	Murphy	.....	D6/528
D481,572 S *	11/2003	Dretzka	.....	D6/534
D538,091 S *	3/2007	Roth	.....	D6/534
D648,162 S *	11/2011	Michnuk	.....	D6/534
D667,248 S *	9/2012	Lawer	.....	D6/534
D672,592 S *	12/2012	Legreca et al.	.....	D6/534
D676,695 S *	2/2013	Dinh	.....	D6/518

\* cited by examiner

*Primary Examiner* — Brian N Vinson  
(74) *Attorney, Agent, or Firm* — Maier & Maier, PLLC

**Related U.S. Application Data**

- (62) Division of application No. 29/469,562, filed on Oct. 11, 2013, now Pat. No. Des. 711,154.
- (51) **LOC (10) Cl.** ..... **23-02**
- (52) **U.S. Cl.**  
USPC ..... **D6/528**
- (58) **Field of Classification Search**  
USPC ..... D6/524, 528, 534; 206/349, 361, 362, 206/362.1, 362.2, 362.3; 211/13.1, 65  
See application file for complete search history.

(57) **CLAIM**

The ornamental design for a dental rack and dispenser, as shown and described.

**DESCRIPTION**

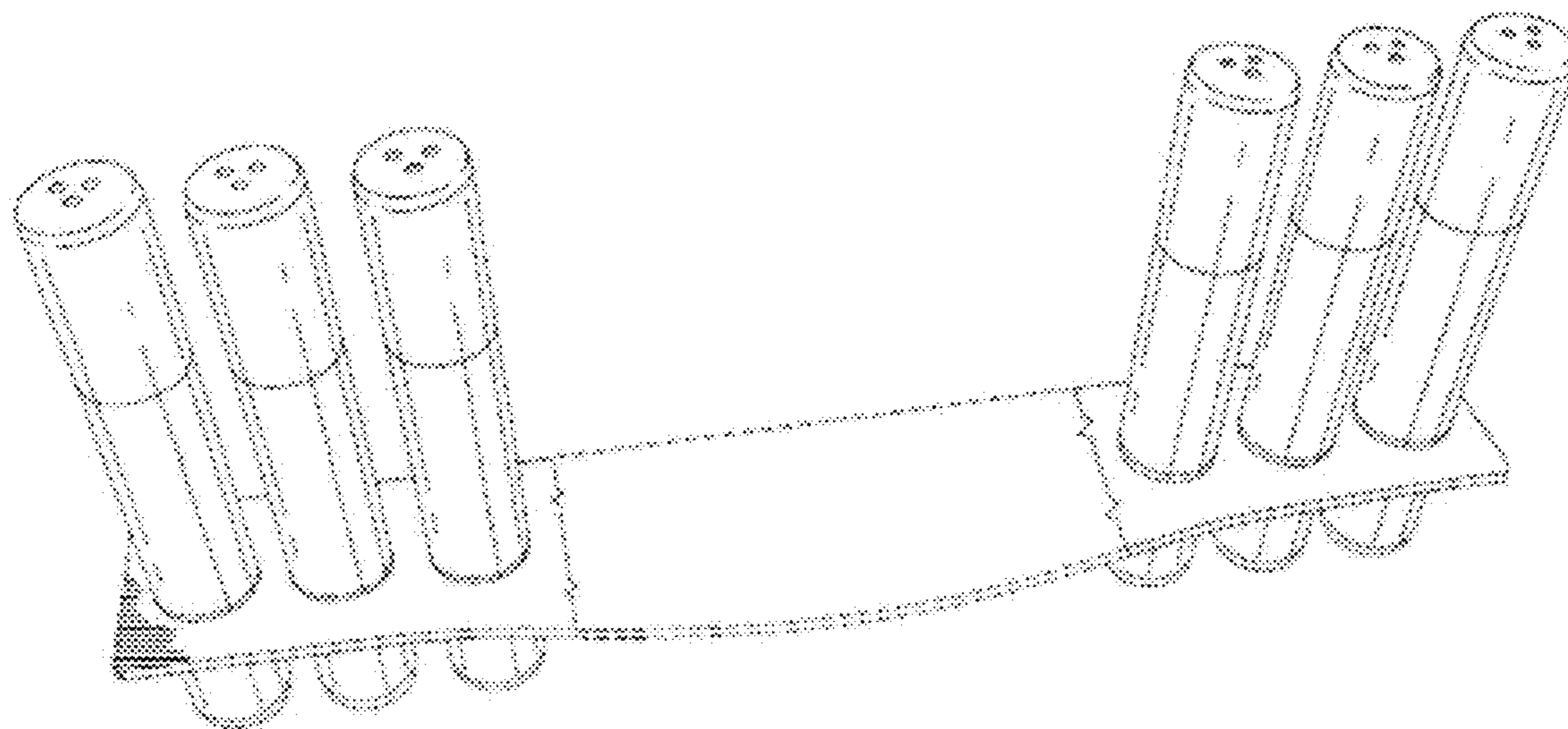
FIG. 1 is a top and front perspective view of a dental rack and dispenser showing my new design;  
 FIG. 2 is a front elevational view thereof;  
 FIG. 3 is a top plan view thereof;  
 FIG. 4 is a rear elevational view thereof;  
 FIG. 5 is a bottom plan view thereof;  
 FIG. 6 is a left side elevational view thereof; and,  
 FIG. 7 is a right side elevational view thereof.  
 The portion of the article disclosed between the edges shown broken-away and bordered by broken lines forms no part of the claimed design.

(56) **References Cited**

**U.S. PATENT DOCUMENTS**

D241,591 S *	9/1976	Fentules	.....	D6/534
4,973,018 A *	11/1990	Agor	.....	D6/528
D356,227 S *	3/1995	Hay	.....	D6/528
D389,686 S *	1/1998	Drage	.....	D6/528
5,730,302 A *	3/1998	Groene	.....	D6/534

**1 Claim, 4 Drawing Sheets**



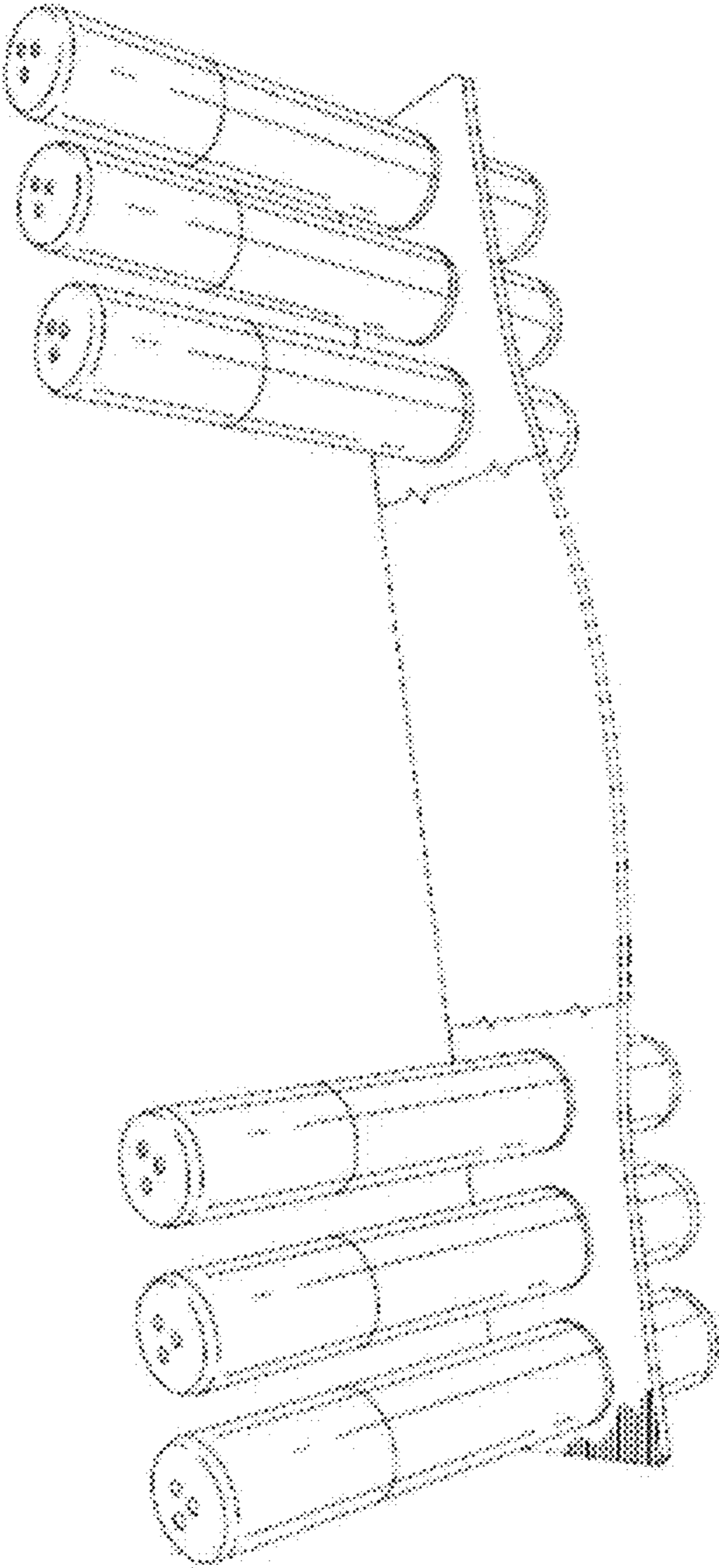


FIG. 1

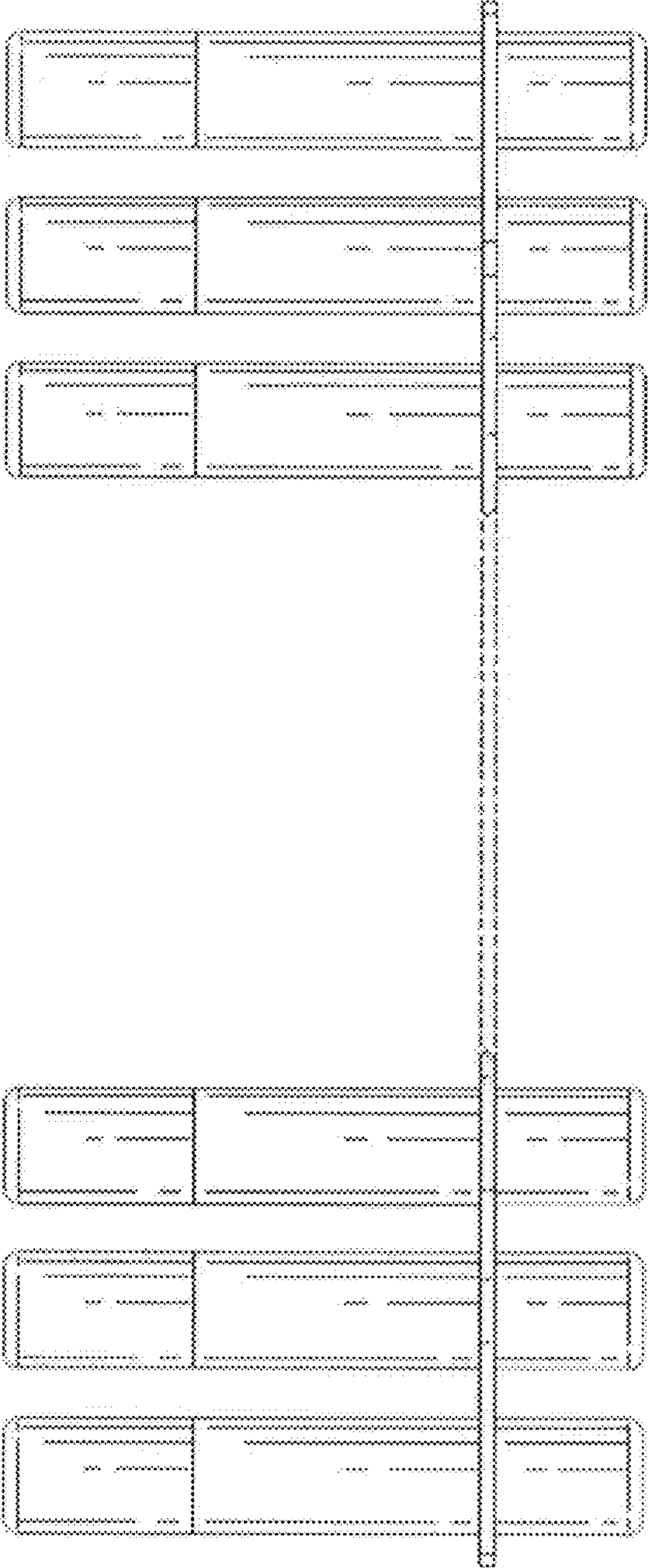


FIG. 2

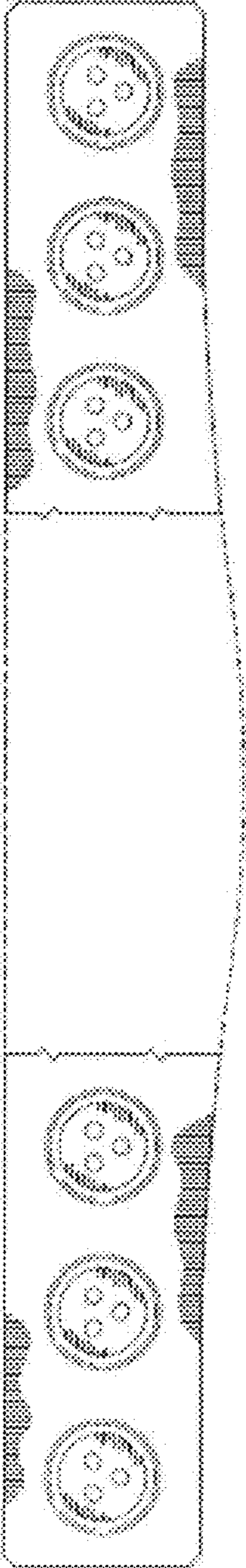


FIG. 3

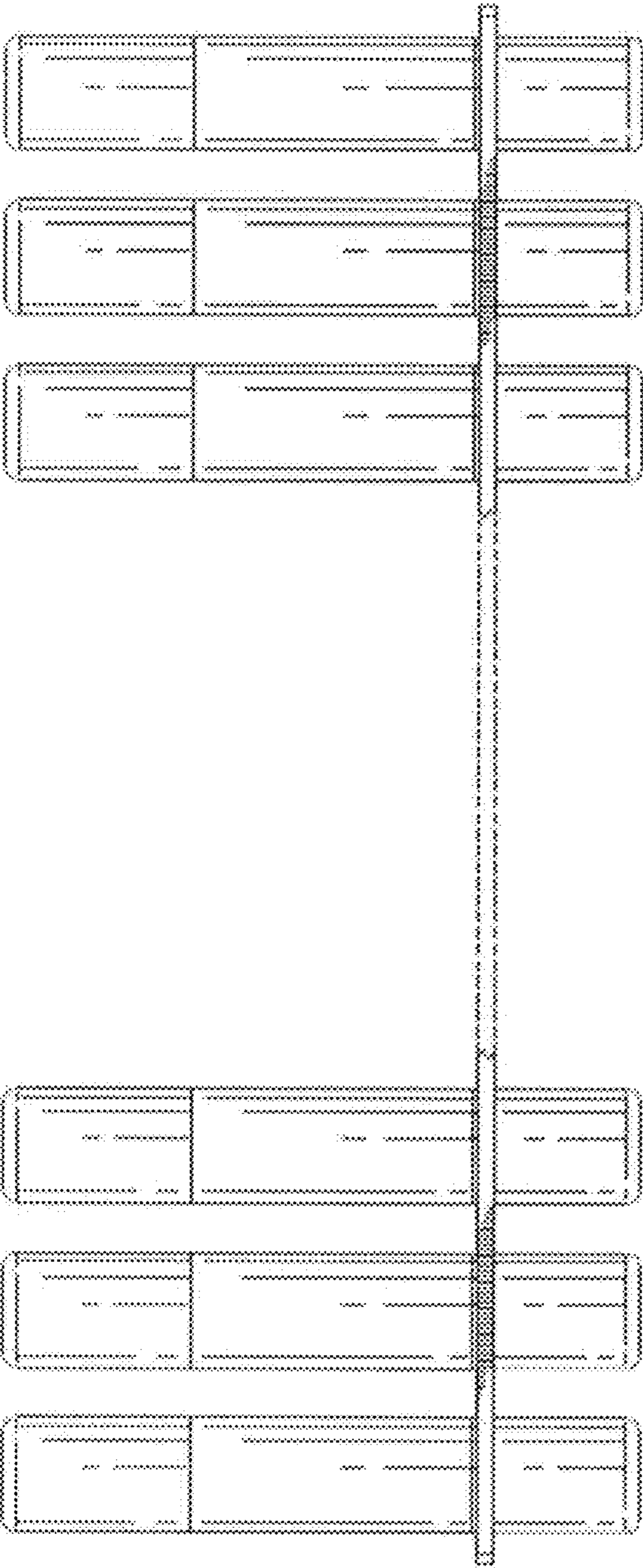


FIG. 4



FIG. 5

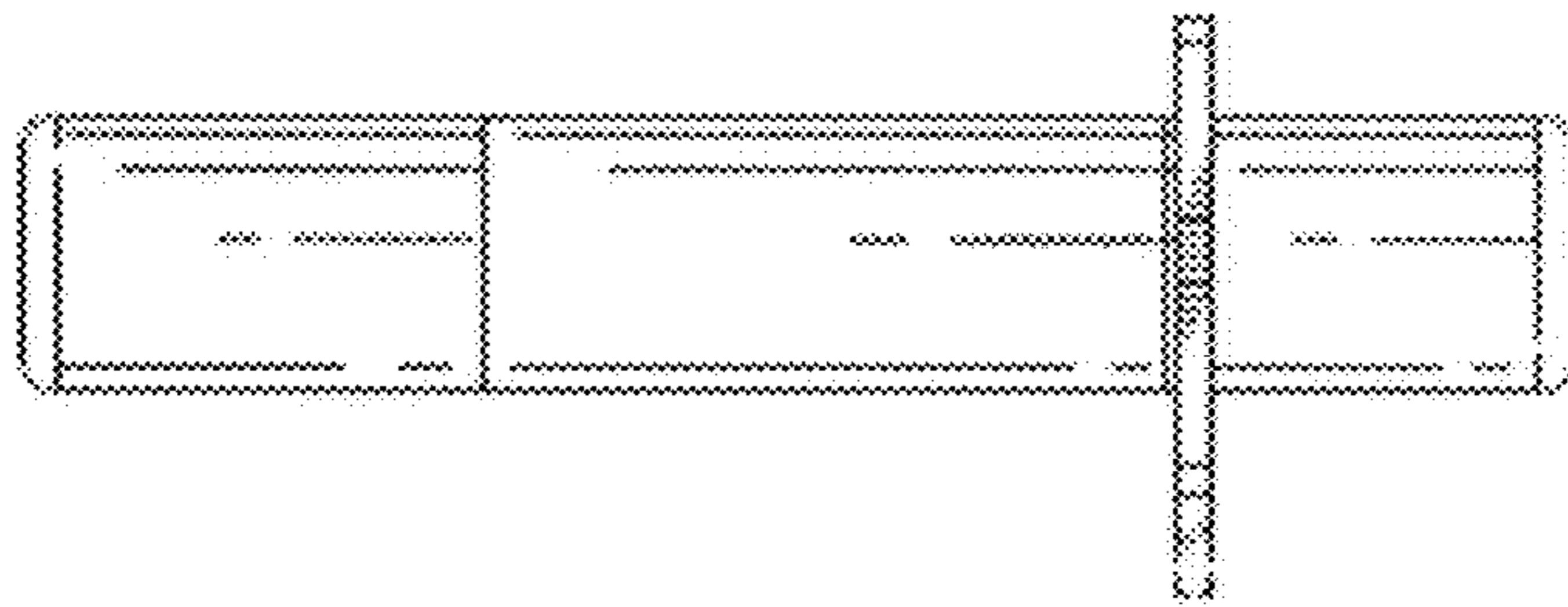


FIG. 7

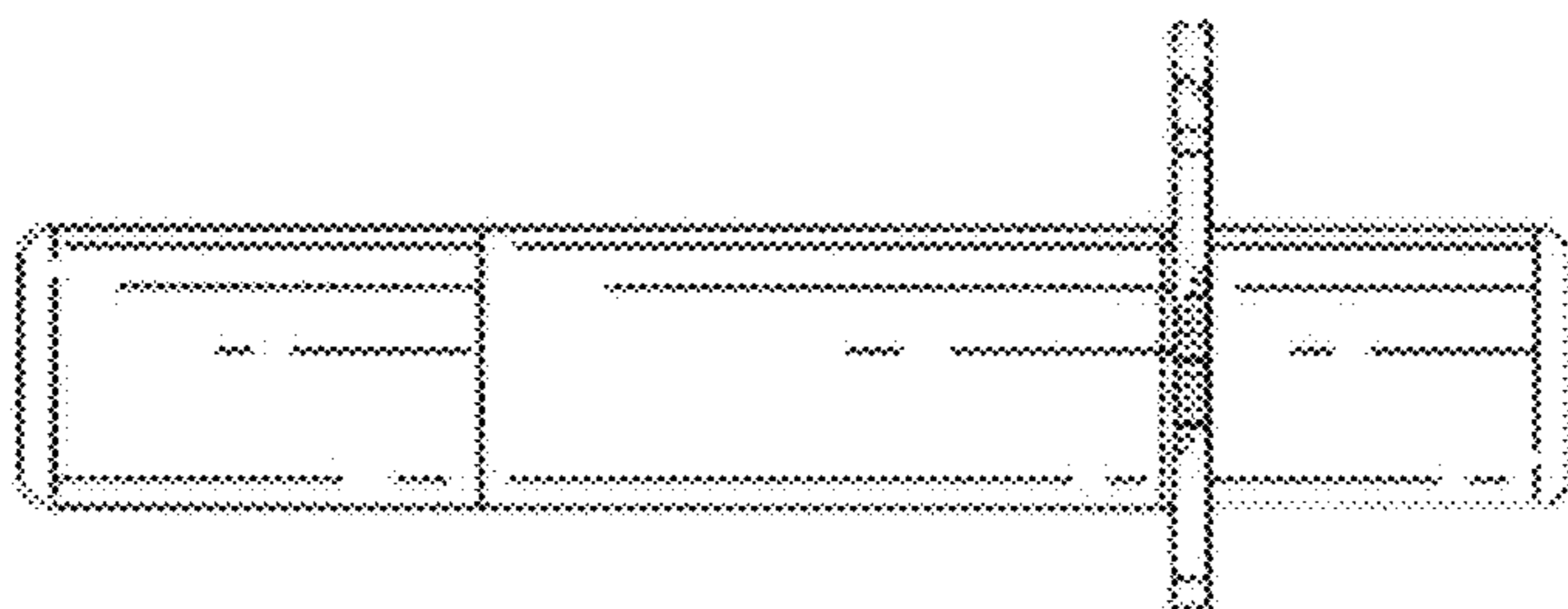


FIG. 6