

US00D727060S

(12) **United States Design Patent**  
**Yang et al.**

(10) **Patent No.:** **US D727,060 S**  
(45) **Date of Patent:** **\*\* Apr. 21, 2015**

(54) **SHELVING SYSTEM**  
(71) Applicant: **simplehuman, LLC**, Torrance, CA (US)  
(72) Inventors: **Frank Yang**, Rancho Palos Verdes, CA (US); **Di-Fong Chang**, Torrance, CA (US); **Myk Lum**, Irvine, CA (US); **Adam Wade**, Rancho Santa Margarita, CA (US); **Helen Miller**, Diamond Bar, CA (US); **Ken Sugimoto**, Irvine, CA (US)

618,425 A 1/1899 Manger  
626,739 A 6/1899 Vanderman  
644,080 A 2/1900 Huebel  
661,755 A 11/1900 Thurstensen  
839,339 A 12/1906 Tuttle  
841,866 A 1/1907 Hollis  
845,917 A 3/1907 Worley  
913,955 A 3/1909 Hansen  
970,485 A 9/1910 Frey  
1,026,149 A 5/1912 Crane  
1,071,428 A 8/1913 Jones

(Continued)

(73) Assignee: **simplehuman, LLC**, Torrance, CA (US)

**FOREIGN PATENT DOCUMENTS**

(\*\*) Term: **14 Years**

CA 132180 7/2010  
CA 135666 3/2011

(21) Appl. No.: **29/484,765**

(Continued)

(22) Filed: **Mar. 12, 2014**

**OTHER PUBLICATIONS**

(51) **LOC (10) Cl.** ..... **23-02**

U.S. Appl. No. 29/357,566, filed Mar. 12, 2010, Yang et al.

(52) **U.S. Cl.**

(Continued)

USPC ..... **D6/525**

(58) **Field of Classification Search**

USPC ..... D6/524, 525, 566, 536, 540, 567, 570;  
211/13.1, 74, 71.01, 86.01, 75, 88.01,  
211/90.01, 90.03, 106, 119, 126.1, 133.5,  
211/181.1, 134

*Primary Examiner* — Brian N Vinson

(74) *Attorney, Agent, or Firm* — Knobbe, Martens, Olson & Bear, LLP

See application file for complete search history.

(57)

**CLAIM**

The ornamental design for a shelving system, as shown and described.

(56) **References Cited**

**DESCRIPTION**

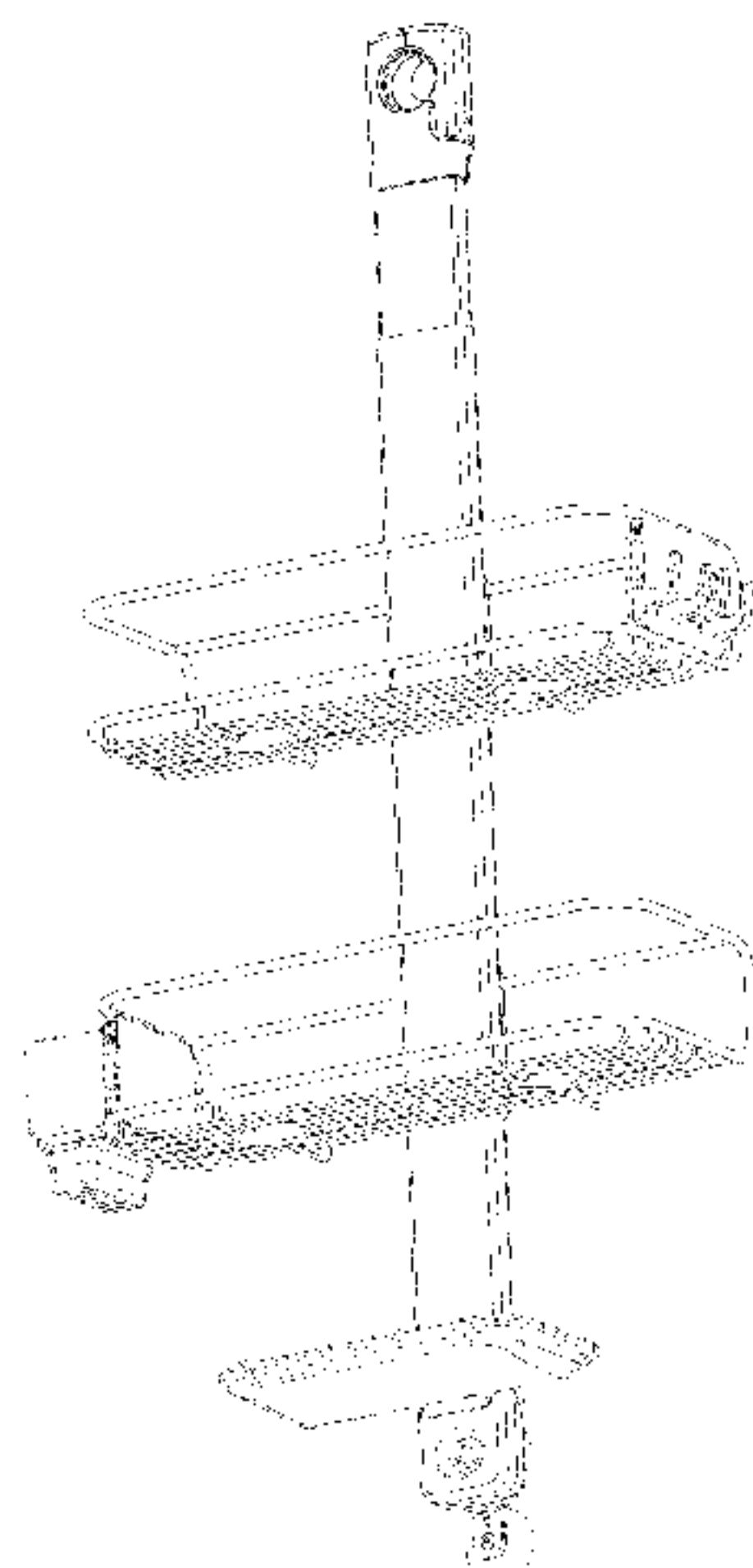
**U.S. PATENT DOCUMENTS**

141,186 A 7/1873 Thomas  
163,852 A 6/1875 Denman  
181,593 A 8/1876 Randall  
387,758 A 8/1888 Barnhart  
397,558 A 2/1889 Lumley  
434,708 A 8/1890 Grier  
475,020 A 5/1892 Perry  
477,291 A 6/1892 Bomar  
496,961 A 5/1893 Trude  
527,273 A 10/1894 Fowler  
536,272 A 3/1895 Edsall  
543,935 A 8/1895 Hostler  
612,061 A 10/1898 Shambaugh  
613,231 A 11/1898 Bennett

FIG. 1 is a bottom, front, left-side perspective view of a shelving system embodying our design; FIG. 2 is a front elevation view thereof; FIG. 3 is a rear elevation view thereof; FIG. 4 is a right-side elevation view thereof; FIG. 5 is a left-side elevation view thereof; FIG. 6 is a top plan view thereof; and, FIG. 7 is a bottom plan view thereof.

All features in phantom line form no part of the claimed subject matter.

**1 Claim, 7 Drawing Sheets**



(56)

## References Cited

## U.S. PATENT DOCUMENTS

1,254,094 A	1/1918	Vogt	4,232,790 A	11/1980	Serrano
1,446,036 A	2/1923	Willaim	4,274,400 A	6/1981	Baus
1,478,339 A	12/1923	Wade	4,310,193 A	1/1982	Kolleas
1,511,704 A	10/1924	Buck	4,360,283 A	11/1982	Psotta
1,554,137 A	9/1925	Slifkin	4,387,811 A	6/1983	Ragir et al.
1,582,762 A	4/1926	Klock	4,415,091 A	11/1983	Wolff
1,639,551 A	8/1927	Booth	4,428,488 A	1/1984	McAvinn et al.
1,931,321 A	10/1933	Keil	4,437,450 A	3/1984	Connelly
2,012,452 A	8/1935	Littell	D273,645 S	5/1984	McEvers
2,042,517 A	6/1936	Ellis	D274,201 S	6/1984	Aaron
2,157,309 A	5/1939	Swedman et al.	4,511,047 A	4/1985	Elinsky
2,199,851 A	5/1940	Freeman	4,541,131 A	9/1985	Sussman
2,254,770 A	9/1941	Bitney	4,559,879 A	12/1985	Hausser
2,513,889 A	7/1950	Nilsson	D286,599 S	11/1986	Sussman
2,675,782 A	4/1954	Lage et al.	D289,353 S	4/1987	Davis et al.
2,677,519 A	5/1954	Hobson	4,664,428 A	5/1987	Bridges
2,746,661 A	5/1956	Kaplan	4,761,092 A	8/1988	Nakatani
2,788,902 A	4/1957	Nowicki	4,771,897 A	9/1988	Ho
2,837,219 A	6/1958	Ferdinand et al.	4,771,899 A	9/1988	Benedict et al.
2,923,415 A	2/1960	Brown	4,776,471 A	10/1988	Elkins
2,923,428 A	2/1960	Averill	4,786,022 A	11/1988	Grieshaber
2,928,512 A	3/1960	Slater et al.	4,805,784 A	2/1989	Solheim et al.
2,932,873 A	4/1960	Reichert	4,860,909 A	8/1989	Leumi
2,936,146 A	5/1960	Wunder	4,865,283 A	9/1989	Parker
2,937,766 A	5/1960	Penn	4,869,378 A	9/1989	Miller
2,941,669 A	6/1960	Palay et al.	4,869,379 A	9/1989	Hawkrige
D188,332 S	7/1960	Salen	4,883,399 A	11/1989	MacLean
D189,722 S	2/1961	Wolf	4,895,331 A	1/1990	Nehls
2,976,003 A	3/1961	Foster	4,909,467 A	3/1990	Shan-Pao
2,977,953 A	4/1961	Dowdy	D314,294 S	2/1991	Axhamre
3,035,708 A	5/1962	Freeman	4,998,647 A	3/1991	Sharp
3,043,440 A	7/1962	Berlin	5,014,860 A	5/1991	Emery
3,059,374 A	10/1962	Bernay	5,023,755 A	6/1991	Rosenberg
3,088,598 A	5/1963	Werneke	5,127,528 A	7/1992	Cone
D195,412 S	6/1963	Vernik	5,160,101 A	11/1992	Ferraro et al.
3,111,723 A	11/1963	Bates	5,180,067 A	1/1993	Conaway et al.
3,115,107 A	12/1963	Glenny	5,190,170 A	3/1993	Steiner
3,119,496 A	1/1964	Burk	5,192,427 A	3/1993	Eger et al.
3,124,253 A	3/1964	Pelrich et al.	5,197,614 A	3/1993	Dalton et al.
3,132,609 A	5/1964	Chesley	5,255,401 A	10/1993	Sambrookes et al.
3,138,260 A	6/1964	Tedrick	5,284,260 A	2/1994	Caligiuri, Sr.
3,181,923 A	5/1965	Guillon et al.	5,307,797 A	5/1994	Kleefeld
3,239,182 A	3/1966	Blanz	5,318,175 A	6/1994	Stevens
3,266,764 A	8/1966	Briles	D351,751 S	10/1994	Brightbill et al.
3,307,710 A	3/1967	Negri	5,355,867 A	10/1994	Hall et al.
3,319,983 A	5/1967	Zibell	5,429,252 A	7/1995	Liu
3,343,685 A	9/1967	Giambalvo	5,462,178 A	10/1995	Wallach et al.
3,471,031 A	10/1969	Coplan	5,483,761 A	1/1996	Simpson
3,533,583 A	10/1970	Azim	5,505,318 A	4/1996	Goff
3,593,857 A	7/1971	Hernes	5,524,772 A	6/1996	Simmons
D222,276 S	10/1971	Hughes	5,527,273 A	6/1996	Manna et al.
3,641,922 A	2/1972	Nachazel et al.	5,588,543 A	12/1996	Finger
3,661,121 A	5/1972	Zielin	5,632,049 A	5/1997	Chen
3,695,455 A	10/1972	Larson	D382,733 S	8/1997	Goetz
3,710,096 A	1/1973	McFarlin	5,666,940 A	9/1997	Kreiter
3,787,078 A	1/1974	Williams	5,692,817 A	12/1997	Jun et al.
3,789,996 A	2/1974	Stroh	5,697,508 A	12/1997	Rifkin et al.
3,791,091 A	2/1974	Albrizzi	5,702,010 A	12/1997	Liang
3,807,574 A	4/1974	Lanza	D388,642 S	1/1998	Winter
3,854,686 A	12/1974	Konstant	5,735,413 A	4/1998	Allen
3,894,707 A	7/1975	Heard	5,772,048 A	6/1998	Sopcisak
3,907,119 A	9/1975	Franz	5,772,050 A	6/1998	Shih
3,923,162 A	12/1975	Hussey	D396,379 S	7/1998	Stoetzl
D239,579 S	4/1976	Taub	D396,585 S	8/1998	Hofman
3,954,182 A	5/1976	McEvers	5,833,192 A	11/1998	Buhrman
3,983,823 A	10/1976	McDonnell	D402,145 S	12/1998	Hofman et al.
3,998,334 A	12/1976	Smith	5,855,184 A	1/1999	Eichler et al.
4,018,019 A	4/1977	Raith et al.	5,855,286 A	1/1999	Zaid
4,033,539 A	7/1977	Bardocz	5,897,002 A	4/1999	Carlino
4,059,915 A	11/1977	Owens	5,899,423 A	5/1999	Albertini
4,096,951 A	6/1978	Menssen	5,934,636 A	8/1999	Cyrell
4,106,736 A	8/1978	Becker, III et al.	5,941,397 A	8/1999	Buchanan et al.
4,154,356 A	5/1979	Schieve	5,984,114 A	11/1999	Frankel
4,192,426 A	3/1980	Gauthier	D417,991 S	12/1999	Hofman et al.
4,215,840 A	8/1980	Babberl	D419,020 S	1/2000	Emery et al.
			6,017,009 A	1/2000	Swartz et al.
			D421,692 S	3/2000	Wojtowicz et al.
			D421,867 S	3/2000	Carville et al.
			6,050,426 A	4/2000	Leurdijk



(56)

References Cited

U.S. PATENT DOCUMENTS

D424,355 S 5/2000 Barton  
 6,065,618 A 5/2000 Stetler  
 D427,469 S 7/2000 Thurston-Chartraw et al.  
 D429,934 S 8/2000 Hofman  
 6,113,042 A 9/2000 Welsch et al.  
 6,119,878 A 9/2000 Zen  
 6,123,303 A 9/2000 Huang  
 6,135,668 A 10/2000 Lin  
 6,152,312 A 11/2000 Nava et al.  
 6,206,206 B1 3/2001 Saylor et al.  
 6,233,877 B1 5/2001 Monroe  
 D443,162 S 6/2001 Winter  
 D444,333 S 7/2001 Ferrer Beltran  
 D446,670 S 8/2001 Emery et al.  
 6,302,036 B1 10/2001 Carson et al.  
 6,302,280 B1 10/2001 Bermes  
 6,311,856 B2 11/2001 Battaglia et al.  
 6,318,572 B1 11/2001 Lai  
 6,347,777 B1 2/2002 Webber et al.  
 6,378,709 B1 4/2002 Stuart  
 6,394,404 B1 5/2002 Cyrell  
 6,409,029 B1 6/2002 Bermes  
 D462,552 S 9/2002 Emery et al.  
 6,481,586 B1 11/2002 Hoff  
 6,494,327 B2 12/2002 Huang  
 6,502,794 B1 1/2003 Ting  
 D470,703 S 2/2003 Hoernig  
 6,520,351 B1 2/2003 Zadro  
 6,527,473 B2 3/2003 Chen  
 D473,411 S 4/2003 Walker  
 6,540,430 B2 4/2003 Hsu  
 6,550,739 B1 4/2003 Brindisi  
 6,551,226 B1 4/2003 Webber et al.  
 D475,560 S 6/2003 Suero, Jr.  
 D475,561 S 6/2003 Suero, Jr.  
 6,575,315 B2 6/2003 Zidek  
 6,581,790 B1 6/2003 Zadro  
 6,591,996 B1 7/2003 Wu  
 6,619,164 B1 9/2003 Ricci et al.  
 6,648,152 B2 11/2003 Bermes  
 D483,251 S 12/2003 Suero, Jr.  
 6,688,238 B1 2/2004 Alexiou  
 6,726,034 B2 4/2004 Holbrook et al.  
 D489,207 S 5/2004 Rosen  
 D492,188 S 6/2004 Goldberg  
 6,758,355 B2 7/2004 Zidek  
 D493,991 S 8/2004 Dretzka  
 6,824,000 B2 11/2004 Samelson  
 6,824,225 B2 11/2004 Stiffler  
 6,848,144 B1 2/2005 McDonald  
 6,871,748 B2 3/2005 Suttles  
 6,918,498 B2 7/2005 Sparkowski  
 D509,361 S 9/2005 Suero, Jr.  
 6,957,794 B2 10/2005 Landreville et al.  
 D512,861 S 12/2005 Rosen  
 6,983,853 B1 1/2006 Fickett  
 D516,901 S 3/2006 Murray  
 7,021,814 B2 4/2006 Berardi  
 7,059,271 B2 6/2006 Santa Cruz et al.  
 7,086,633 B2 8/2006 Welch et al.  
 D530,551 S 10/2006 Snell  
 D533,283 S 12/2006 Holztrager  
 D534,062 S 12/2006 van den Bosch  
 7,195,213 B2 3/2007 Weatherly  
 D543,747 S 6/2007 Harwanko  
 D544,786 S 6/2007 Barrese  
 7,229,059 B1 6/2007 Hood  
 D546,879 S 7/2007 Qiu  
 7,246,711 B1 7/2007 Metcalf  
 D552,393 S 10/2007 Rosen  
 D564,257 S 3/2008 Yang et al.  
 7,347,197 B2 3/2008 Hankinson  
 D566,991 S 4/2008 Harwanko  
 D568,657 S 5/2008 Snider

D568,658 S 5/2008 Yang et al.  
 D569,148 S 5/2008 Yang et al.  
 D572,060 S 7/2008 Snider  
 D572,502 S 7/2008 Yang et al.  
 D572,516 S 7/2008 Snider  
 D573,386 S 7/2008 Clucas  
 D573,387 S 7/2008 Walker  
 D573,822 S 7/2008 Yang et al.  
 7,398,790 B2 7/2008 Glatz  
 7,401,754 B2 7/2008 Welch et al.  
 D574,649 S 8/2008 Snider  
 D574,650 S 8/2008 Snider  
 7,407,060 B2 8/2008 Swartz et al.  
 D578,815 S 10/2008 Dominique et al.  
 D587,504 S 3/2009 Russell et al.  
 D589,728 S 4/2009 Shaha et al.  
 D598,688 S 8/2009 Yang et al.  
 7,591,385 B2 9/2009 Brooks  
 D622,990 S \* 9/2010 Yang et al. .... D6/525  
 D628,841 S 12/2010 Yang et al.  
 7,975,653 B2 7/2011 Cash  
 D651,837 S \* 1/2012 Yang et al. .... D6/525  
 D651,838 S 1/2012 Yang et al.  
 8,225,946 B2 7/2012 Yang et al.  
 8,408,405 B2 4/2013 Yang et al.  
 D683,165 S \* 5/2013 Yang et al. .... D6/525  
 8,474,632 B2 7/2013 Yang et al.  
 2001/0004064 A1 6/2001 Battaglia et al.  
 2002/0158033 A1 10/2002 Chen  
 2002/0172549 A1 11/2002 Koros et al.  
 2003/0000905 A1 1/2003 Zidek  
 2003/0132181 A1 7/2003 Saulnier-Matteini  
 2003/0136782 A1 7/2003 Dicello et al.  
 2003/0222191 A1 12/2003 Tsai  
 2004/0188577 A1 9/2004 Gaderick  
 2005/0040301 A1 2/2005 Walter  
 2005/0139562 A1 6/2005 Chen  
 2005/0205509 A1 9/2005 Flynn  
 2005/0205722 A1 9/2005 Krueger  
 2006/0038097 A1 2/2006 Diller  
 2006/0124812 A1 6/2006 Berardi  
 2006/0130381 A1 6/2006 Caterinacci  
 2006/0180561 A1 8/2006 Wisnoski et al.  
 2006/0261022 A1 11/2006 Sampaio  
 2007/0045208 A1 3/2007 Quan  
 2007/0194191 A1 8/2007 Persson  
 2007/0235611 A1 10/2007 Riblet  
 2007/0295681 A1 12/2007 Colin  
 2008/0053935 A1 3/2008 Newbould et al.  
 2008/0142669 A1 6/2008 Zlotocha  
 2009/0134290 A1 5/2009 Begic et al.  
 2009/0188880 A1 7/2009 Yang et al.  
 2010/0000449 A1 1/2010 Botkin  
 2011/0271438 A1 11/2011 Yang et al.  
 2013/0191987 A1 8/2013 Yang et al.

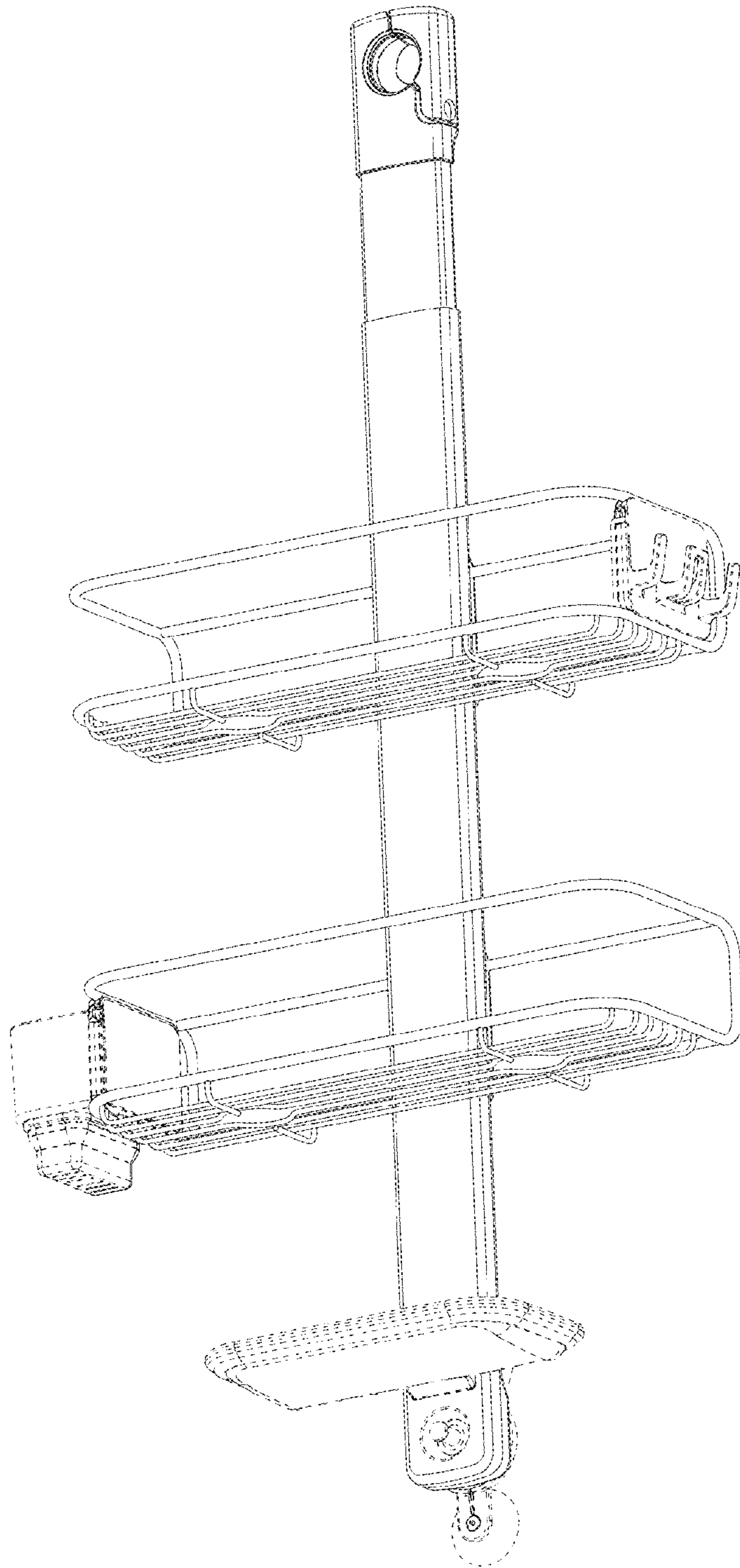
FOREIGN PATENT DOCUMENTS

CA 136936 3/2011  
 CA 136937 9/2011  
 CN 301523949 S 4/2011  
 CN 301642065 S 8/2011  
 CN 301735061 S 11/2011  
 EP 2191757 6/2010  
 EP 001217053 8/2010  
 EP 001232896 10/2010  
 EP 001232912 10/2010  
 FR 2549361 1/1985  
 JP D1136196 1/2002  
 KR 3020030000821 3/2003  
 WO WO 2009/097298 8/2009

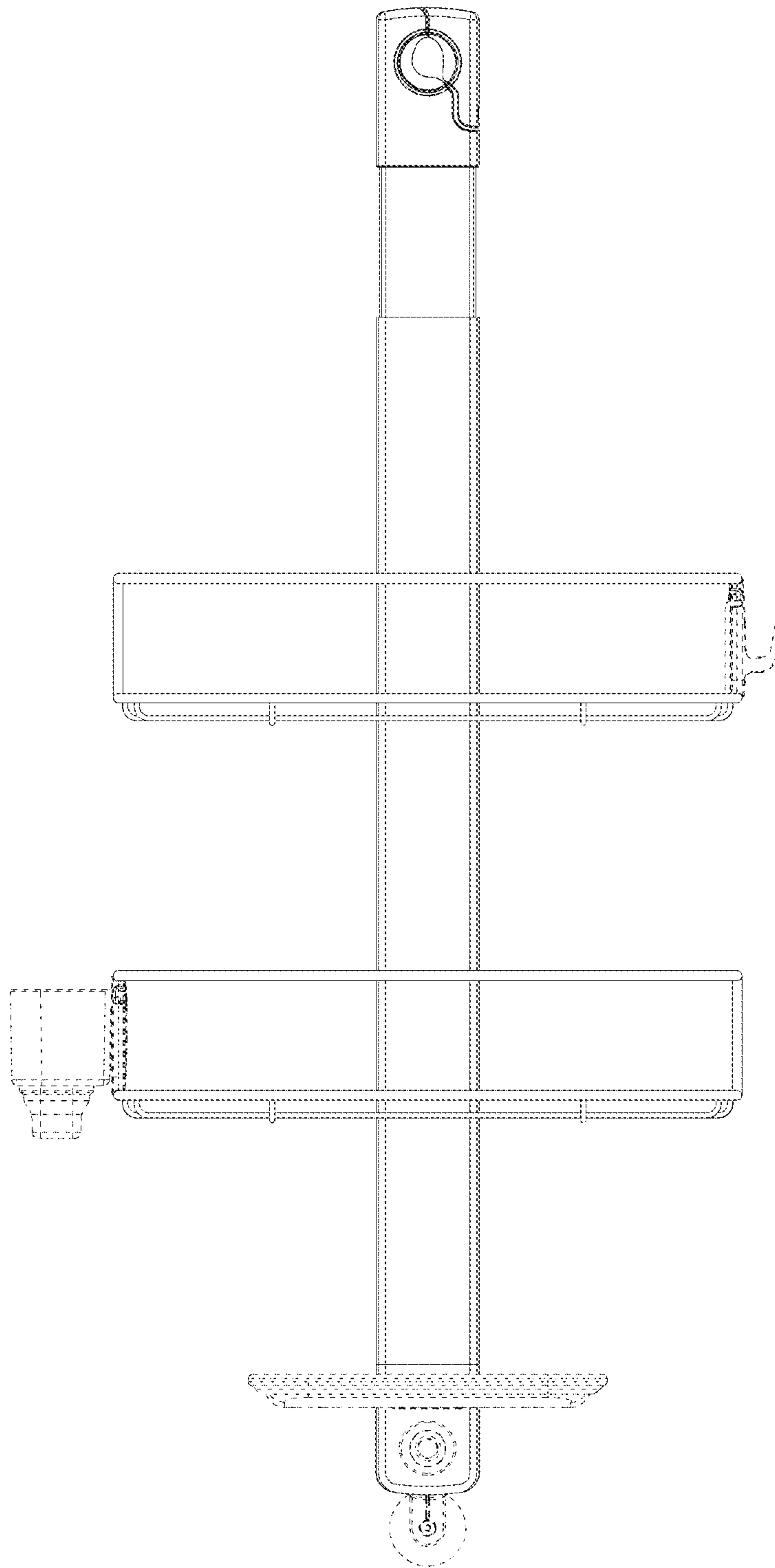
OTHER PUBLICATIONS

U.S. Appl. No. 29/484,885, filed Mar. 13, 2014, Yang et al.  
 U.S. Appl. No. 29/484,743, filed Mar. 12, 2014, Yang et al.

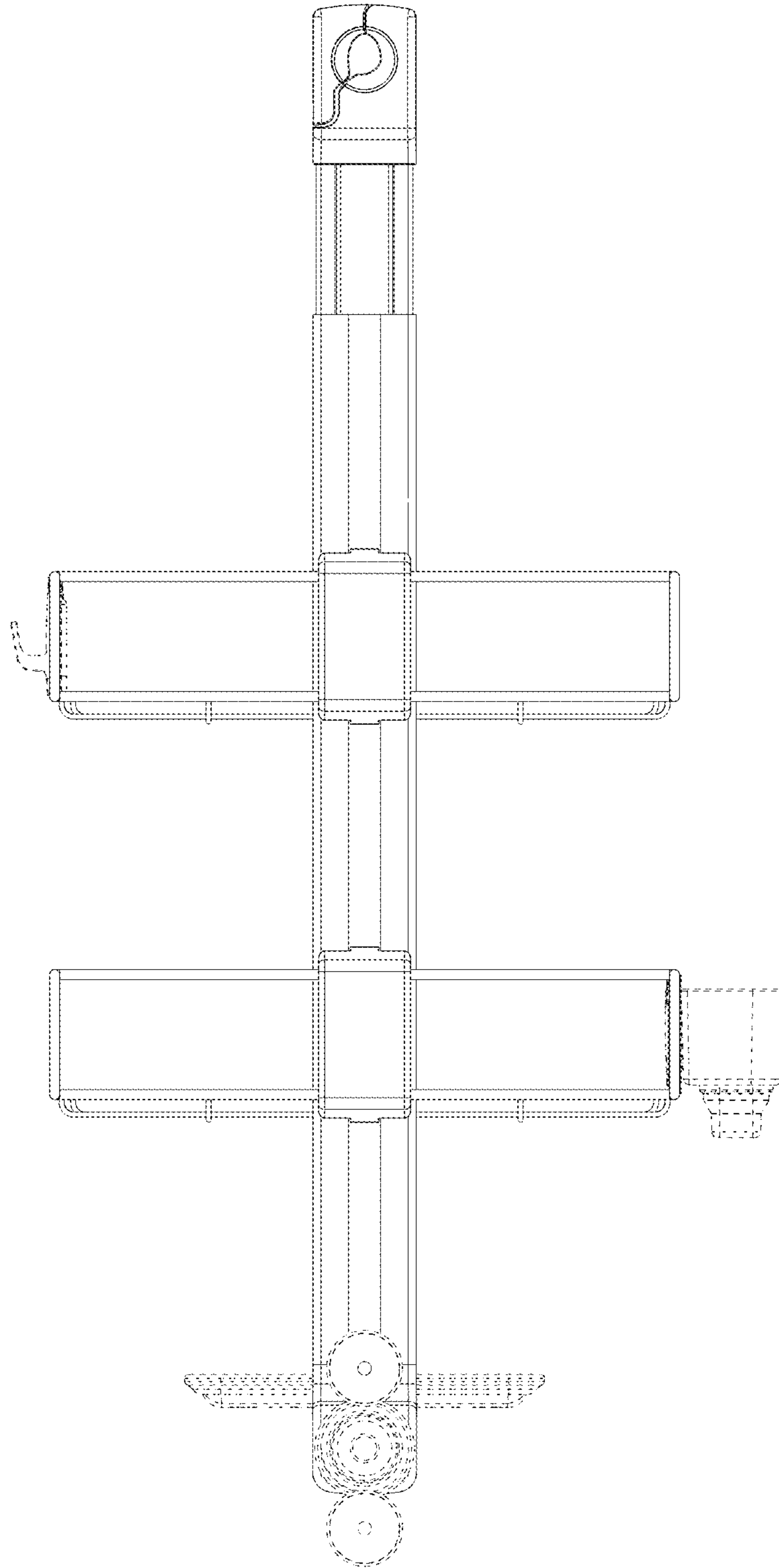
\* cited by examiner



*Fig. 1*

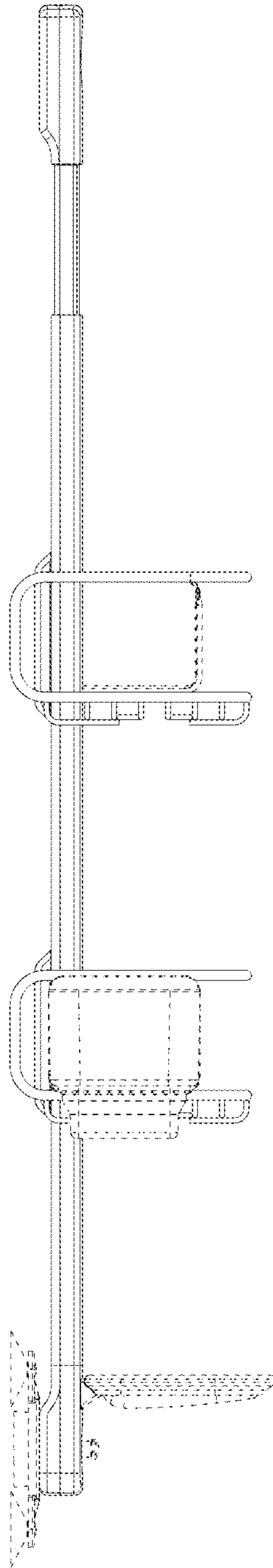


*Fig. 2*

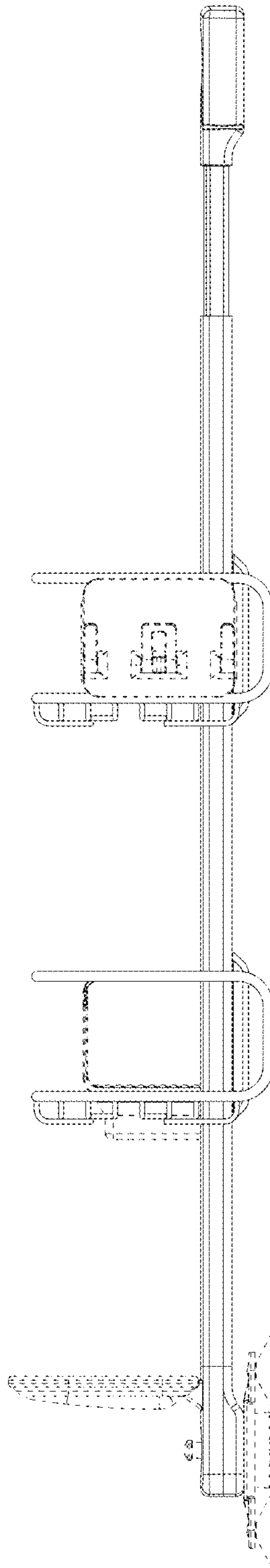


*Fig. 3*



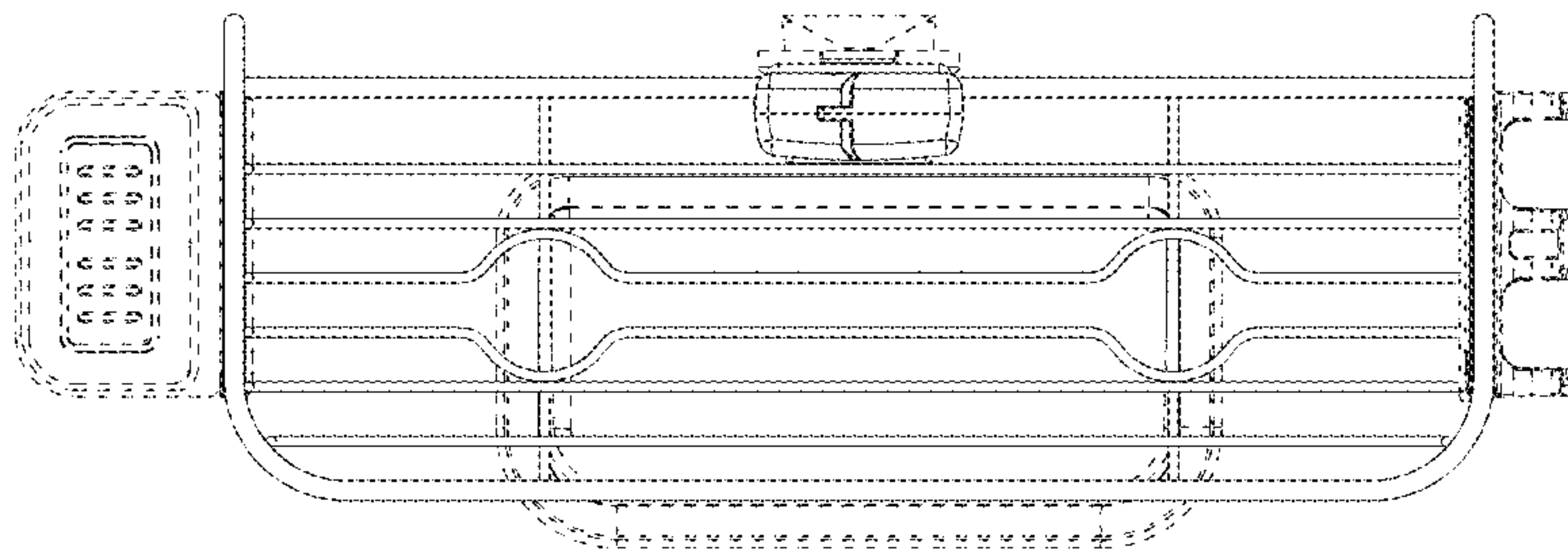


*Fig. 4*

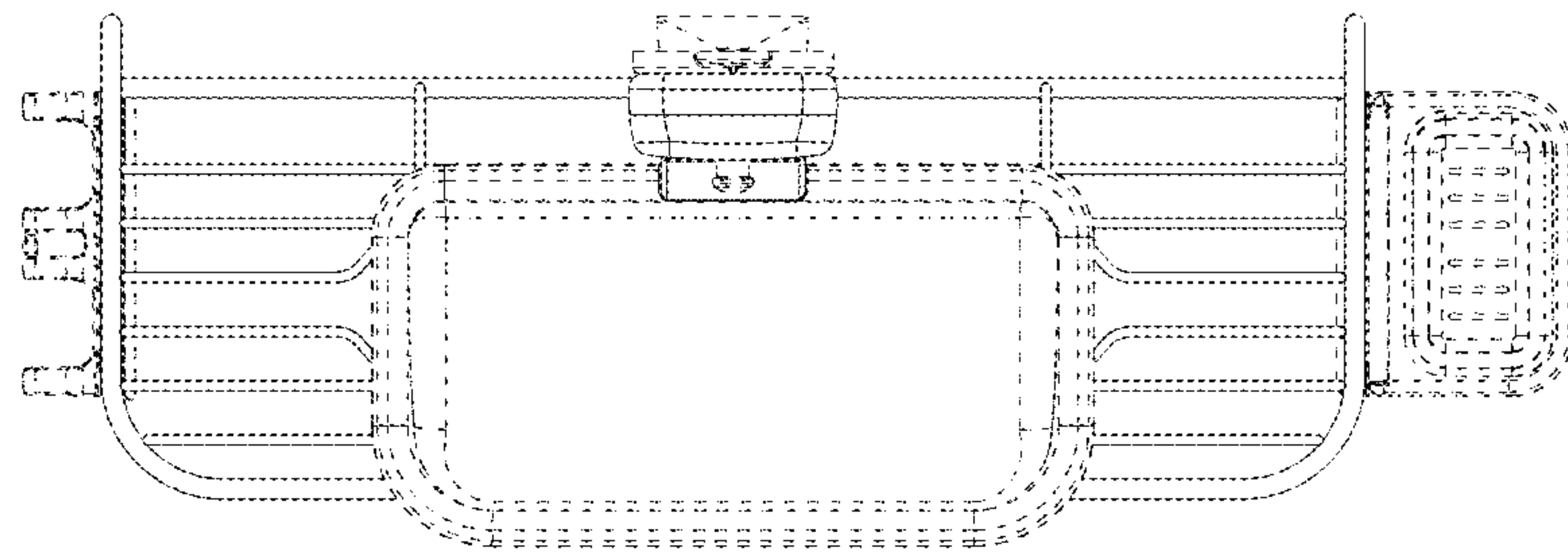


*Fig. 5*





*Fig. 6*



*Fig. 7*