



US00D727057S

(12) **United States Design Patent**  
**Frankel**

(10) **Patent No.:** **US D727,057 S**  
(45) **Date of Patent:** **\*\* Apr. 21, 2015**

(54) **LID DISPENSER**

(71) Applicant: **Stuart Frankel**, Miami, FL (US)

(72) Inventor: **Stuart Frankel**, Miami, FL (US)

(73) Assignee: **Stuart Frankel**, Miami, FL (US)

(\*\*) Term: **14 Years**

(21) Appl. No.: **29/482,963**

(22) Filed: **Feb. 24, 2014**

(51) **LOC (10) Cl.** ..... **20-02**

(52) **U.S. Cl.**  
USPC ..... **D6/518**

(58) **Field of Classification Search**

CPC ..... A47F 7/021; A47F 5/05; A47F 7/00;  
A47F 1/126; A47F 7/163; A47K 10/40;  
A47K 10/3836; B66D 1/7442  
USPC ..... D6/515-518; 206/225, 333, 389, 391;  
211/13.1, 173, 180; 221/26, 33, 282,  
221/283; 242/570, 590; 248/309.1, 309.2,  
248/905

See application file for complete search history.

(56) **References Cited**

U.S. PATENT DOCUMENTS

|              |         |                    |        |
|--------------|---------|--------------------|--------|
| D365,952 S * | 1/1996  | Gagnon et al. .... | D6/515 |
| D373,037 S * | 8/1996  | Lotti .....        | D6/515 |
| D414,636 S * | 10/1999 | Wiese .....        | D6/515 |
| D431,735 S * | 10/2000 | Sullivan .....     | D6/515 |
| D576,824 S * | 9/2008  | Eksrom .....       | D6/515 |
| D592,419 S * | 5/2009  | Feeney .....       | D6/515 |

\* cited by examiner

*Primary Examiner* — Brian N Vinson

(74) *Attorney, Agent, or Firm* — Feldman Gale, P.A.; A. Robert Weaver

(57) **CLAIM**

The ornamental design for a lid dispenser, as shown and described.

**DESCRIPTION**

FIG. 1 is a front perspective view of a lid dispenser according to the present invention;  
FIG. 2 is a front view of the lid dispenser of FIG. 1;  
FIG. 3 is a right side view of the lid dispenser of FIG. 1;  
FIG. 4 is a top view of the lid dispenser of FIG. 1; and,  
FIG. 5 is a bottom view of the lid dispenser of FIG. 1 with the features shown in broken lines removed.  
Features shown in broken lines are for illustrative purposes only and form no part of the claimed design.

**1 Claim, 3 Drawing Sheets**

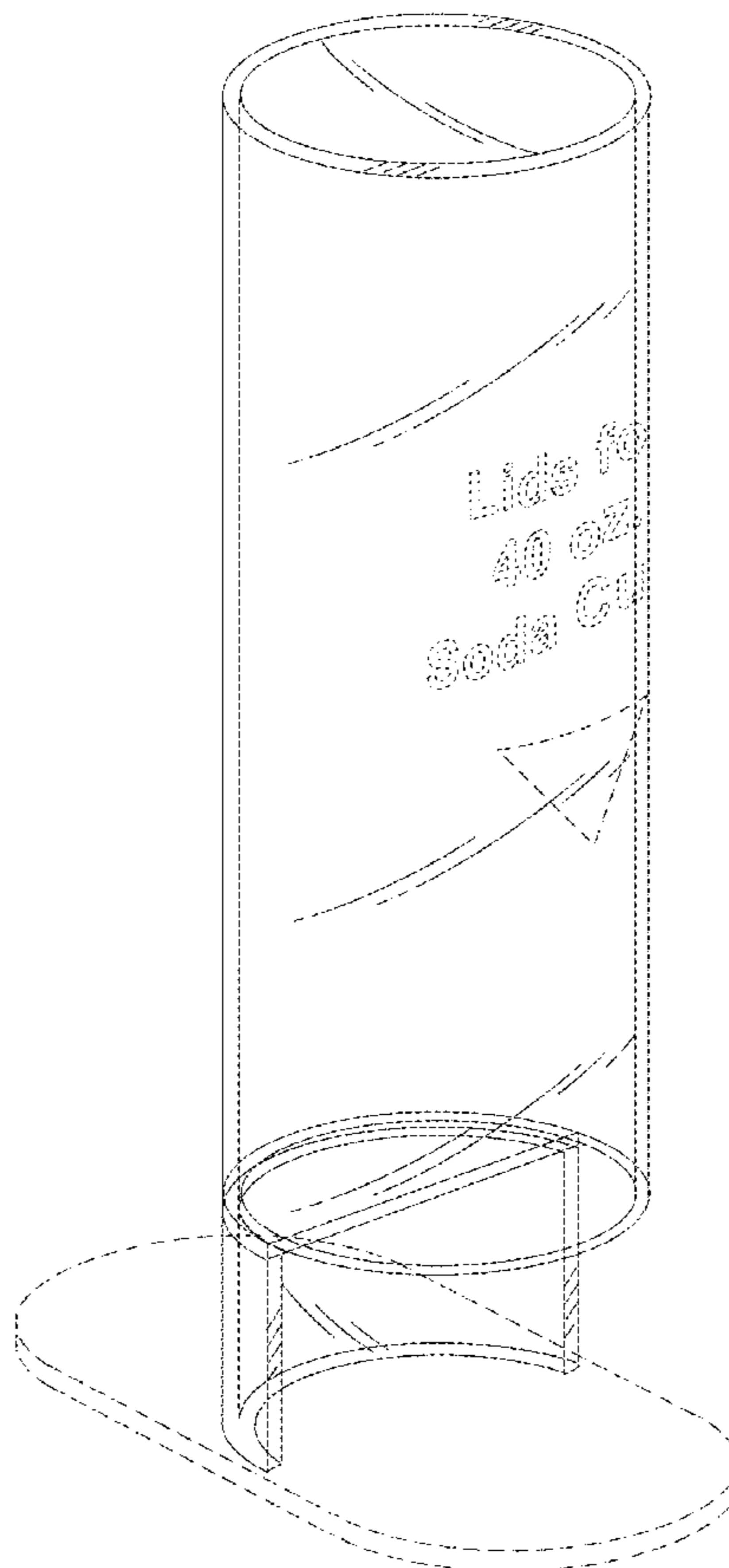


FIG. 1

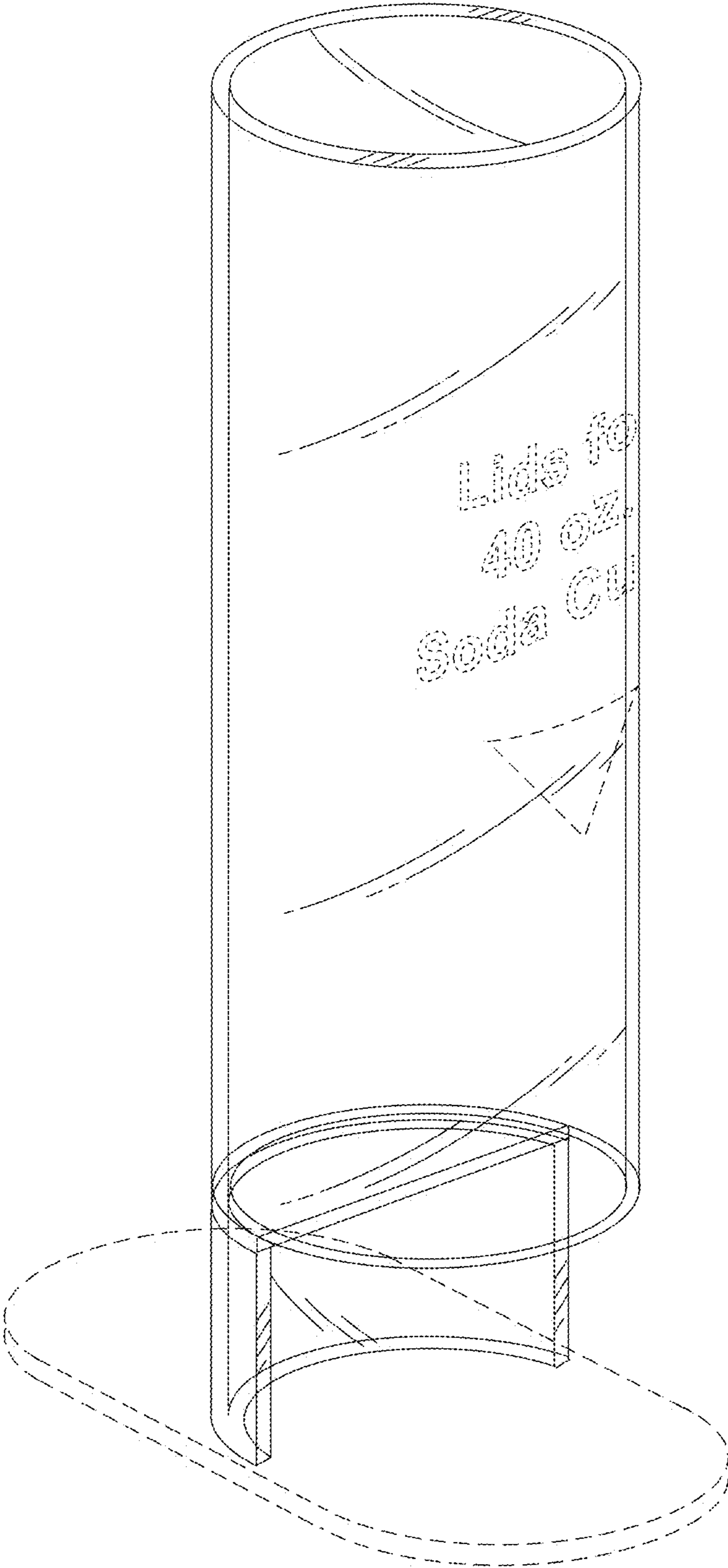


FIG. 2

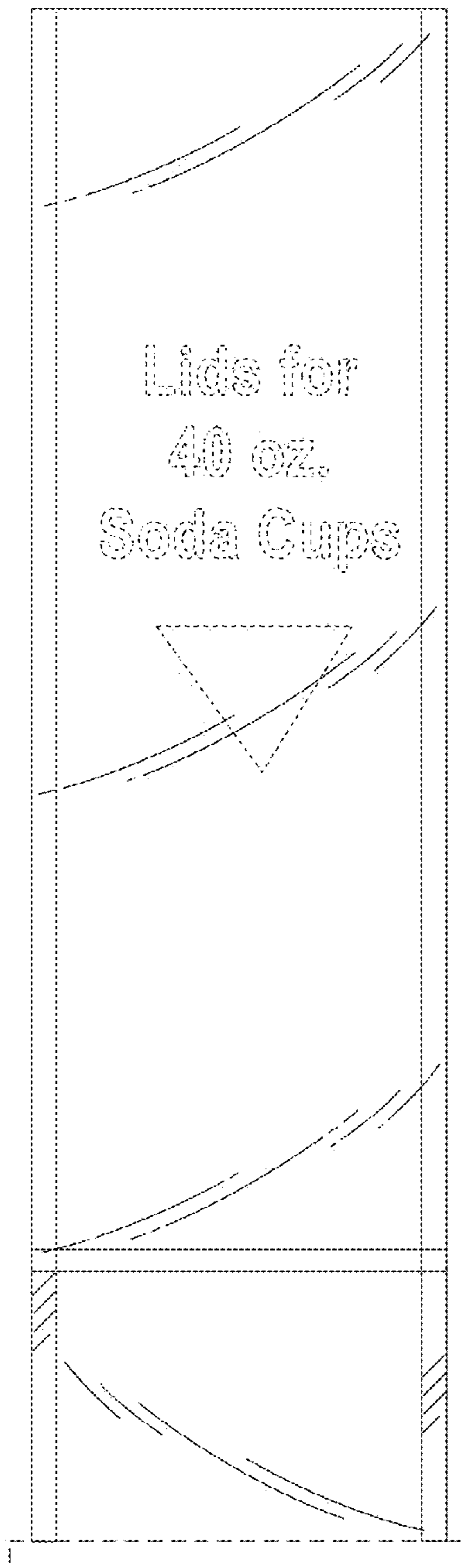
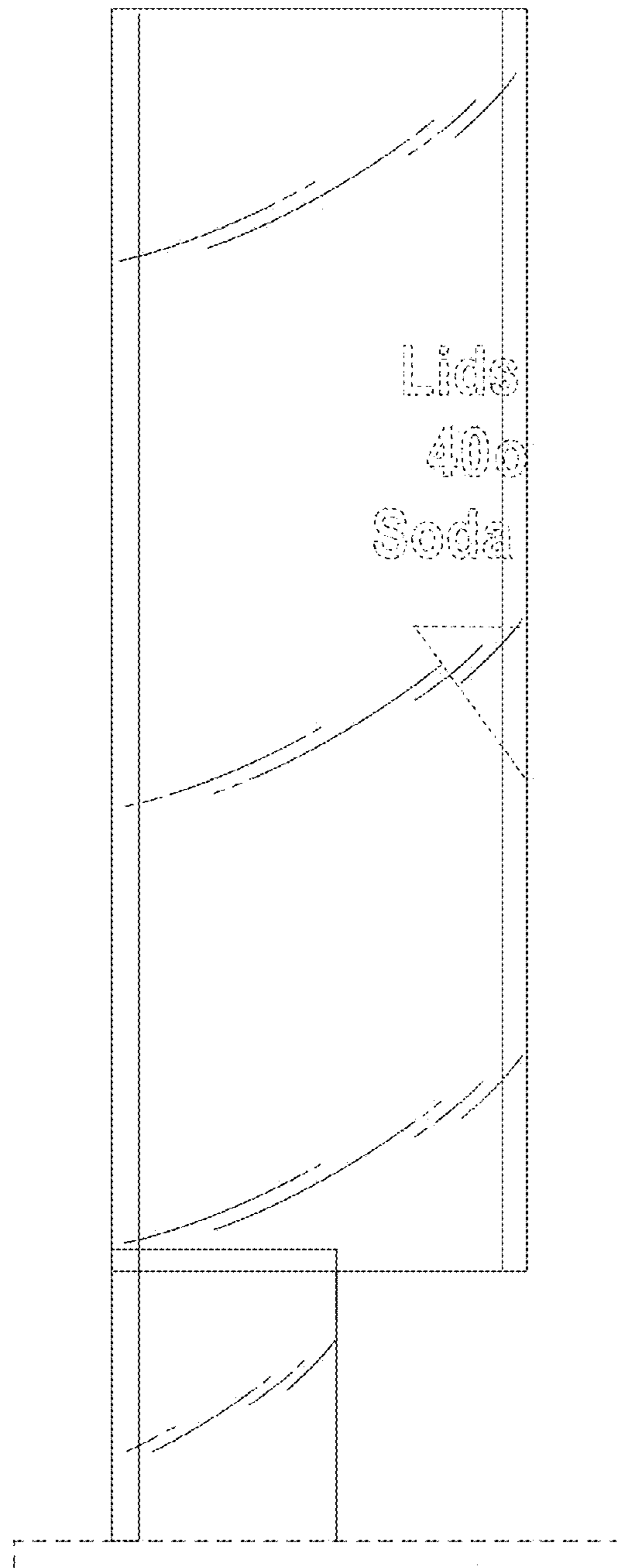
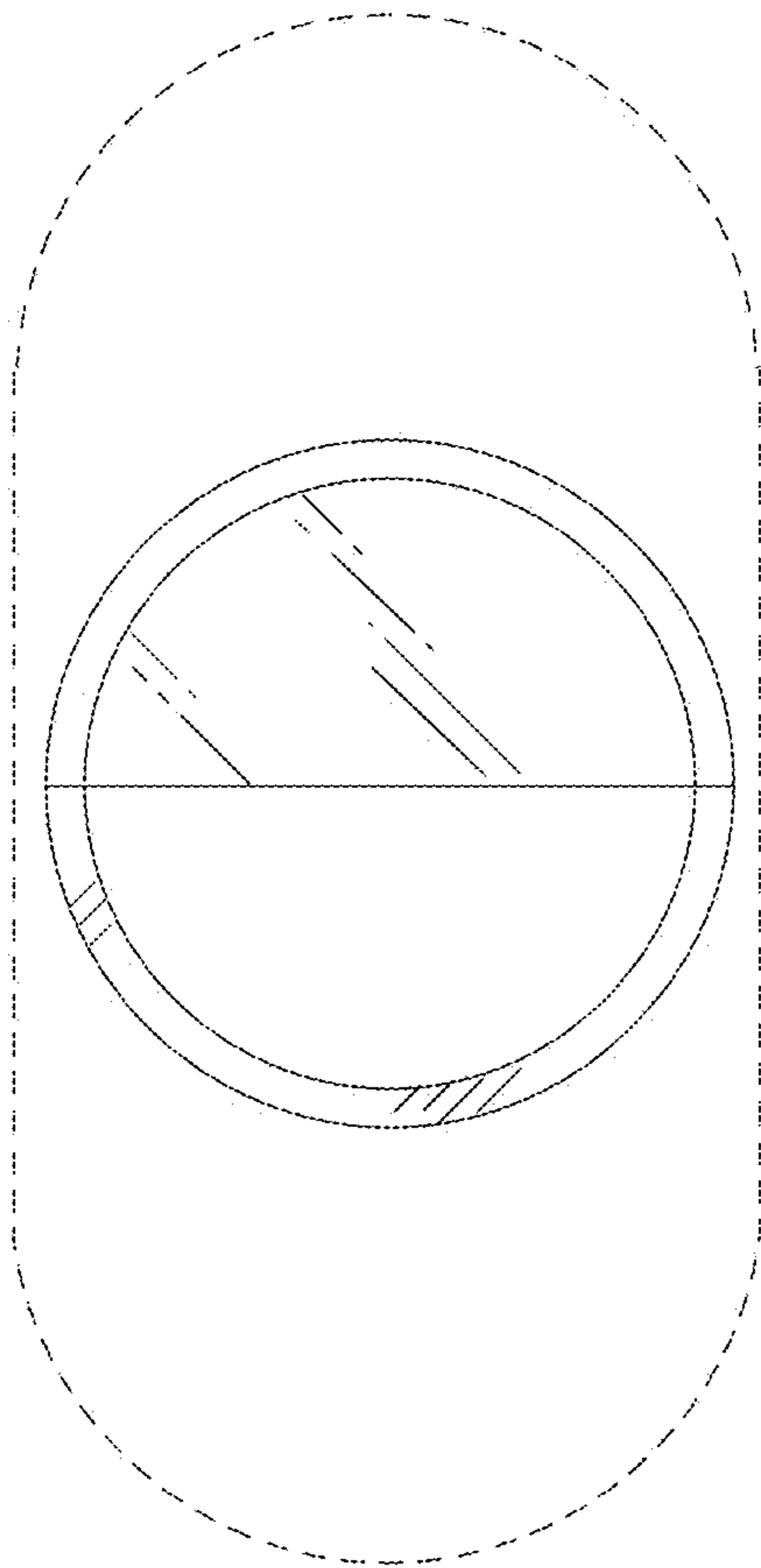


FIG. 3



**FIG. 4**



**FIG. 5**

