



US00D727055S

(12) **United States Design Patent**
Bogner et al.

(10) **Patent No.:** **US D727,055 S**

(45) **Date of Patent:** **** Apr. 21, 2015**

(54) **DISPENSER**

(71) Applicant: **PepsiCo, Inc.**, Purchase, NY (US)

(72) Inventors: **Eric Bogner**, New York, NY (US);
Martin Eduardo Broen, New York, NY
(US); **Stephen Lim**, Chappaqua, NY
(US)

(73) Assignee: **PepsiCo, Inc.**, Purchase, NY (US)

(**) Term: **14 Years**

(21) Appl. No.: **29/454,192**

(22) Filed: **May 7, 2013**

(51) **LOC (10) Cl.** **20-02**

(52) **U.S. Cl.**
USPC **D6/518**; D6/545

(58) **Field of Classification Search**
USPC D6/515–523, 545; 206/225, 233, 389,
206/391; 211/13.1, 45; 242/570, 590;
221/26, 33, 282–283; 222/173, 180;
248/309.1, 309.2, 905; D10/74, 103,
D10/122

See application file for complete search history.

(56) **References Cited**

U.S. PATENT DOCUMENTS

D599,501 S	*	9/2009	Dawkins	D6/545
D643,237 S	*	8/2011	Reynolds et al.	D6/545
D662,744 S	*	7/2012	Memory et al.	D6/545
D704,950 S		5/2014	Bogner et al.		

* cited by examiner

Primary Examiner — Brian N Vinson

(74) *Attorney, Agent, or Firm* — Banner & Witcoff, Ltd.

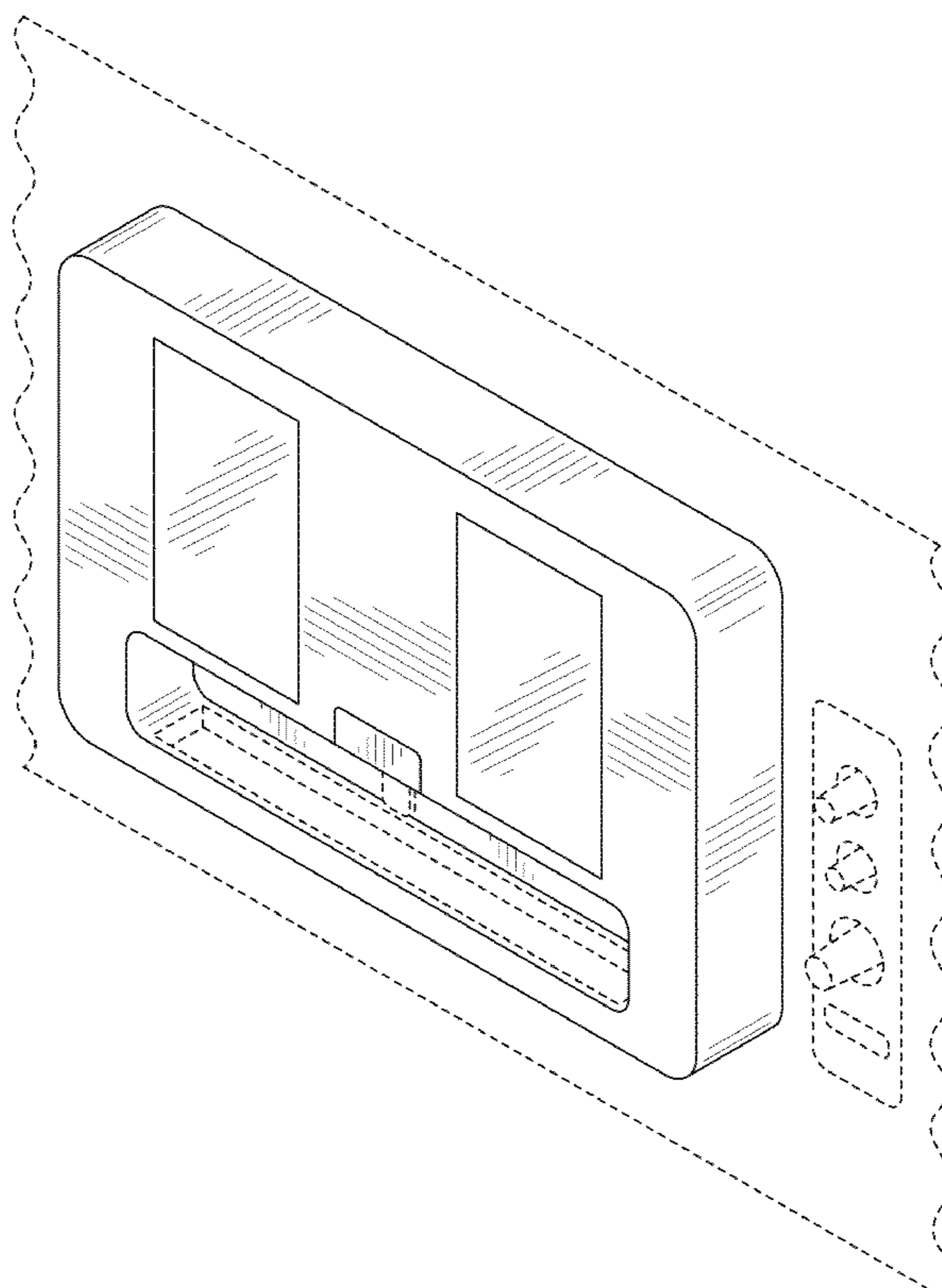
(57) **CLAIM**

The ornamental design for a dispenser, as shown and described.

DESCRIPTION

FIG. 1 is a top, front, right perspective view of a dispenser showing our new design;
FIG. 2 is a front view thereof;
FIG. 3 is a right side view thereof;
FIG. 4 is a left side view thereof;
FIG. 5 is a top view thereof;
FIG. 6 is a bottom view thereof; and,
FIG. 7 is a top, front, right perspective view of our dispenser shown with an exemplary unclaimed environment of a wall. The broken lines showing the remainder of the dispenser form no part of the claimed design. The broken lines immediately adjacent to the shaded area represent unclaimed boundaries of the design. The broken line disclosure of a wall fragment and other elements are for illustrative purposes only and form no part of the claimed design.

1 Claim, 4 Drawing Sheets



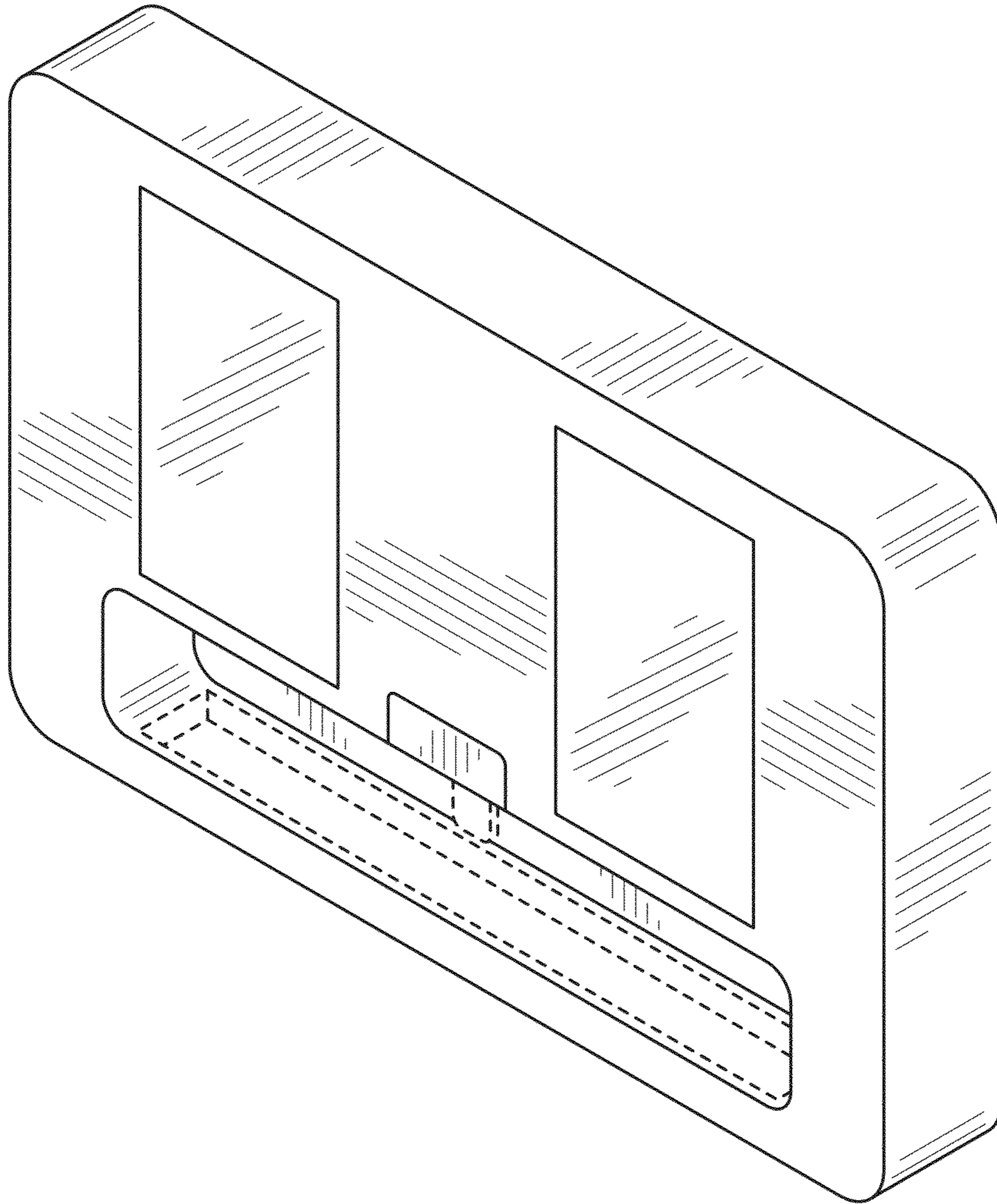


FIG. 1

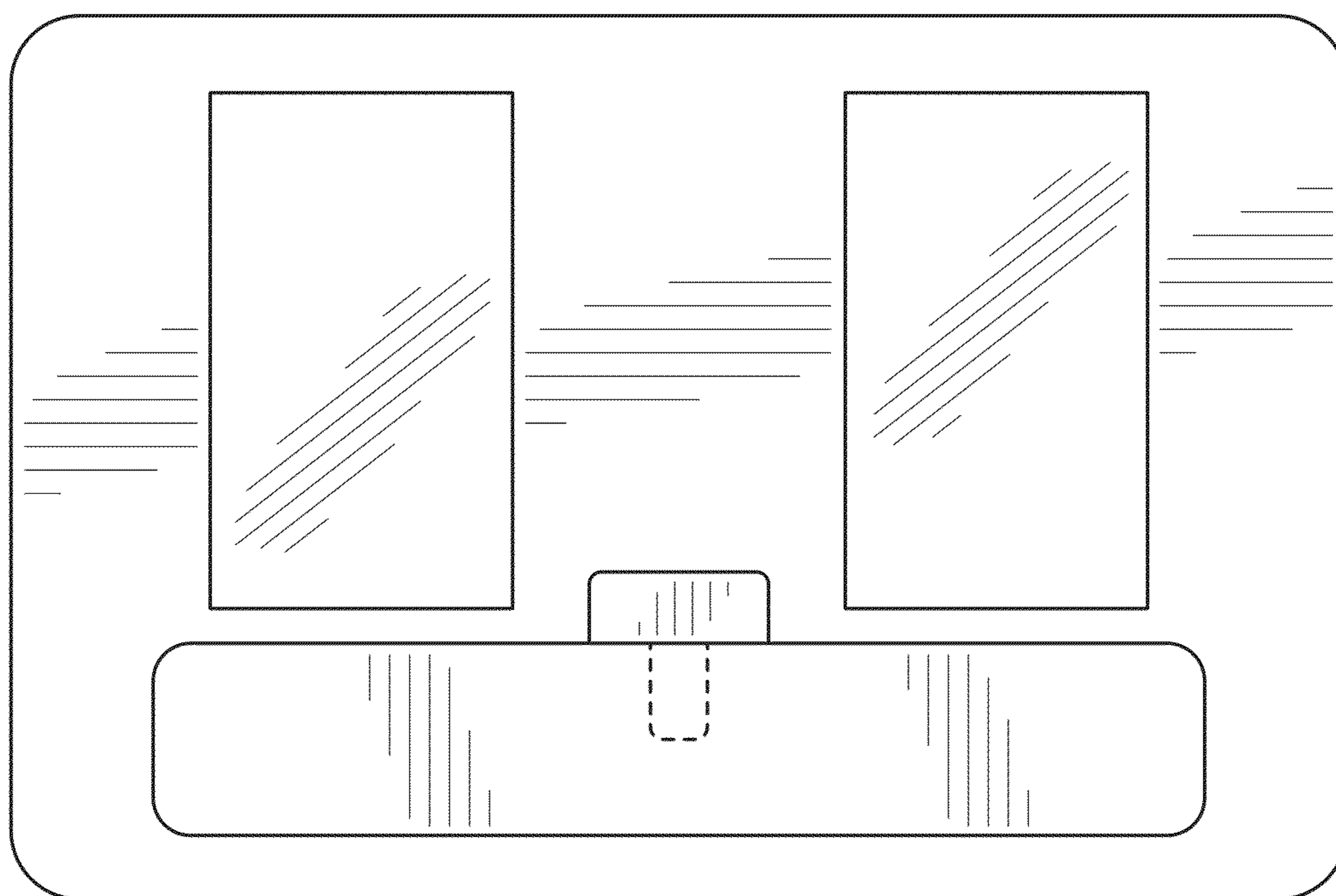


FIG. 2

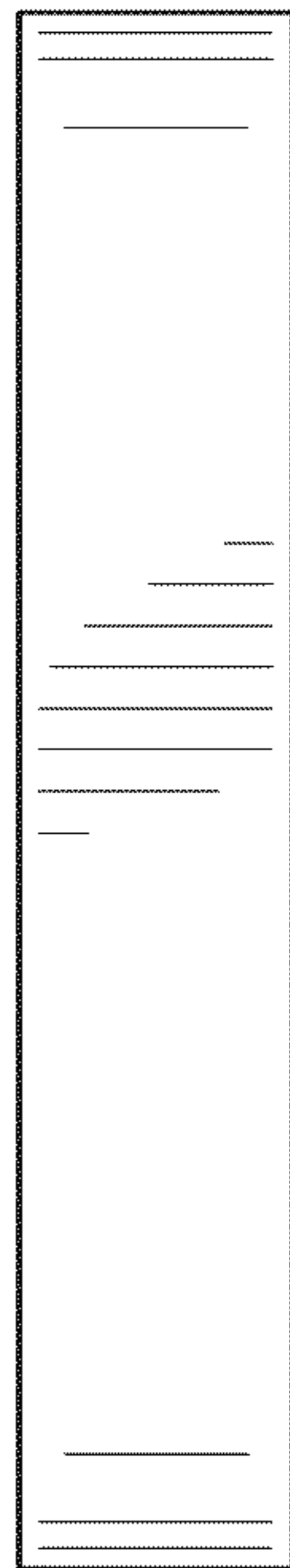


FIG. 3

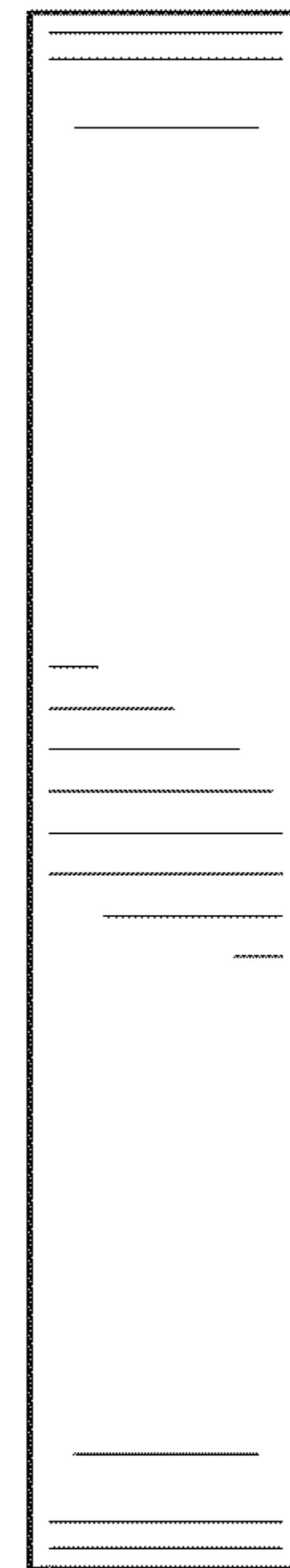


FIG. 4



FIG. 5



FIG. 6

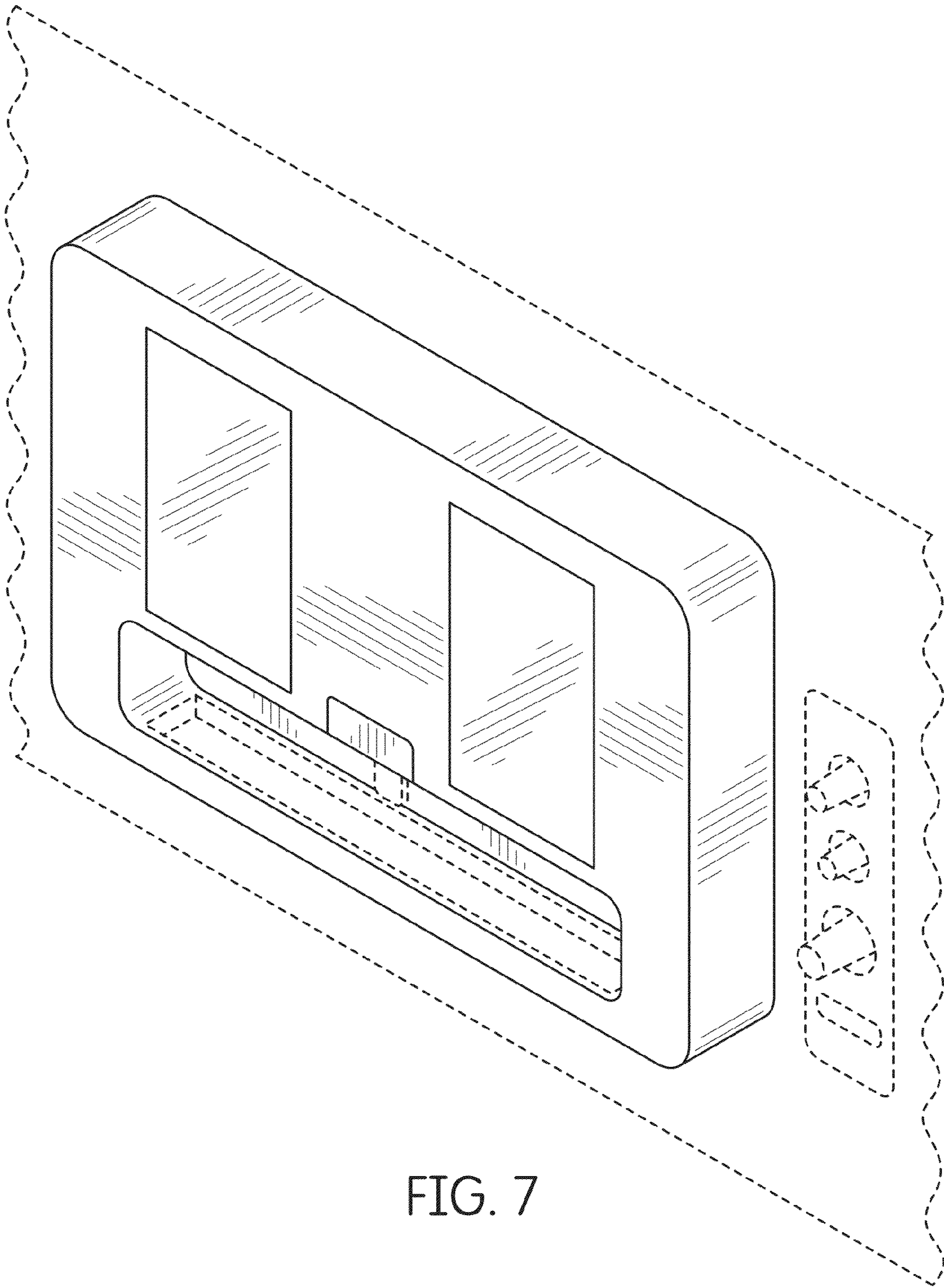


FIG. 7