



US00D727054S

(12) **United States Design Patent**
James et al.

(10) **Patent No.:** **US D727,054 S**
(45) **Date of Patent:** **** Apr. 21, 2015**

(54) **FILM DISPENSER**

(71) Applicants: **Timothy James**, Brooklyn, NY (US);
Haley A. Lowry, Houston, TX (US); **Jill M. Martin**, Brazoria, TX (US)

(72) Inventors: **Timothy James**, Brooklyn, NY (US);
Haley A. Lowry, Houston, TX (US); **Jill M. Martin**, Brazoria, TX (US)

(73) Assignee: **Dow Global Technologies LLC**,
Midland, MI (US)

(**) Term: **14 Years**

(21) Appl. No.: **29/446,114**

(22) Filed: **Feb. 20, 2013**

(51) **LOC (10) Cl.** **20-02**

(52) **U.S. Cl.**
USPC **D6/518**

(58) **Field of Classification Search**
USPC D6/518-524, 546-550; 108/28-29;
211/13.1, 16, 60.1, 86.01, 87.01,
211/88.01, 88.04, 100, 105.1, 105.2, 123,
211/181.1, 182; 248/175, 176.1, 251, 302;
16/110.1, 415; 242/570, 590, 595-598,
242/597.7; D8/300, 303, 315-321;
220/216; D9/734

See application file for complete search history.

(56) **References Cited**

U.S. PATENT DOCUMENTS

D341,046 S * 11/1993 Clark, Jr. D6/518
D374,360 S * 10/1996 Angermeir D6/518
5,671,847 A 9/1997 Pedersen et al.
6,283,405 B1 9/2001 Tracy
7,040,567 B1 5/2006 Lewis et al.
D524,084 S * 7/2006 Wieser et al. D6/518

D651,831 S * 1/2012 Becherer et al. D6/518
D666,854 S * 9/2012 Valadao D6/518
D704,951 S * 5/2014 Coleman D6/518
2006/0204148 A1 9/2006 Kohn
2008/0173662 A1 7/2008 Che
2009/0214142 A1 8/2009 Bossel et al.

FOREIGN PATENT DOCUMENTS

FR 2977873 A1 1/2013

OTHER PUBLICATIONS

Machine translation of FR2977873.

* cited by examiner

Primary Examiner — Brian N Vinson

(74) *Attorney, Agent, or Firm* — Whyte Hirschboeck Dudek S.C.

(57) **CLAIM**

An ornamental design for a film dispenser, as shown and described.

DESCRIPTION

FIG. 1 is a perspective view of a film dispenser showing our new design;
FIG. 2 is a top plan view thereof;
FIG. 3 is a front elevation view thereof;
FIG. 4 is a left elevation view thereof with the right elevation view being a mirror image to the left elevation view;
FIG. 5 is a bottom plan view thereof;
FIG. 6 is a rear elevation view thereof; and,
FIG. 7 is a perspective view thereof wherein the dispenser is open.
The broken lines in the drawings represent unclaimed environmental matter.

1 Claim, 5 Drawing Sheets

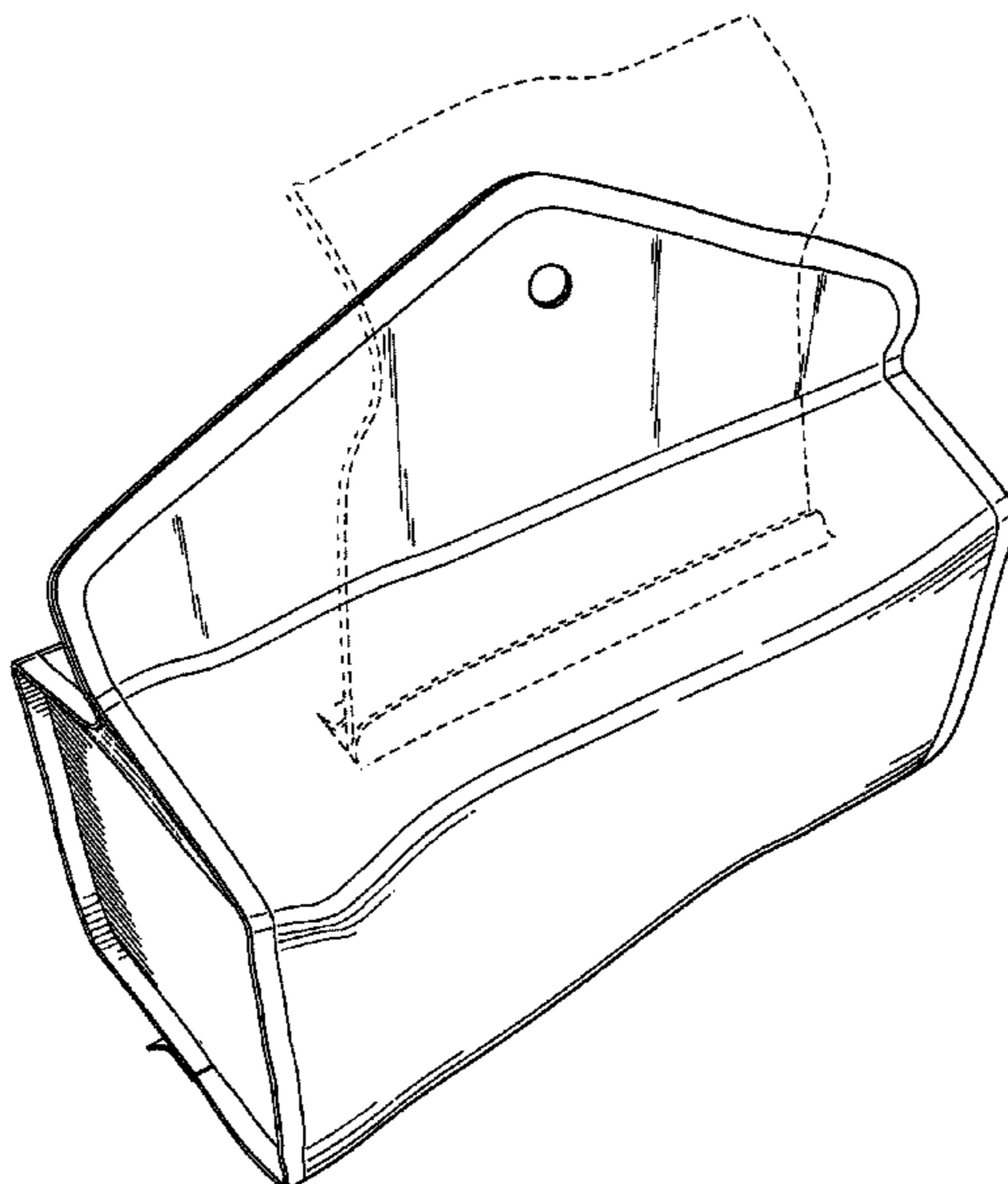


Fig. 1

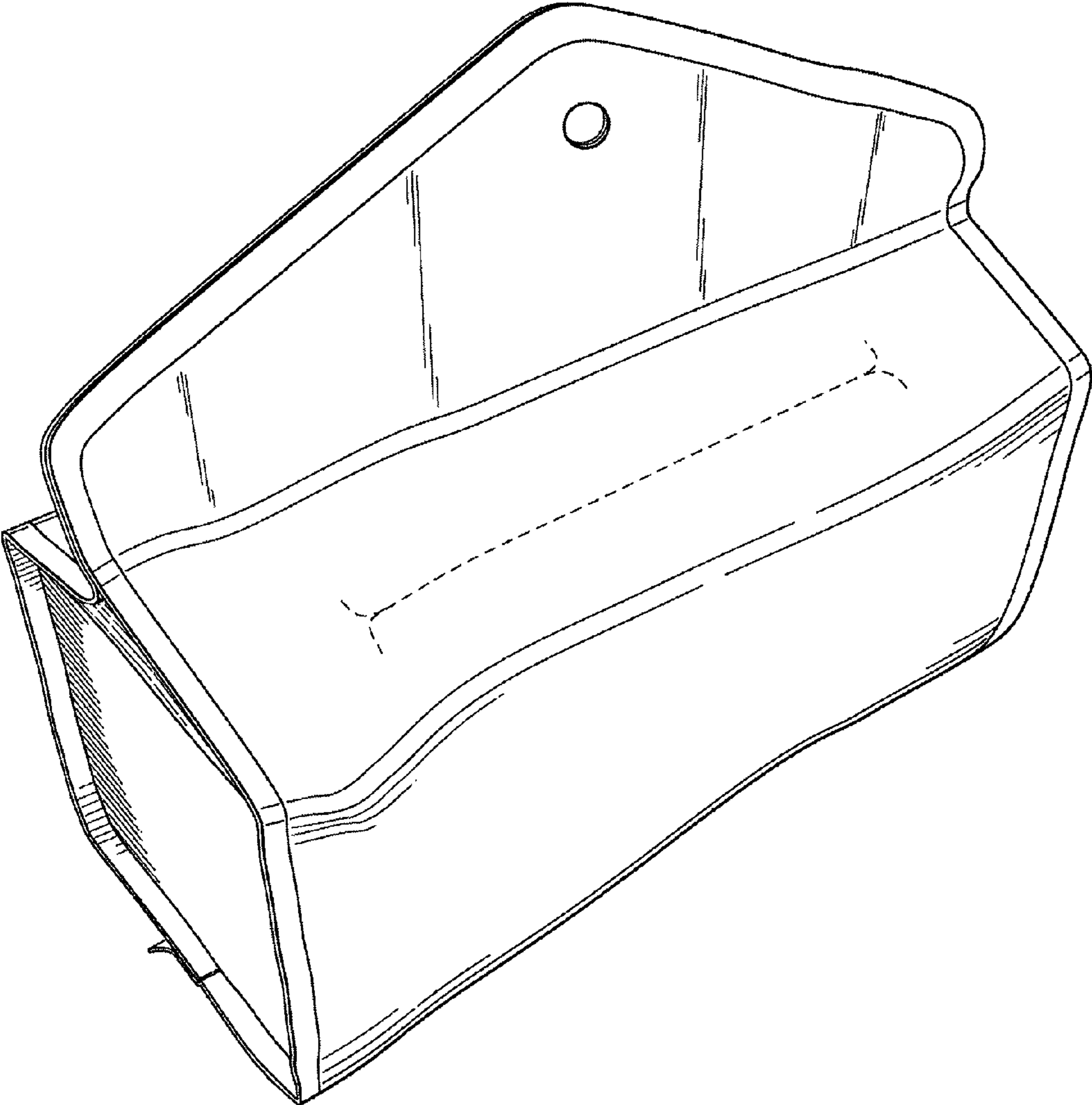


Fig. 2

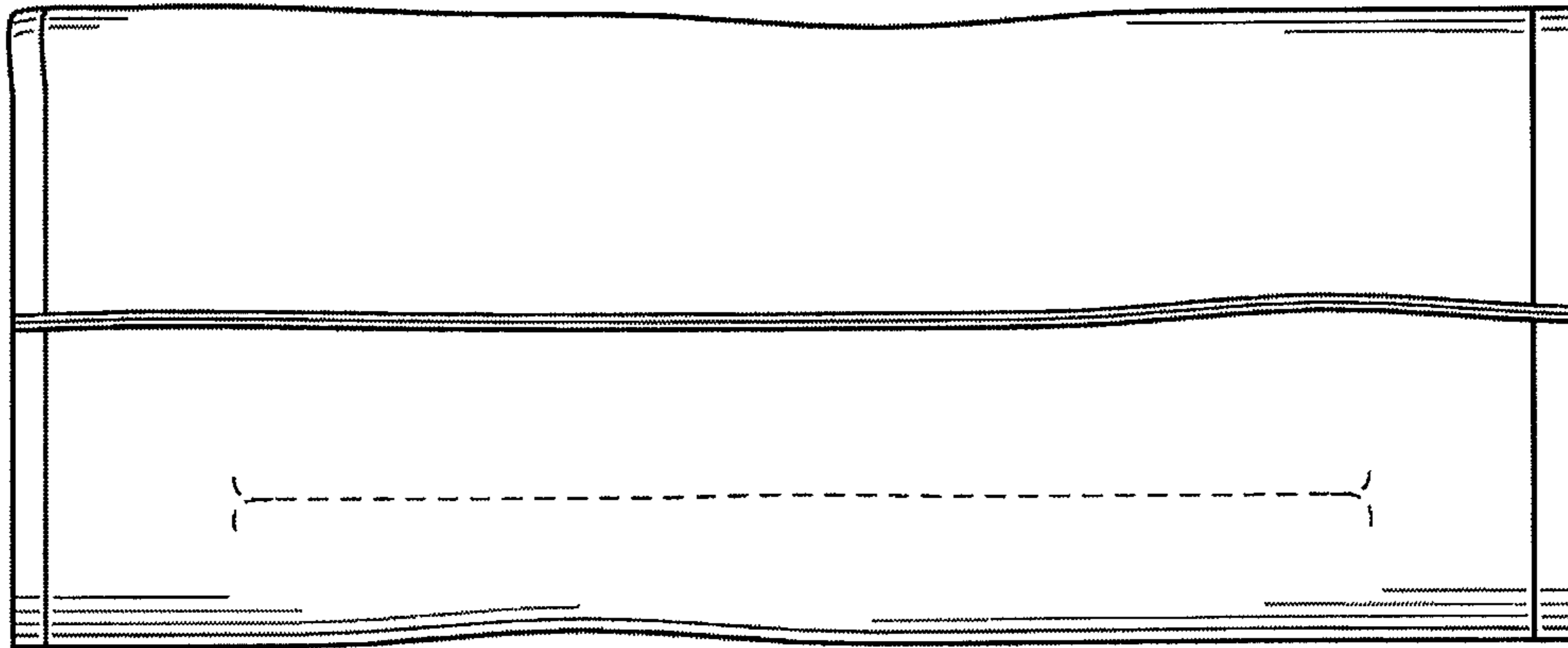


Fig. 3

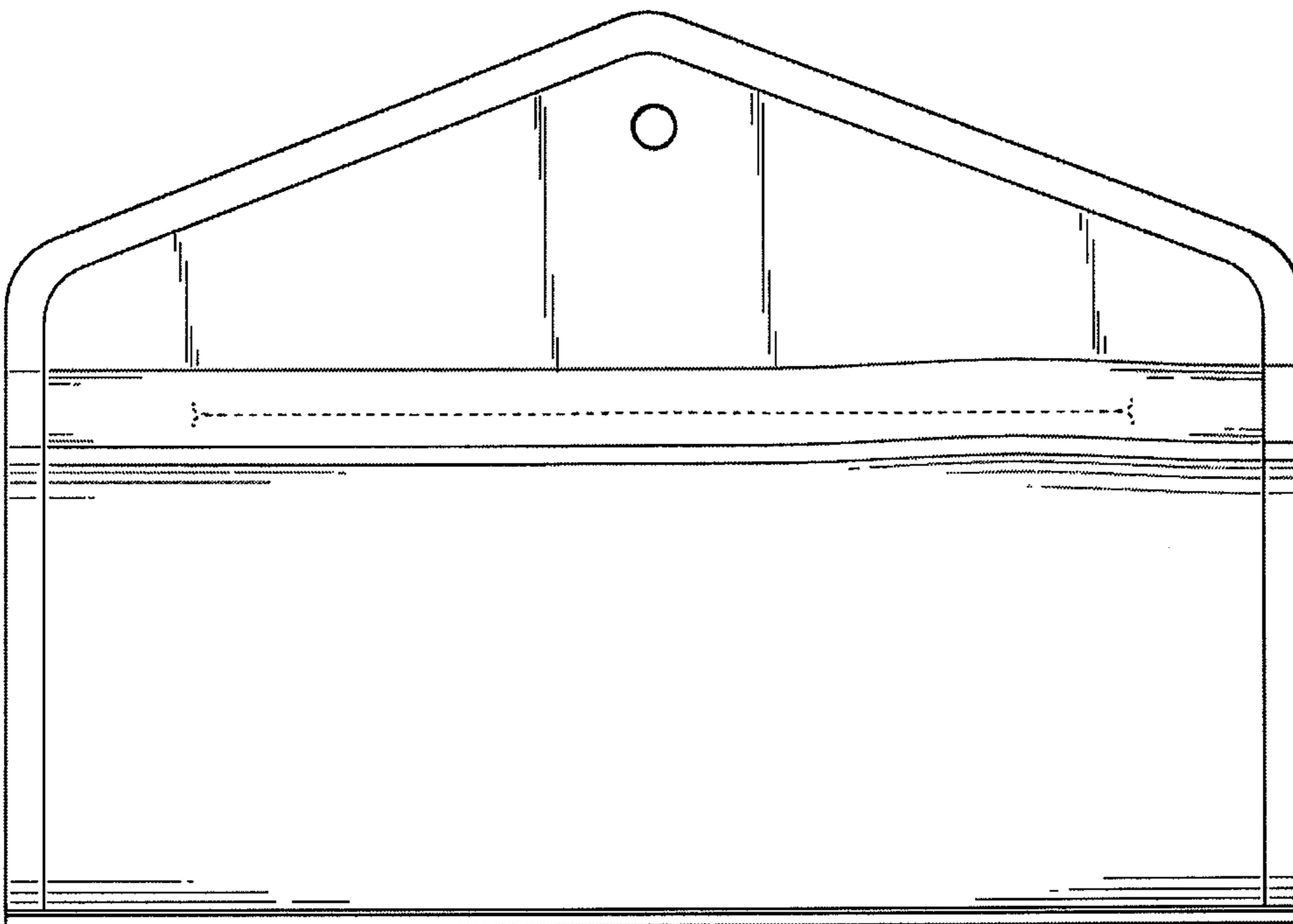


Fig. 4

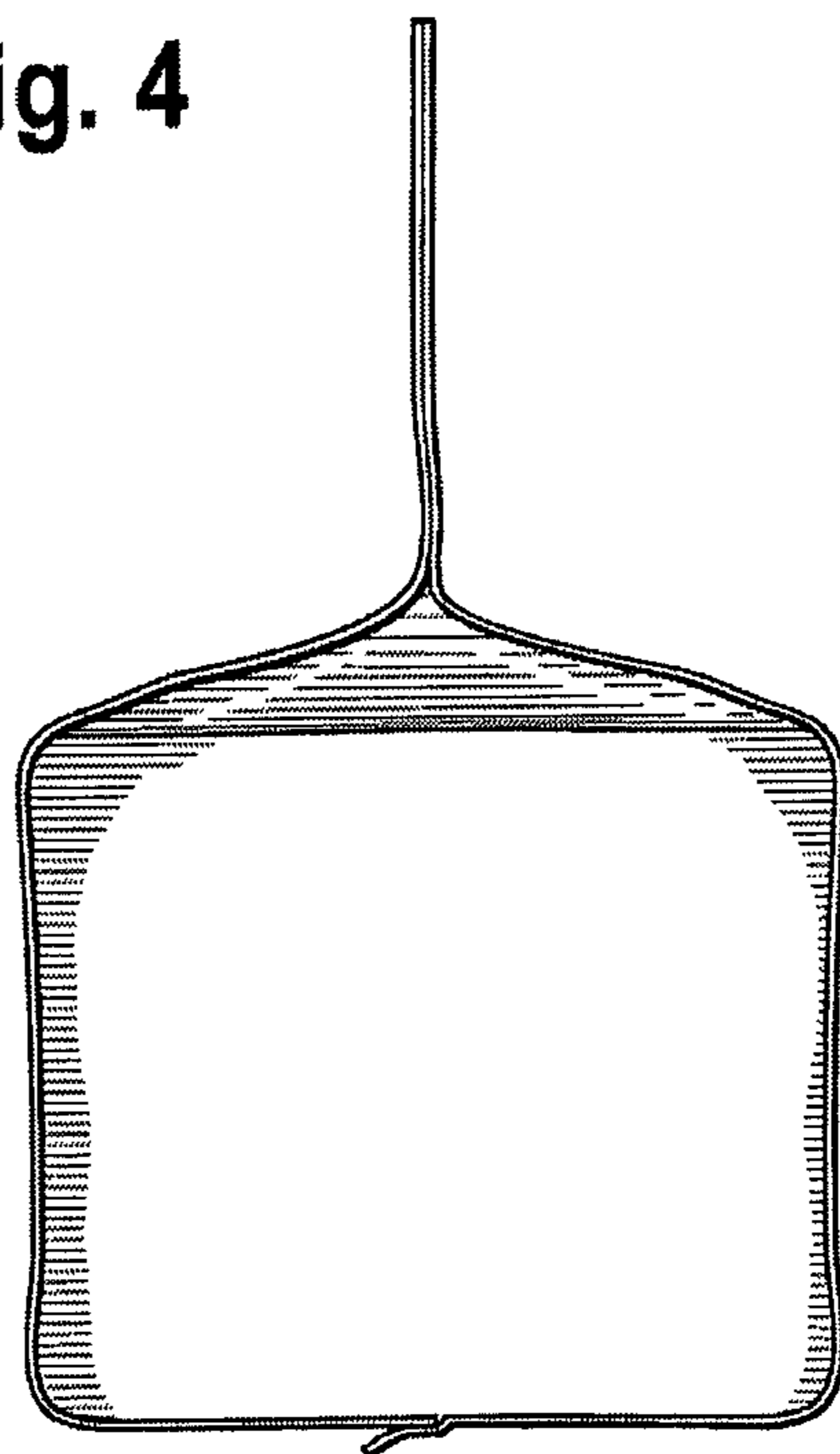


Fig. 5

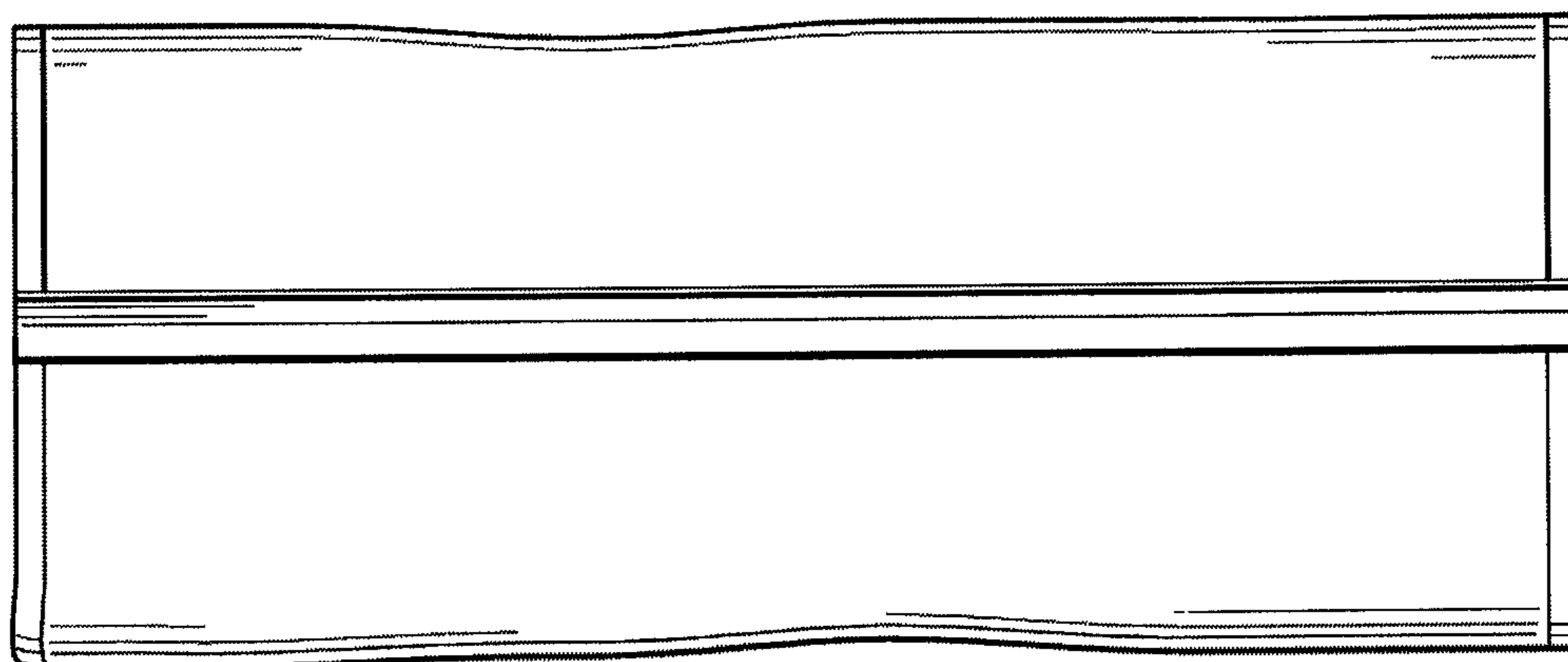


Fig. 6

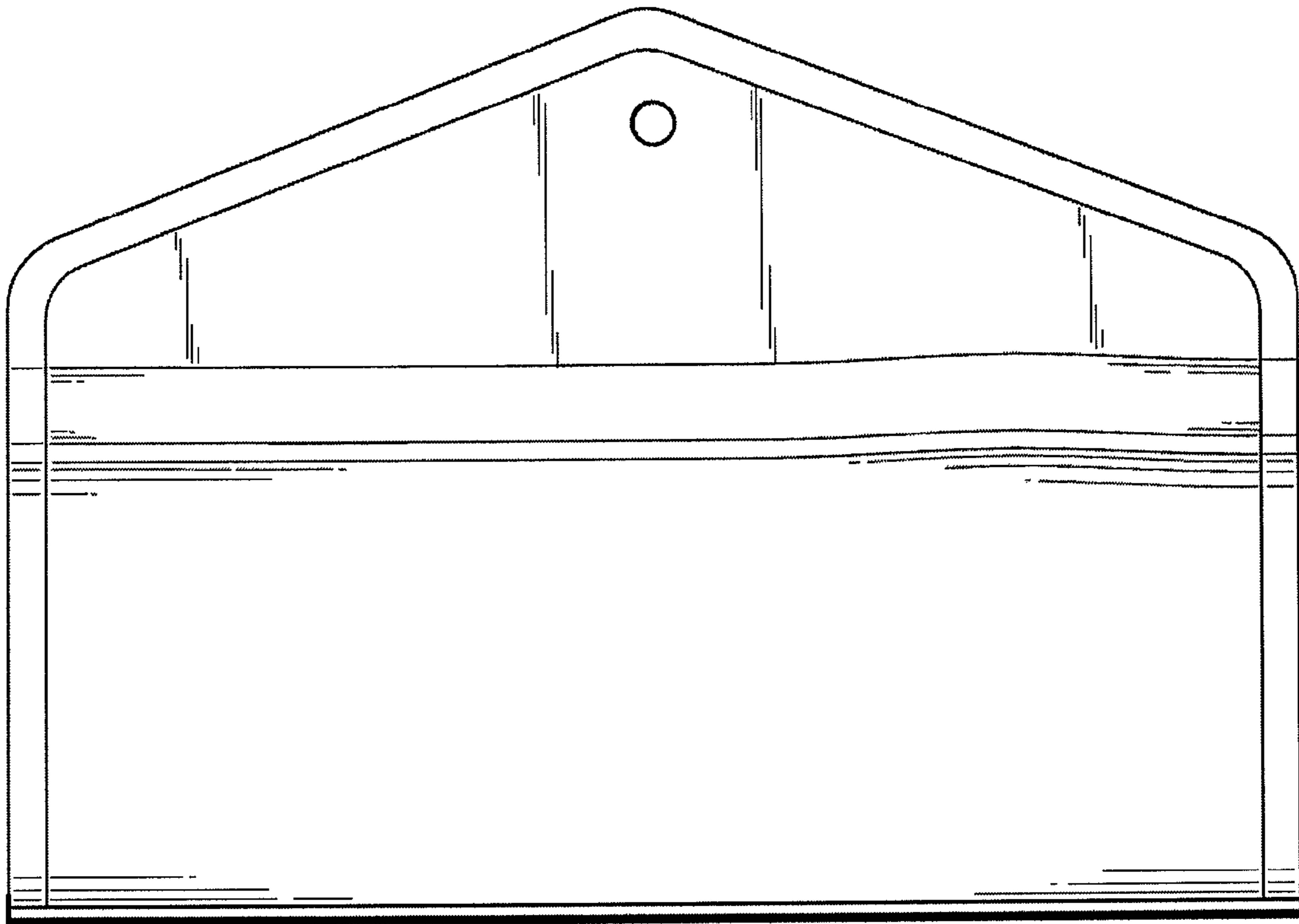


Fig. 7

