



US00D727053S

(12) **United States Design Patent**
Yoon et al.

(10) **Patent No.:** **US D727,053 S**
(45) **Date of Patent:** **** Apr. 21, 2015**

(54) **BED**

Primary Examiner — Janice Seeger

(74) *Attorney, Agent, or Firm* — Novell IP llc; Shyla N. Jones

(71) Applicant: **Virgin Hotels North America, LLC**,
New York, NY (US)

(57) **CLAIM**

We claim the ornamental design for the bed, as shown and described.

(72) Inventors: **Shelley Yoon**, Miami, FL (US); **Jesus Raul Leal**, Miami, FL (US); **Diego Pedro Gronda**, Madrid (ES)

DESCRIPTION

(73) Assignee: **Virgin Hotels North America, LLC**,
New York, NY (US)

(**) Term: **14 Years**

(21) Appl. No.: **29/480,315**

(22) Filed: **Jan. 24, 2014**

(51) **LOC (10) Cl.** **06-06**

(52) **U.S. Cl.**
USPC **D6/393**

(58) **Field of Classification Search**

CPC A47C 19/02; A47C 19/21; A47C 19/22;
A47C 19/00

USPC D6/382, 383, 388, 389, 392–395,
D6/718.13; 5/53.1, 279.1, 280, 281, 907

See application file for complete search history.

FIG. 1 is a perspective view of bed showing a first embodiment of the present invention.

FIG. 2 is a top view of the invention shown in FIG. 1.

FIG. 3 is a front view of the invention shown in FIG. 1.

FIG. 4 is a rear view of the invention shown in FIG. 1.

FIG. 5 is a first side view of the invention shown in FIG. 1.

FIG. 6 is a second side view of the invention shown in FIG. 1.

FIG. 7 is a perspective view of the invention shown in FIG. 1, with a mattress for illustrative purposes only.

FIG. 8 is a top view of the invention shown in FIG. 7.

FIG. 9 is a front view of the invention shown in FIG. 7.

FIG. 10 is a rear view of the invention shown in FIG. 7.

FIG. 11 is a first side view of the invention shown in FIG. 7.

FIG. 12 is a second side view of the invention shown in FIG. 7.

FIG. 13 is a perspective view of a bed showing a second embodiment of the present invention.

FIG. 14 is a top view of the invention shown in FIG. 13.

FIG. 15 is a front view of the invention shown in FIG. 13.

FIG. 16 is a rear view of the invention shown in FIG. 13.

FIG. 17 is a first side view of the invention shown in FIG. 13.

FIG. 18 is a second side view of the invention shown in FIG. 13.

FIG. 19 is a perspective view of the invention shown in FIG. 13, with a mattress for illustrative purposes only.

FIG. 20 is a top view of the invention shown in FIG. 19.

FIG. 21 is a front view of the invention shown in FIG. 19.

FIG. 22 is a rear view of the invention shown in FIG. 19.

FIG. 23 is a first side view of the invention shown in FIG. 19; and,

FIG. 24 is a second side view of the invention shown in FIG. 19.

The ornamental design which is claimed is shown in solid lines in the drawings. The holes in the platform and the mattress, which are shown in broken lines in certain drawings are for illustrative purposes only and form no part of the claimed design. Moreover, the bottom of the bed, which is not shown, forms no part of the claimed design.

(56) **References Cited**

U.S. PATENT DOCUMENTS

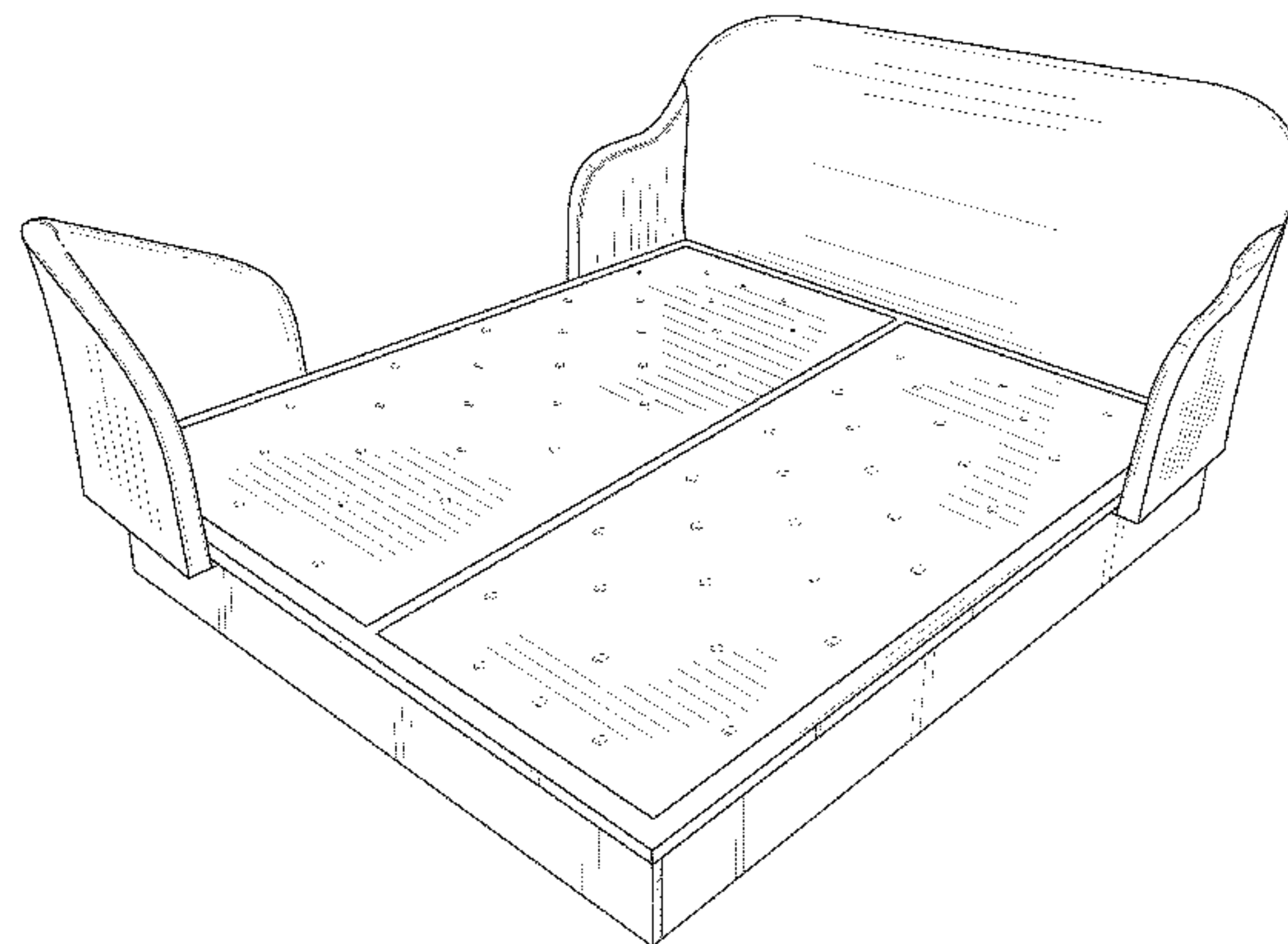
D480,889 S	*	10/2003	Risdon et al.	D6/393
D545,078 S	*	6/2007	Jourdan	D6/393
D644,851 S	*	9/2011	Colombo	D6/393
D660,045 S	*	5/2012	Lenney	D6/393
D699,465 S	*	2/2014	England	D6/393

OTHER PUBLICATIONS

Eric, Bedroom Inspiration: 20 Modern Beds by Roche Bobois, HomeDSGN website article, Dec. 12, 2012, Picture 4 in article (also lone image attached first).

* cited by examiner

1 Claim, 24 Drawing Sheets



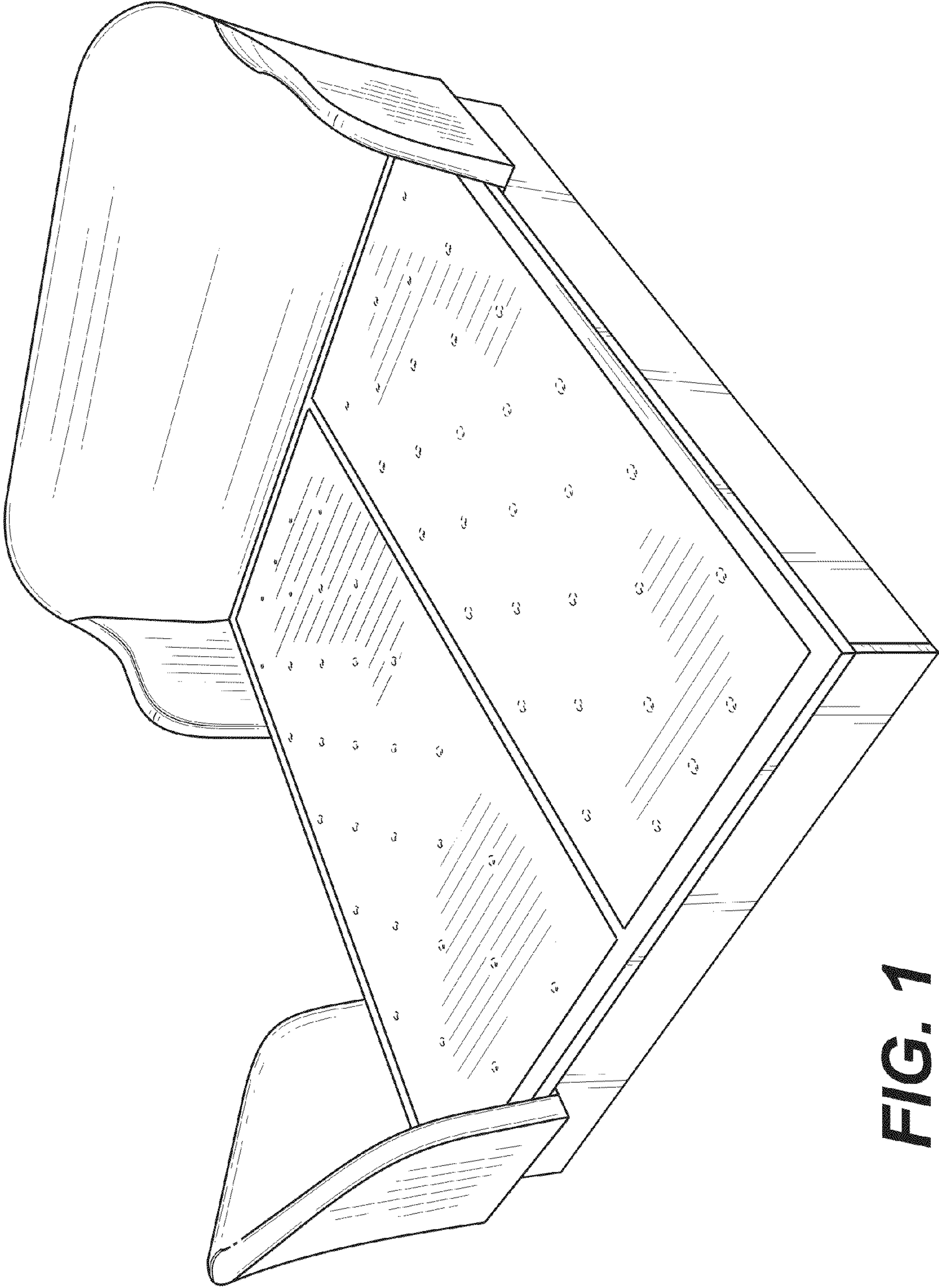


FIG. 1

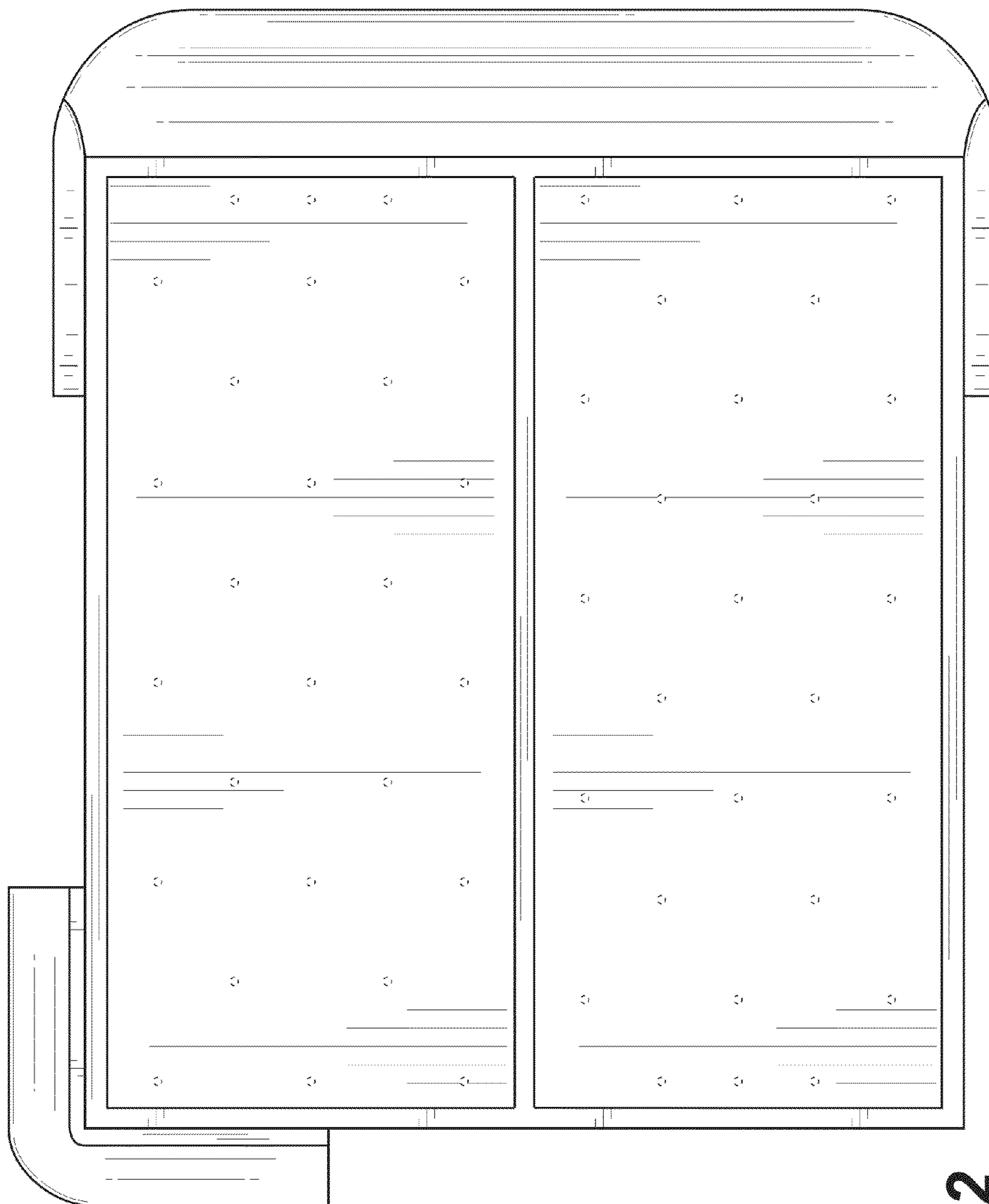


FIG. 2

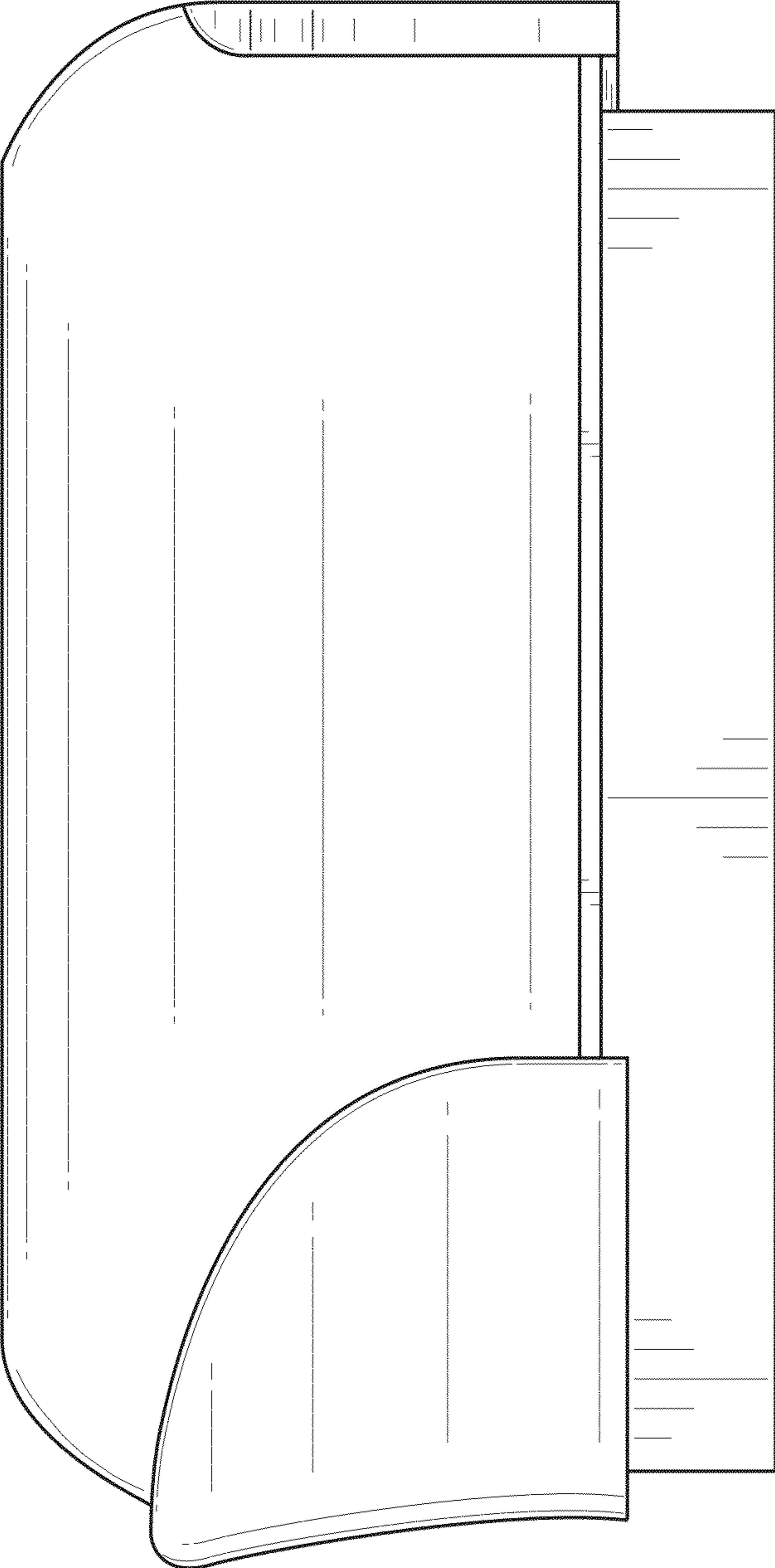


FIG. 3

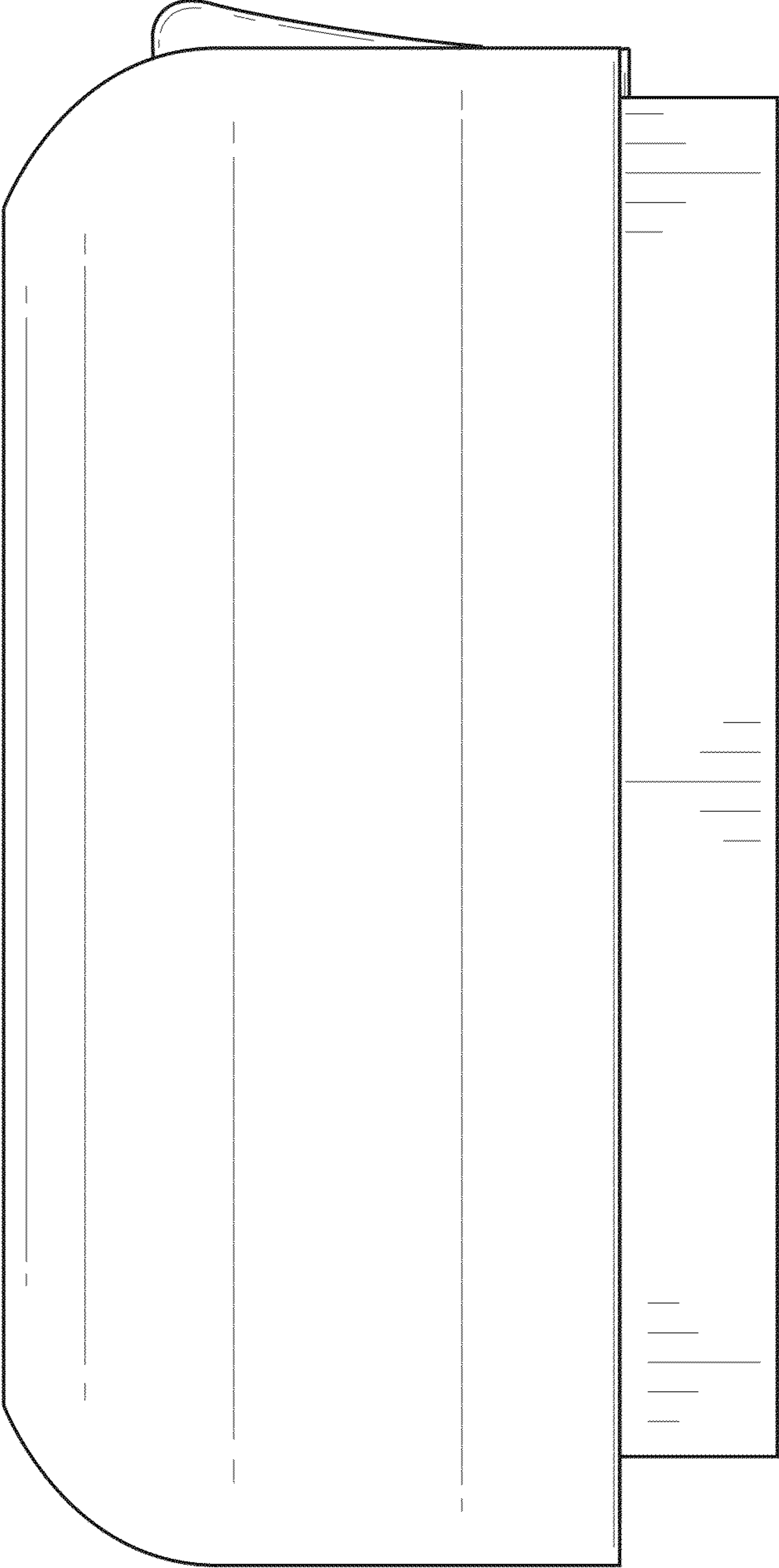


FIG. 4

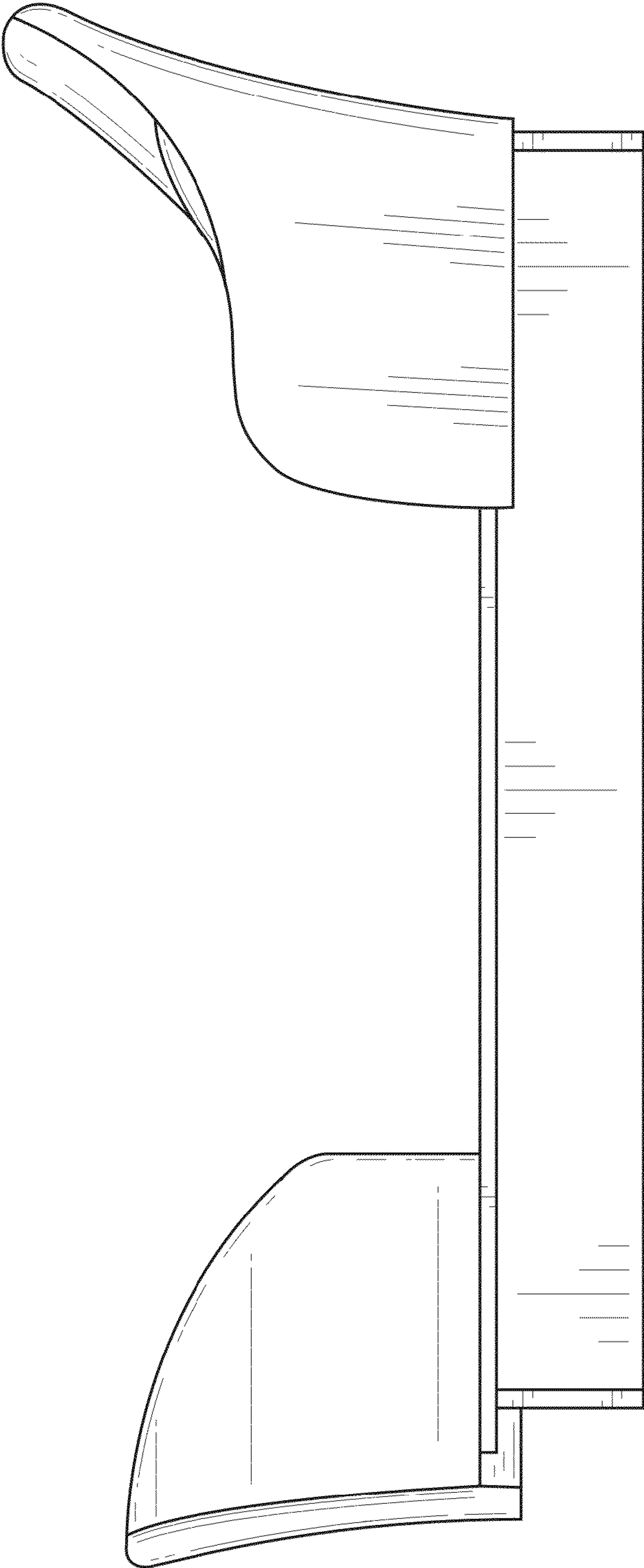


FIG. 5

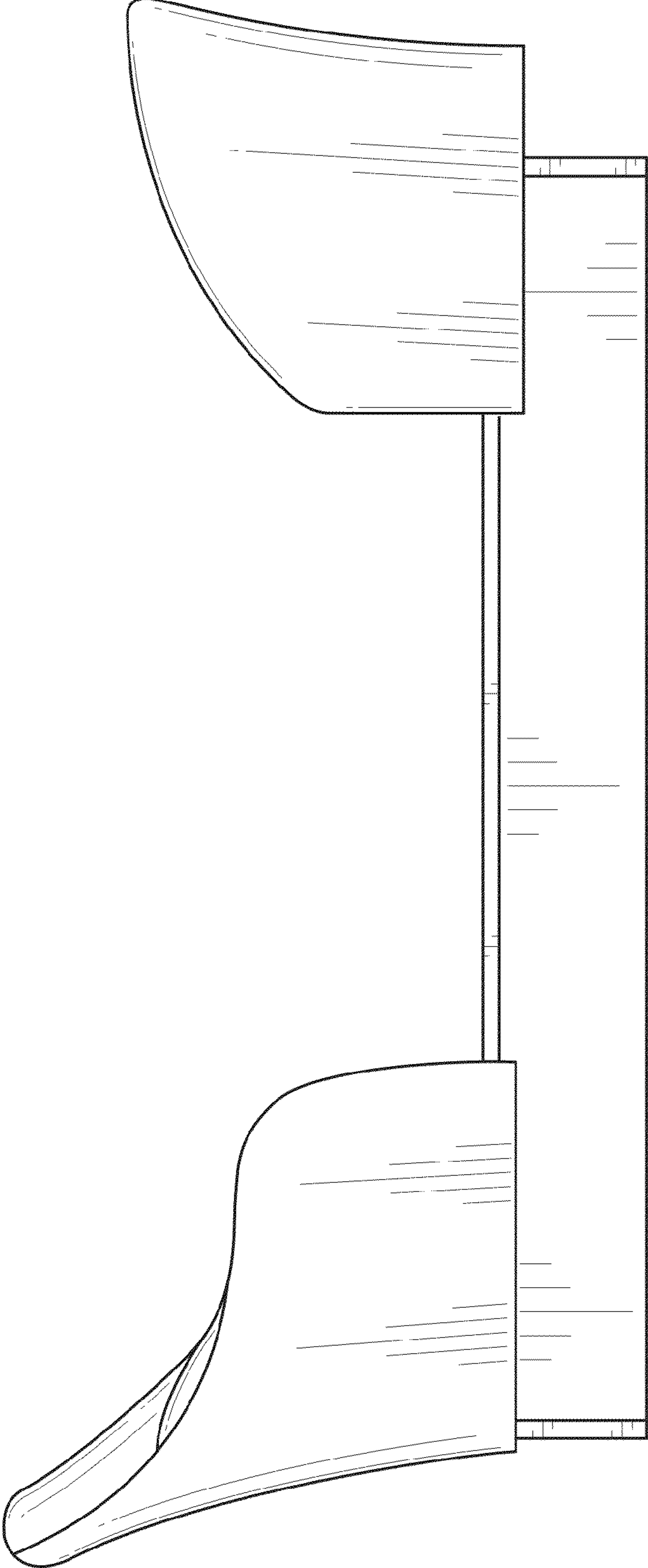


FIG. 6

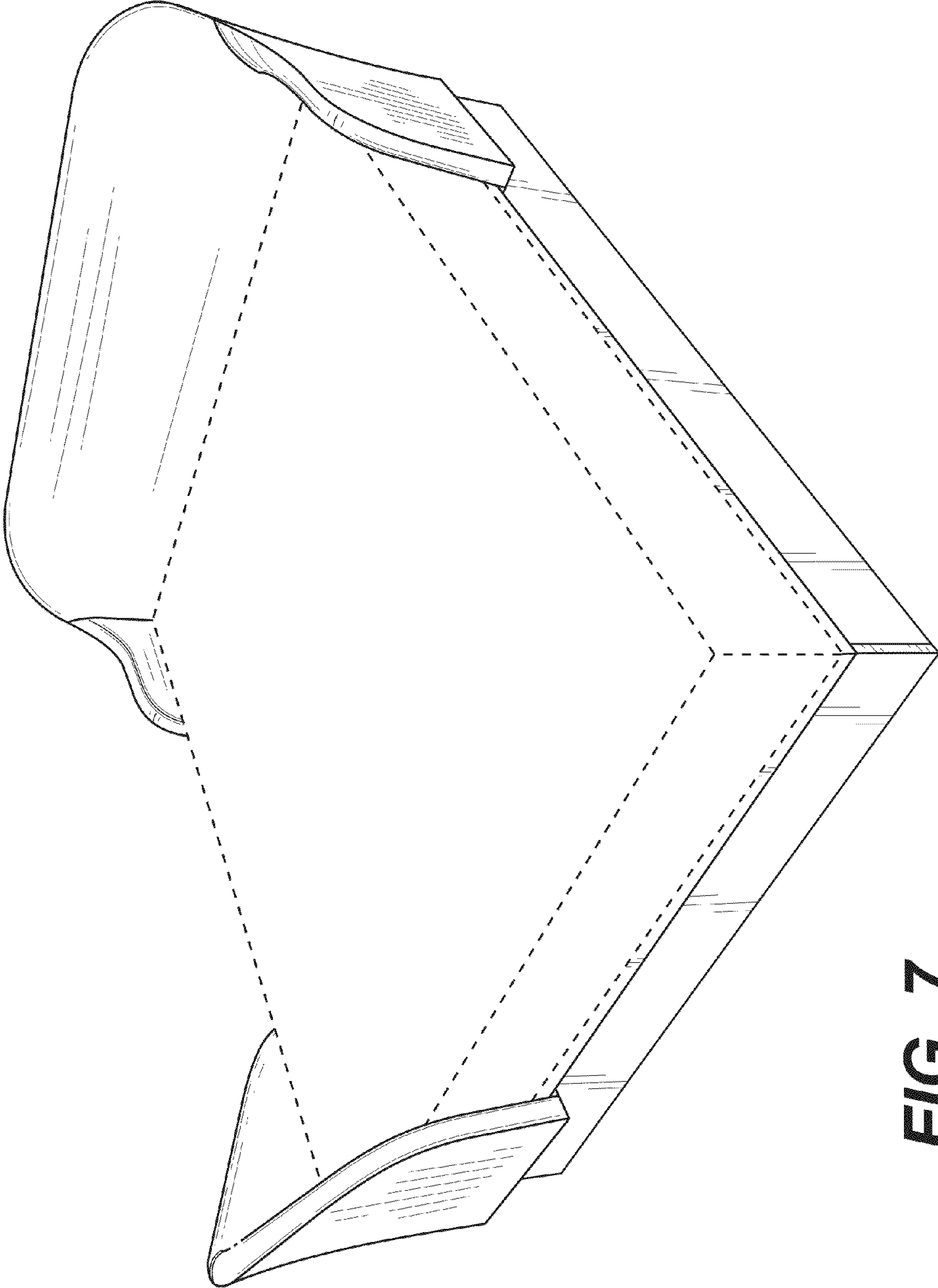


FIG. 7

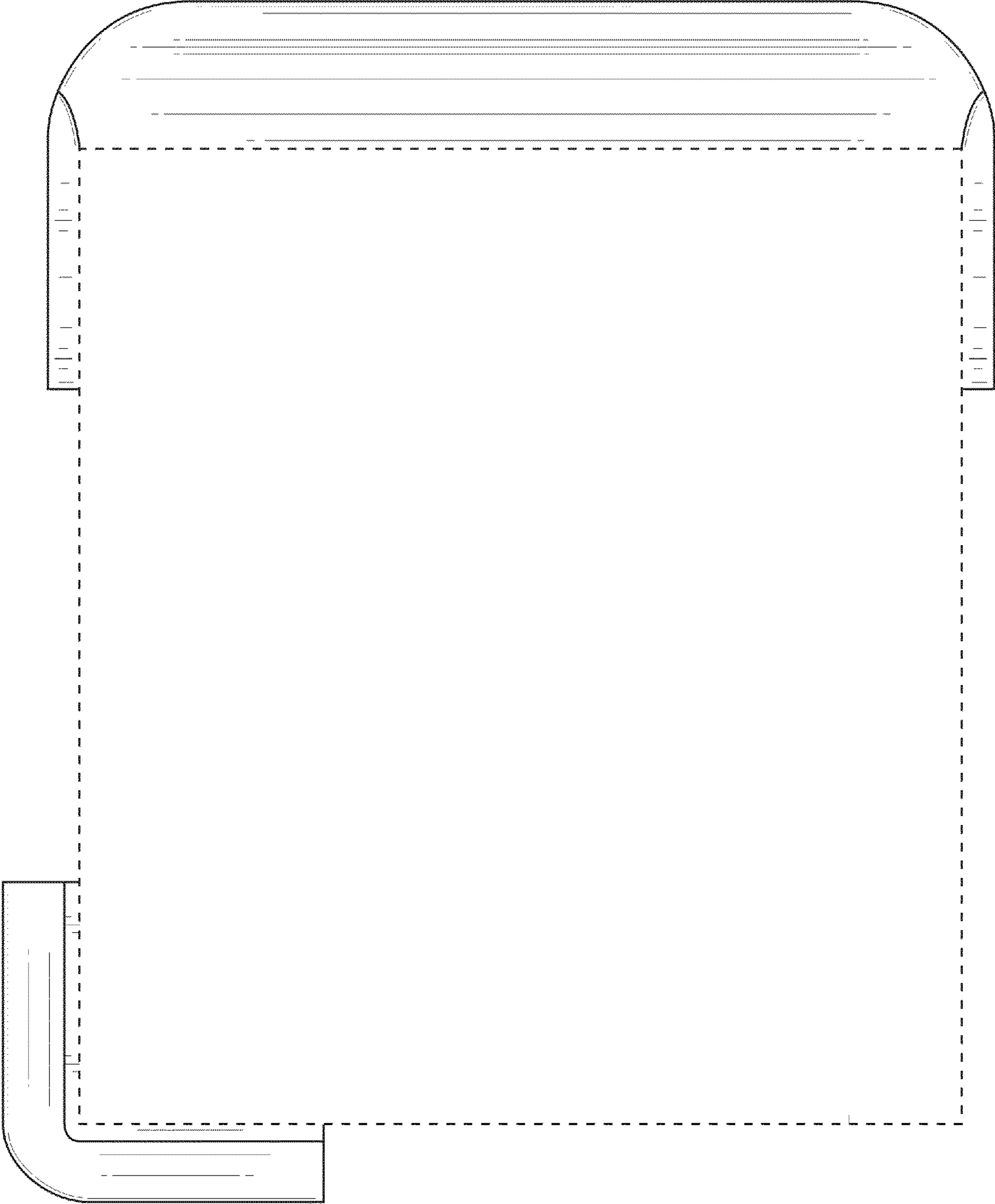


FIG. 8

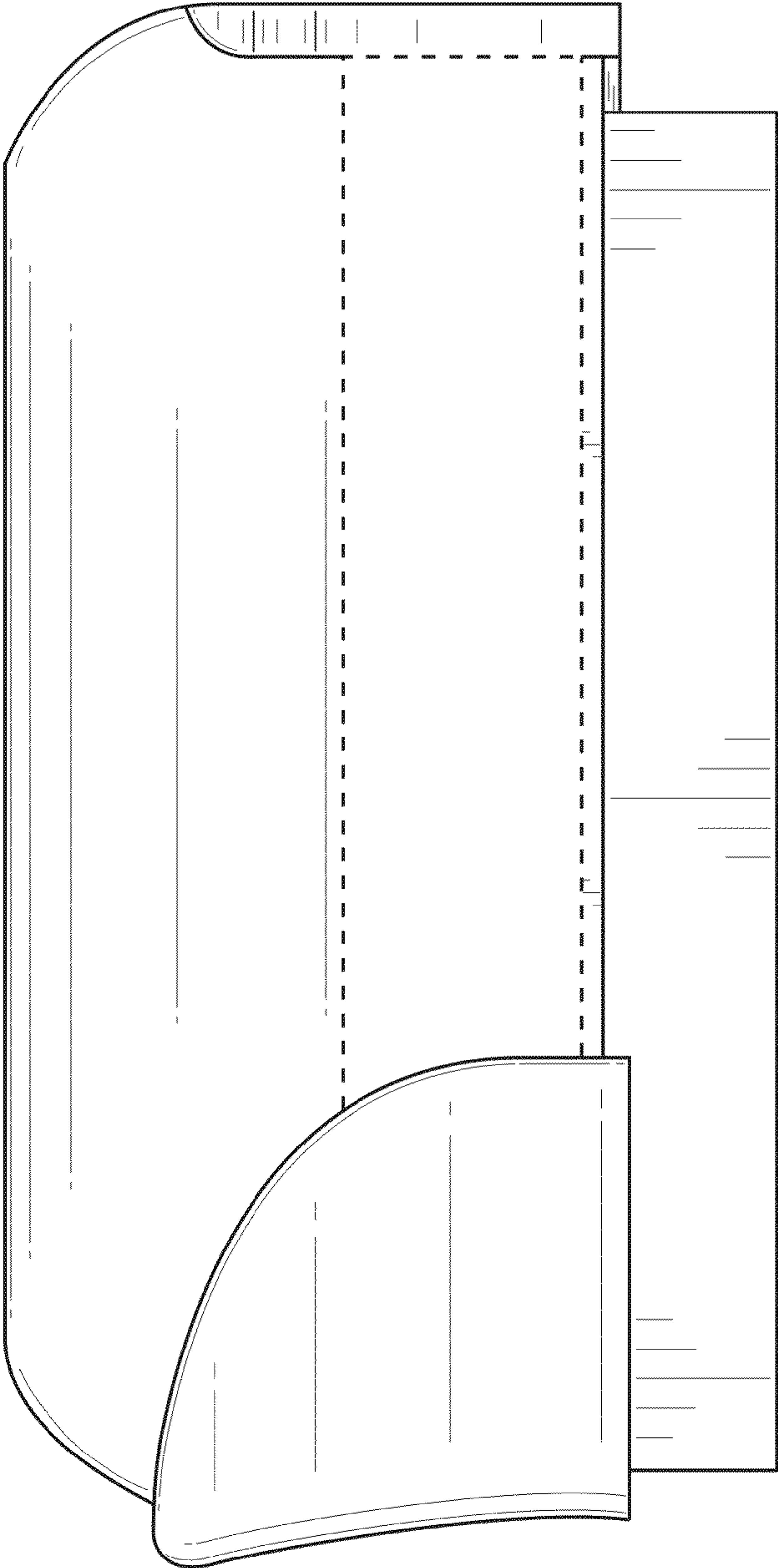


FIG. 9

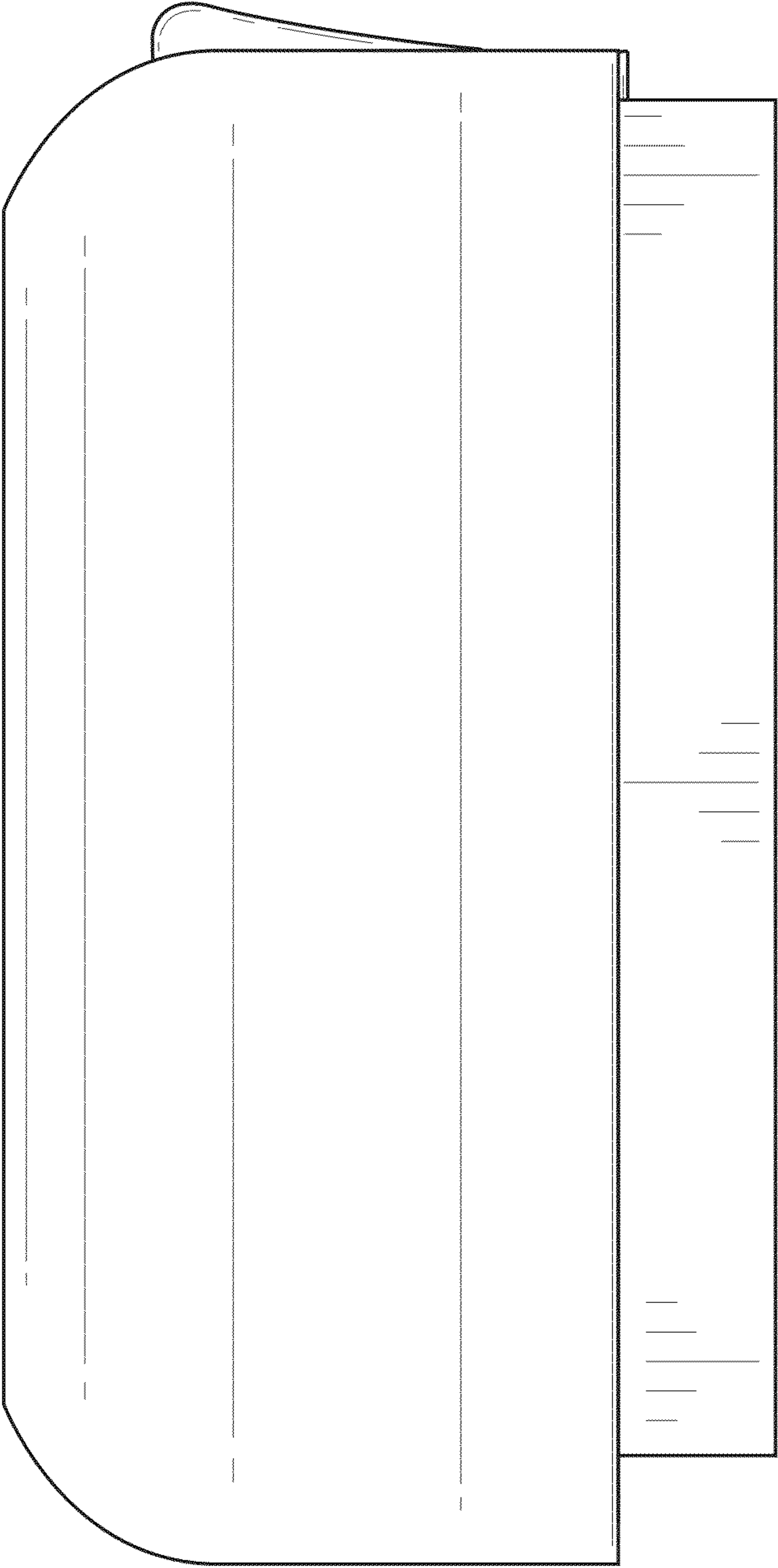


FIG. 10

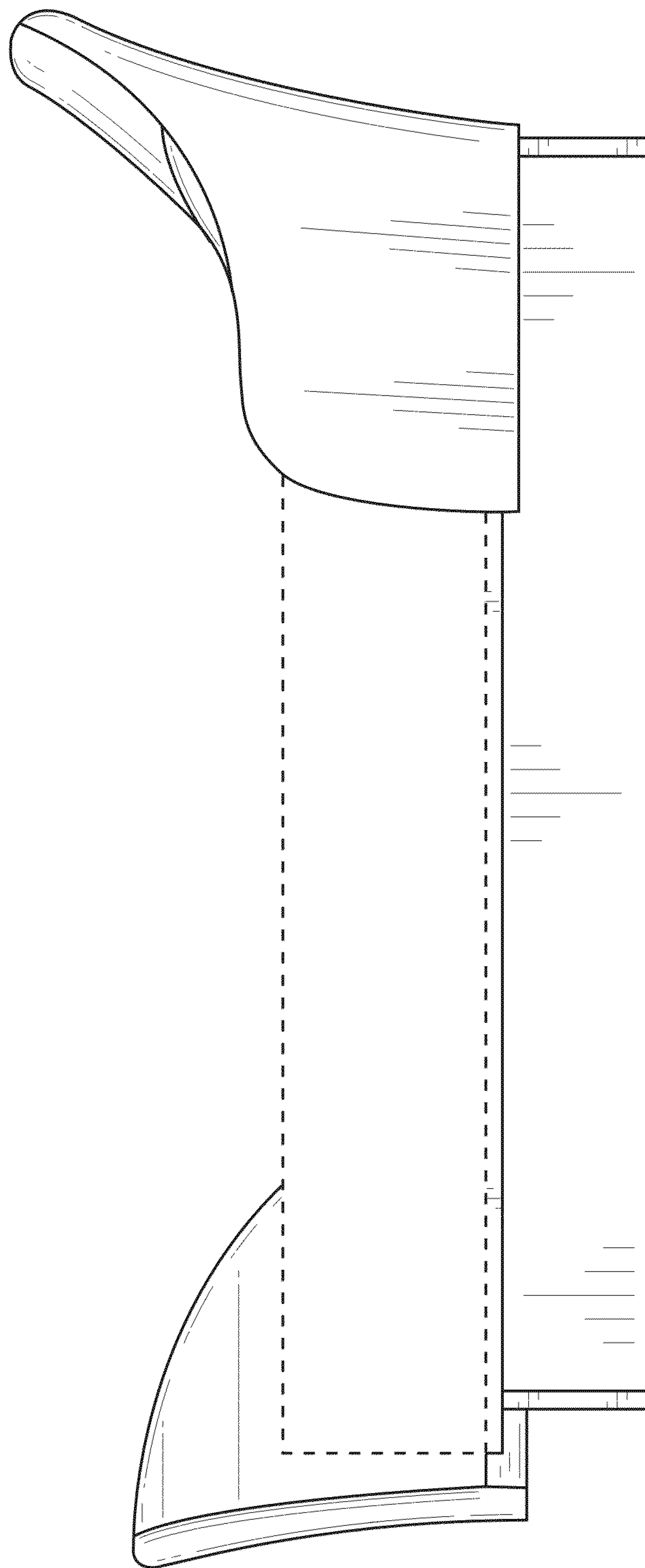


FIG. 11

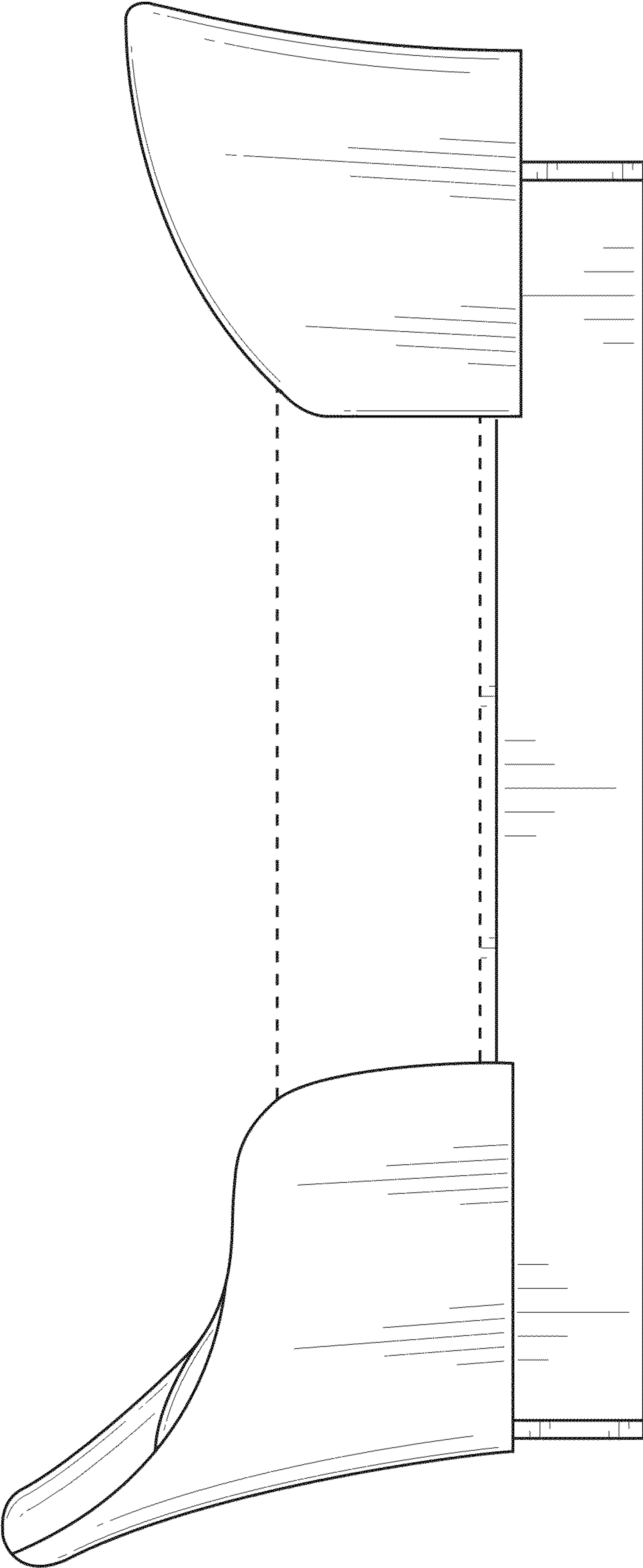


FIG. 12

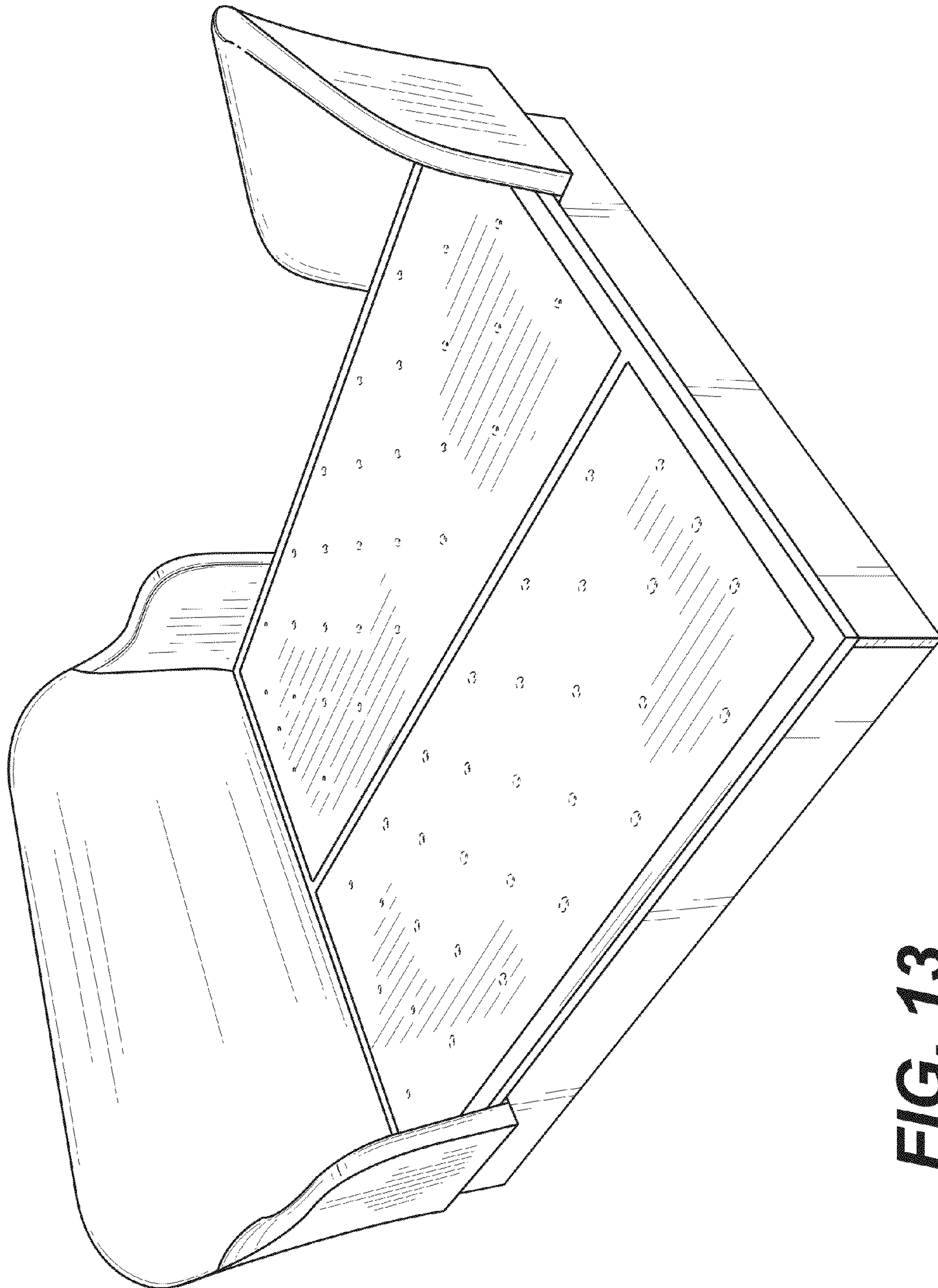


FIG. 13



FIG. 14

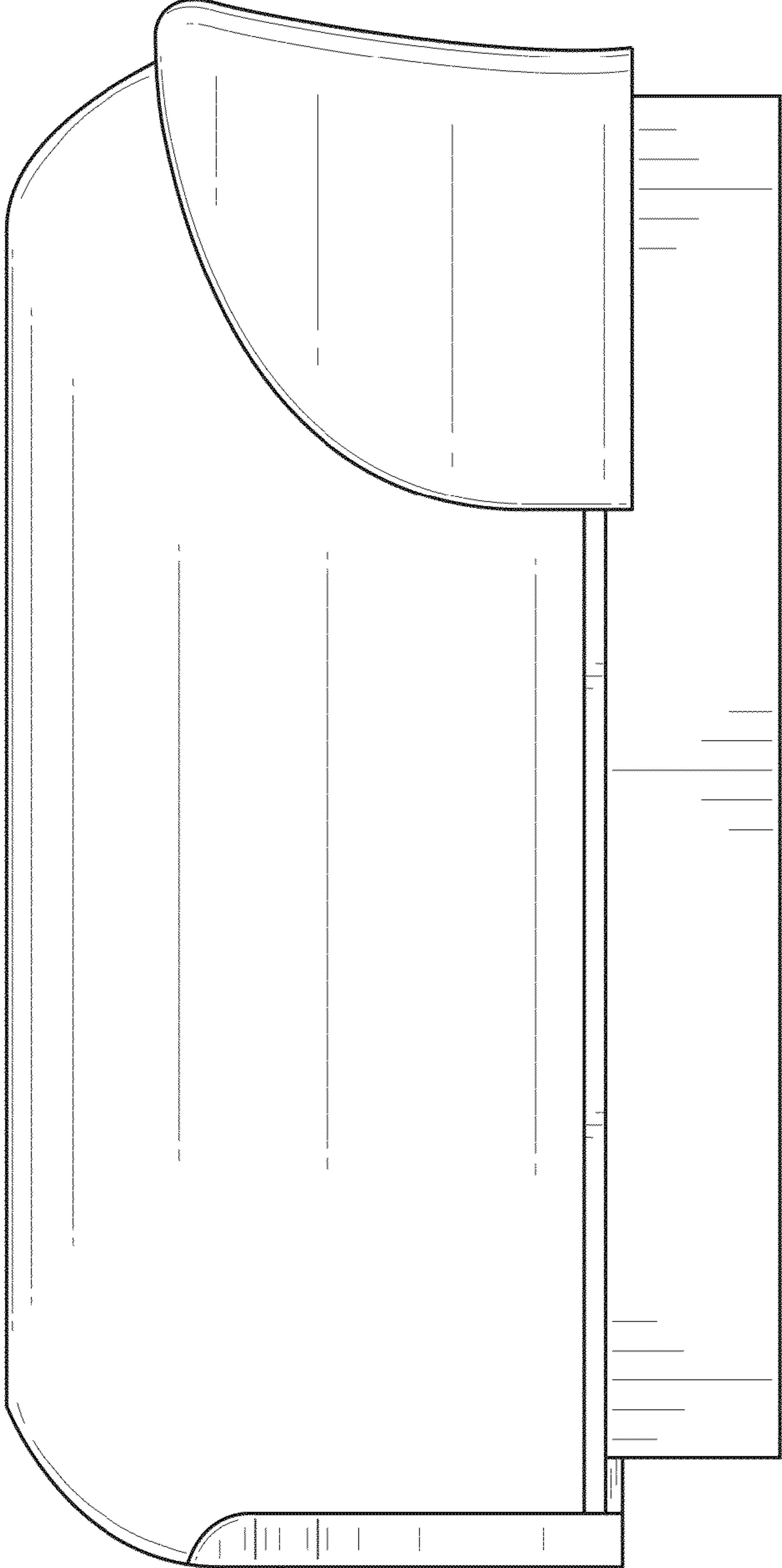


FIG. 15

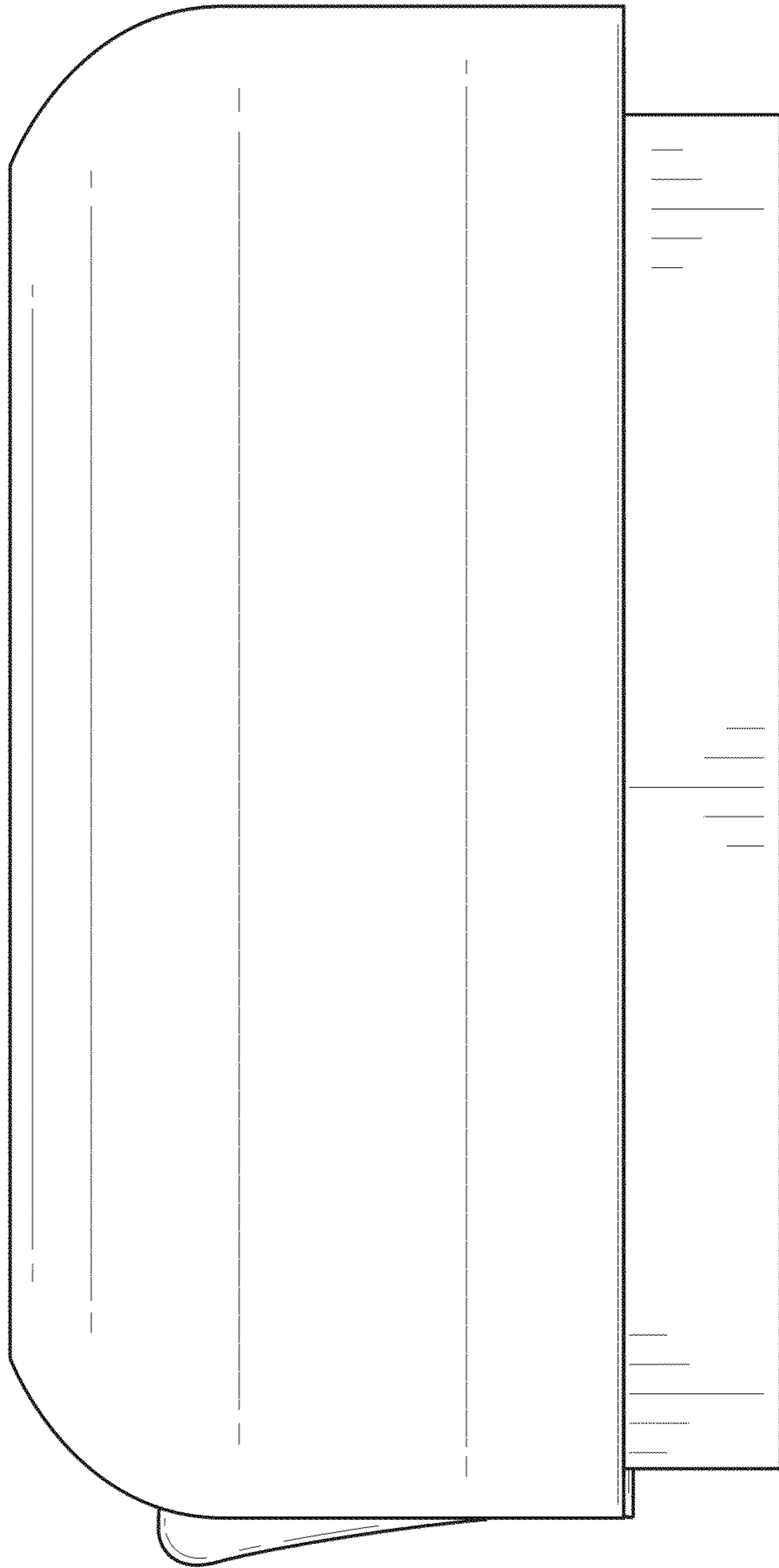


FIG. 16

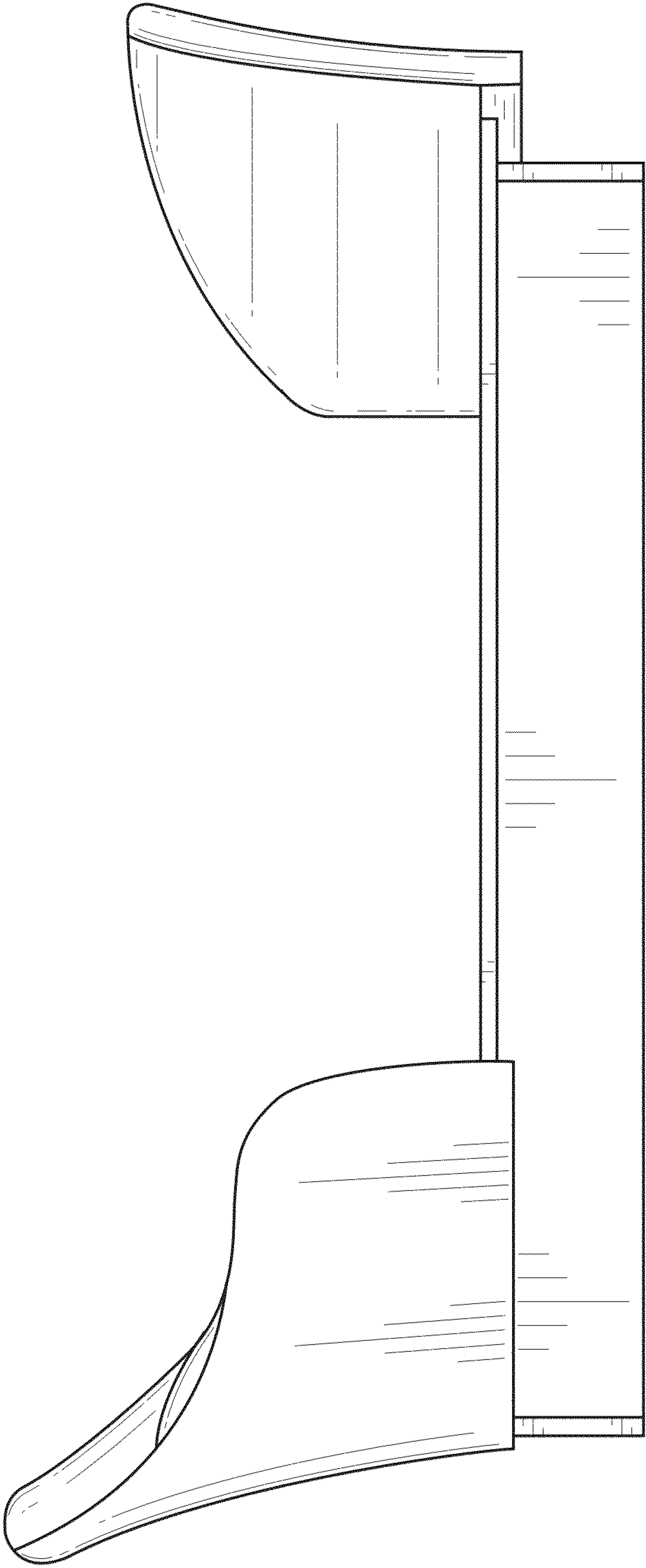


FIG. 17

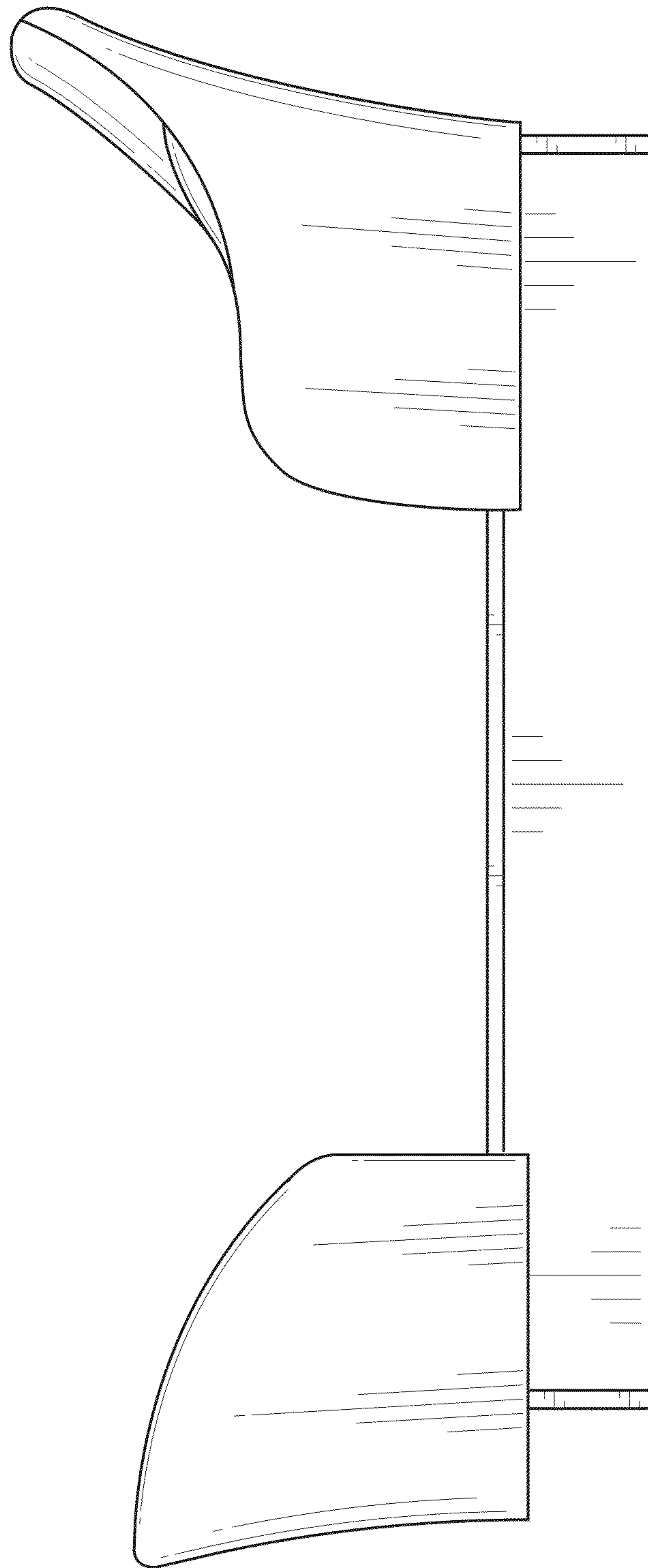


FIG. 18

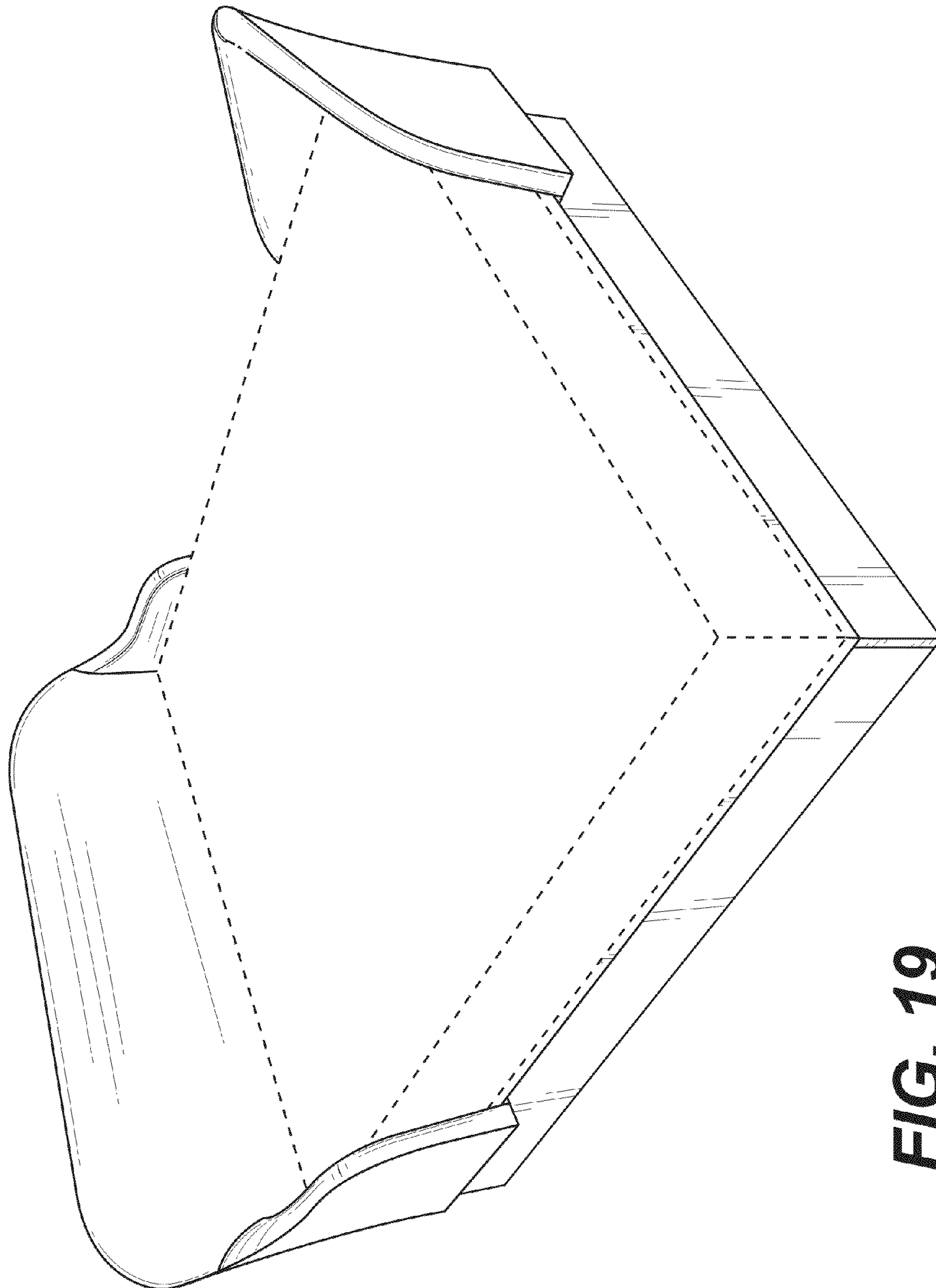


FIG. 19

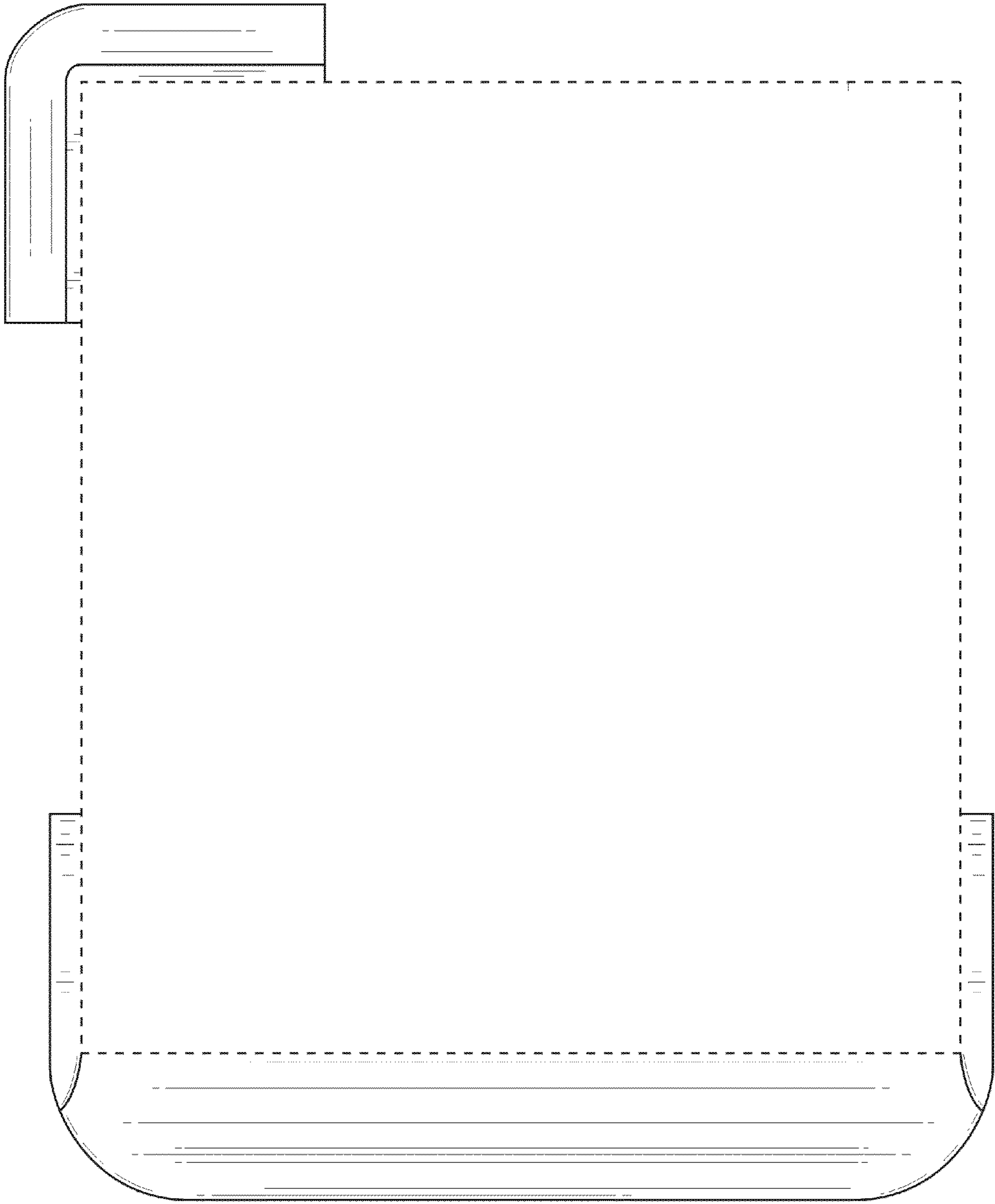


FIG. 20

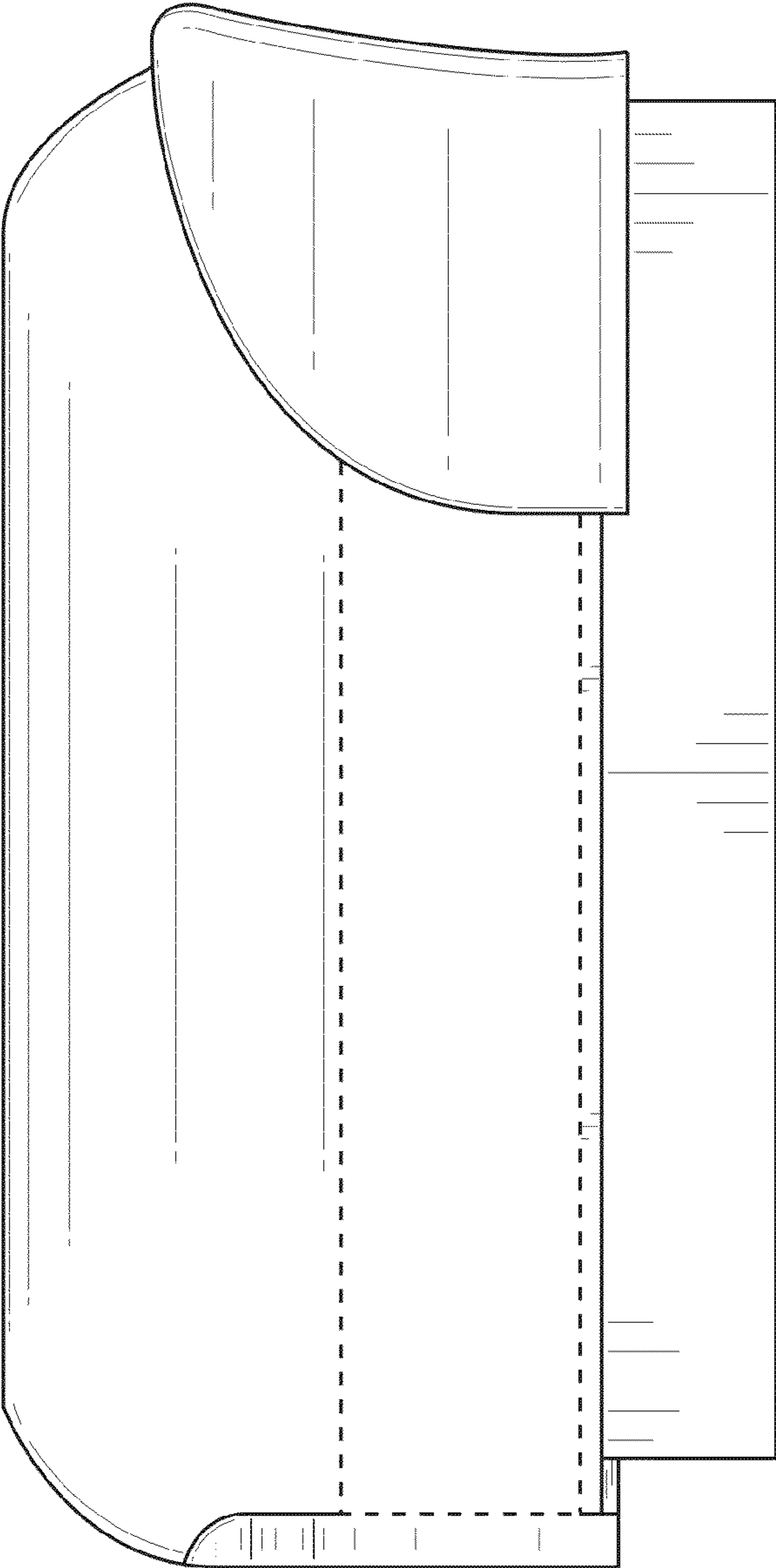


FIG. 21

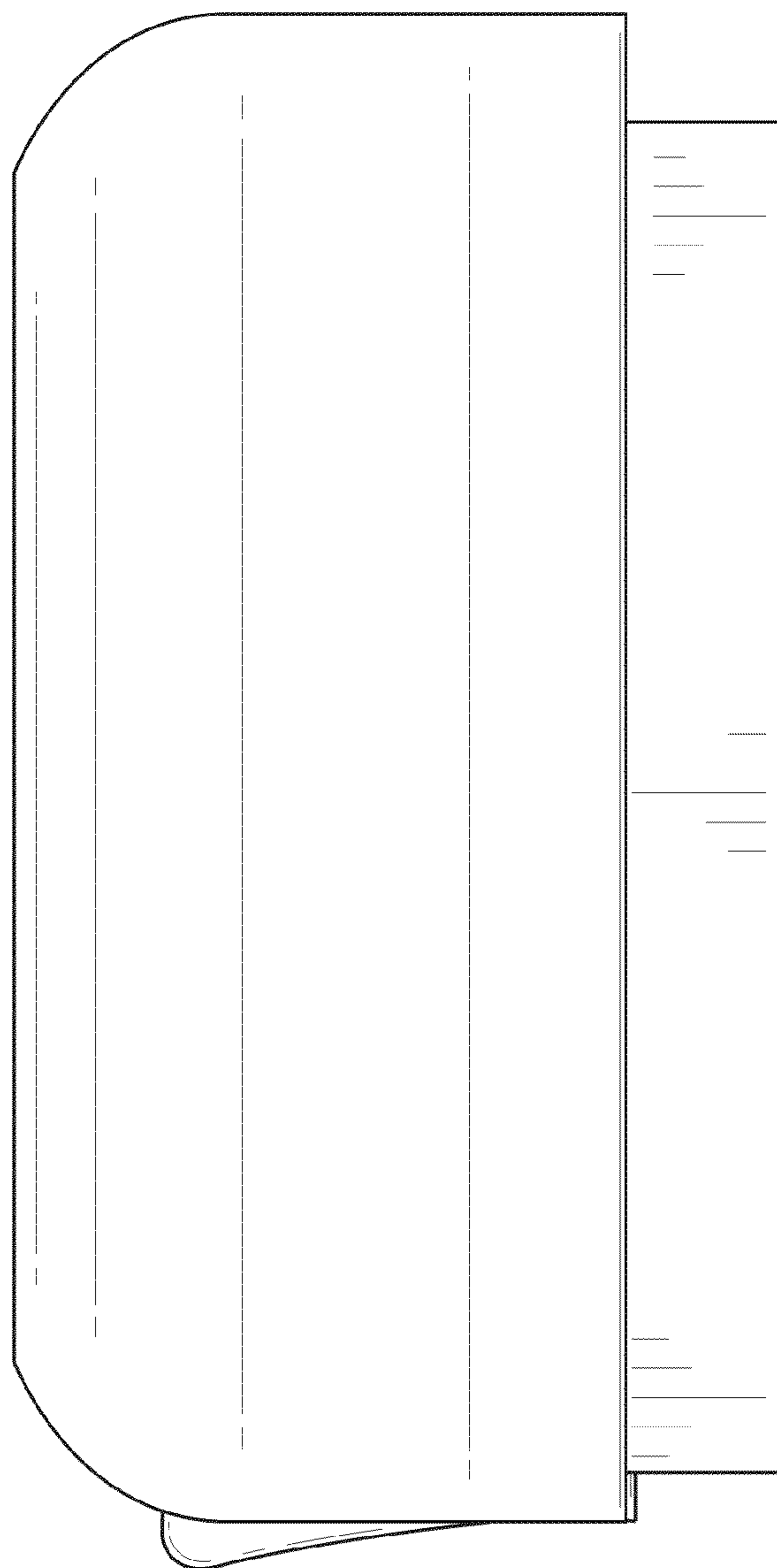


FIG. 22

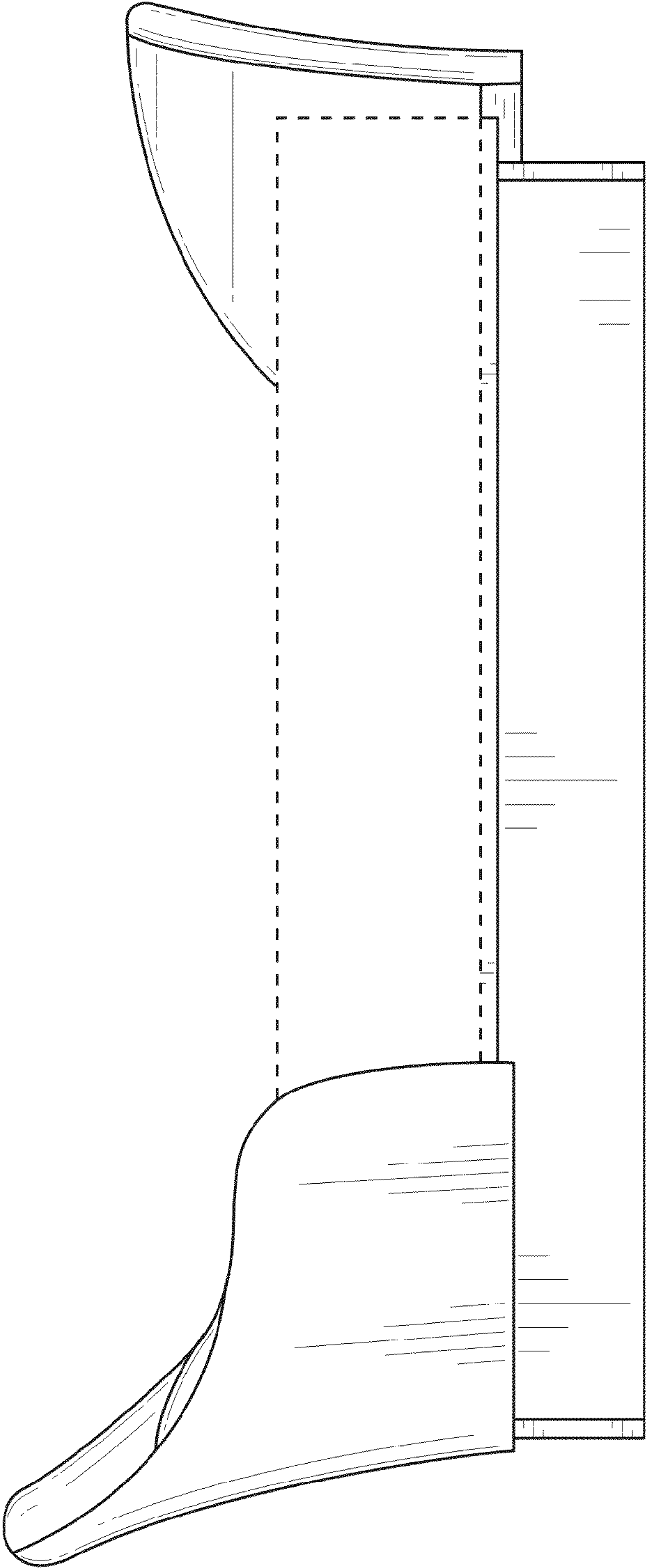


FIG. 23

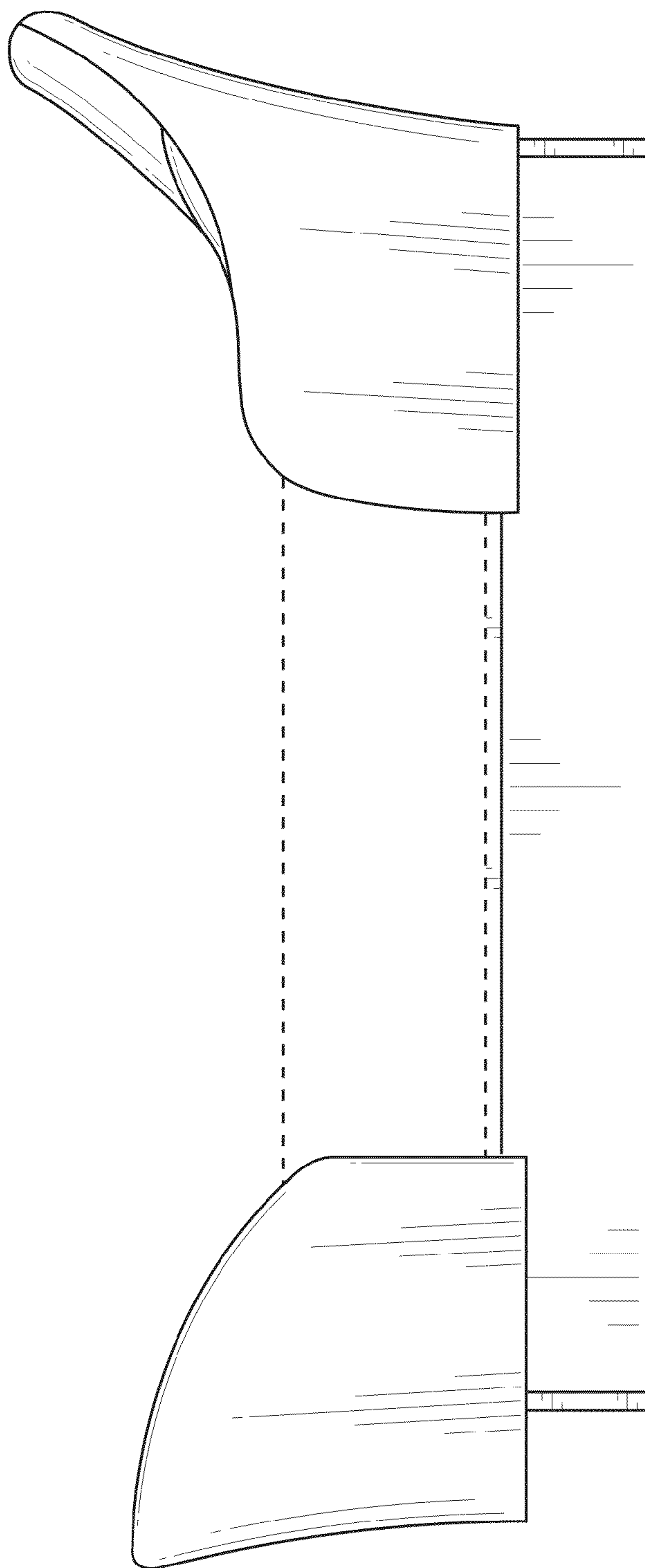


FIG. 24