

US00D727050S

(12) **United States Design Patent**
Xiong

(10) **Patent No.:** **US D727,050 S**

(45) **Date of Patent:** **** Apr. 21, 2015**

(54) **SOFA**

(71) Applicant: **Wanli Xiong**, Beijing (CN)

(72) Inventor: **Wanli Xiong**, Beijing (CN)

(**) Term: **14 Years**

(21) Appl. No.: **29/477,684**

(22) Filed: **Dec. 25, 2013**

(51) **LOC (10) Cl.** **06-01**

(52) **U.S. Cl.**
USPC **D6/371**

(58) **Field of Classification Search**
USPC D6/310, 334-336, 344-356, 358,
D6/360-381, 388, 403, 491-502, 596, 692,
D6/708, 709.2, 711.1, 716, 716.2-716.4,
D6/717; 297/105, 239, 244, 285, 440.12,
297/440.15-440.23, 445.1, 446.2, 447.1,
297/448.1, 452.12, 452.18, 452.2, 452.21,
297/452.38, 452.48, 452.57, 452.64

See application file for complete search history.

(56) **References Cited**

U.S. PATENT DOCUMENTS

2,693,846 A * 11/1954 Luttio 297/105
3,717,377 A * 2/1973 Johnson 297/440.12

D395,557 S *	6/1998	Smith	D6/334
D571,114 S *	6/2008	Miyakawa	D6/368
D573,380 S *	7/2008	Lentin	D6/502
D586,140 S *	2/2009	Massaud	D6/369
D602,274 S *	10/2009	Peng	D6/369
D621,628 S *	8/2010	Saul	D6/335
D646,072 S *	10/2011	Katina	D6/374
D670,508 S *	11/2012	Barber	D6/364
D716,573 S *	11/2014	Adjaye	D6/364

* cited by examiner

Primary Examiner — Ricky Pham

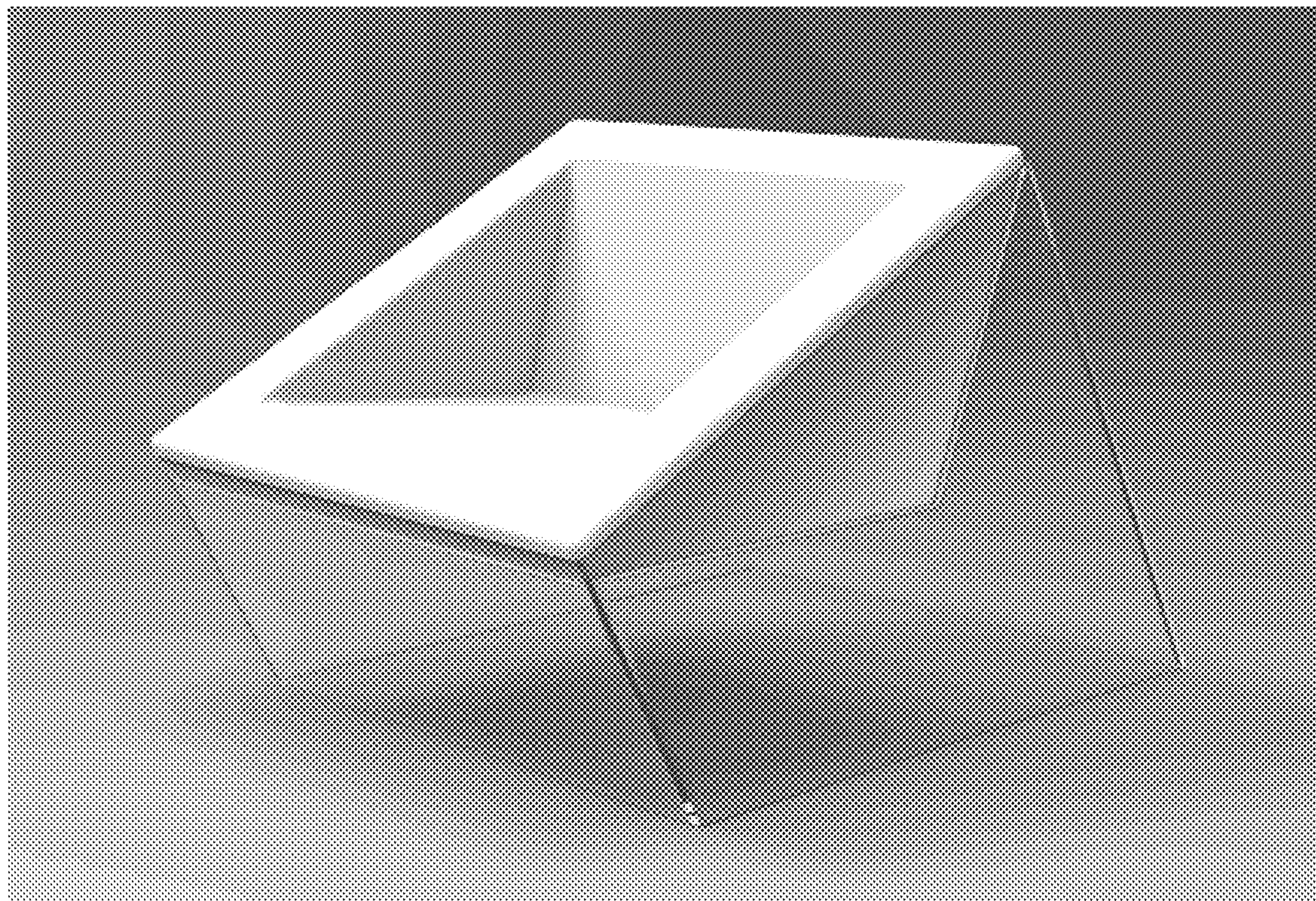
(57) **CLAIM**

The ornamental design for a sofa, as shown.

DESCRIPTION

FIG. 1 is a perspective view of a sofa showing my new design;
FIG. 2 is a front view thereof;
FIG. 3 is a rear view thereof;
FIG. 4 is a left elevation view thereof;
FIG. 5 is a right elevation view thereof;
FIG. 6 is a top plan view thereof;
FIG. 7 is bottom plan view thereof; and,
FIG. 8 is an exploded view there of.

1 Claim, 6 Drawing Sheets



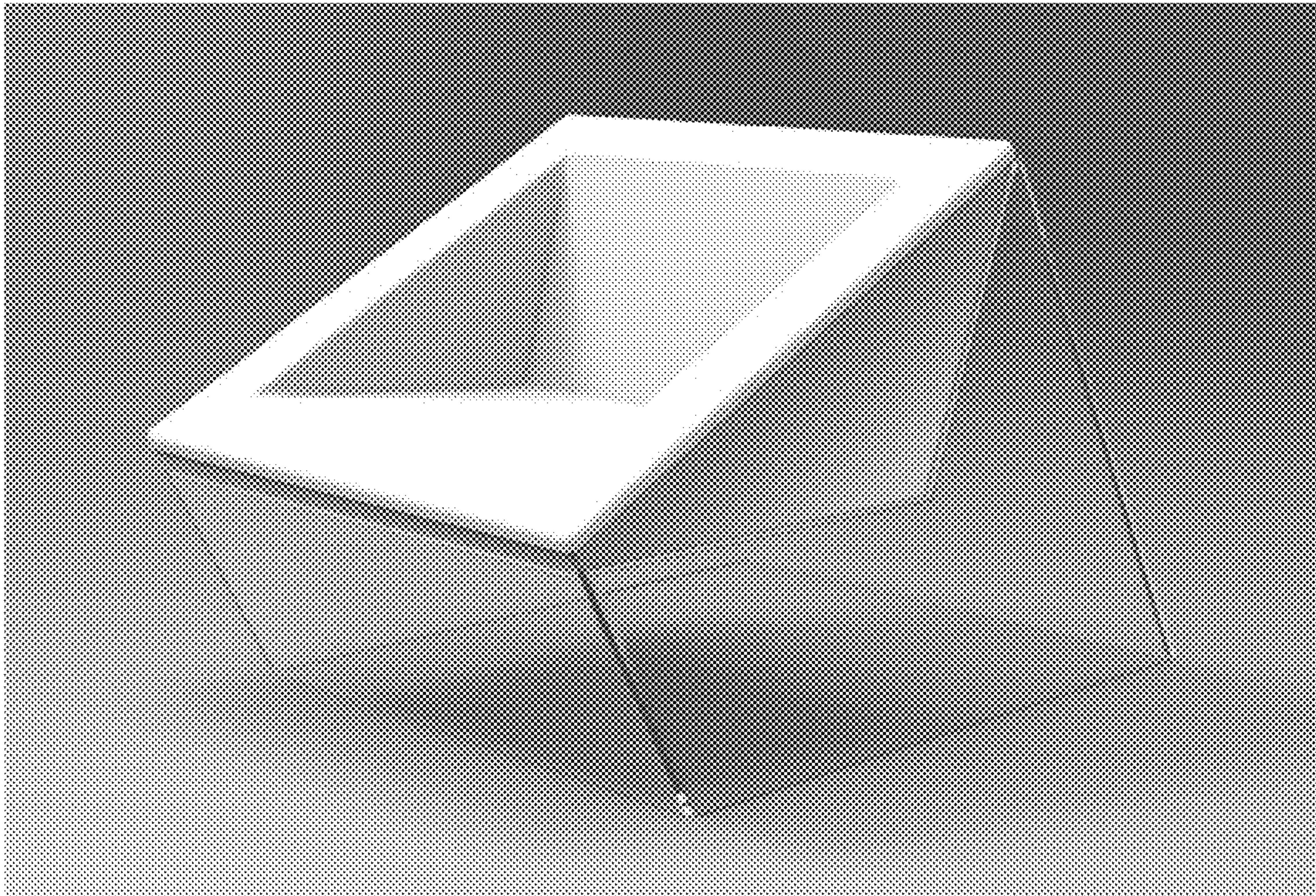


FIG. 1

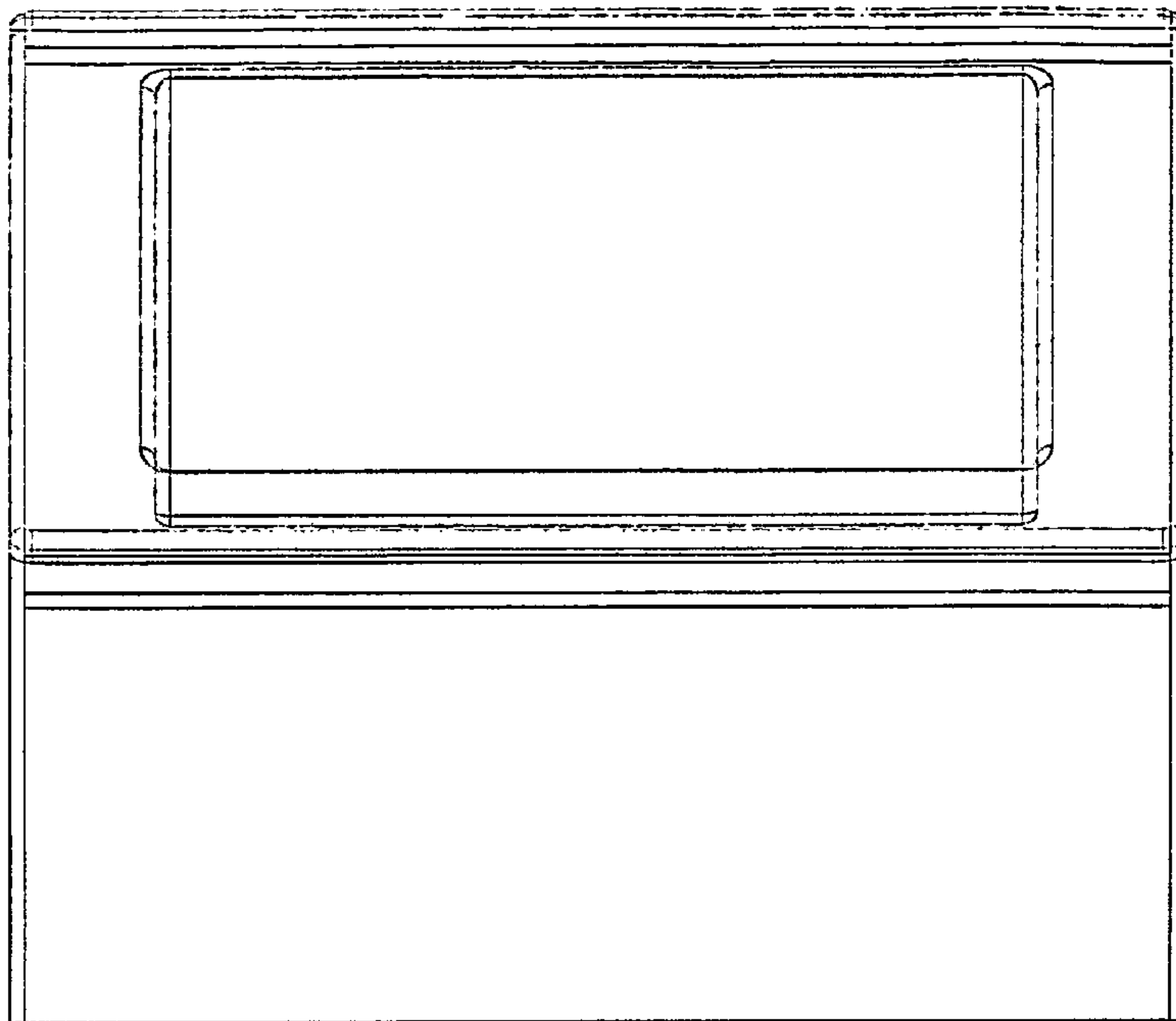


FIG. 2

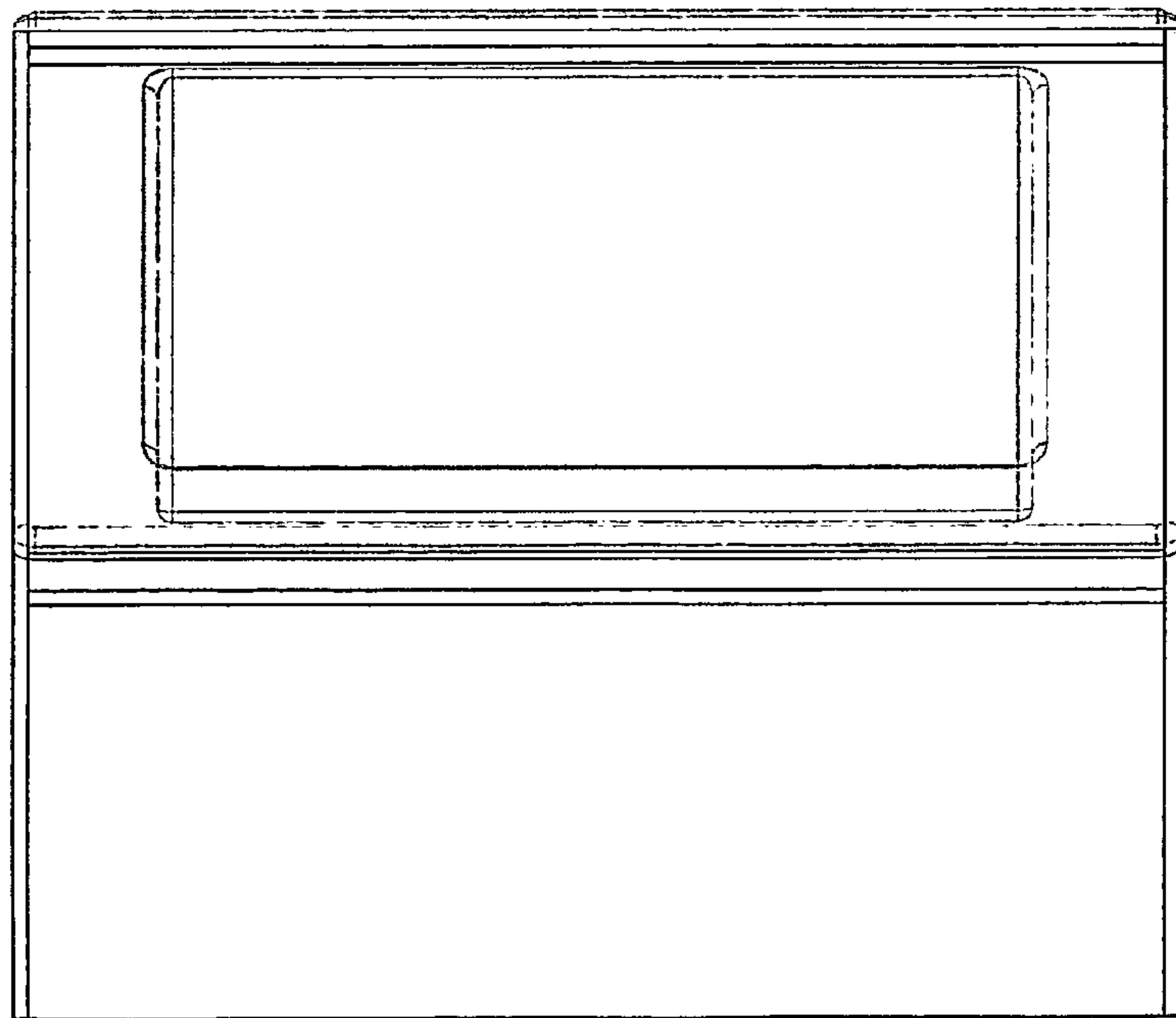


FIG. 3

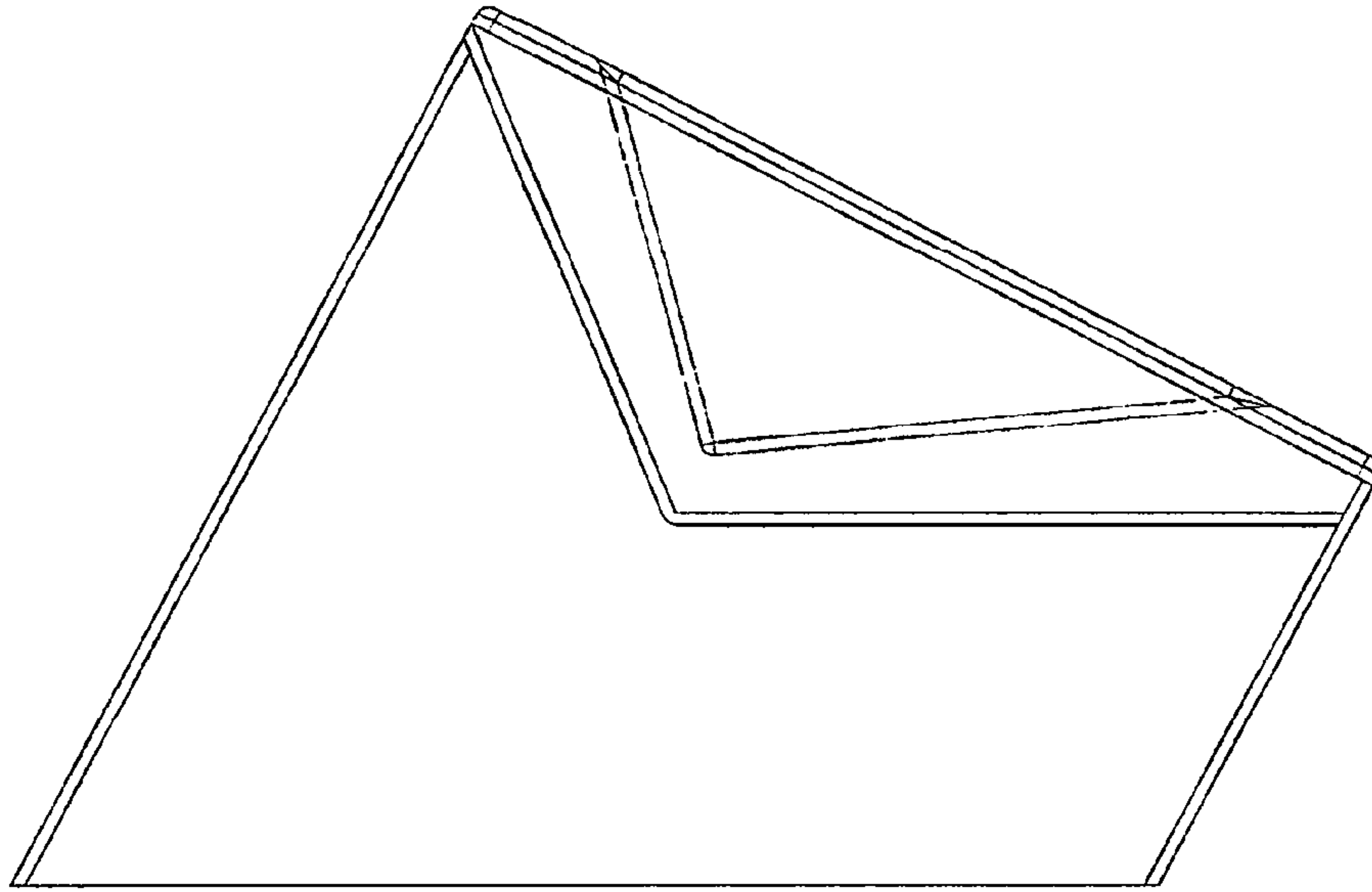


FIG. 4

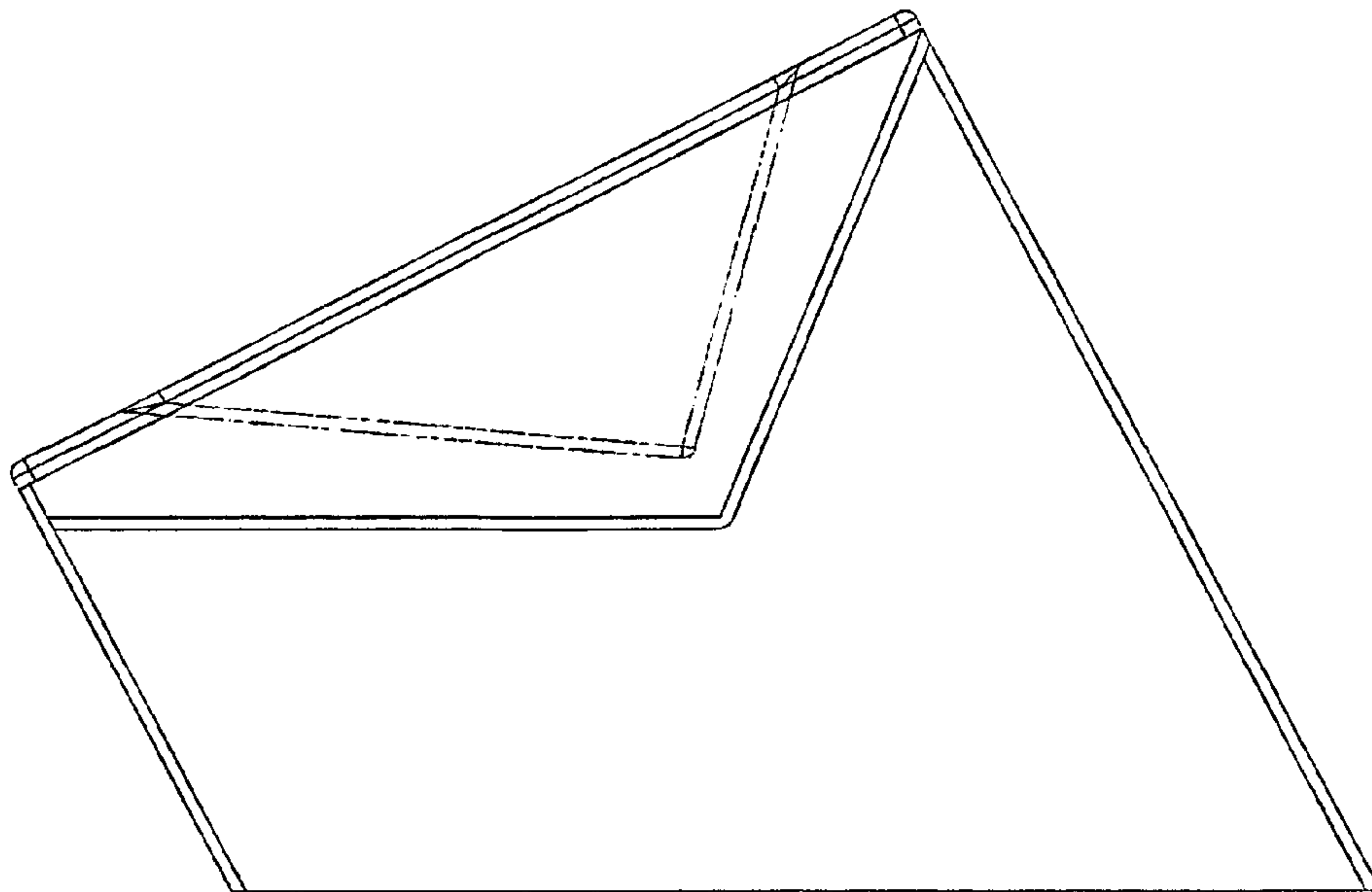


FIG. 5

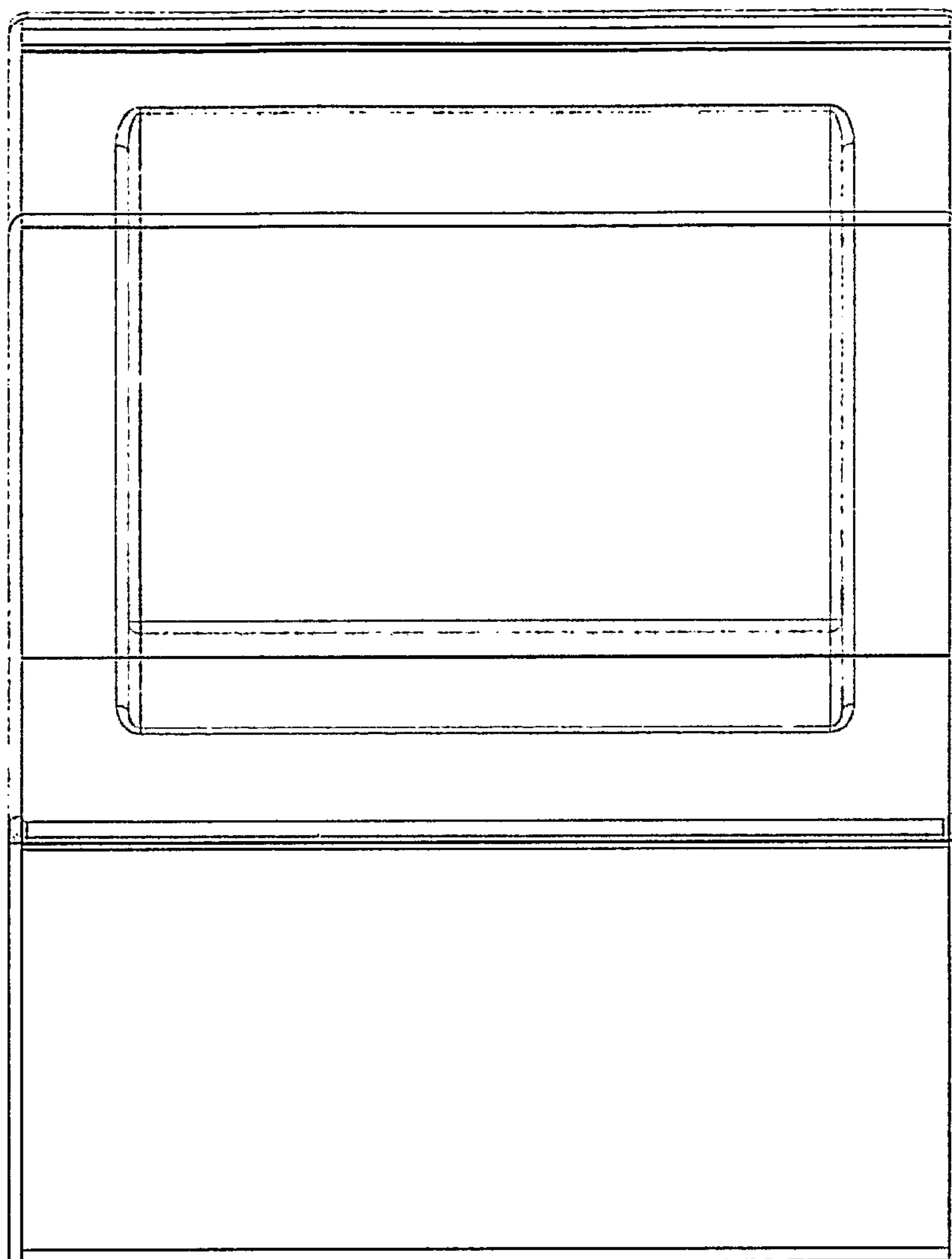


FIG. 6

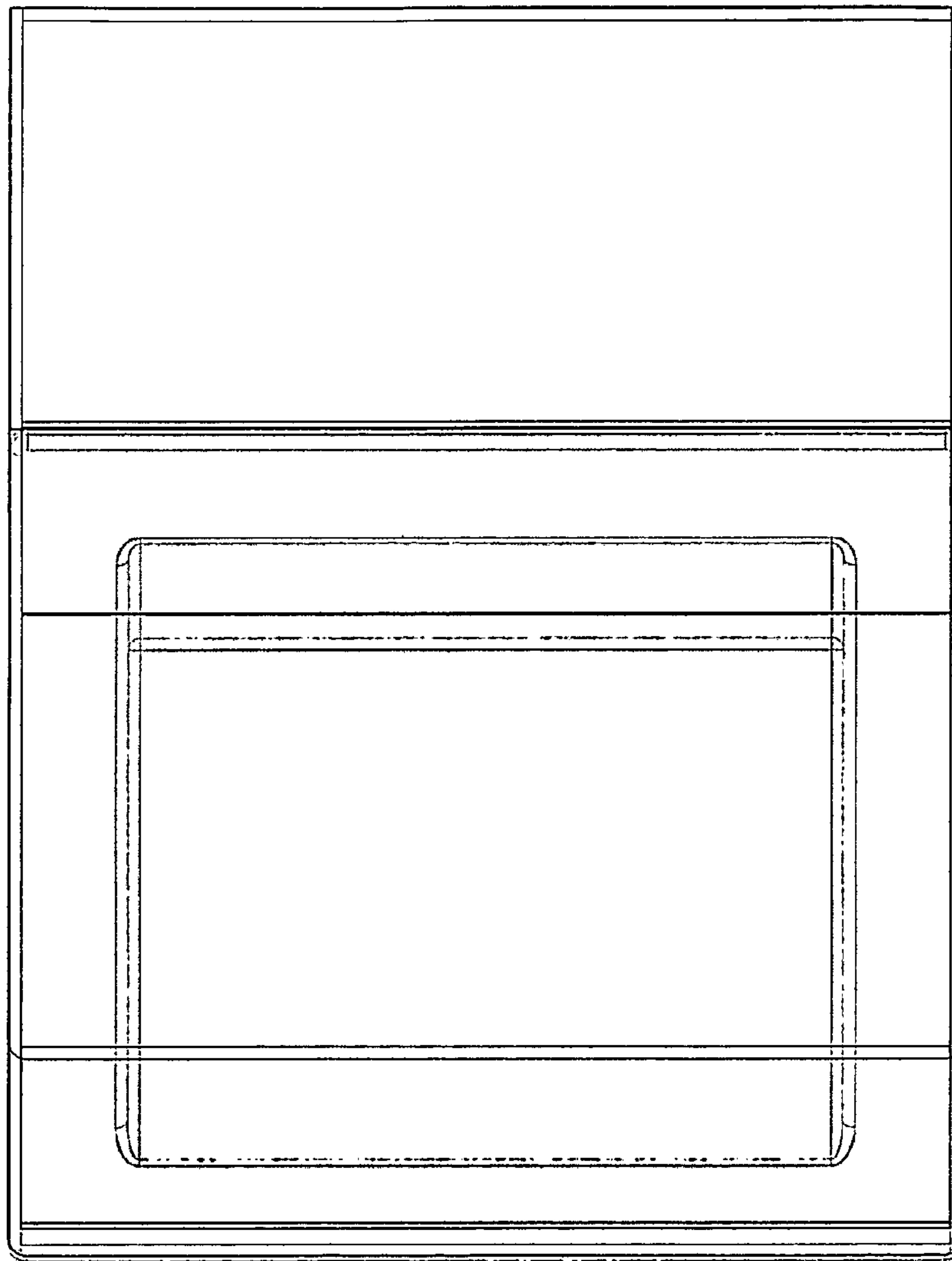


FIG. 7

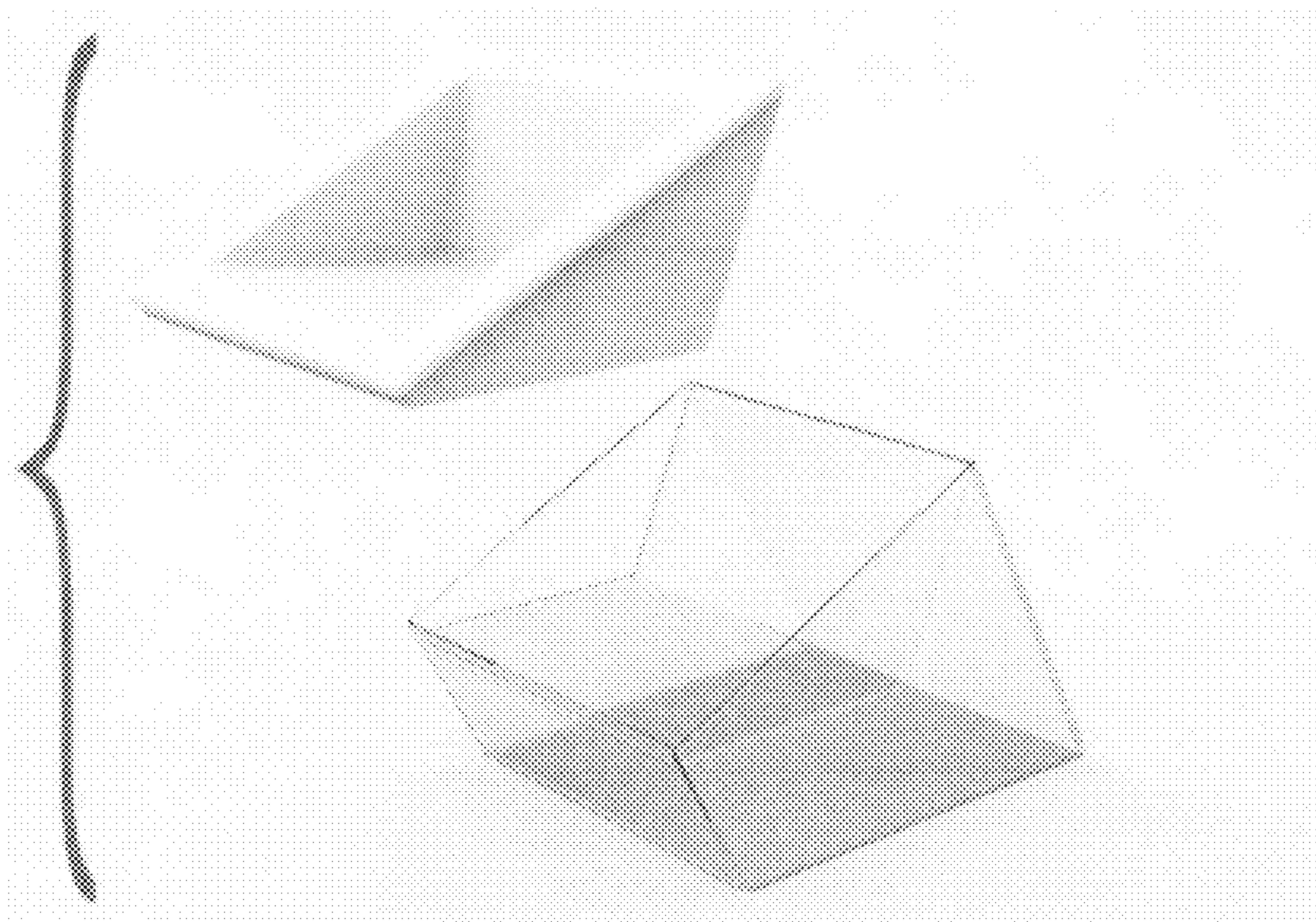


FIG. 8