



US00D727046S

(12) **United States Design Patent**  
**Alexander**

(10) **Patent No.:** **US D727,046 S**  
(45) **Date of Patent:** **\*\* Apr. 21, 2015**

(54) **BOAT SEAT**

(71) Applicant: **Bill W. Alexander**, Pearl, MS (US)  
(72) Inventor: **Bill W. Alexander**, Pearl, MS (US)  
(73) Assignee: **Millennium Outdoors, LLC**, Pearl, MS (US)

(\*\*) Term: **14 Years**

(21) Appl. No.: **29/496,731**

(22) Filed: **Jul. 16, 2014**

(51) **LOC (10) CI.** ..... **06-01**

(52) **U.S. Cl.**  
USPC ..... **D6/356; D6/368**

(58) **Field of Classification Search**  
CPC ..... A47C 1/146; A47C 1/16; A47C 7/425;  
B60N 2/20  
USPC ..... D6/334, 356, 360, 364, 374, 376, 379,  
D6/716; 312/350, 351, 378.1, 378.12, 380,  
312/382

See application file for complete search history.

(56) **References Cited**

**U.S. PATENT DOCUMENTS**

1,161,420 A \* 11/1915 Snelling ..... A47C 1/16  
1,963,708 A \* 6/1934 Marvin ..... A47C 1/146

2,457,978 A \* 1/1949 Curran ..... A47C 1/146  
2,825,391 A \* 3/1958 Underhill ..... A47C 4/52  
3,825,298 A \* 7/1974 Chipman ..... A47C 1/146  
4,775,182 A \* 10/1988 von Hoffman ..... A47C 1/146  
4,824,171 A \* 4/1989 Hollingsworth ..... A47C 1/146  
D329,148 S \* 9/1992 Hwang et al. .... D6/368  
D360,768 S \* 8/1995 Hwang et al. .... D6/368  
D421,190 S \* 2/2000 Sagastegui ..... D6/368  
D495,511 S \* 9/2004 Dingess et al. .... D6/368

\* cited by examiner

*Primary Examiner* — Mimoso De

(74) *Attorney, Agent, or Firm* — Angela Holt; Bradley Arant  
Boult Cummings LLP

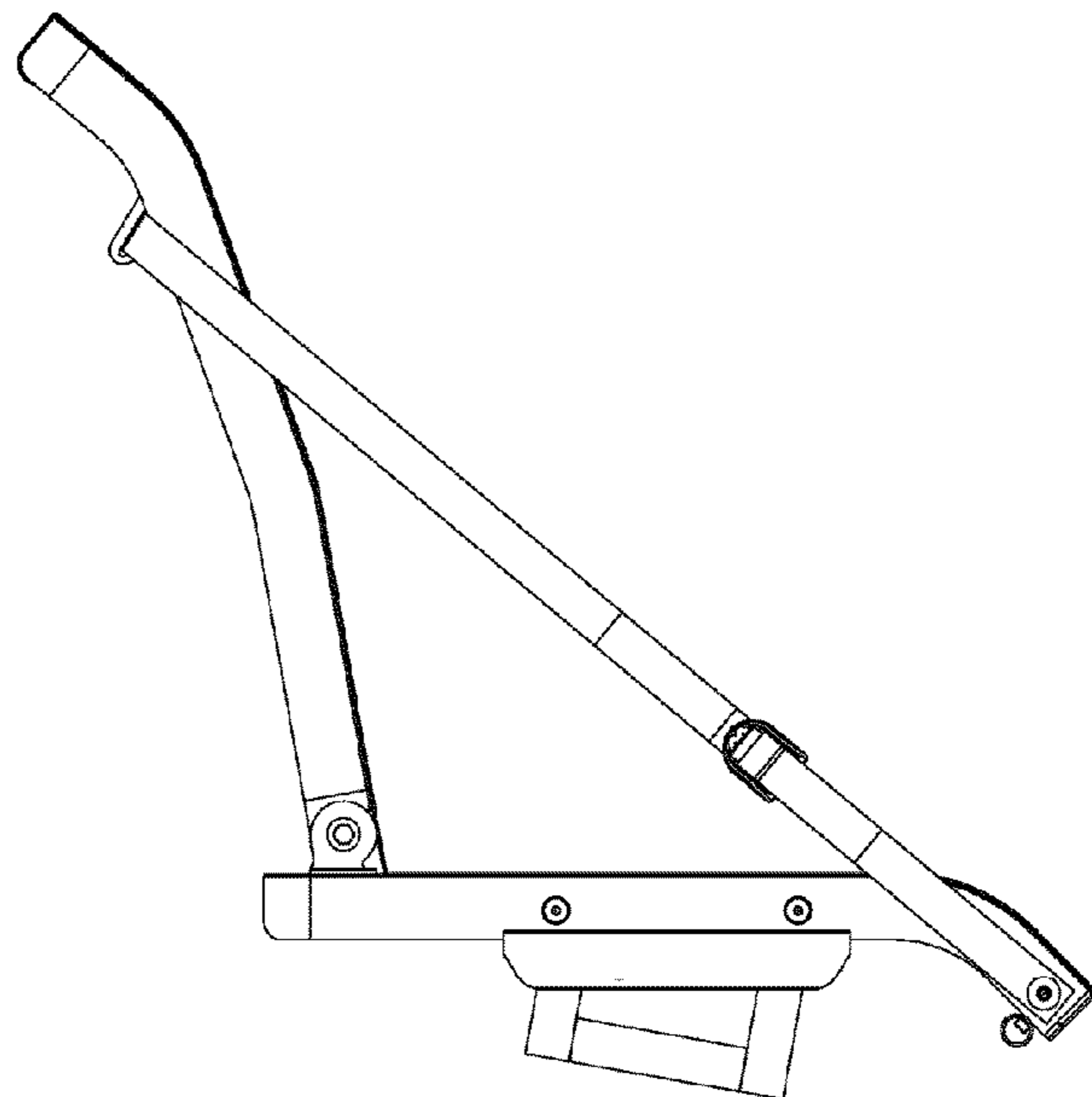
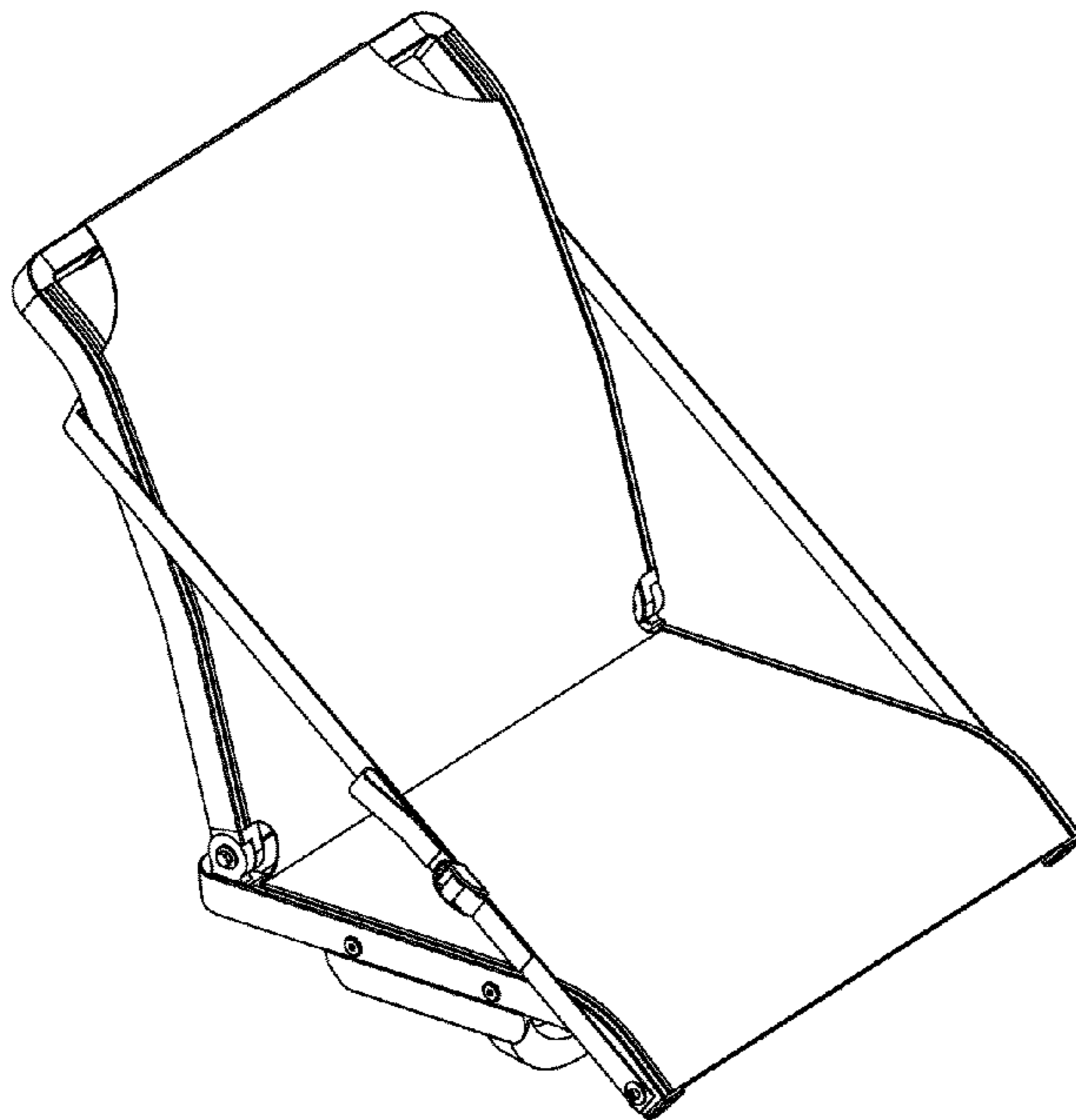
(57) **CLAIM**

The ornamental design for a boat seat, as shown and described.

**DESCRIPTION**

FIG. 1 is a front perspective view of a boat seat;  
FIG. 2 is a right side view of the boat seat of FIG. 1. The left side view is substantially identical to the right side view;  
FIG. 3 is a top view of the boat seat of FIG. 1;  
FIG. 4 is a bottom view of the boat seat of FIG. 1;  
FIG. 5 is a rear view of the boat seat of FIG. 1; and,  
FIG. 6 is a front view of the boat seat of FIG. 1.

**1 Claim, 3 Drawing Sheets**



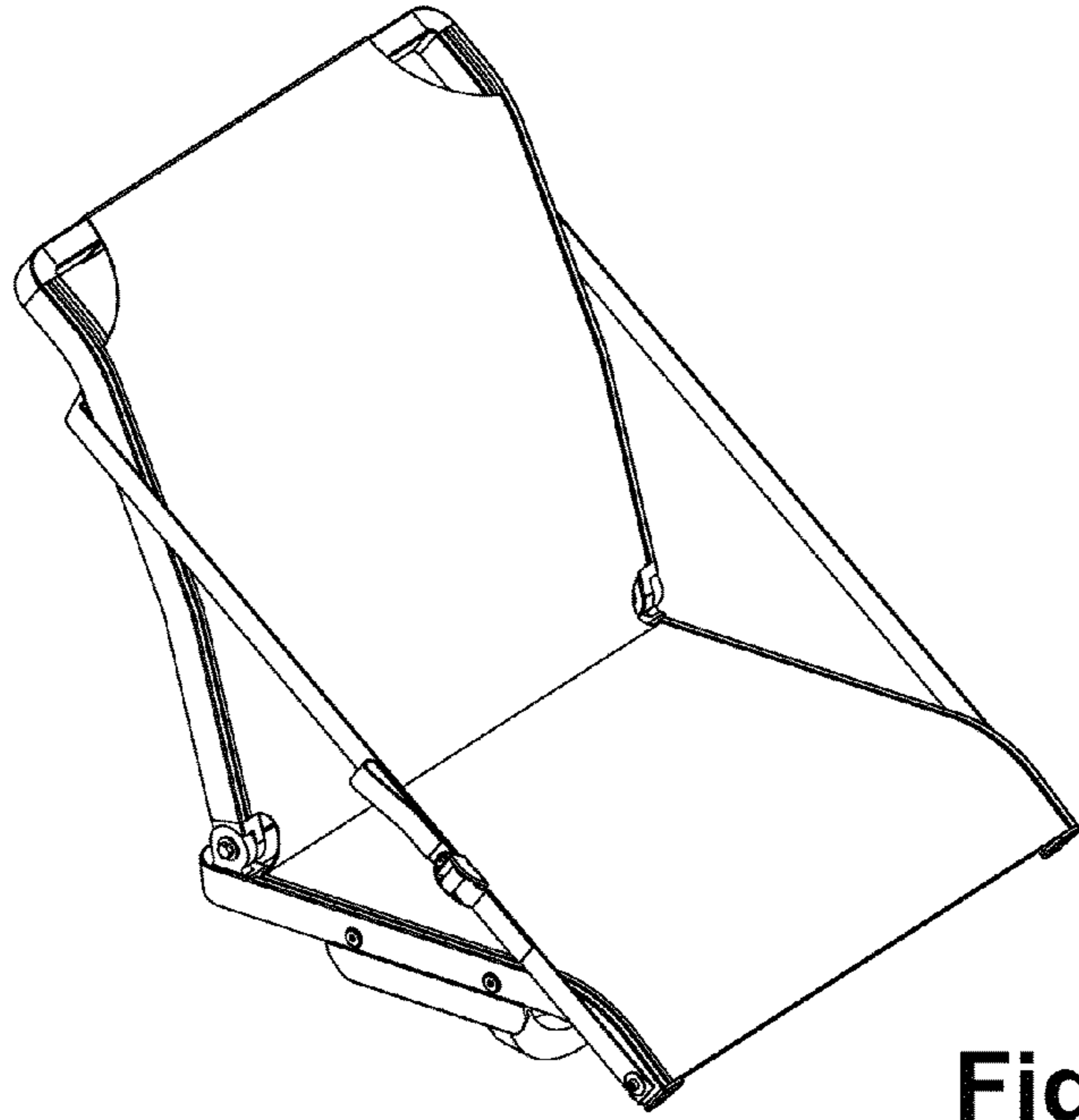


Fig. 1

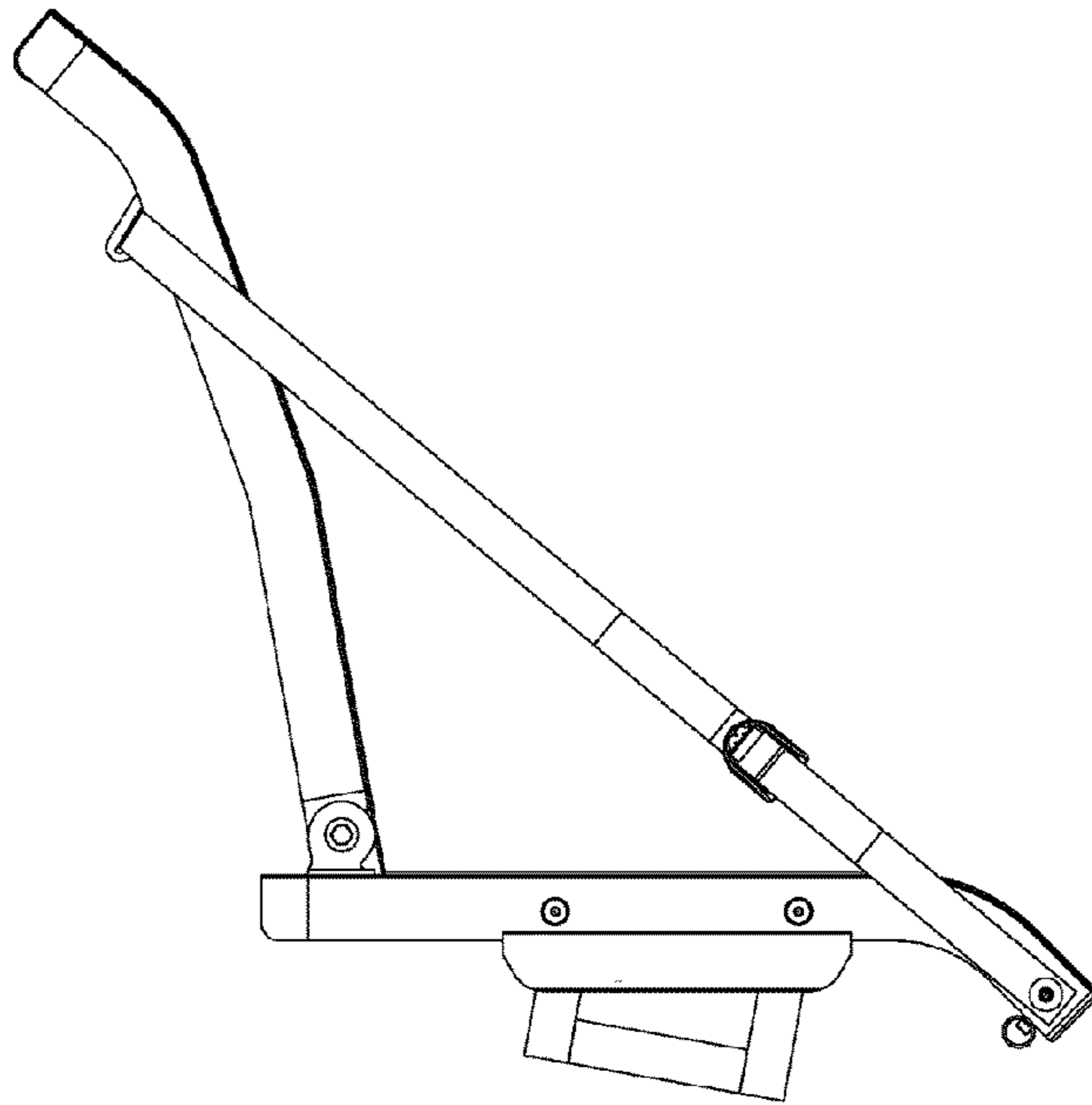
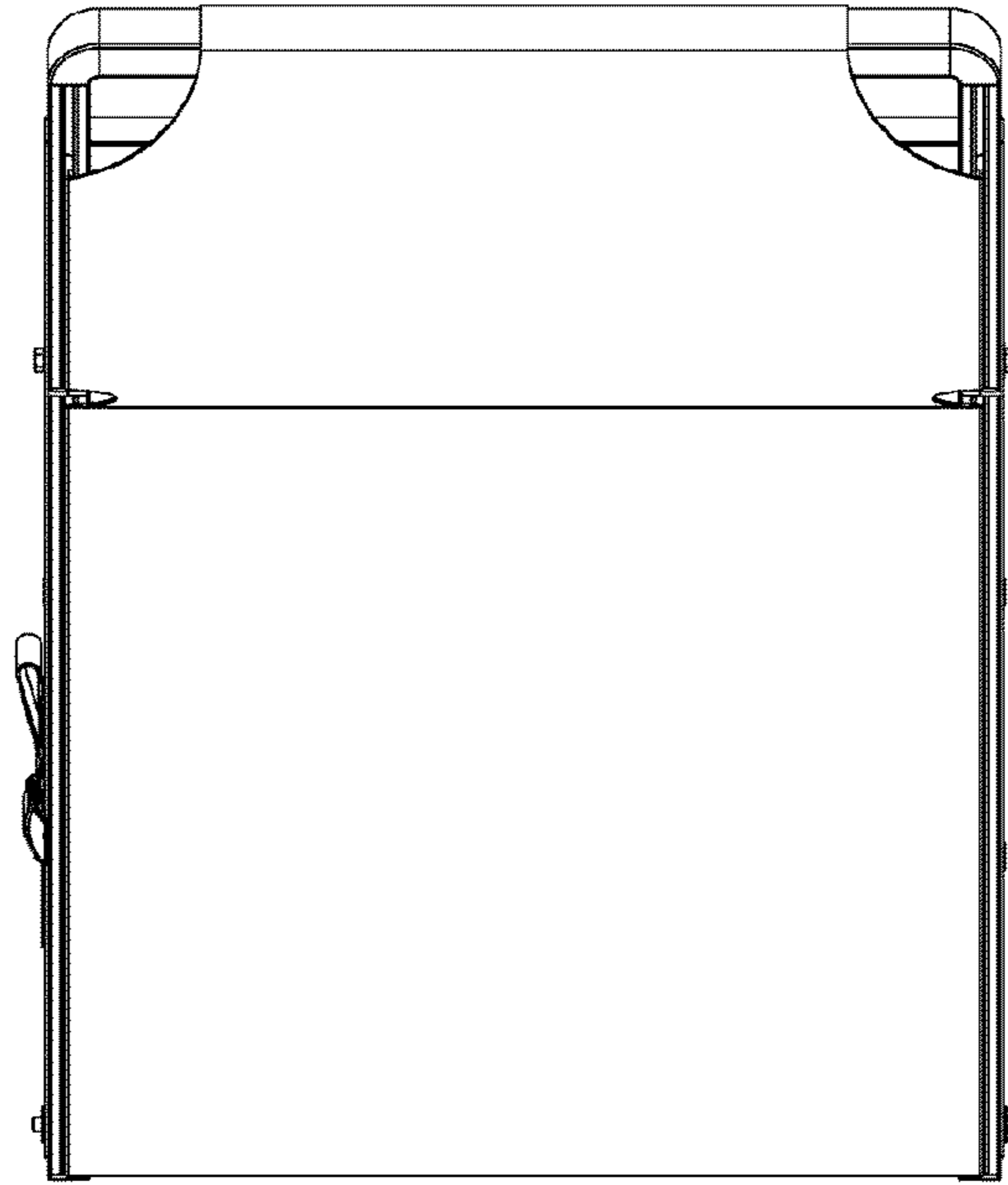
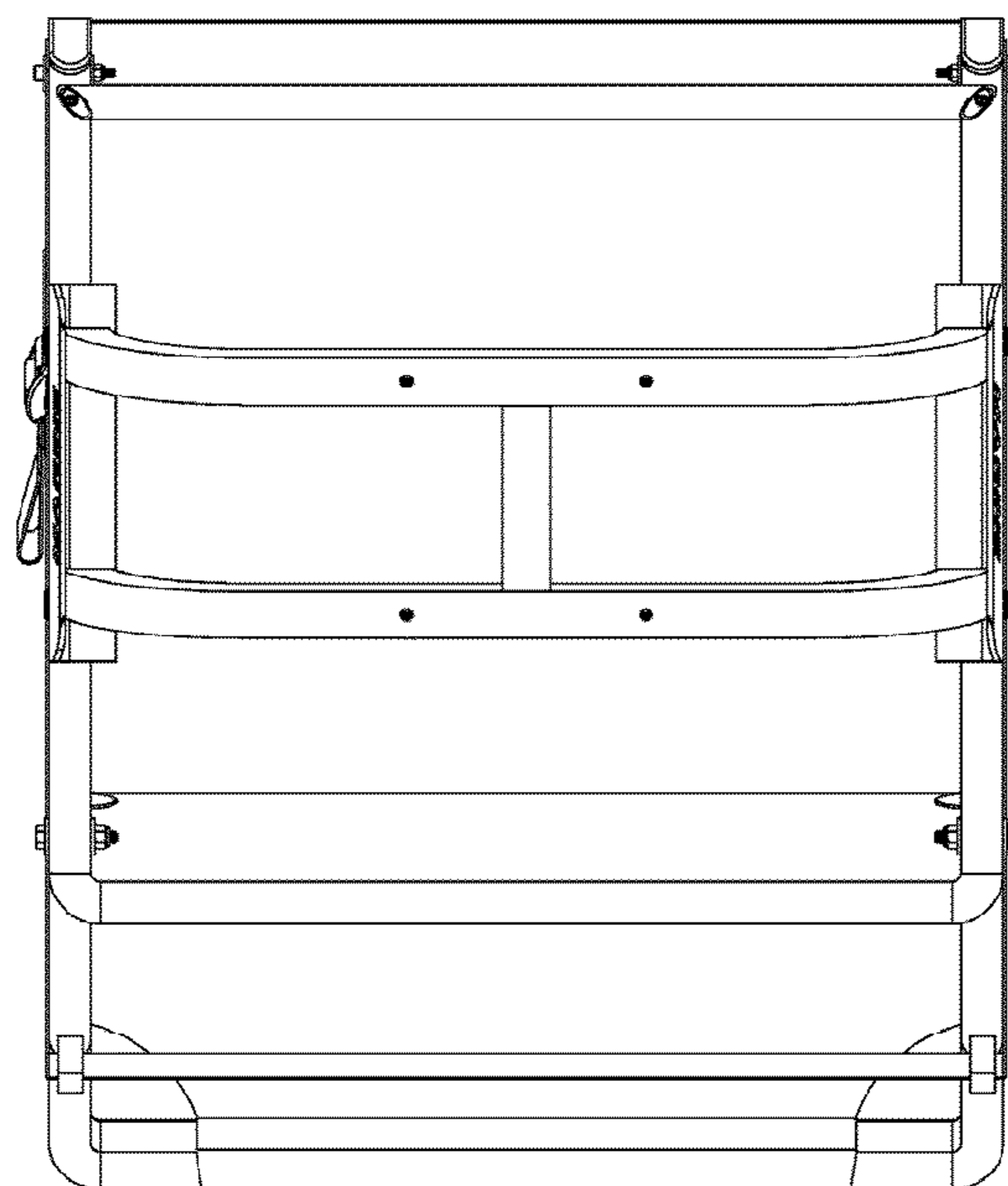


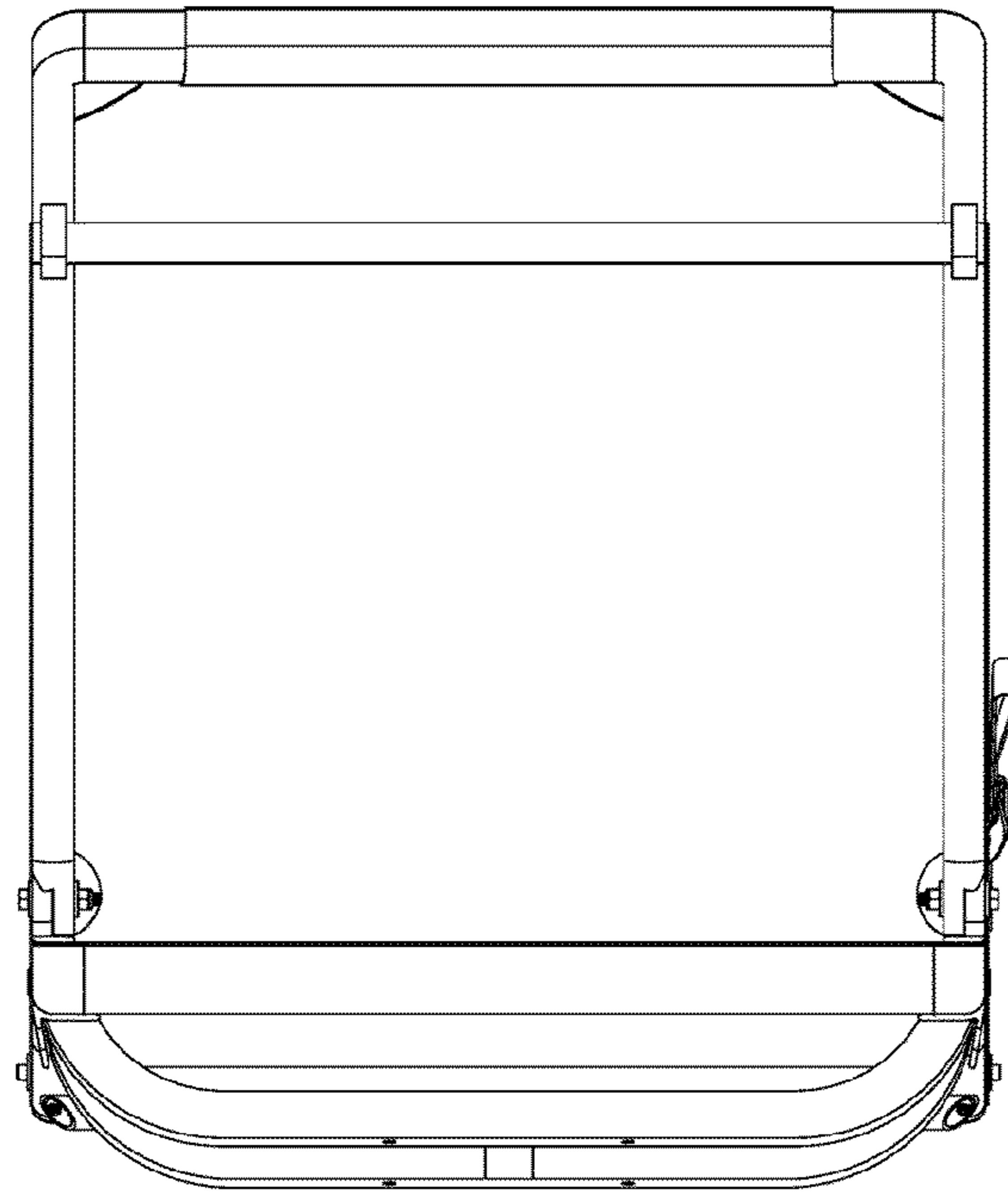
Fig. 2



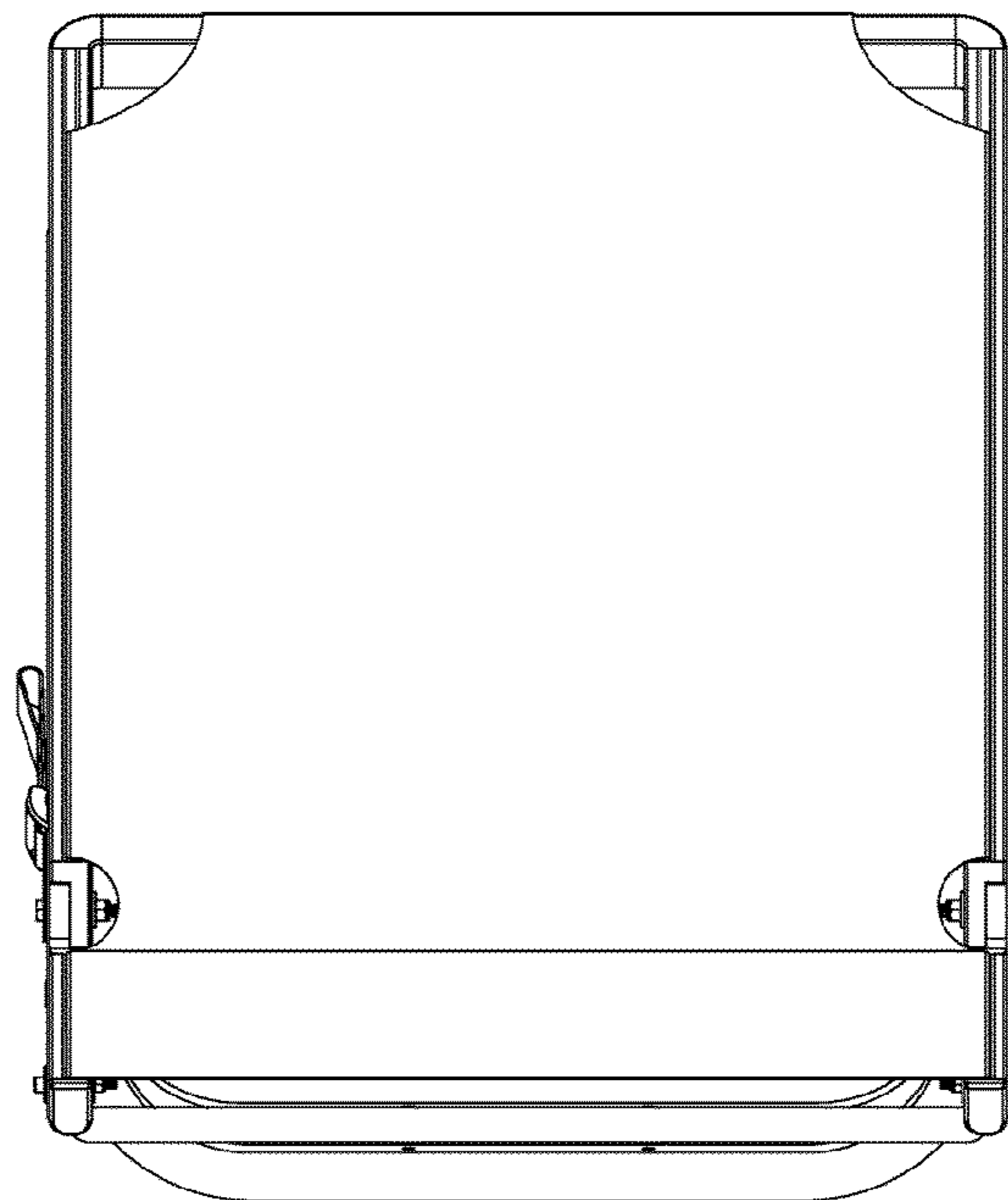
**Fig. 3**



**Fig. 4**



**Fig. 5**



**Fig. 6**