



US00D727045S

(12) **United States Design Patent**
Ishida et al.

(10) **Patent No.:** **US D727,045 S**
(45) **Date of Patent:** **** Apr. 21, 2015**

(54) **AIR CONDITIONER**

- (71) Applicant: **Mitsubishi Electric Corporation**, Chiyoda-Ku, Tokyo (JP)
- (72) Inventors: **Kenji Ishida**, Chiyoda-Ku (JP); **Takayuki Nishiguchi**, Chiyoda-Ku (JP); **Azumi Shimada**, Chiyoda-Ku (JP)
- (73) Assignee: **Mitsubishi Electric Corporation**, Tokyo (JP)
- (**) Term: **14 Years**

- (21) Appl. No.: **29/457,707**
- (22) Filed: **Jun. 12, 2013**

(30) **Foreign Application Priority Data**

- Jan. 18, 2013 (JP) 2013-000787
- (51) **LOC (10) Cl.** **23-04**
- (52) **U.S. Cl.**
USPC **D6/351**
- (58) **Field of Classification Search**
USPC D23/351–354, 385, 355, 357, 361;
312/236; 62/259.1, 259.4, 262–263,
62/304; 454/330–331, 349–350
See application file for complete search history.

(56) **References Cited**

U.S. PATENT DOCUMENTS

D417,724 S	*	12/1999	Okamoto et al.	D23/351
D591,409 S	*	4/2009	Kashimoto	D23/351
D591,410 S	*	4/2009	Kashimoto	D23/351
D612,469 S	*	3/2010	Nagahori et al.	D23/351
D621,492 S	*	8/2010	Tanaka et al.	D23/351
D621,921 S	*	8/2010	Ishida et al.	D23/351
D627,043 S	*	11/2010	Tanaka et al.	D23/351
D669,161 S	*	10/2012	Yamana et al.	D23/351
D702,335 S	*	4/2014	Saitou	D23/351

OTHER PUBLICATIONS

Office for Harmonization in the Internal Market, Certificate of Registration 000899653, Registered Apr. 25, 2008, 4 pgs.

* cited by examiner

Primary Examiner — Brian N Vinson
(74) *Attorney, Agent, or Firm* — Sughrue Mion, PLLC

(57) **CLAIM**

The ornamental design for an air conditioner, as shown and described.

DESCRIPTION

FIG. 1 is a front, top and right side perspective view of an air conditioner, showing our new design;

FIG. 2 is a front elevational view thereof;

FIG. 3 is a rear elevational view thereof;

FIG. 4 is a right side elevational view thereof, a left side elevational view is a mirror image thereof;

FIG. 5 is a top plan view thereof;

FIG. 6 is a bottom plan view thereof;

FIG. 7 is a reference enlarged vertical cross-sectional view thereof; taken along line 7-7 of FIG. 2, with the internal system omitted; with broken line disclosure of internal elements understood to represent unclaimed portions of the article in which the claimed design is embodied;

FIG. 8 is a reference right side elevational view showing the state where it was put on the floor;

FIG. 9 is a reference right side elevational view showing the state where it attached to the wall 1; and,

FIG. 10 is a reference right side elevational view showing the state where it attached to the wall 2.

1 Claim, 9 Drawing Sheets

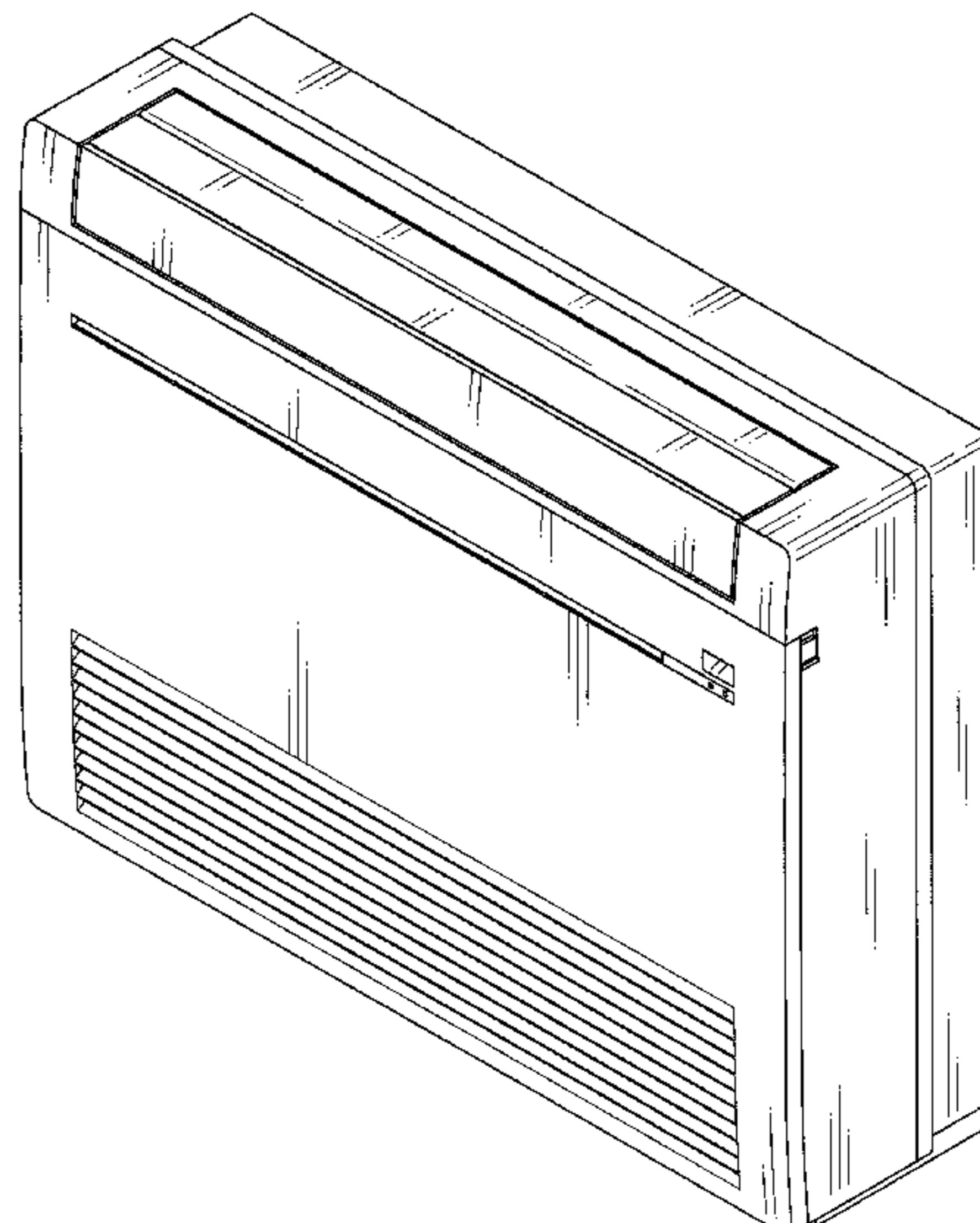


Fig. 1

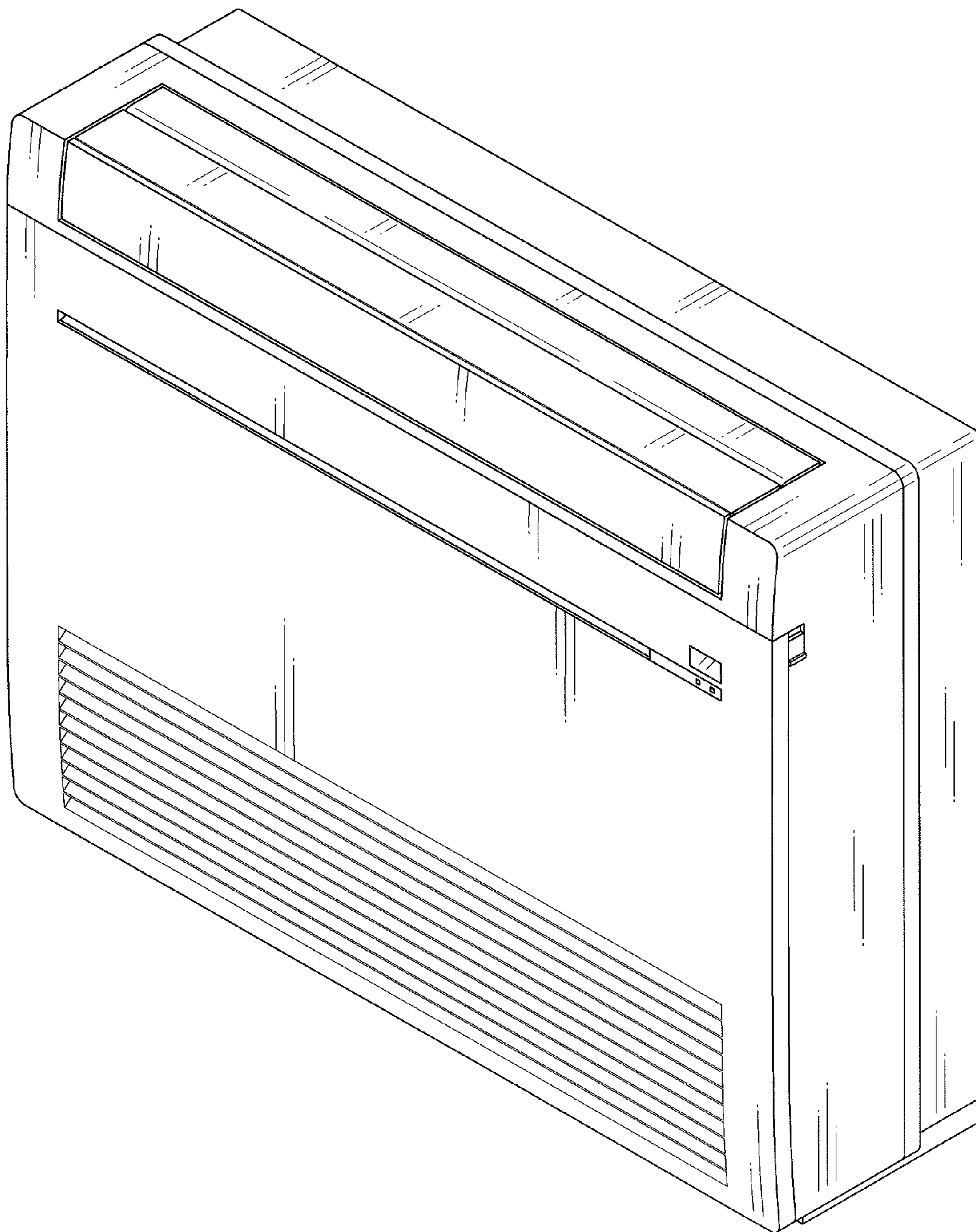
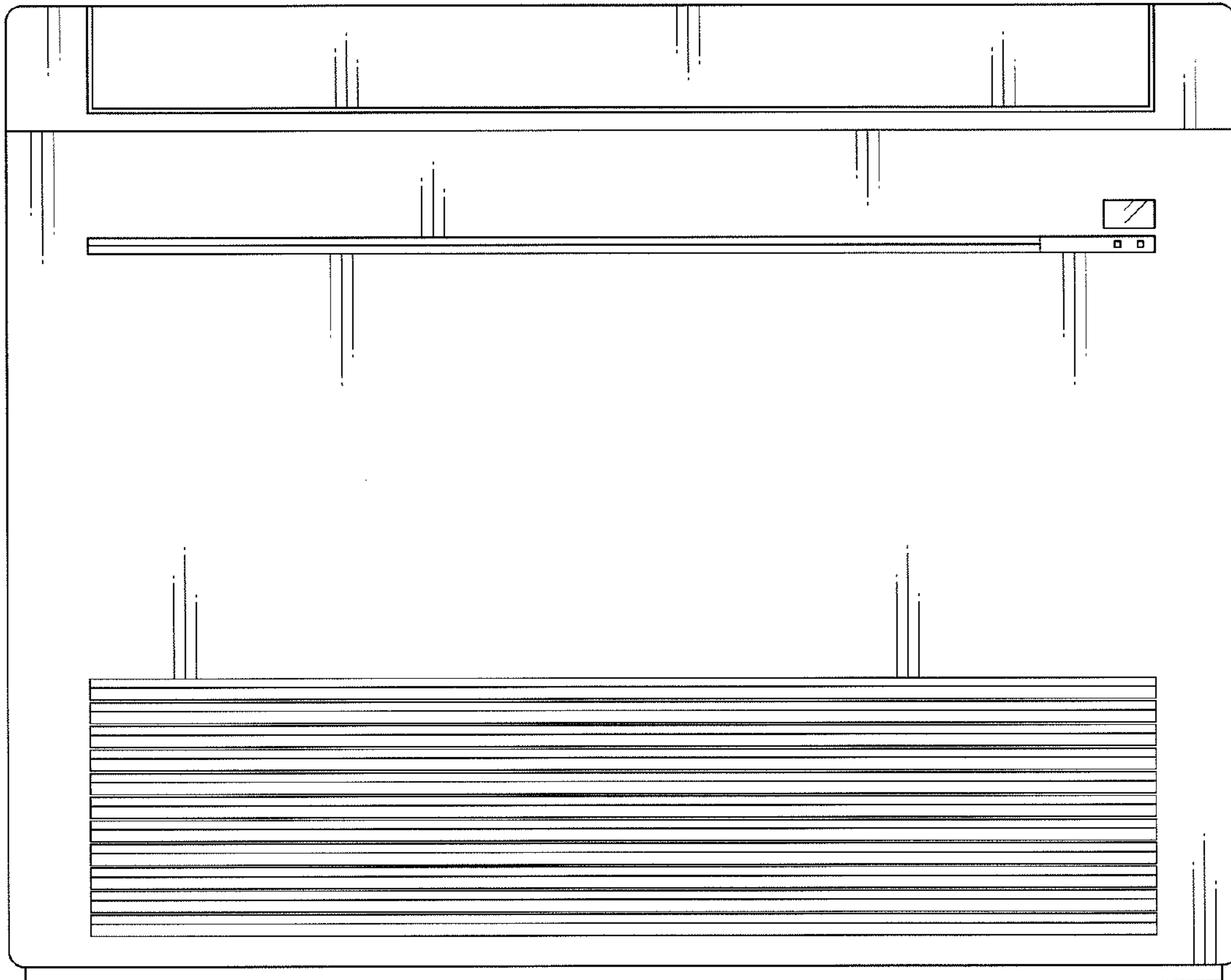


Fig. 2

7 ←



7 ←

Fig. 3

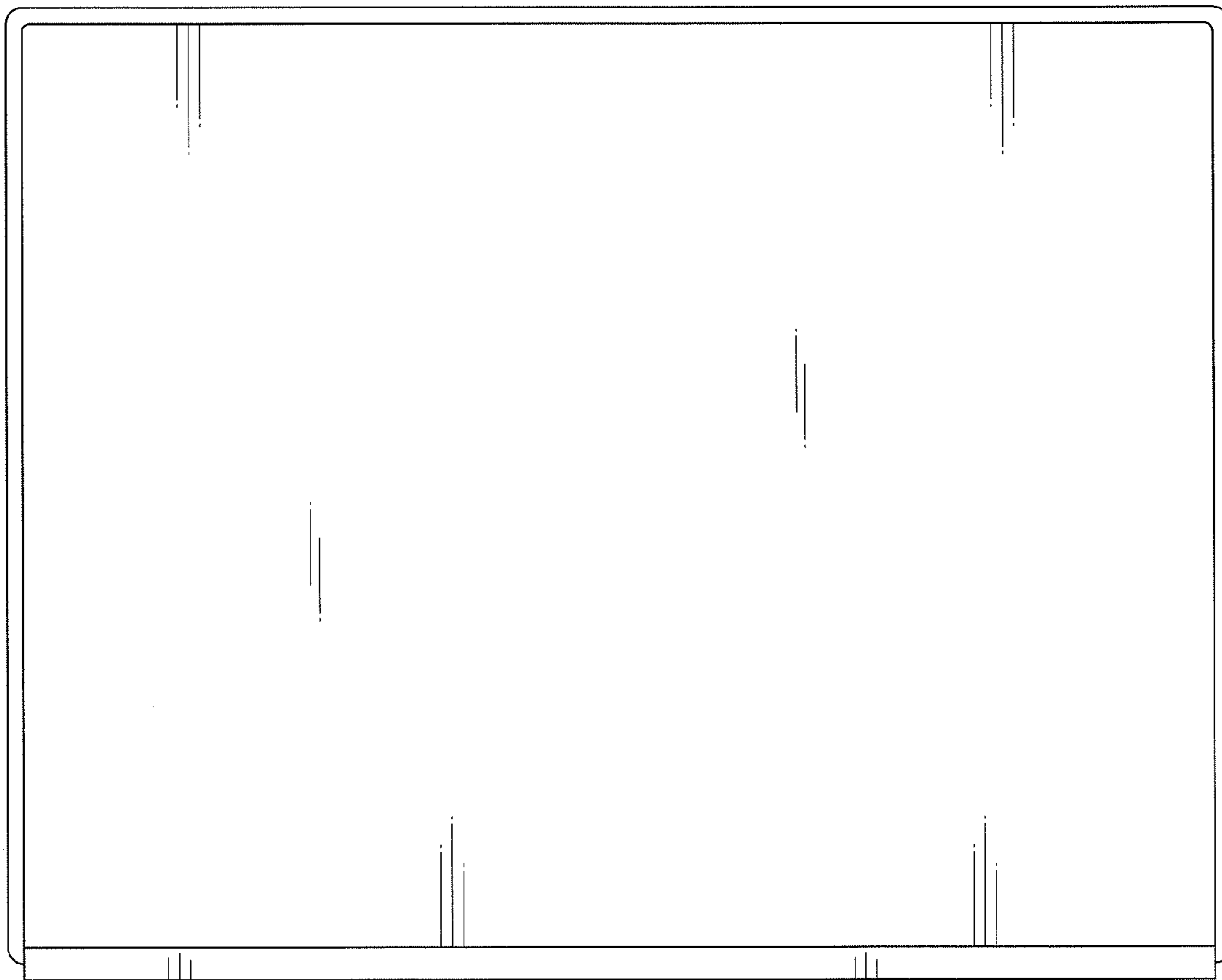


Fig. 4

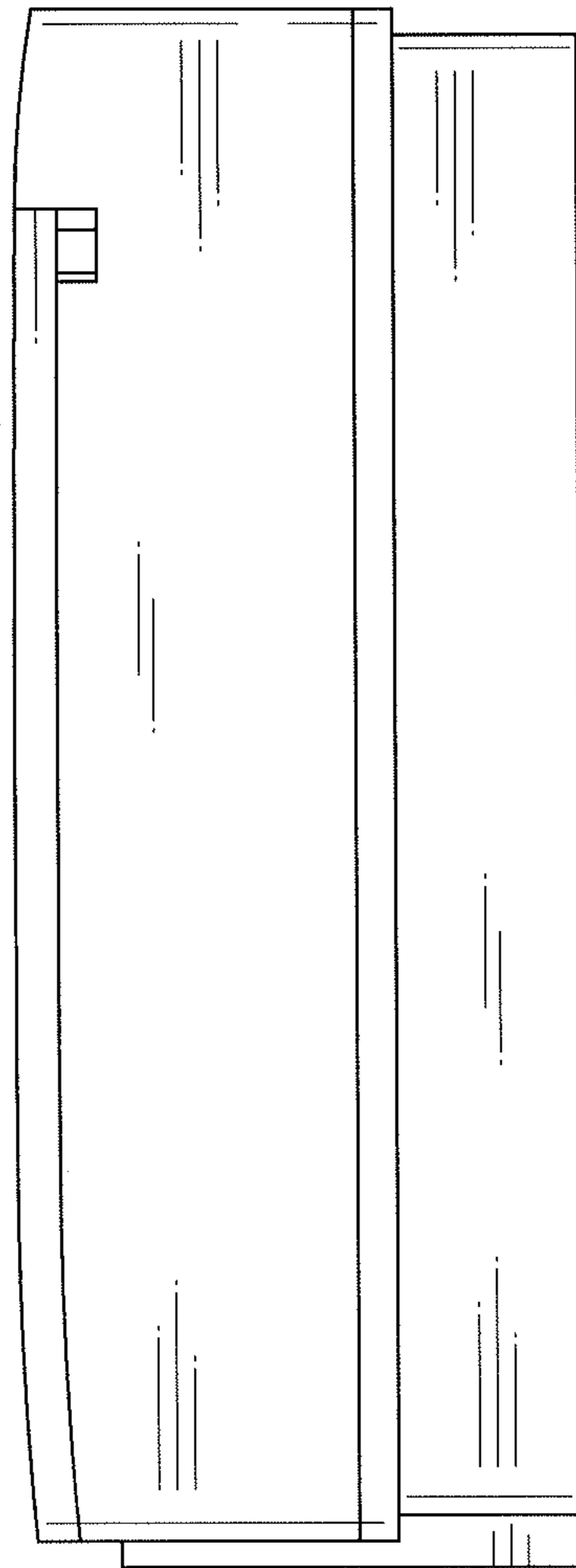


Fig. 5

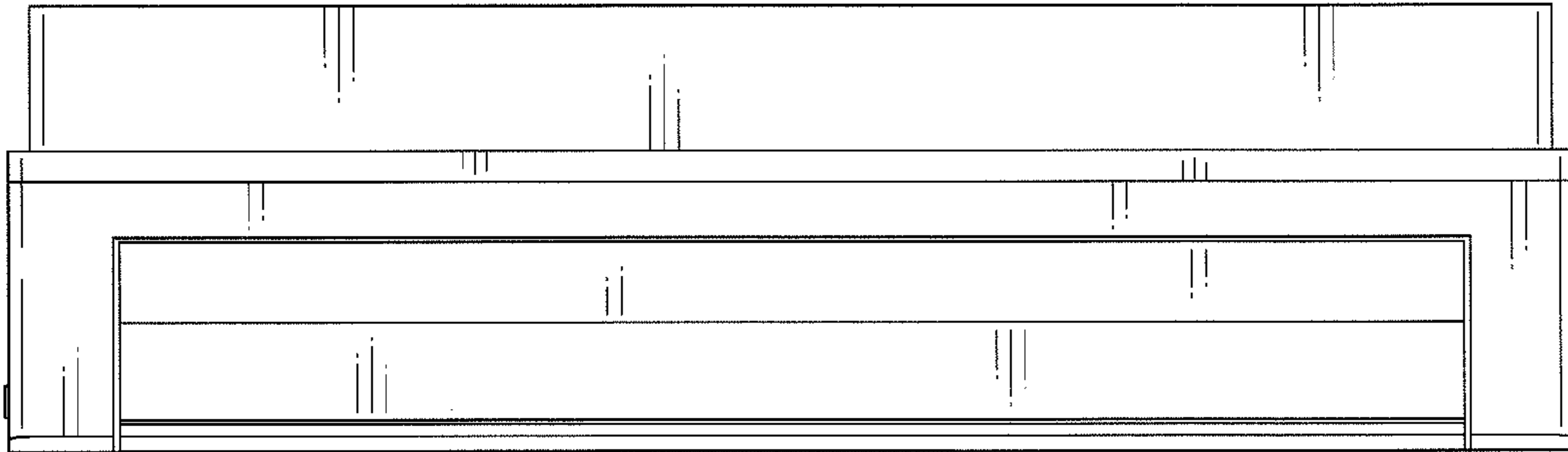


Fig. 6

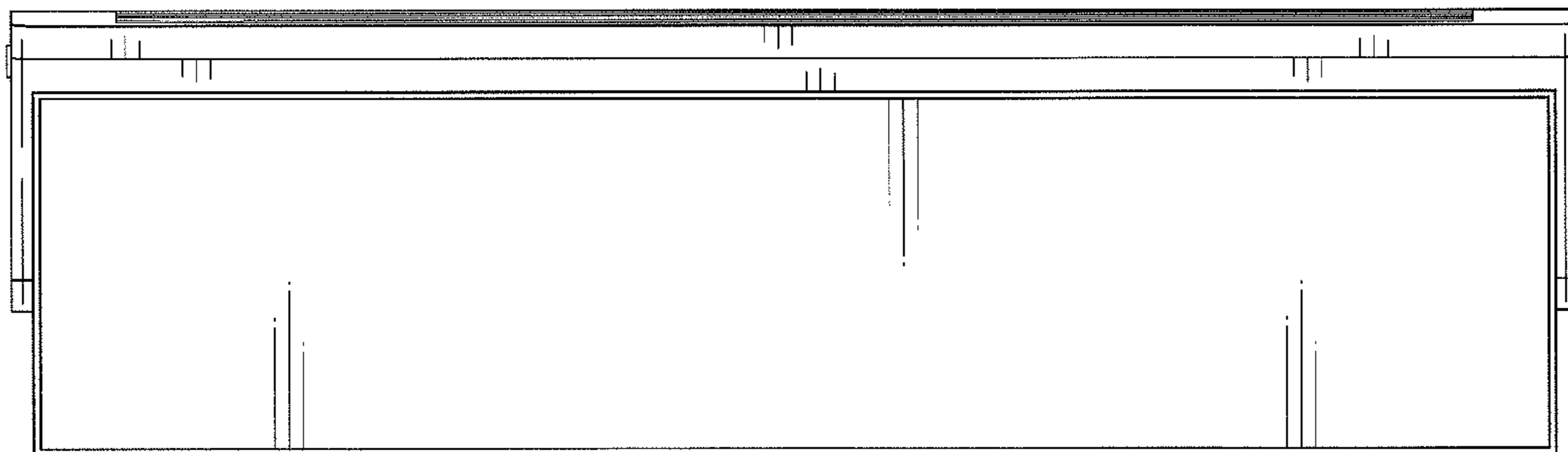


Fig. 7

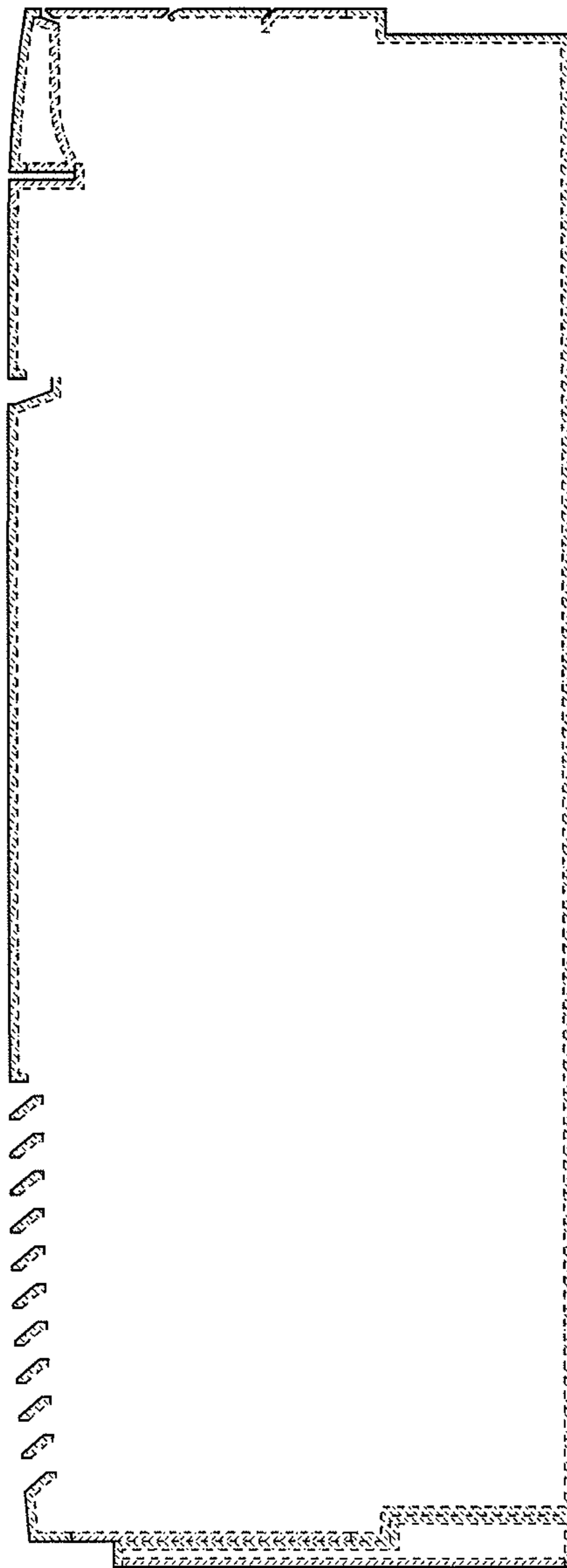


Fig. 8

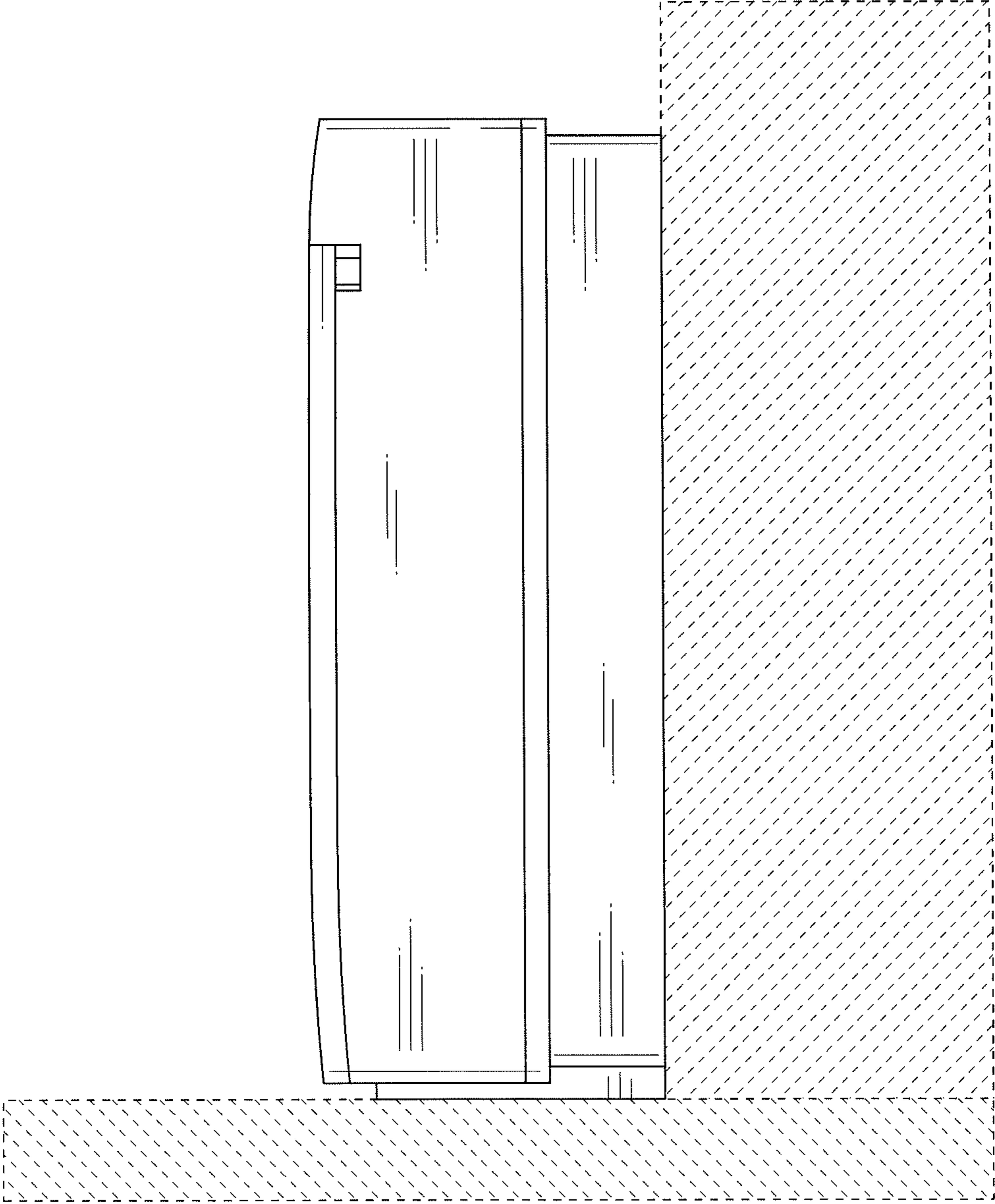


Fig. 9

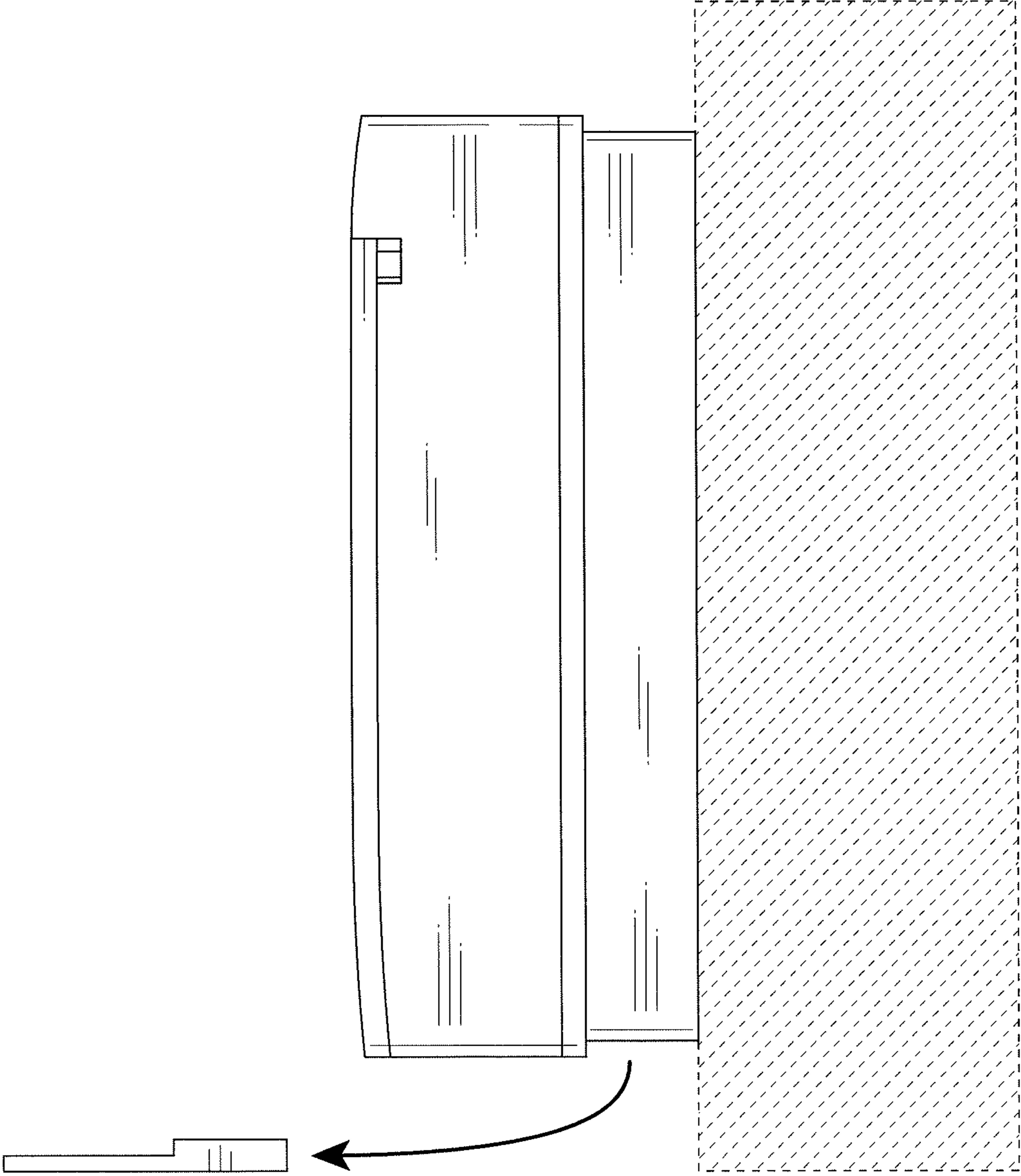


Fig. 10

