

US00D727042S

(12) **United States Design Patent**
Wagner et al.

(10) **Patent No.:** **US D727,042 S**
(45) **Date of Patent:** **** Apr. 21, 2015**

- (54) **SEMI-PRIVATE BOOTH**
- (71) Applicant: **Academia Furniture, LLC**,
Wood-Ridge, NJ (US)
- (72) Inventors: **Y. Isaac Wagner**, Monsey, NY (US);
Adam J. Teller, Monsey, NY (US)
- (73) Assignee: **Academia Furniture, LLC**,
Wood-Ridge, NJ (US)
- (**) Term: **14 Years**
- (21) Appl. No.: **29/507,016**
- (22) Filed: **Oct. 23, 2014**
- (51) **LOC (10) Cl.** **06-01**
- (52) **U.S. Cl.**
USPC **D6/338**
- (58) **Field of Classification Search**
USPC D6/335–339, 349–353, 357; 291/118,
291/119, 134, 135, 158.2, 158.3, 158.5,
291/170, 174 R; 5/12.1, 12.2
See application file for complete search history.

D354,818 S *	1/1995	Johnson	D25/58
D385,044 S *	10/1997	Johnson	D25/58
D399,973 S *	10/1998	O'Reilly	D25/16
D412,625 S *	8/1999	Montague et al.	D6/421
D458,041 S *	6/2002	Couture et al.	D6/332
D459,109 S *	6/2002	Couture et al.	D6/422
D530,104 S *	10/2006	Saffell et al.	D6/332
D540,565 S *	4/2007	Nakamura	D6/421
D623,578 S *	9/2010	Orson et al.	D12/345

OTHER PUBLICATIONS

“Cathay Pacific Lounges, Hong Kong International Airport—Interiors,” Foster + Partners, Ltd., Hong Kong, China, 2012.

* cited by examiner

Primary Examiner — Sandra Snapp

(74) *Attorney, Agent, or Firm* — Weiss & Arons LLP

(57) **CLAIM**

The ornamental design for a semi-private booth, as shown and described.

DESCRIPTION

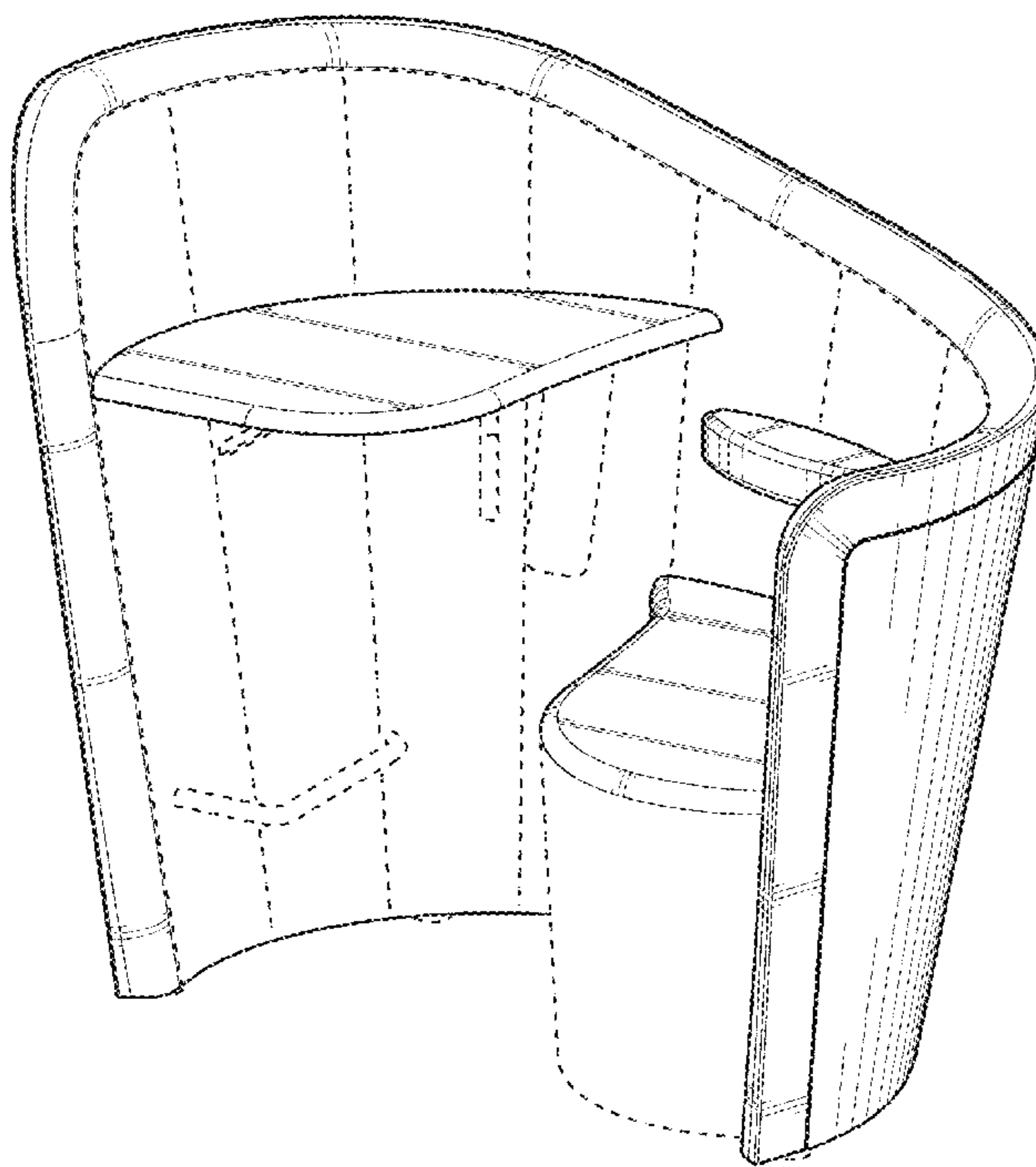
FIG. 1 is a right, front, perspective view of a semi-private booth showing my new design;
 FIG. 2 is a front view thereof;
 FIG. 3 is a back view thereof;
 FIG. 4 is a left side view thereof;
 FIG. 5 is a right view thereof;
 FIG. 6 is a top view thereof; and,
 FIG. 7 is a right, back, perspective view thereof.
 The broken line showing of the semi-private booth represents unclaimed subject matter and forms no part of the claimed design.

1 Claim, 7 Drawing Sheets

(56) **References Cited**

U.S. PATENT DOCUMENTS

D147,386 S *	8/1947	Thomas	D6/336
2,430,241 A *	11/1947	Nicholas	312/210
D225,871 S *	1/1973	Crannel	D6/421
D286,956 S *	12/1986	Lockwood	D6/396
D302,362 S *	7/1989	Armstrong	D6/421
D305,689 S *	1/1990	Lerch	D25/16
D314,869 S *	2/1991	Entratter	D6/335
D353,946 S *	1/1995	Fischer et al.	D6/332



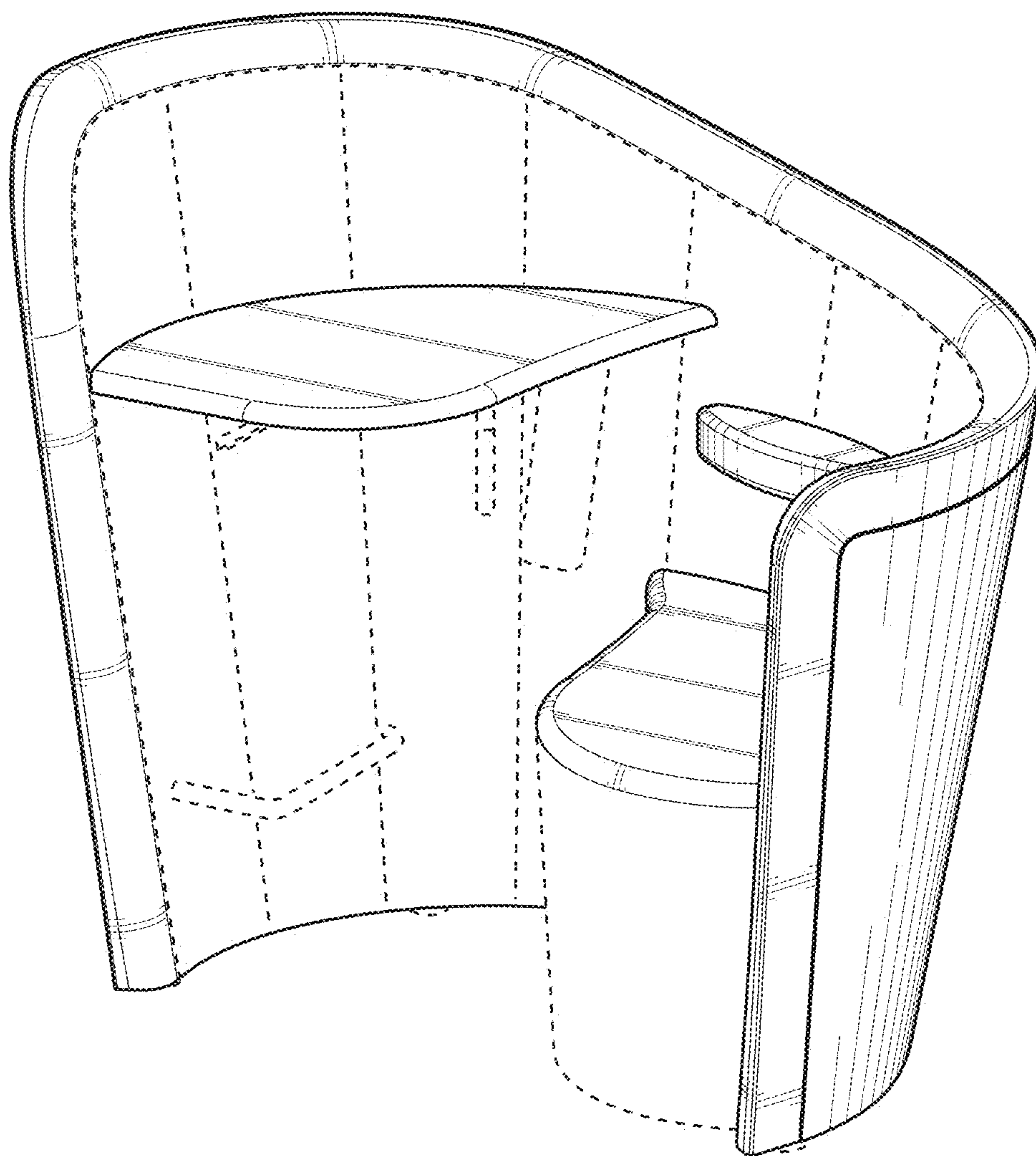


FIG. 1

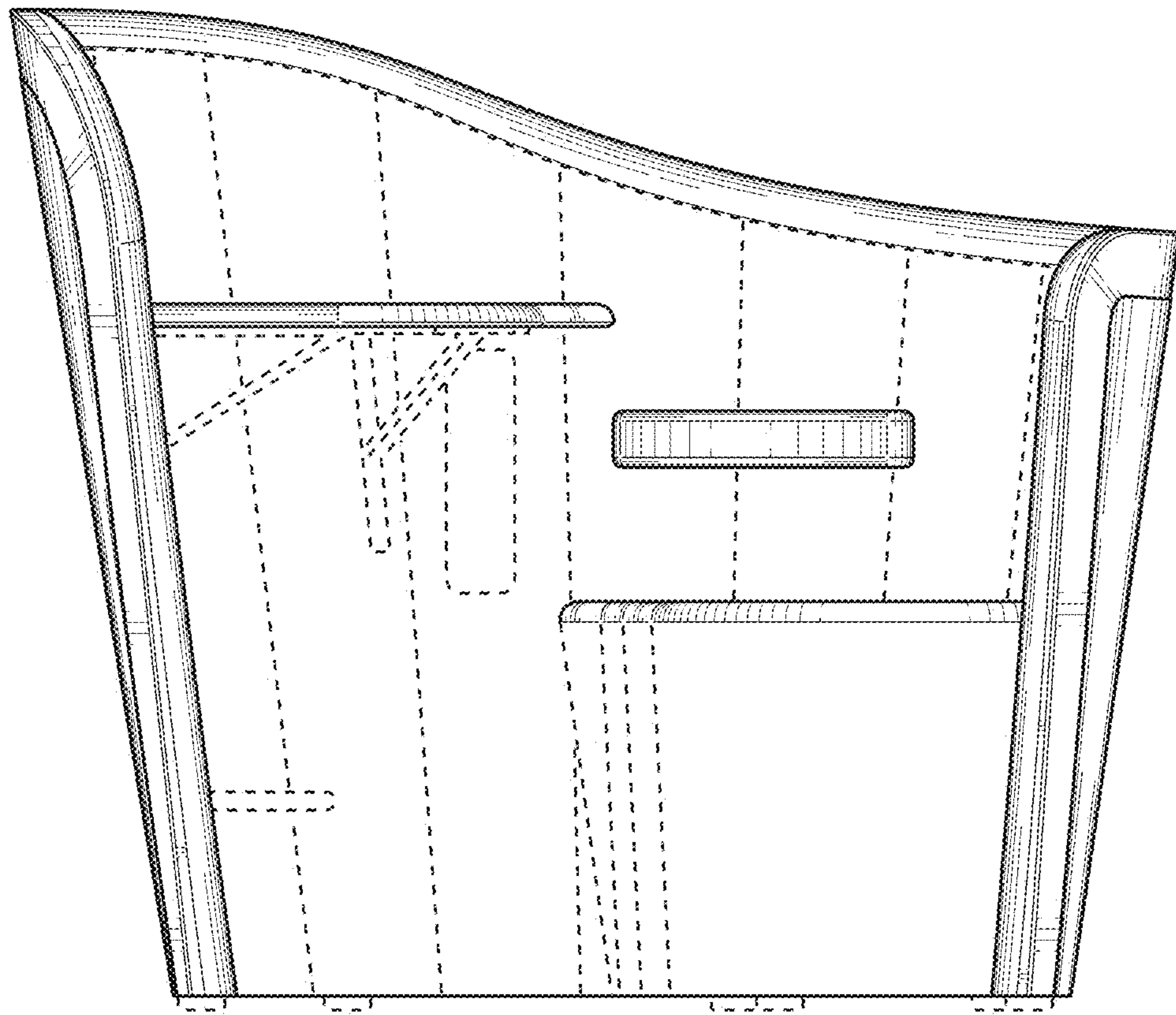


FIG. 2

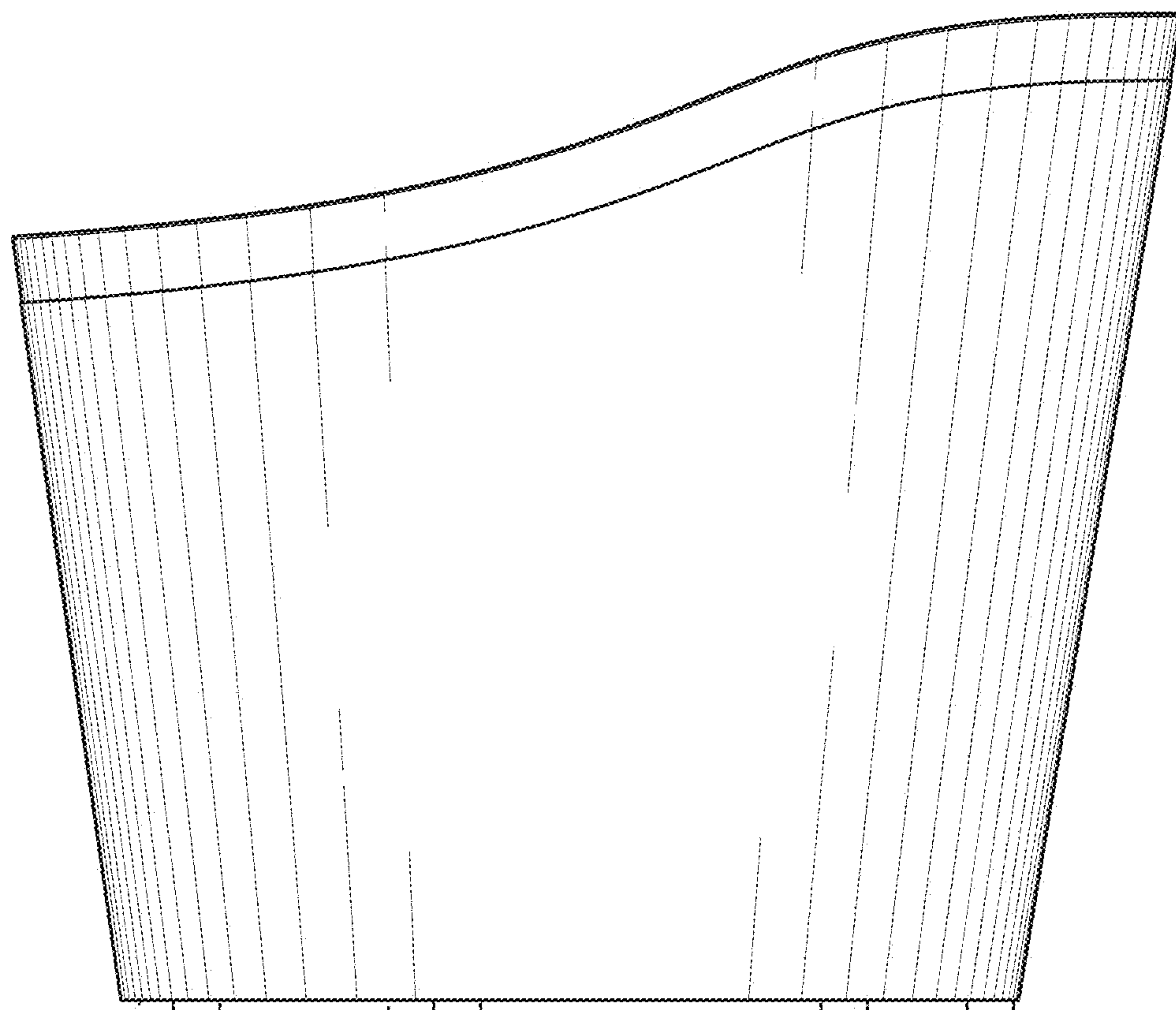


FIG. 3

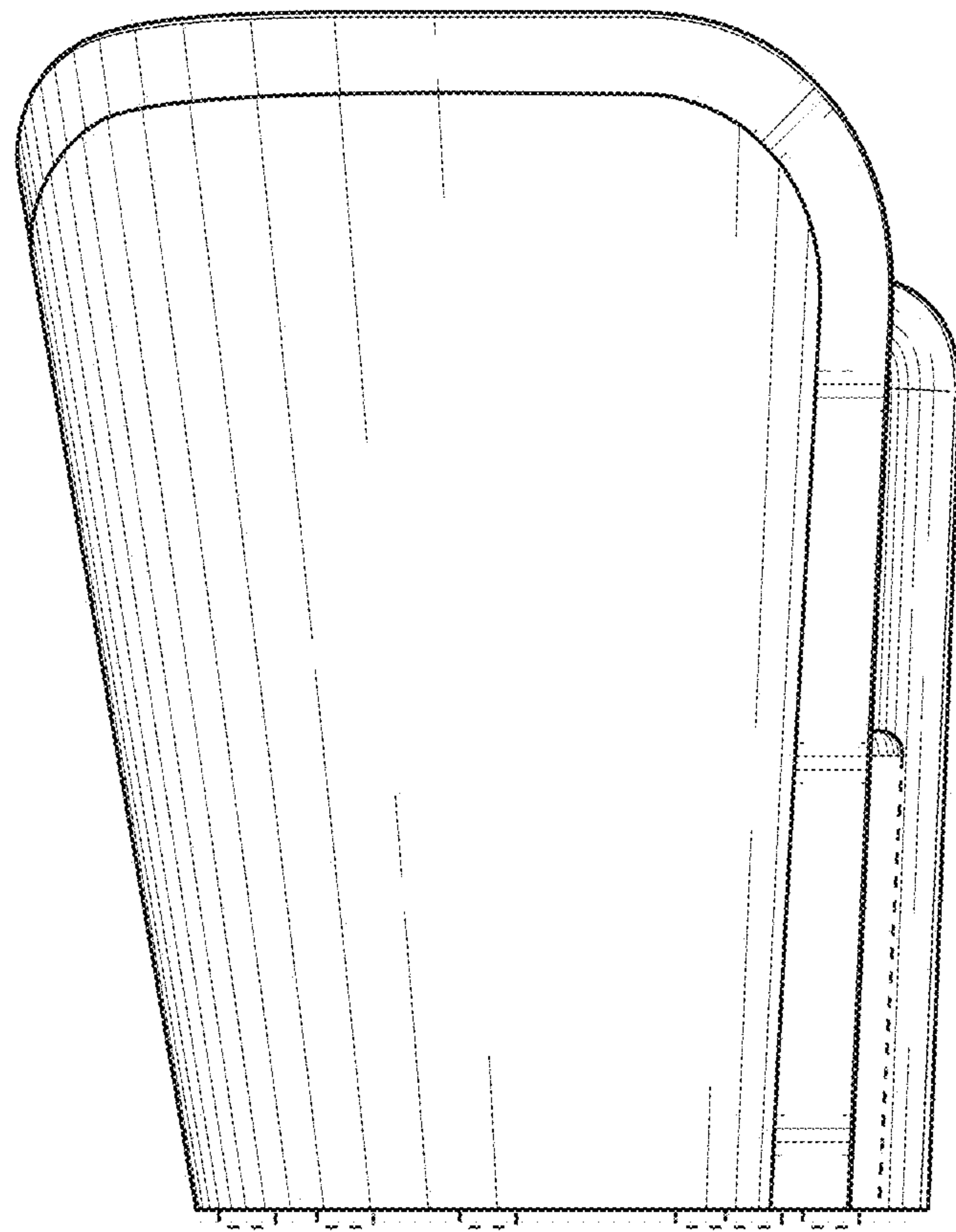


FIG. 4

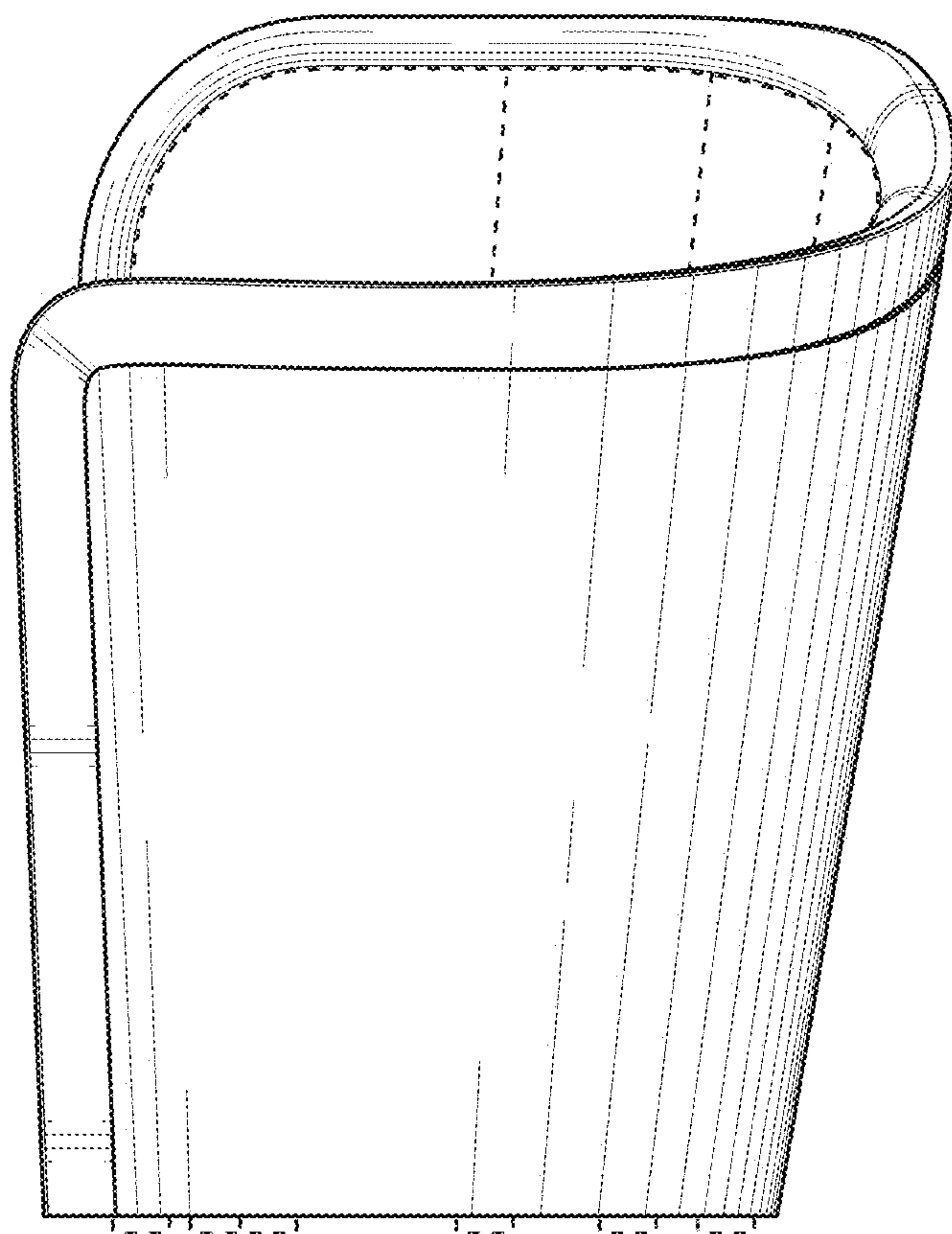


FIG. 5

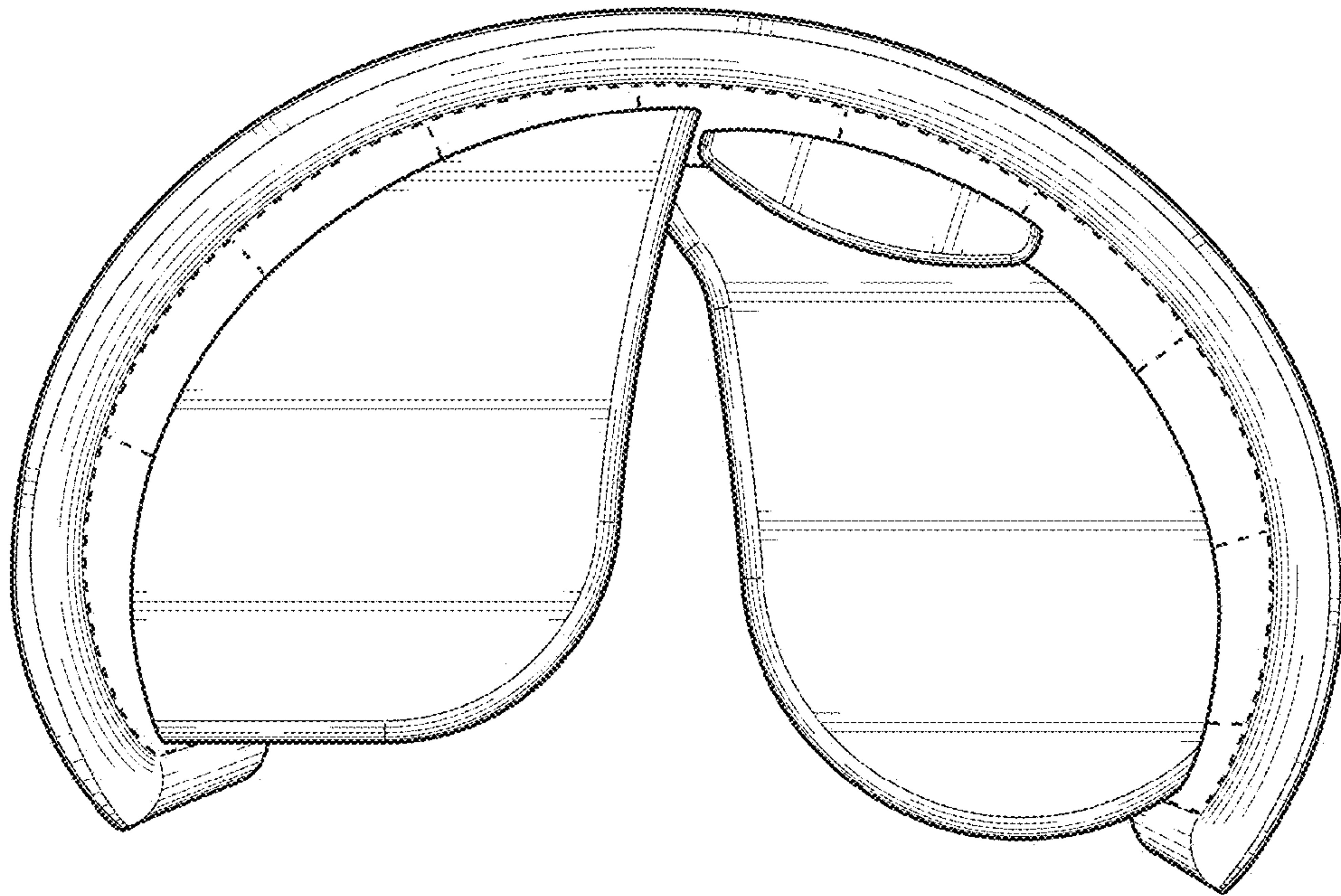


FIG. 6

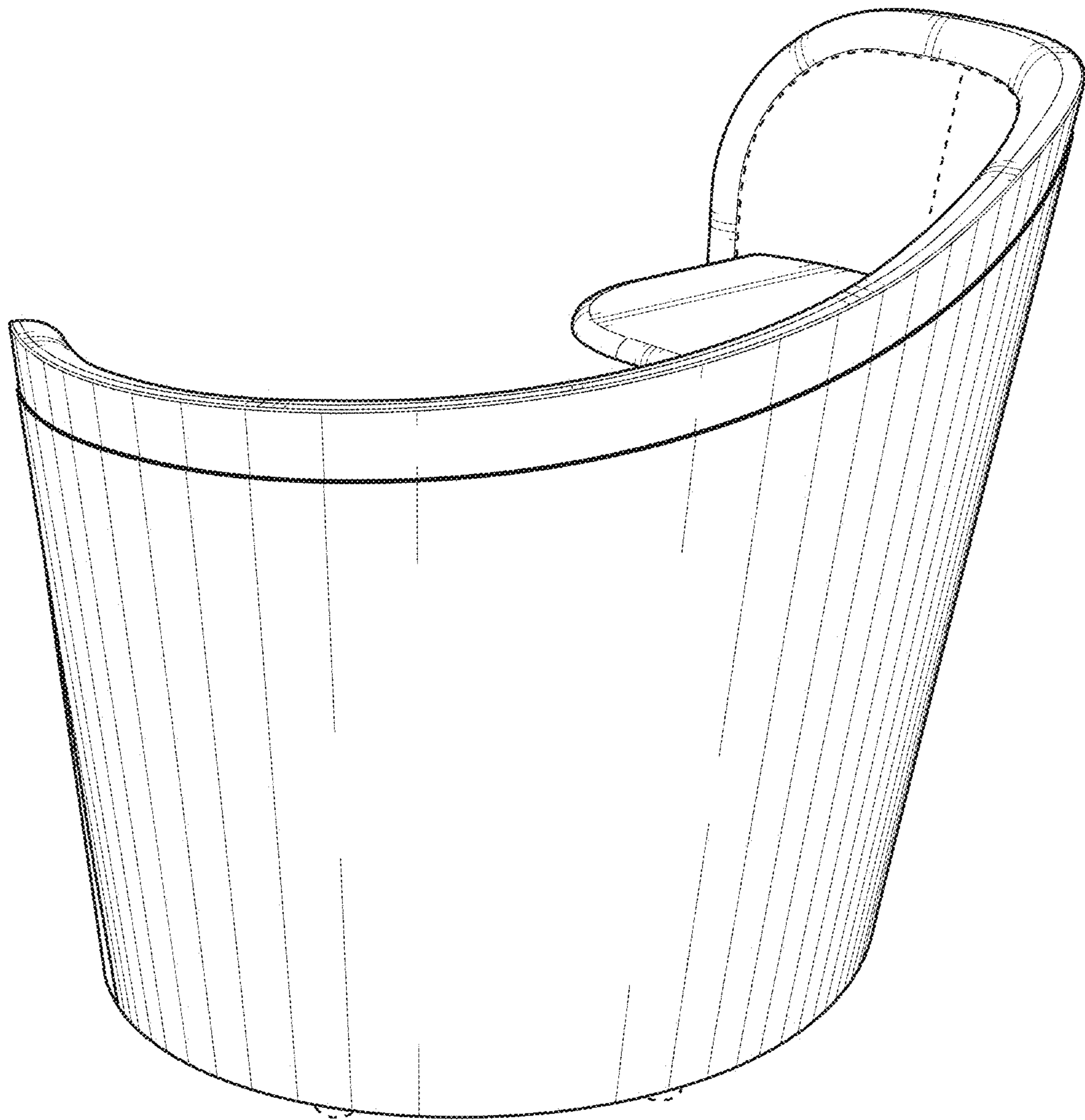


FIG. 7