

US00D727035S

(12) **United States Design Patent**
Herrmann

(10) **Patent No.:** **US D727,035 S**

(45) **Date of Patent:** **** Apr. 21, 2015**

- (54) **TOOTHBRUSH HOLDER**
- (71) Applicant: **The Bottle Crew, LLC**, West Bloomfield, MI (US)
- (72) Inventor: **Thomas J. Herrmann**, West Bloomfield, MI (US)
- (73) Assignee: **The Bottle Crew, LLC**, West Bloomfield, MI (US)

D337,207	S	*	7/1993	Tiramani et al.	D4/199
D428,207	S	*	7/2000	Grossnickle et al.	D28/73
D474,034	S	*	5/2003	McCurrach et al.	D4/199
D535,106	S	*	1/2007	Vu	D4/199
D545,066	S	*	6/2007	Bustos	D4/199
D580,179	S	*	11/2008	Vu	D4/199
D587,311	S	*	2/2009	Zhang	D19/51
D598,658	S	*	8/2009	Peppard	D4/199
D622,963	S	*	9/2010	Paik	D4/199
D656,831	S	*	4/2012	Thorpe et al.	D9/521

* cited by examiner

(**) Term: **14 Years**

Primary Examiner — Austin Murphy

(21) Appl. No.: **29/507,047**

(74) *Attorney, Agent, or Firm* — Gifford, Krass, Sprinkle, Anderson & Citkowski, P.C.

(22) Filed: **Oct. 23, 2014**

(57) **CLAIM**

(51) **LOC (10) Cl.** **04-99**

The ornamental design for a toothbrush holder, as shown and described.

(52) **U.S. Cl.**

DESCRIPTION

USPC **D4/199**

(58) **Field of Classification Search**

USPC D4/113, 199; D3/205; D6/528, 534;

D28/66; 15/184; 132/308–311;

206/63.5, 209, 209.1, 362.2, 368, 581

See application file for complete search history.

FIG. 1 is an oblique top view of the holder seen from a first perspective;

FIG. 2 is an oblique top view of the holder seen from a second perspective;

FIG. 3 is an oblique bottom view of the holder;

FIG. 4 is a bottom view of the holder;

FIG. 5 is a top view of the holder;

FIG. 6 is a side view of the holder;

FIG. 7 is an end view of the holder;

FIG. 8 is a first view of the holder in an open configuration; and,

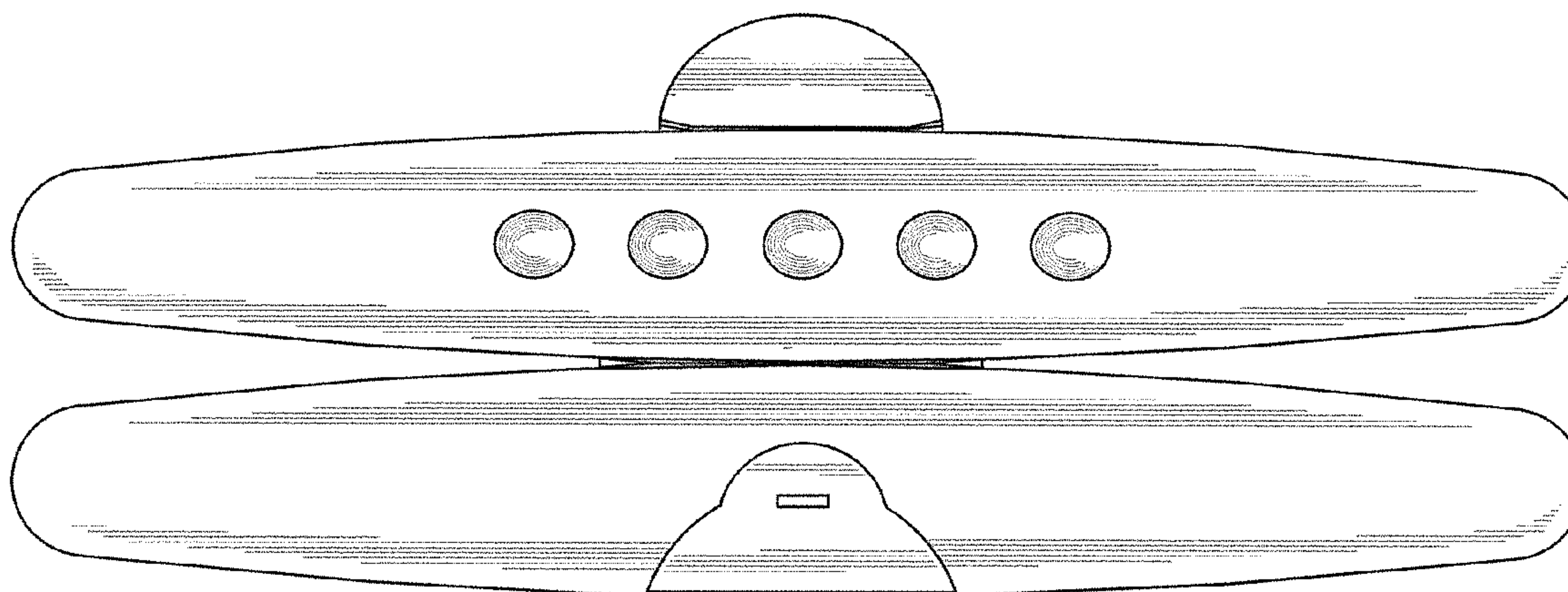
FIG. 9 is a second view of the holder in an open configuration.

(56) **References Cited**

U.S. PATENT DOCUMENTS

2,034,595	A	*	3/1936	Pinkham	132/308
D155,031	S	*	8/1949	Patterson	D9/521
2,640,488	A	*	6/1953	Velodota	132/308
2,815,057	A	*	12/1957	Tupper	220/796
D272,582	S	*	2/1984	Shepherd	D4/116
D336,373	S	*	6/1993	Crawford et al.	D4/199

1 Claim, 3 Drawing Sheets



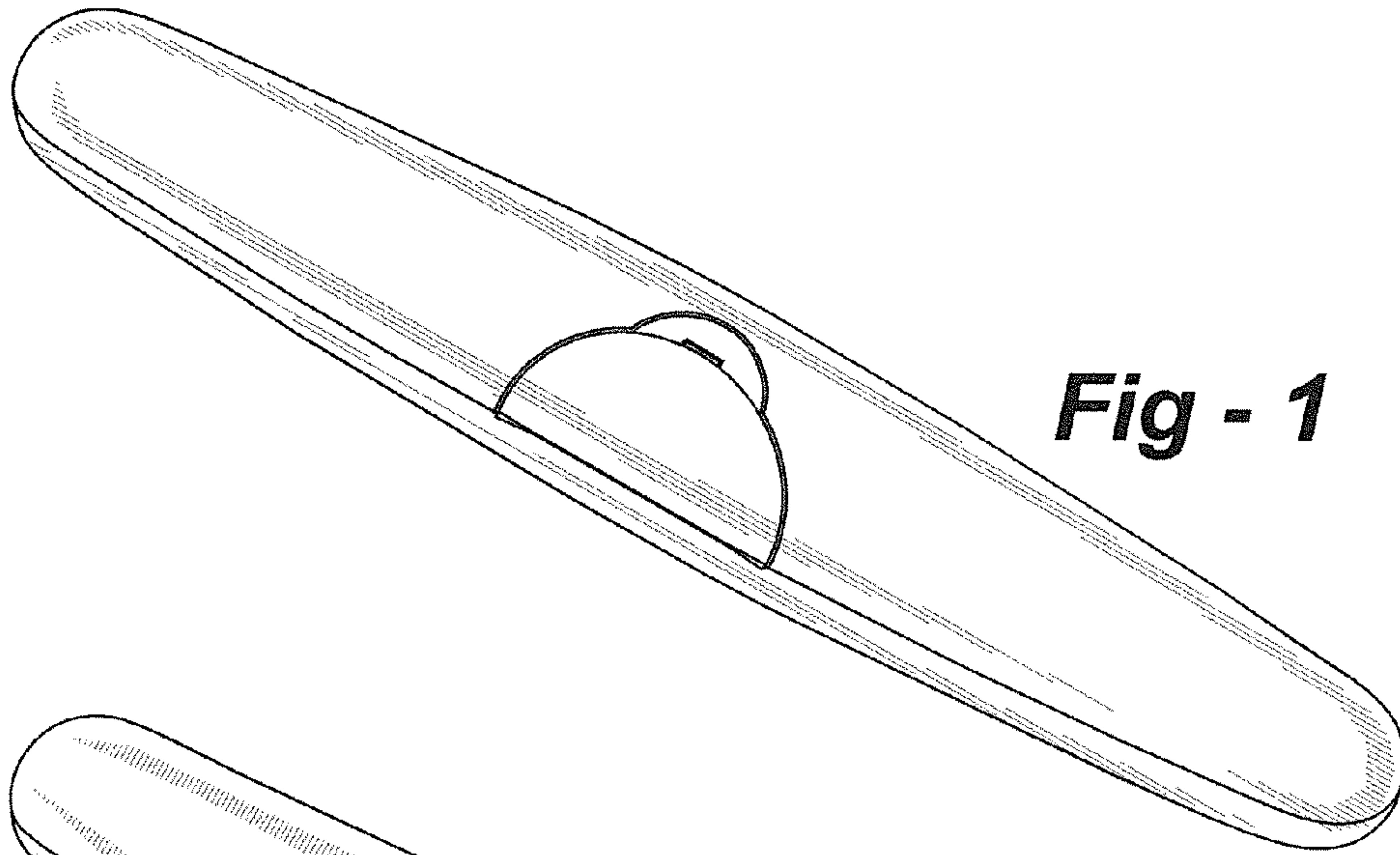


Fig - 1

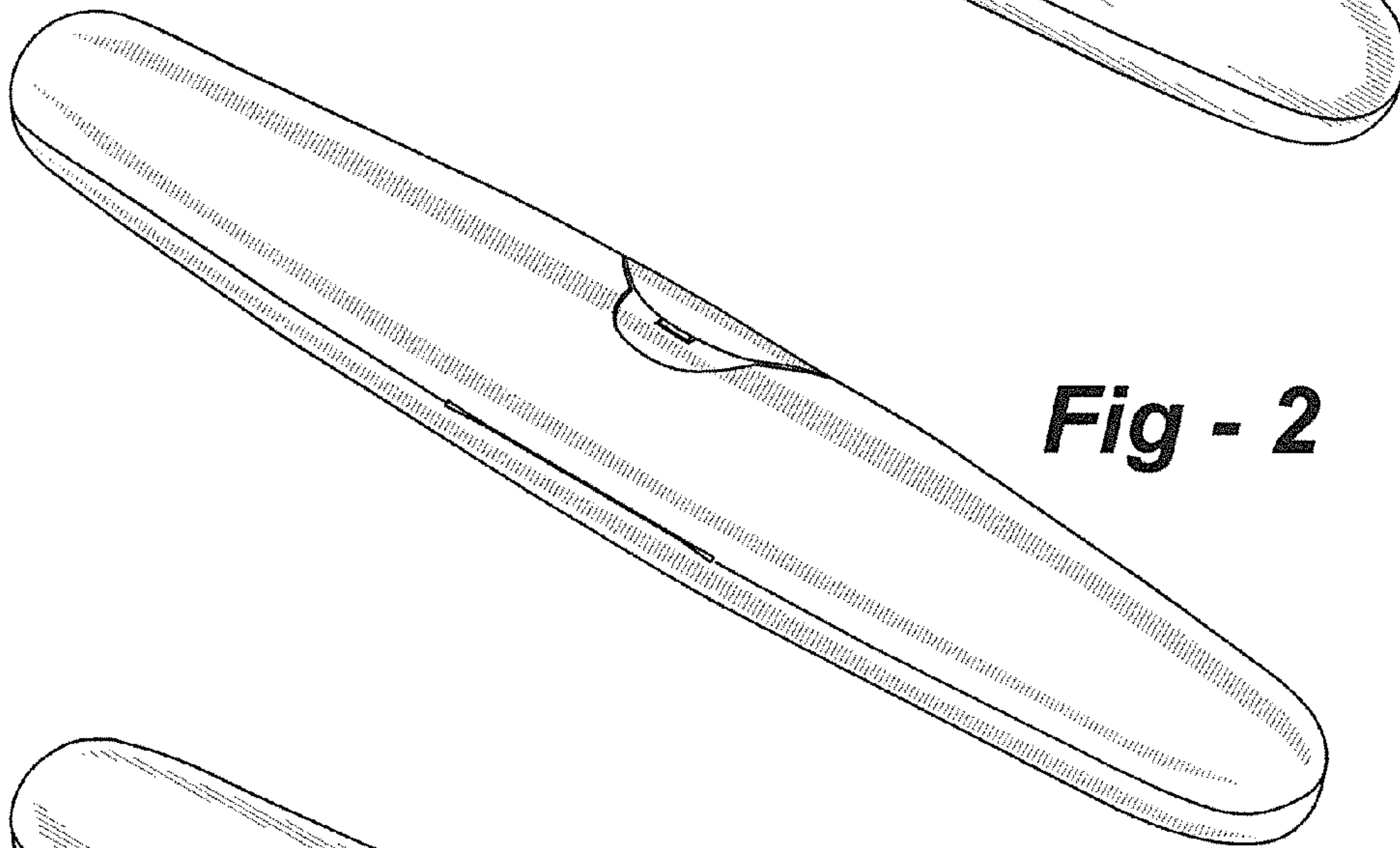


Fig - 2

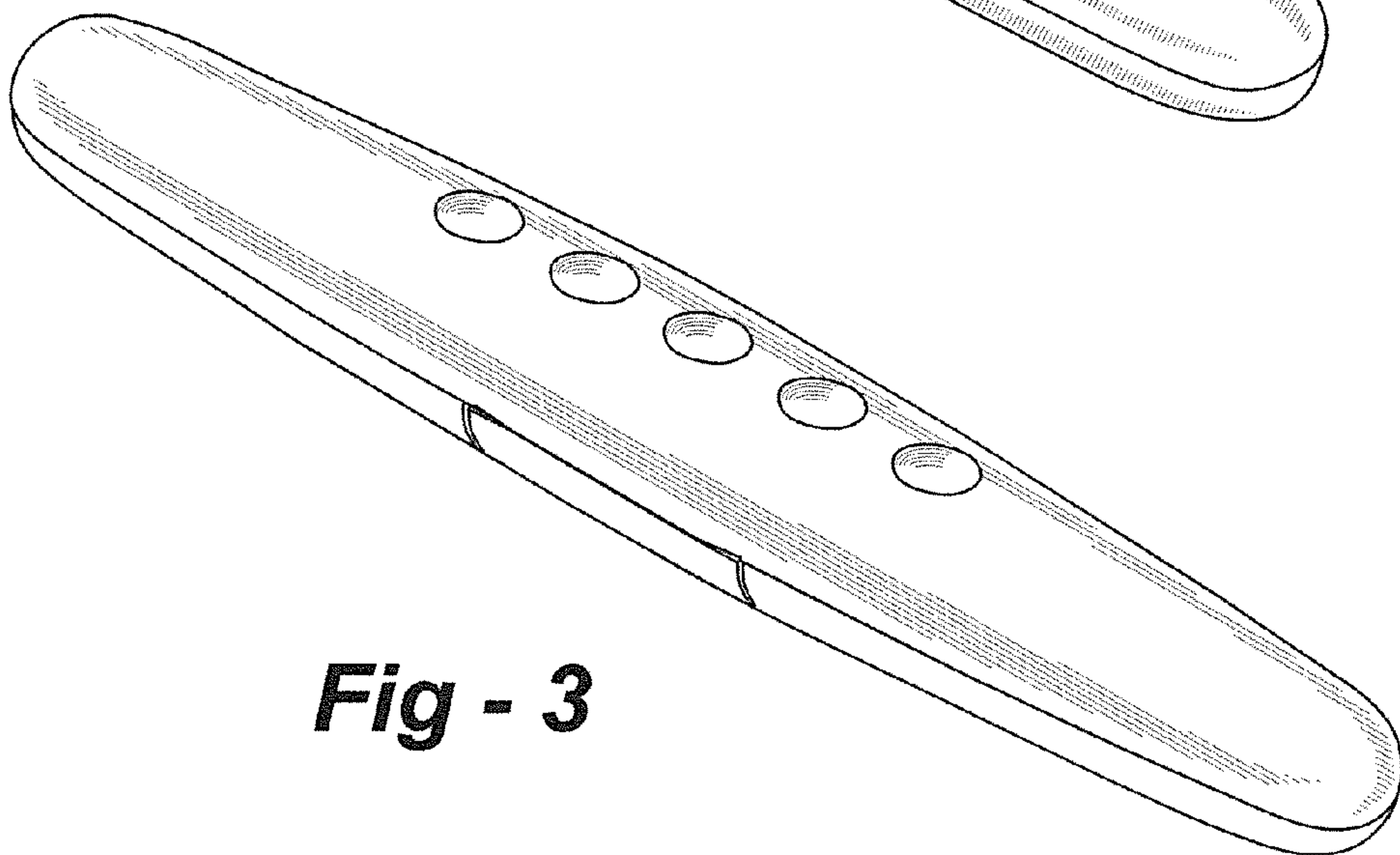


Fig - 3

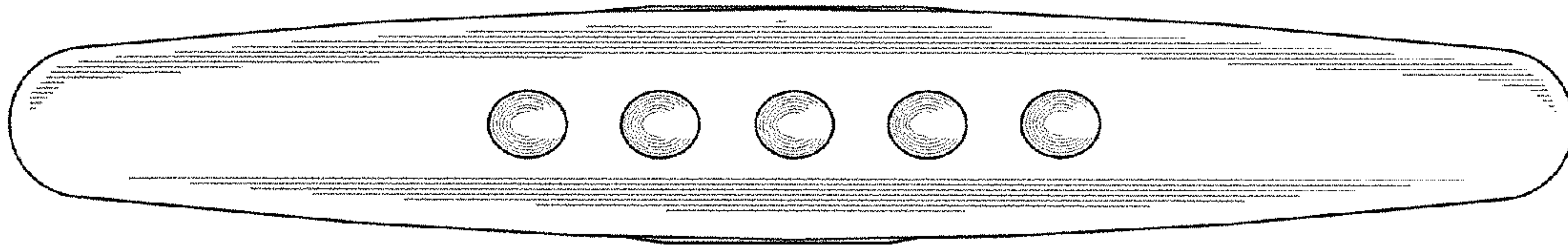


Fig - 4

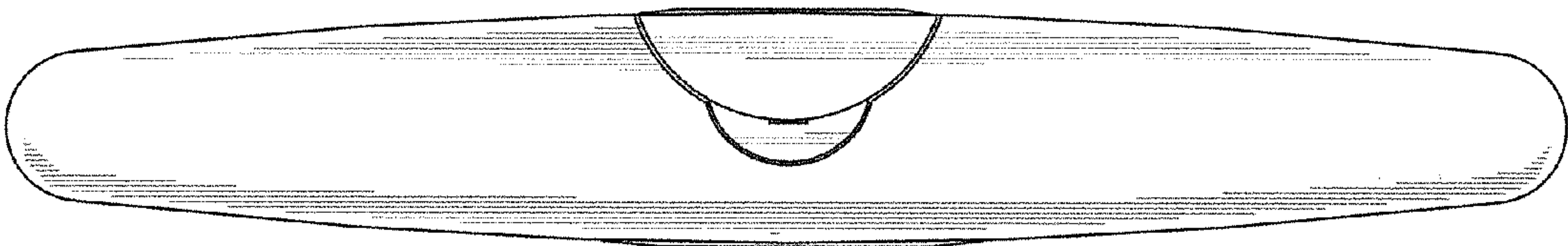


Fig - 5

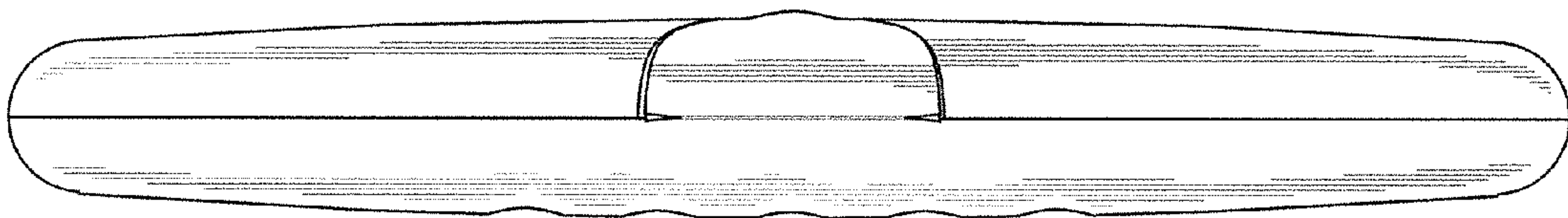


Fig - 6

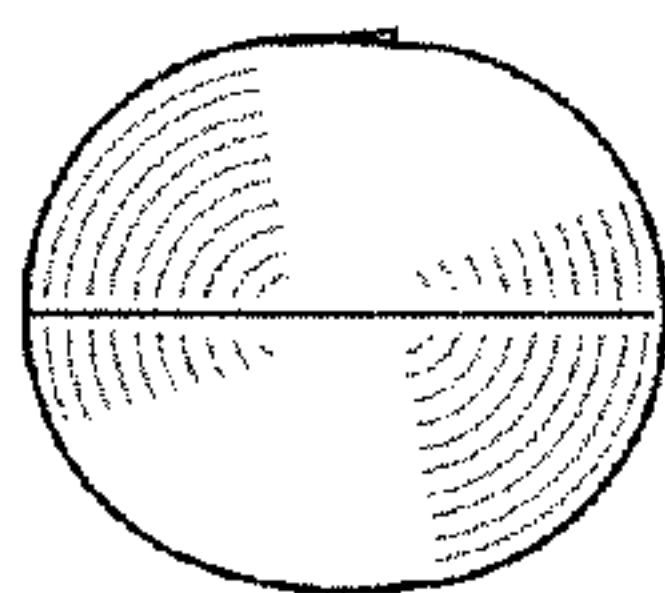


Fig - 7

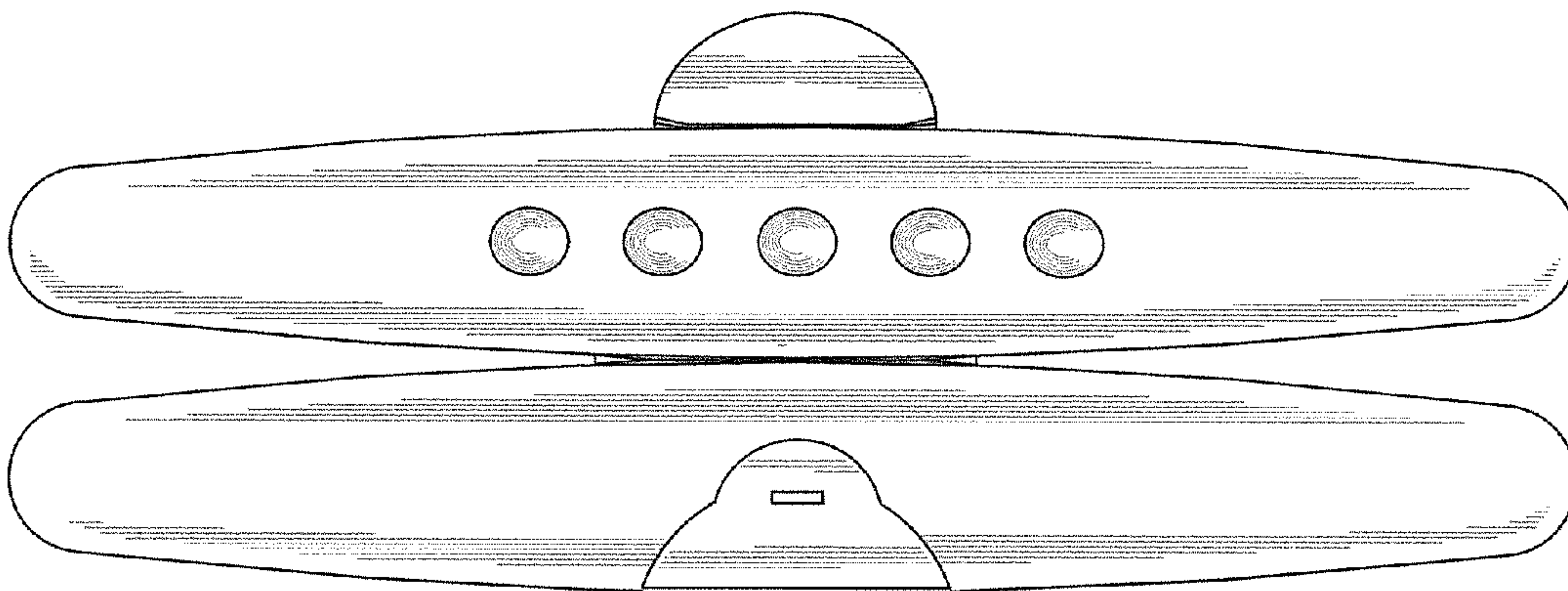


Fig - 8

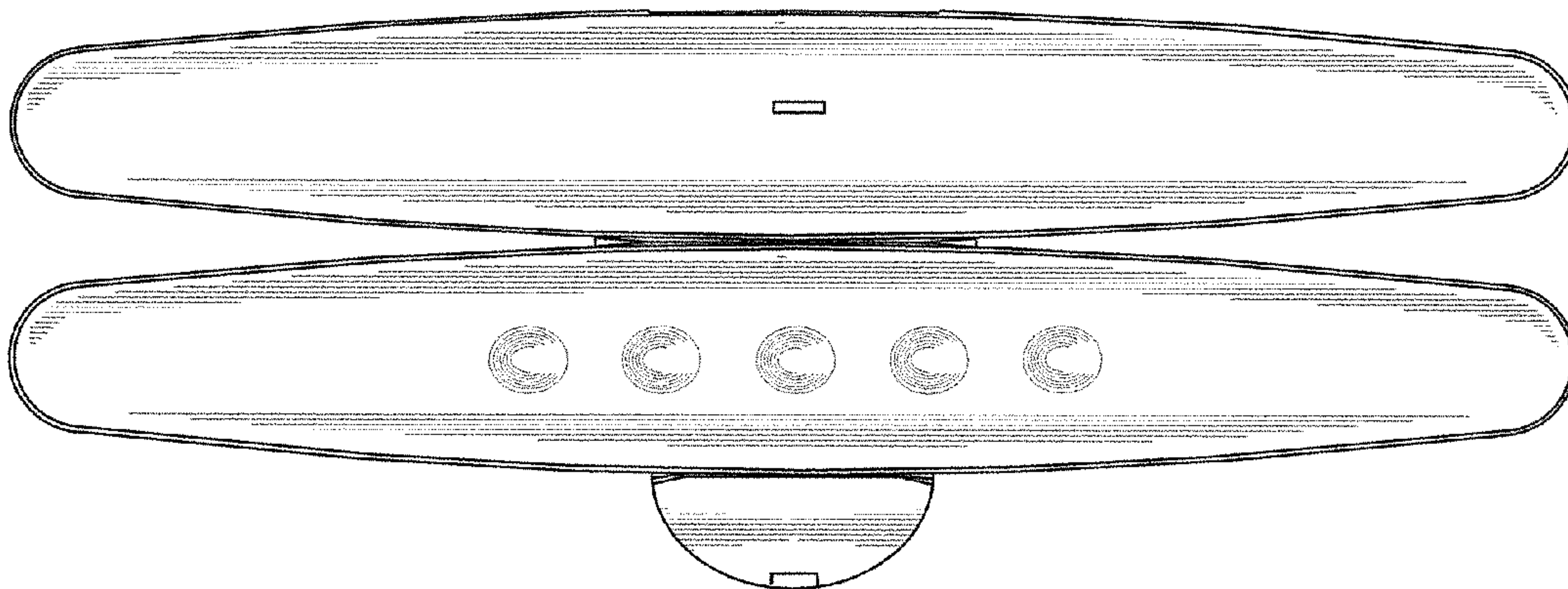


Fig - 9