



US00D727034S

(12) **United States Design Patent**
Lewis

(10) **Patent No.:** **US D727,034 S**

(45) **Date of Patent:** **** Apr. 21, 2015**

(54) **PAINT BRUSH COVER**

(71) Applicant: **David Lewis**, Hyde Park, MA (US)

(72) Inventor: **David Lewis**, Hyde Park, MA (US)

(**) Term: **14 Years**

(21) Appl. No.: **29/502,674**

(22) Filed: **Sep. 18, 2014**

(51) **LOC (10) Cl.** **04-99**

(52) **U.S. Cl.**
USPC **D4/199**

(58) **Field of Classification Search**

CPC . A46B 17/04; A46B 2200/202; B65D 25/105
USPC D3/228, 269, 300; D4/199; D9/702,
D9/711, 712; 15/246, 247; 150/161;
206/15.3, 284, 361, 362.2, 362.3,
206/362.4; 428/34.3

See application file for complete search history.

(56) **References Cited**

U.S. PATENT DOCUMENTS

2,051,267	A *	8/1936	Mezey	206/361
4,847,939	A *	7/1989	Derencsenyi et al.	15/246
D429,073	S *	8/2000	Kessel et al.	D4/199
D436,450	S *	1/2001	Wilson	D4/199
D457,732	S *	5/2002	Ray	D4/199
D510,813	S *	10/2005	Gilman	D4/199
D623,862	S *	9/2010	Nitzsche	D4/199
8,074,796	B1 *	12/2011	Andrews	206/361
D661,907	S *	6/2012	Birkland	D4/199

FOREIGN PATENT DOCUMENTS

WO	8804238	6/1988
WO	03028504 A2	4/2003
WO	2004110209 A2	12/2004
WO	2013163392	10/2013

* cited by examiner

Primary Examiner — Austin Murphy

(74) *Attorney, Agent, or Firm* — David J. Connaughton, Jr.;
Gery E. Lambert; Lambert & Associates

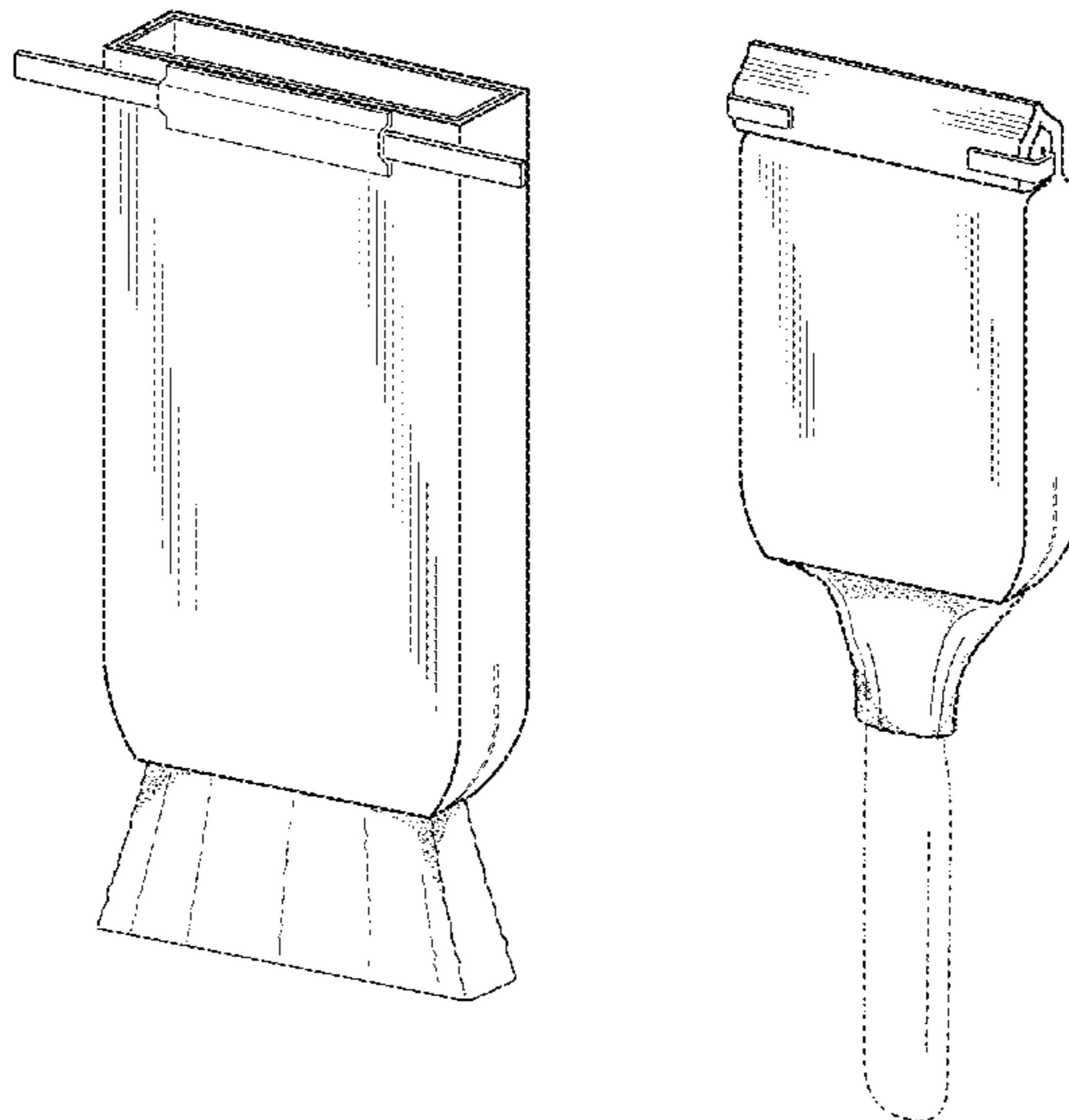
(57) **CLAIM**

The ornamental design for a paint brush cover, as shown and described.

DESCRIPTION

FIG. 1 is a bottom right isometric view of the front of the paint brush cover, which embodies my design;
 FIG. 2 is a rear elevation view thereof;
 FIG. 3 is a front elevation view thereof;
 FIG. 4 is a side elevation view thereof;
 FIG. 5 is a side elevation view thereof;
 FIG. 6 is an end elevation view thereof;
 FIG. 7 is an end elevation view thereof;
 FIG. 8 is a second bottom right isometric view thereof, shown in use. The paint brush and handle depicted by broken lines in FIG. 8 has been shown for the purpose of illustrating an environmental feature that forms no part of the claimed design;
 FIG. 9 is a third bottom right isometric view thereof, shown in use. The paint brush handle depicted by broken lines in FIG. 9 has been shown for the purpose of illustrating an environmental feature that forms no part of the claimed design; and,
 FIG. 10 is a fourth bottom right isometric view thereof, shown in use. The paint brush and handle depicted by broken lines in FIG. 10 has been shown for the purpose of illustrating an environmental feature that forms no part of the claimed design.

1 Claim, 5 Drawing Sheets



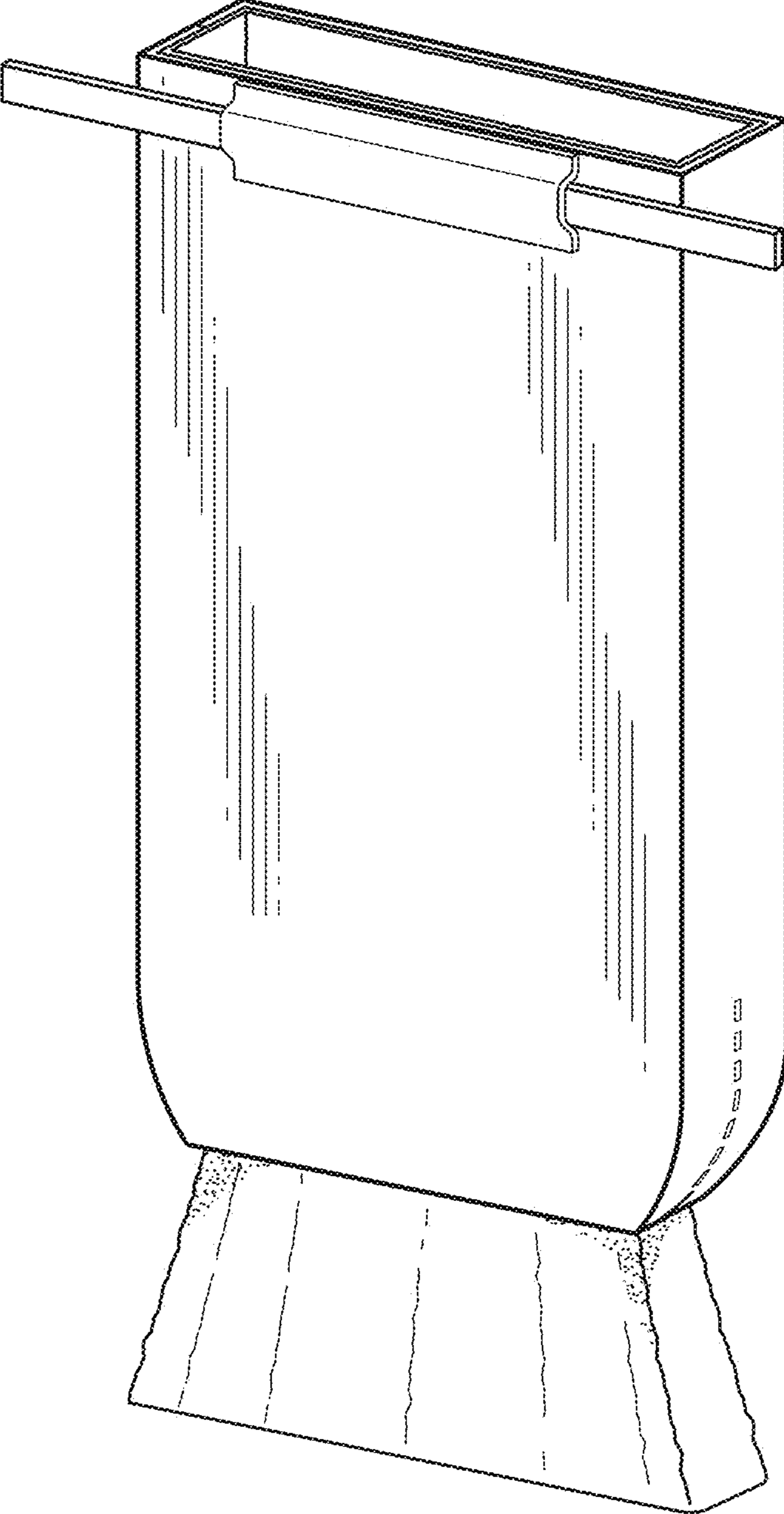


Fig. 1

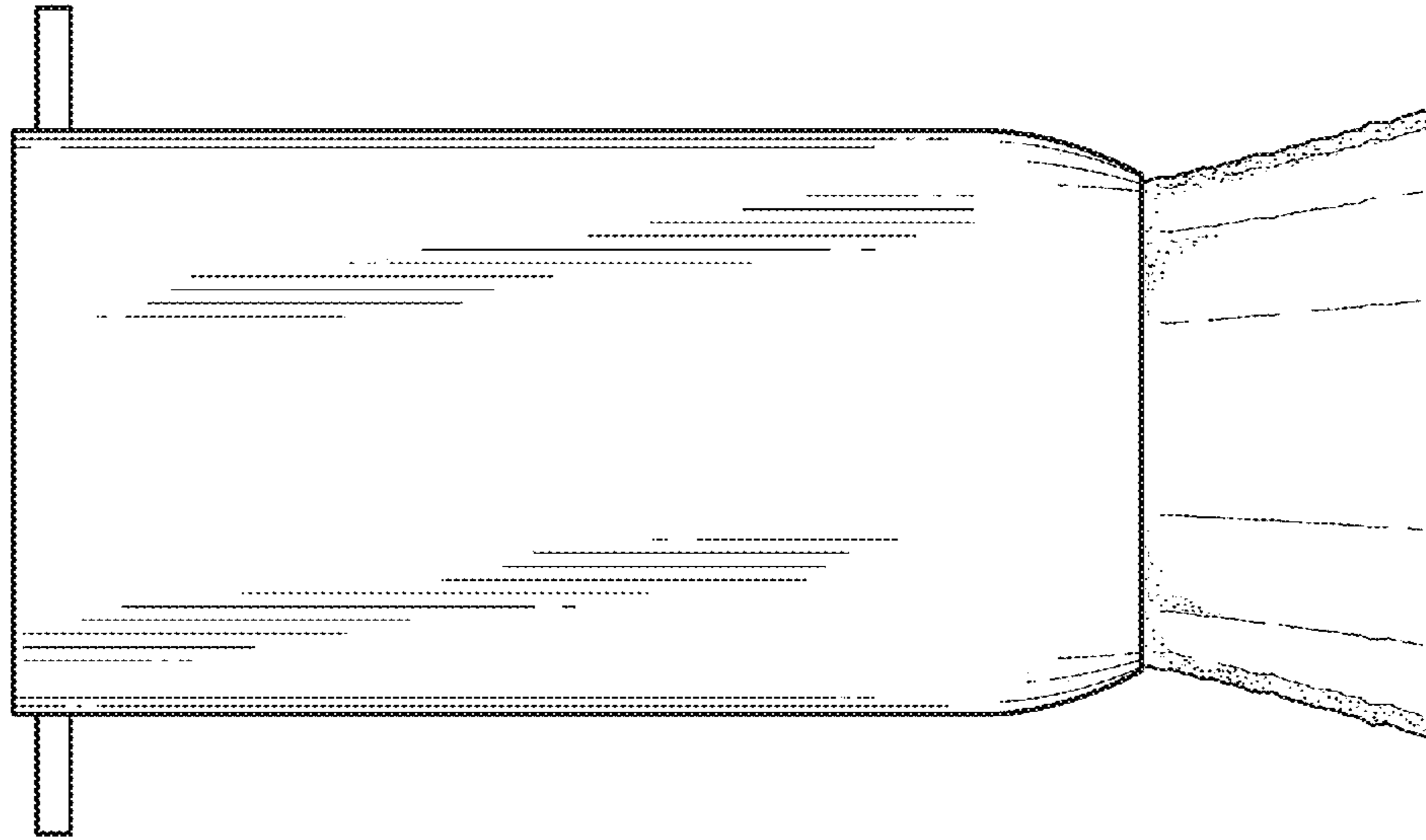


Fig. 3

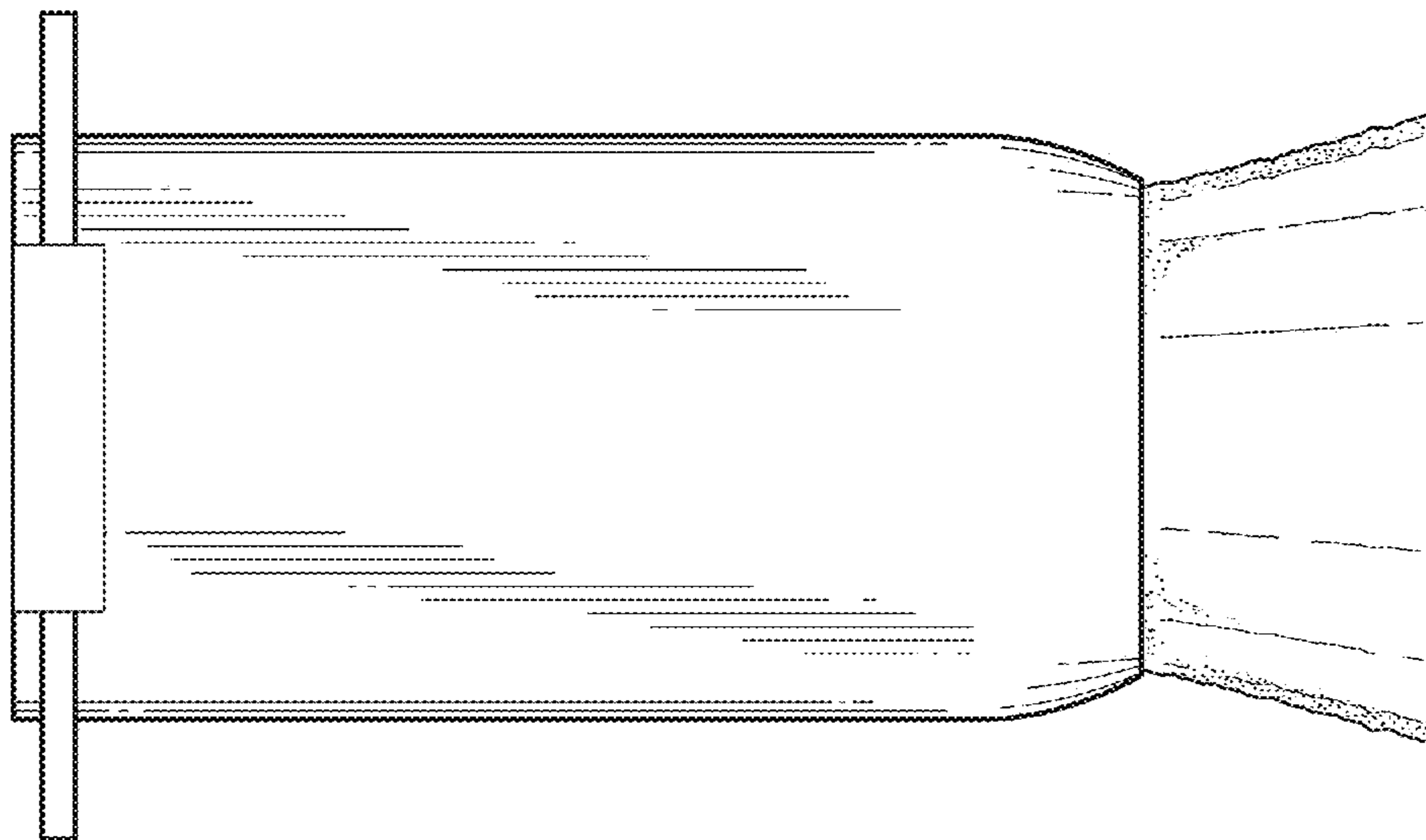


Fig. 2

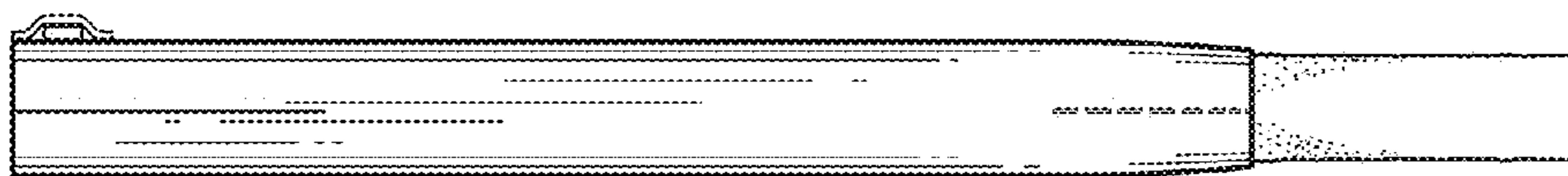


Fig. 4

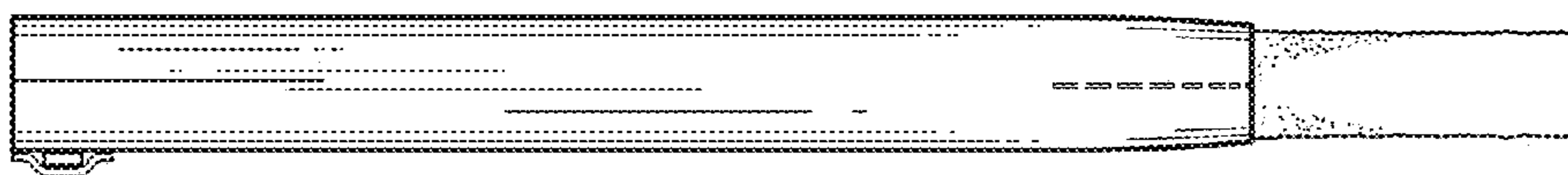


Fig. 5

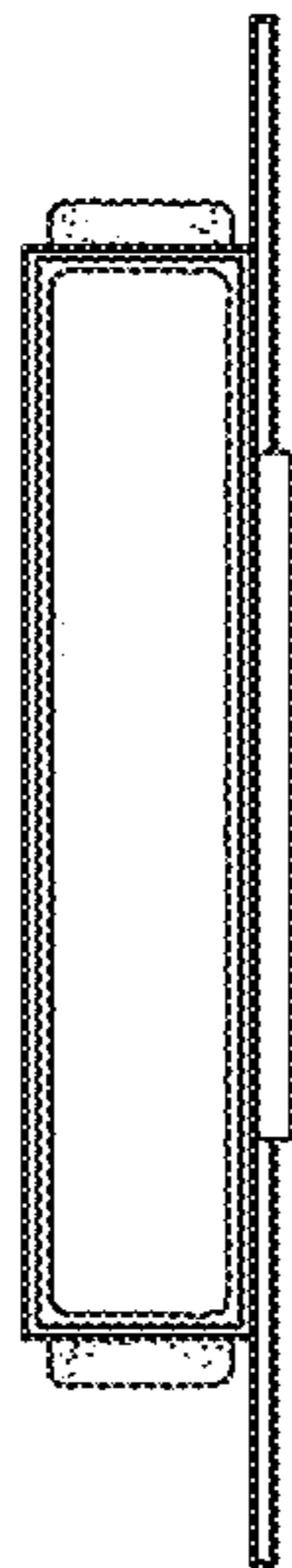


Fig. 6

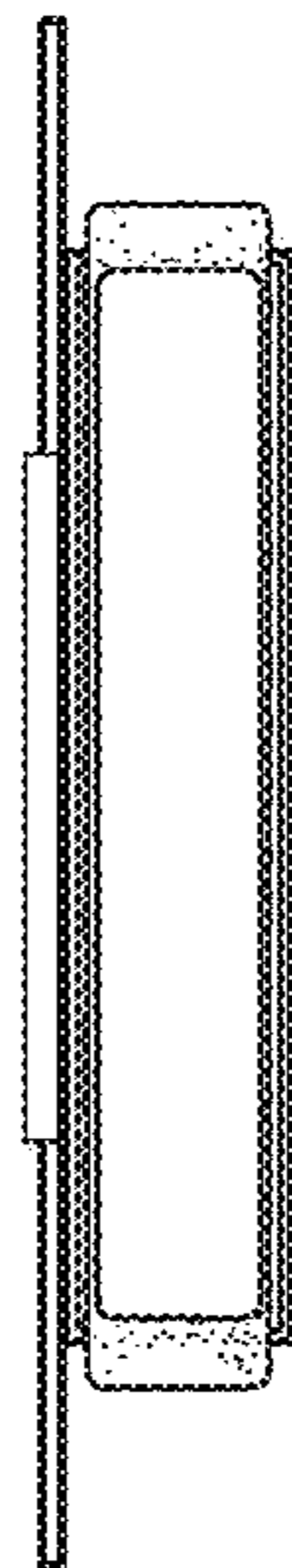


Fig. 7

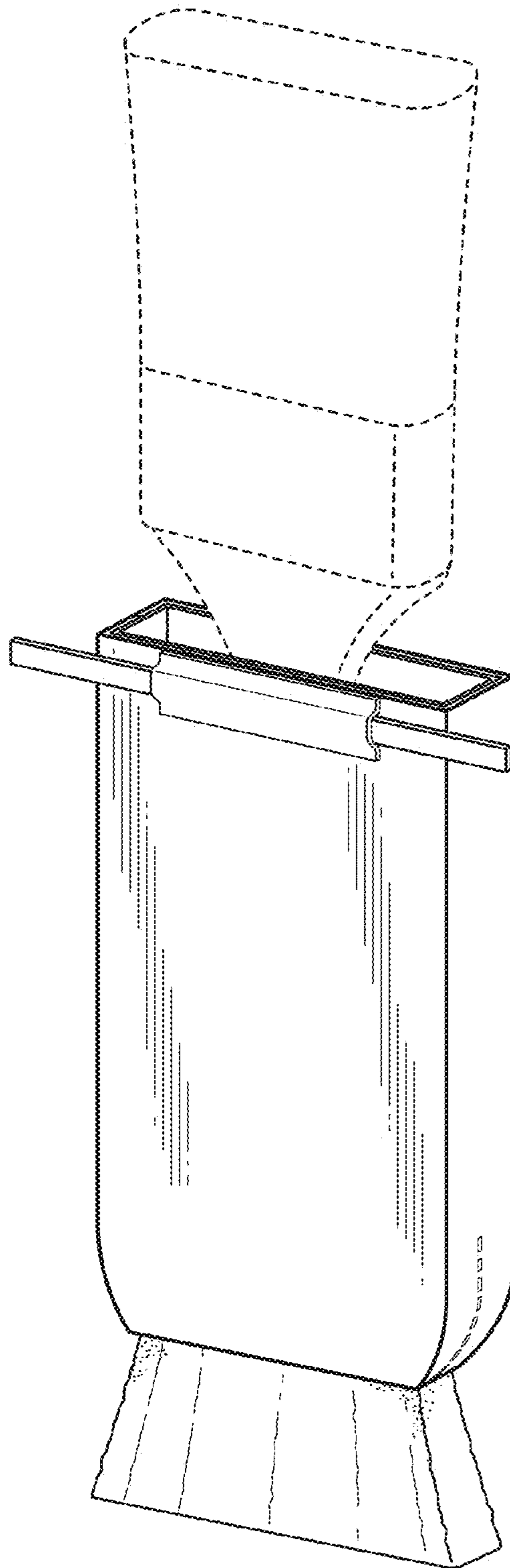


Fig. 8

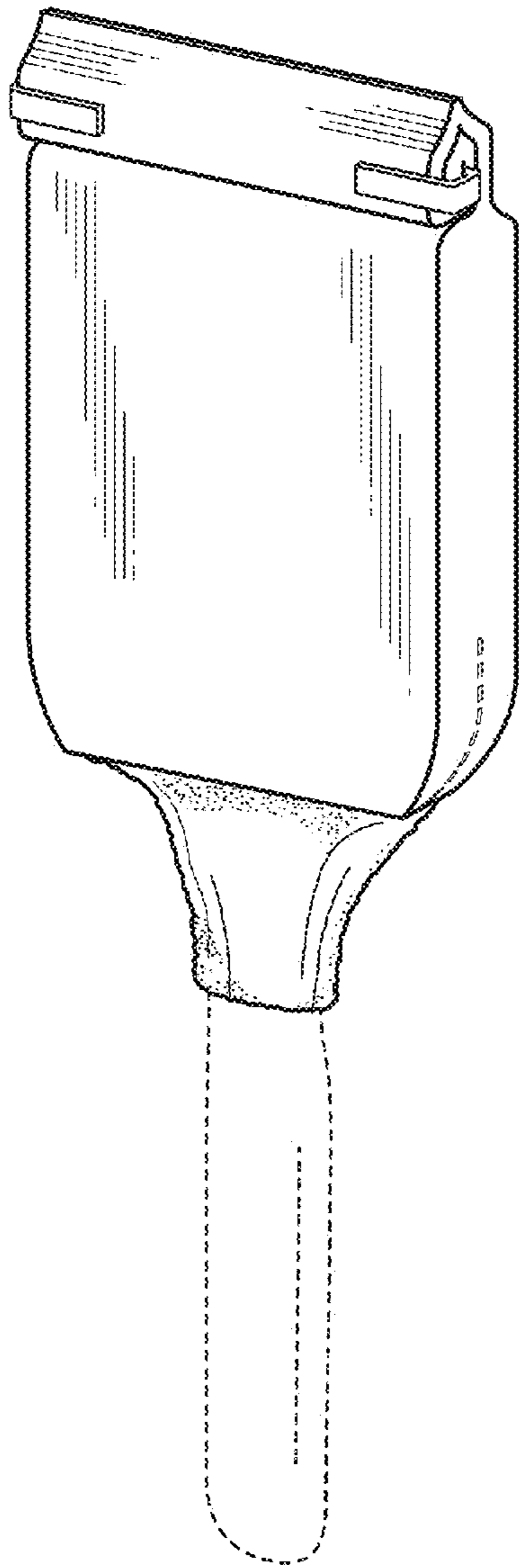


Fig. 9

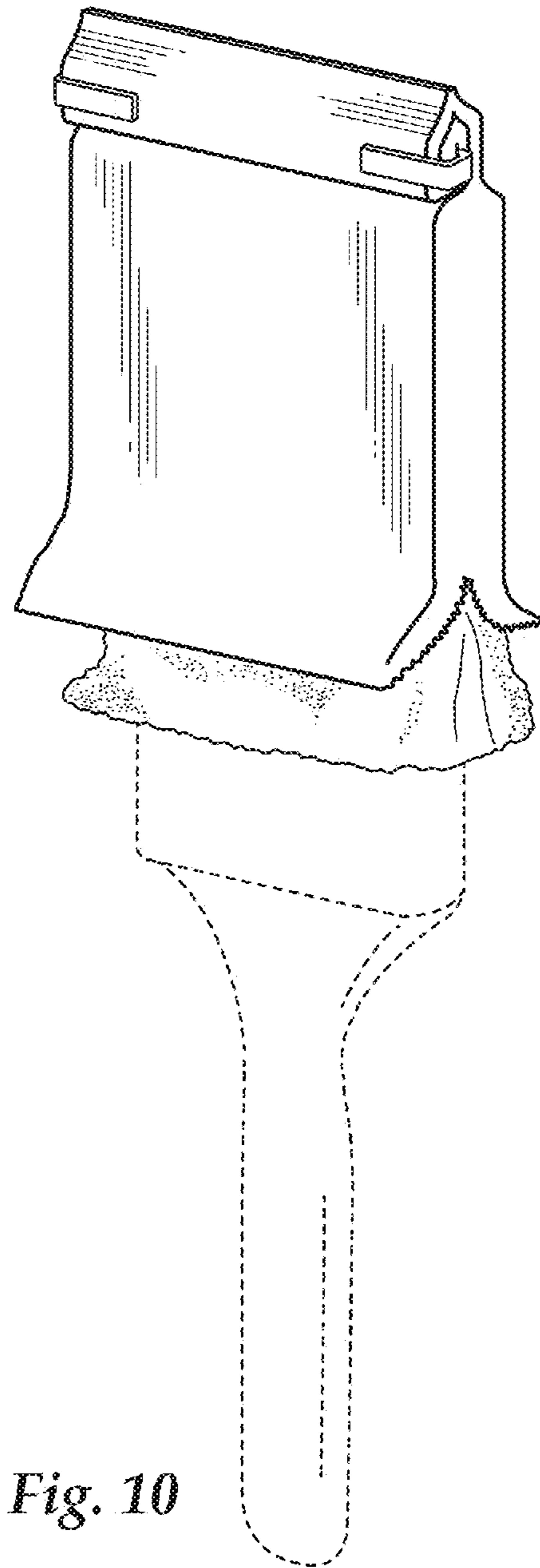


Fig. 10