



US00D727033S

(12) **United States Design Patent**  
**Shafer et al.**

(10) **Patent No.:** **US D727,033 S**

(45) **Date of Patent:** **\*\* Apr. 21, 2015**

(54) **CLEANING DEVICE**

(56) **References Cited**

(75) Inventors: **Adam Robert George Shafer**,  
Cincinnati, OH (US); **David William**  
**Schuller**, Lebanon, OH (US); **Igor**  
**Ivanovich Zemskov**, Dublin, OH (US);  
**Rainer Bernhard Teufel**, Worthington,  
OH (US); **Richard Lee Lane**,  
Columbus, OH (US); **Sun-Jan Alan**  
**Huang**, Pittsburgh, PA (US)

U.S. PATENT DOCUMENTS

2,859,463 A \* 11/1958 Hirsch ..... 401/139  
3,135,990 A \* 6/1964 Bergmann et al. .... 401/286  
4,071,983 A \* 2/1978 Thielen ..... 451/525

(Continued)

*Primary Examiner* — Melanie H Tung  
*Assistant Examiner* — Lavone D Tabor  
(74) *Attorney, Agent, or Firm* — Larry L. Huston; Steven W. Miller

(73) Assignee: **The Procter & Gamble Company**,  
Cincinnati, OH (US)

(57) **CLAIM**  
The ornamental design for a cleaning device, as shown and described.

(\*\*) Term: **14 Years**

**DESCRIPTION**

(21) Appl. No.: **29/424,663**

FIG. 1 is a perspective view of an embodiment of a cleaning device;

(22) Filed: **Jun. 14, 2012**

FIG. 2 is a side view of the cleaning device of FIG. 1;

(51) **LOC (10) Cl.** ..... **04-01**

FIG. 3 is a further side view of the cleaning device of FIG. 1;

(52) **U.S. Cl.**

FIG. 4 is a top view of the cleaning device of FIG. 1;

USPC ..... **D4/119; D4/114**

FIG. 5 is a bottom view of the cleaning device of FIG. 1;

(58) **Field of Classification Search**

CPC ..... A47L 1/06; A47L 1/08; A47L 1/13;

FIG. 6 is a front view of the cleaning device of FIG. 1;

A47L 1/15; A47L 13/00; A47L 13/10; A47L

FIG. 7 is a rear view of the cleaning device of FIG. 1;

13/12; A47L 13/16; A47L 13/17; A47L 13/26

FIG. 8 is a perspective view of an alternative embodiment of a cleaning device;

USPC ..... D4/114, 116, 119, 120, 137; D8/45,

FIG. 9 is a side view of the cleaning device of FIG. 8;

D8/107; D28/63; D32/35, 40, 42, 45, 52;

FIG. 10 is a further side view of the cleaning device of FIG. 8;

15/114, 118; 401/16, 25, 27, 137–139,

FIG. 11 is a top view of the cleaning device of FIG. 8;

401/187, 188 R, 190, 192, 205, 207

FIG. 12 is a bottom view of the cleaning device of FIG. 8;

FIG. 13 is a front view of the cleaning device of FIG. 8; and,

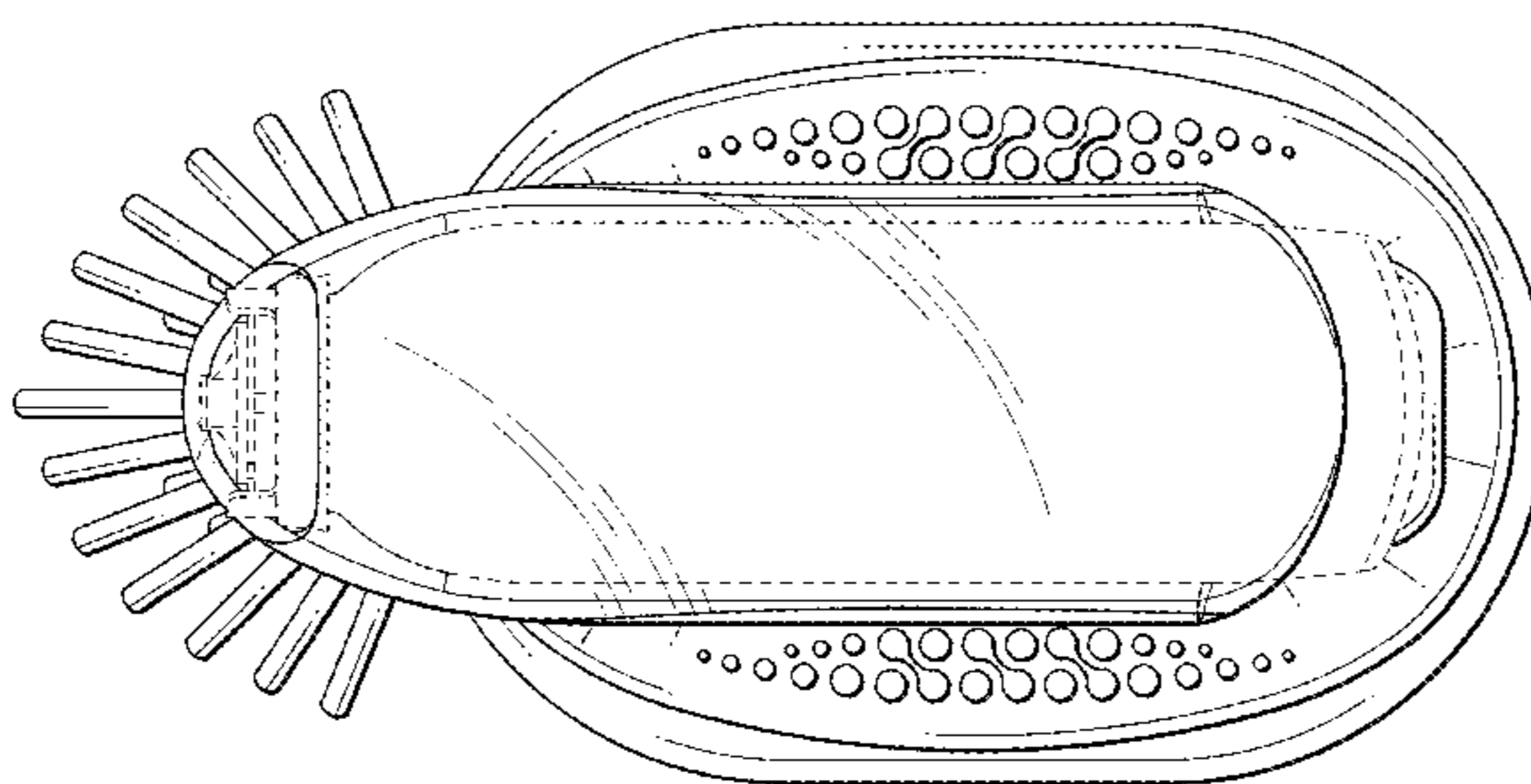
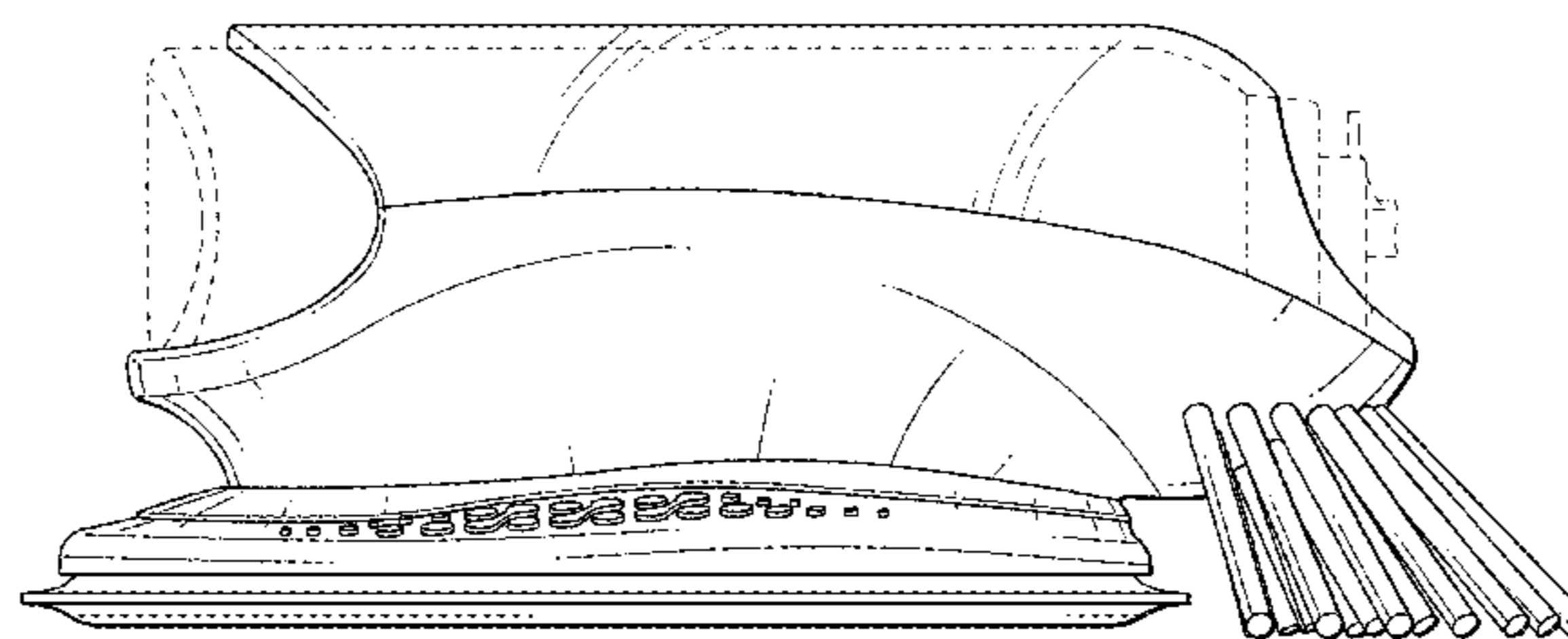
FIG. 14 is a rear view of the cleaning device of FIG. 8.

The broken lines showing a container illustrate a portion of the cleaning device that forms no part of the claimed design while the broken lines showing the series of raised features in

FIGS. 8-11, 13, and 14 illustrate portions of the cleaning device that form no part of the second embodiment.

See application file for complete search history.

**1 Claim, 6 Drawing Sheets**



(56)

**References Cited**

U.S. PATENT DOCUMENTS

4,510,641 A \* 4/1985 Morris ..... 15/118  
D286,696 S \* 11/1986 Gatarz et al. .... D32/45  
D294,989 S \* 3/1988 Jenkins ..... D32/45  
4,859,102 A \* 8/1989 Chamieh ..... 401/17

D456,575 S \* 4/2002 Celia et al. .... D32/40  
D531,003 S \* 10/2006 Collins ..... D8/107  
D653,828 S \* 2/2012 Seehoff et al. .... D32/52  
D673,746 S \* 1/2013 Pung et al. .... D32/40  
8,627,986 B2 \* 1/2014 Bradbury et al. .... 222/402.11  
2011/0225756 A1 \* 9/2011 Chapman et al. .... 15/159.1

\* cited by examiner

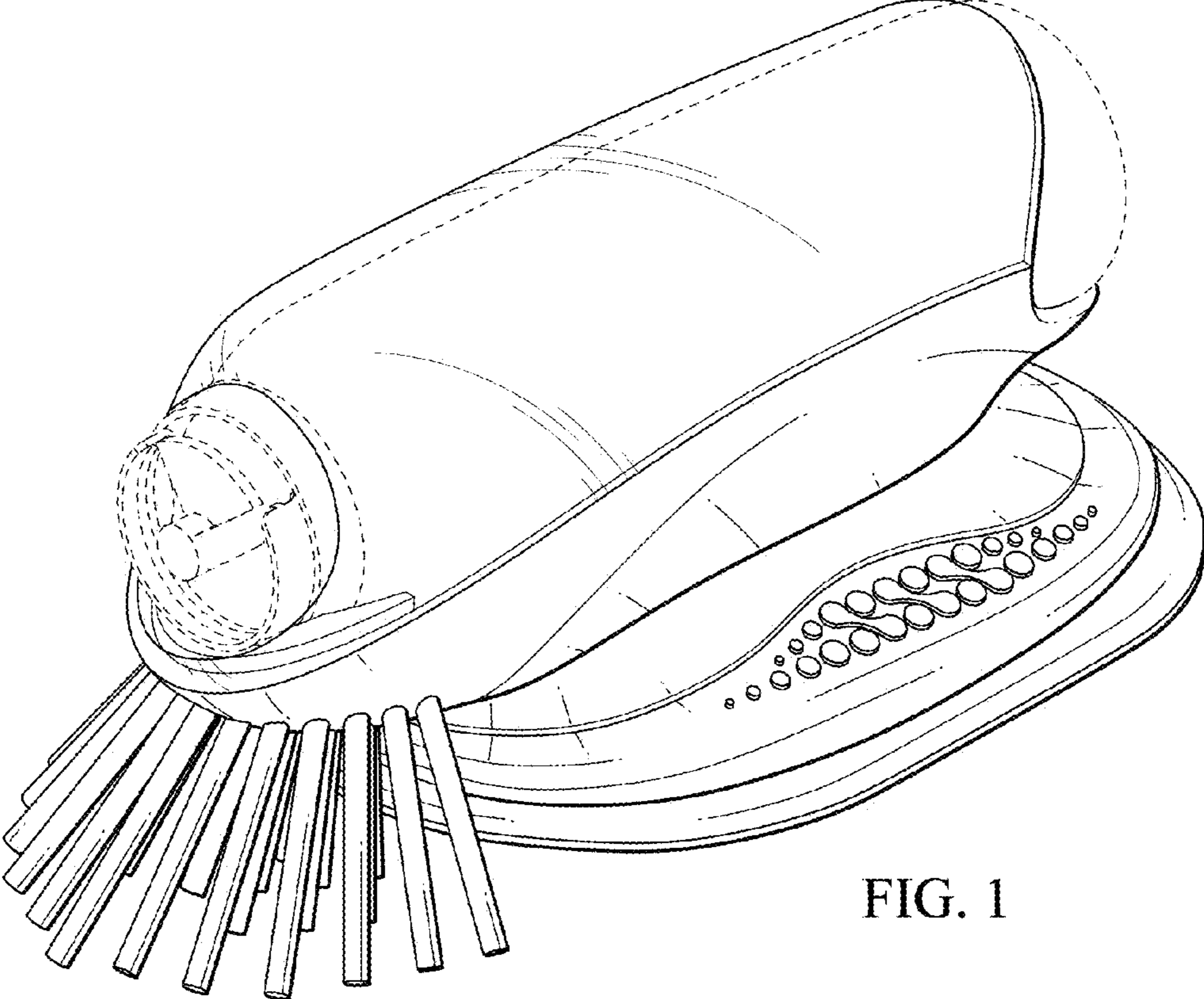


FIG. 1

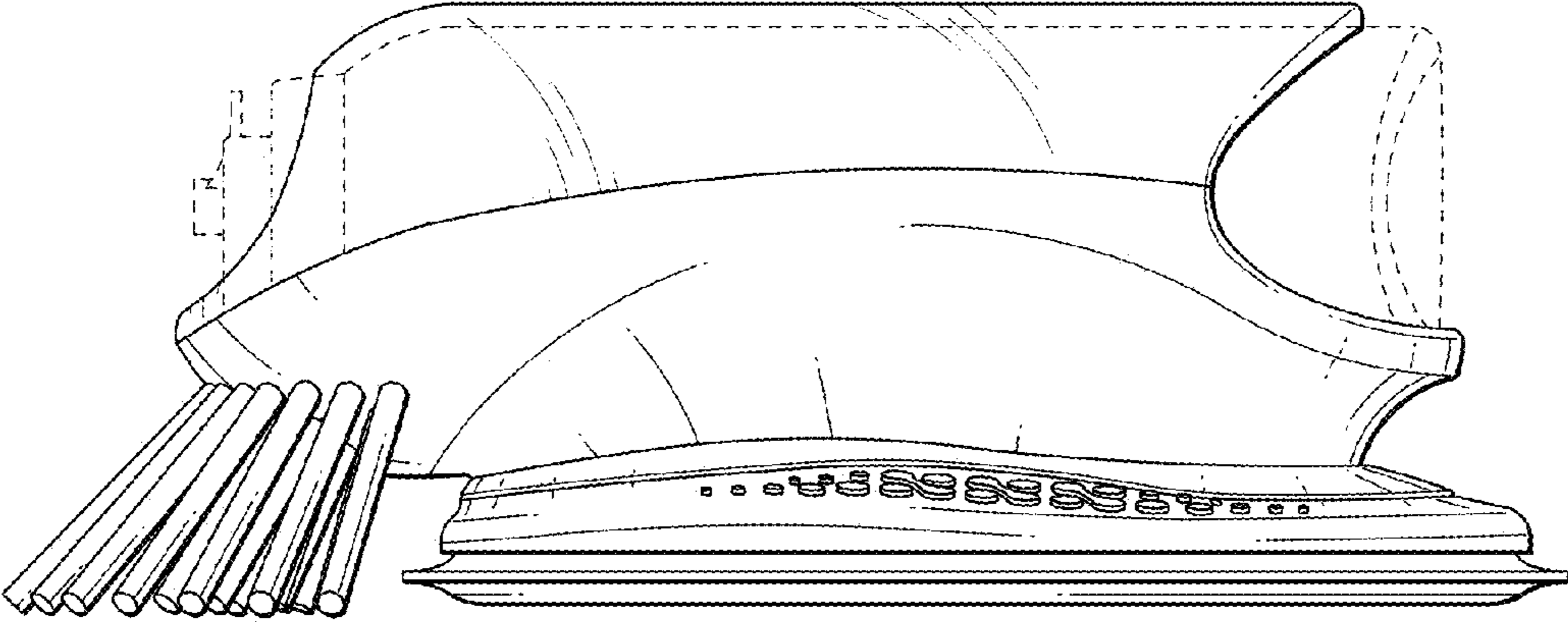


FIG. 2

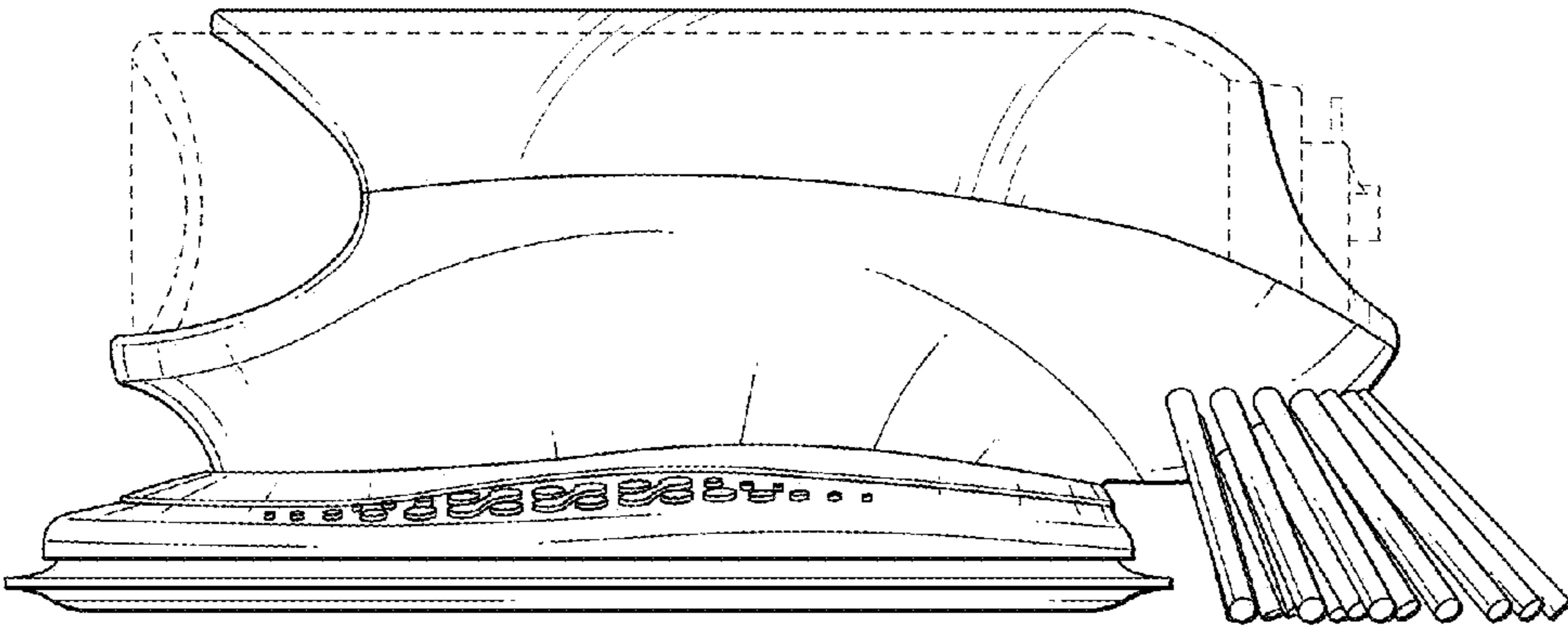


FIG. 3

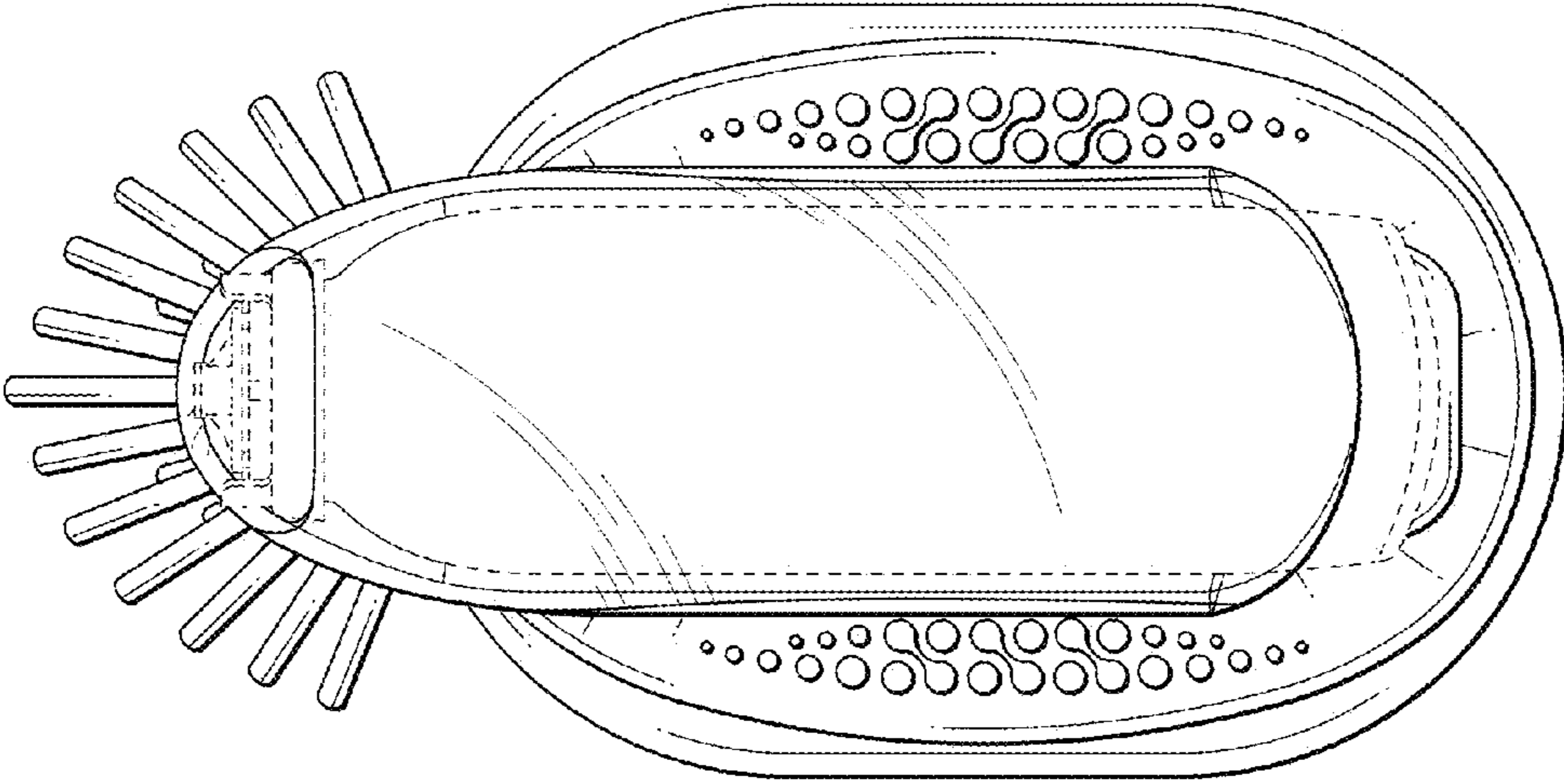


FIG. 4

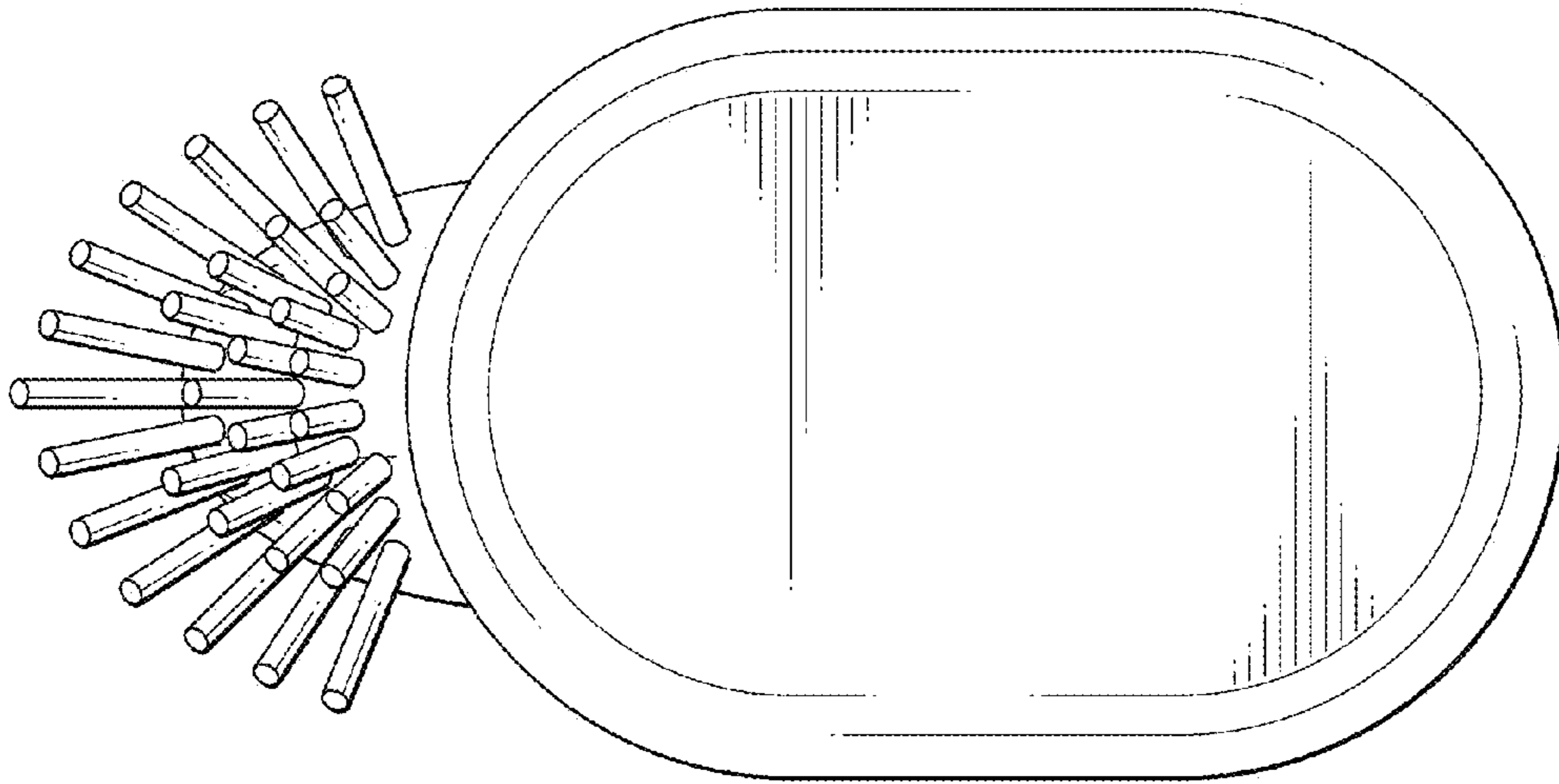


FIG. 5

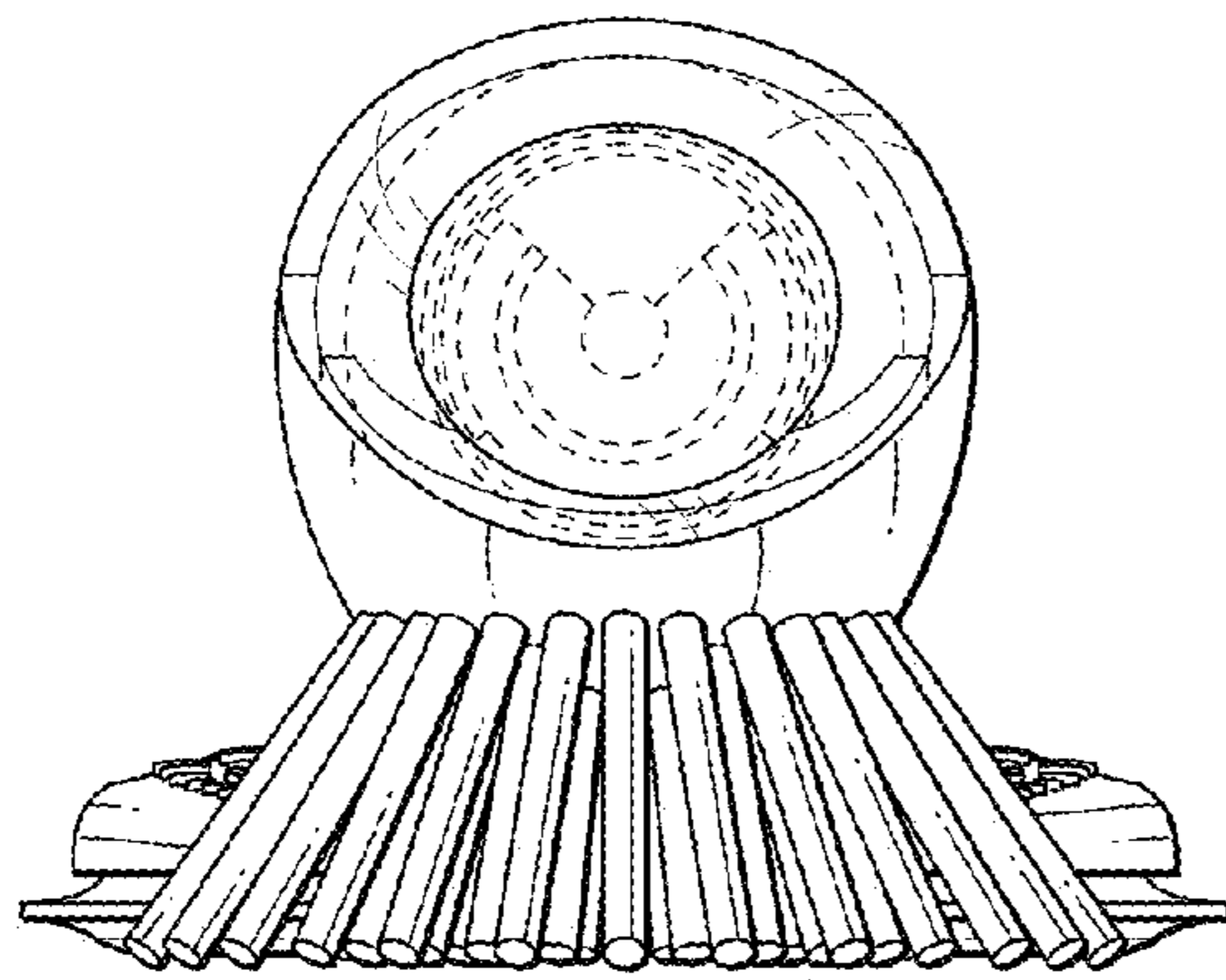


FIG. 6

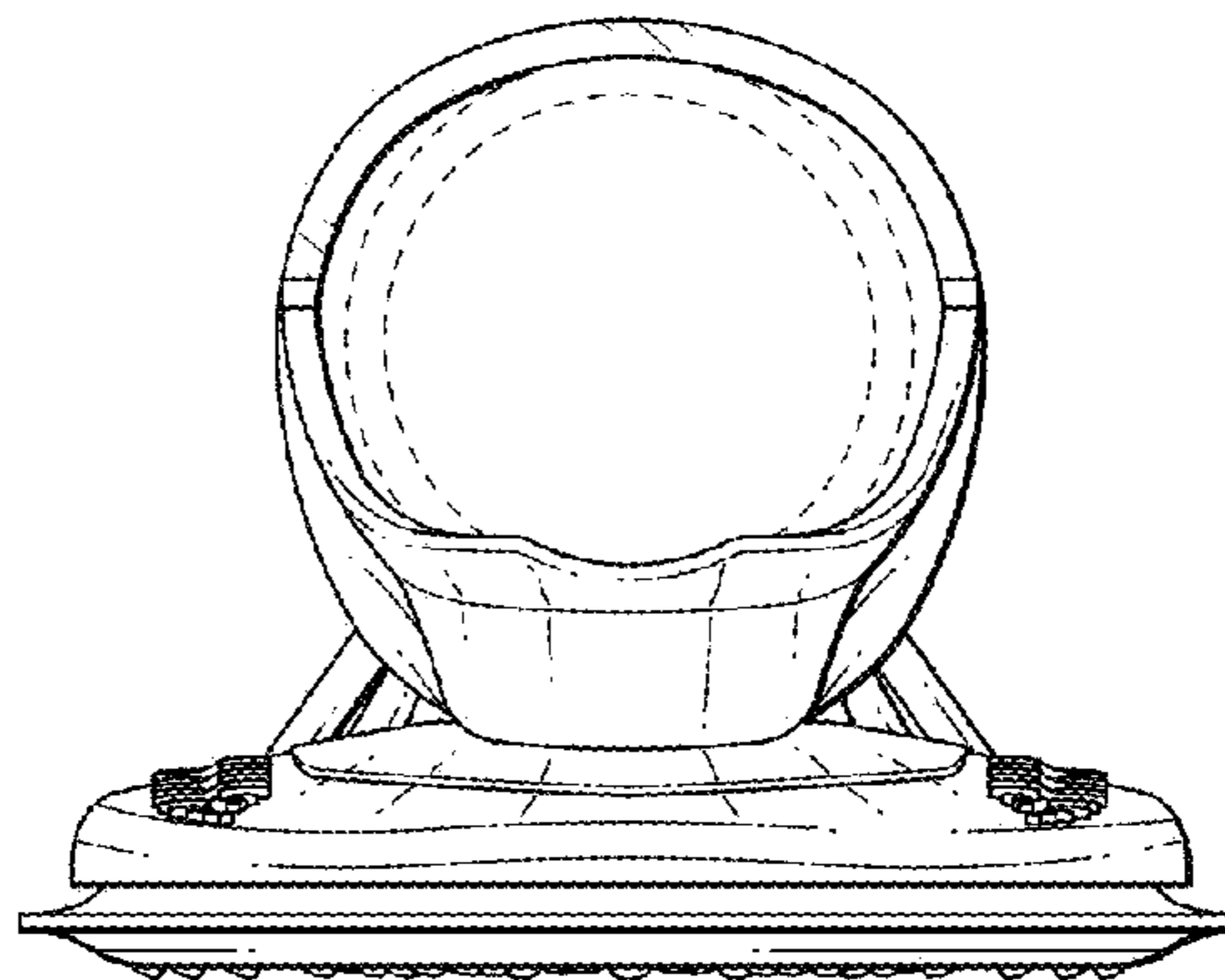


FIG. 7

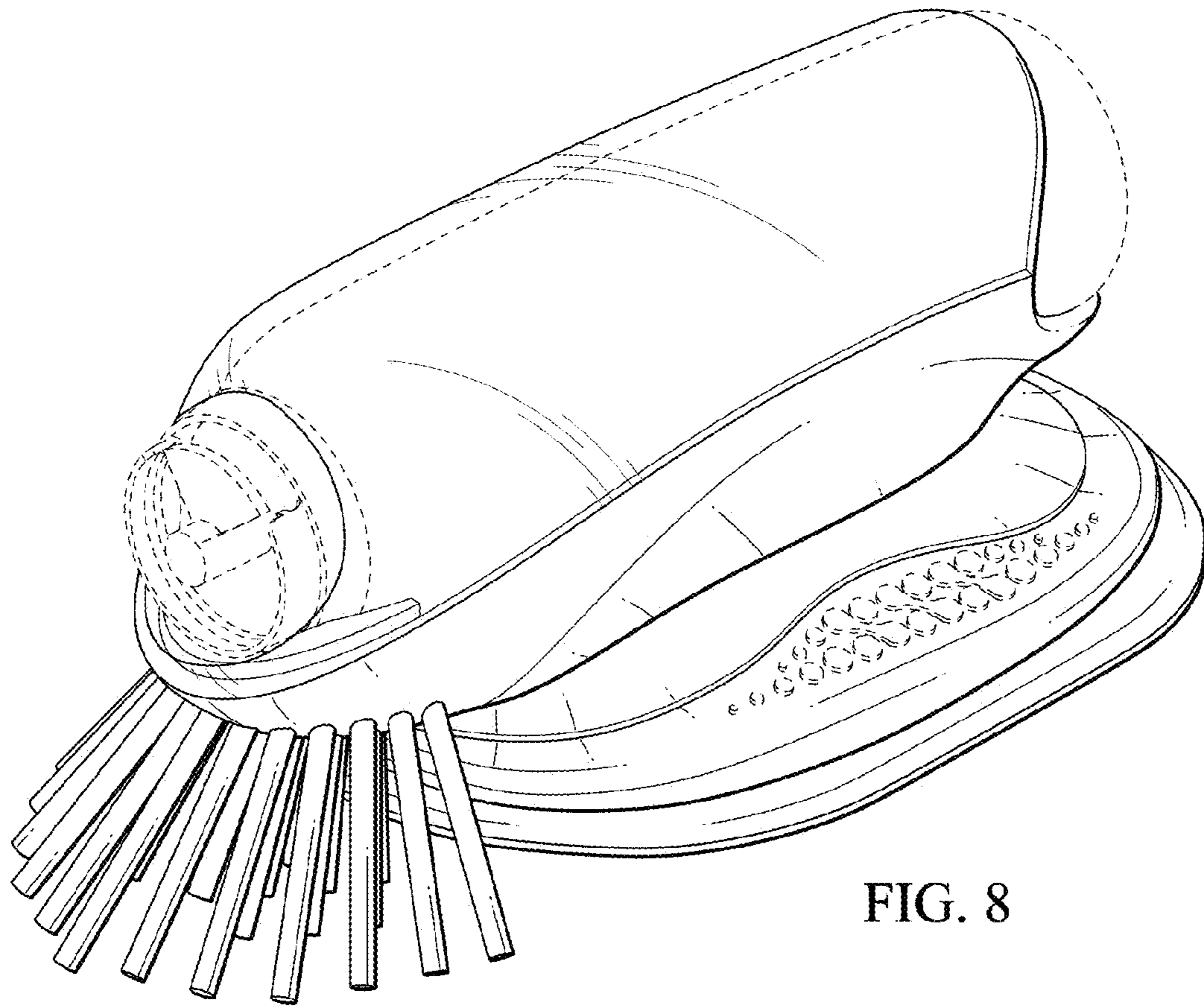


FIG. 8

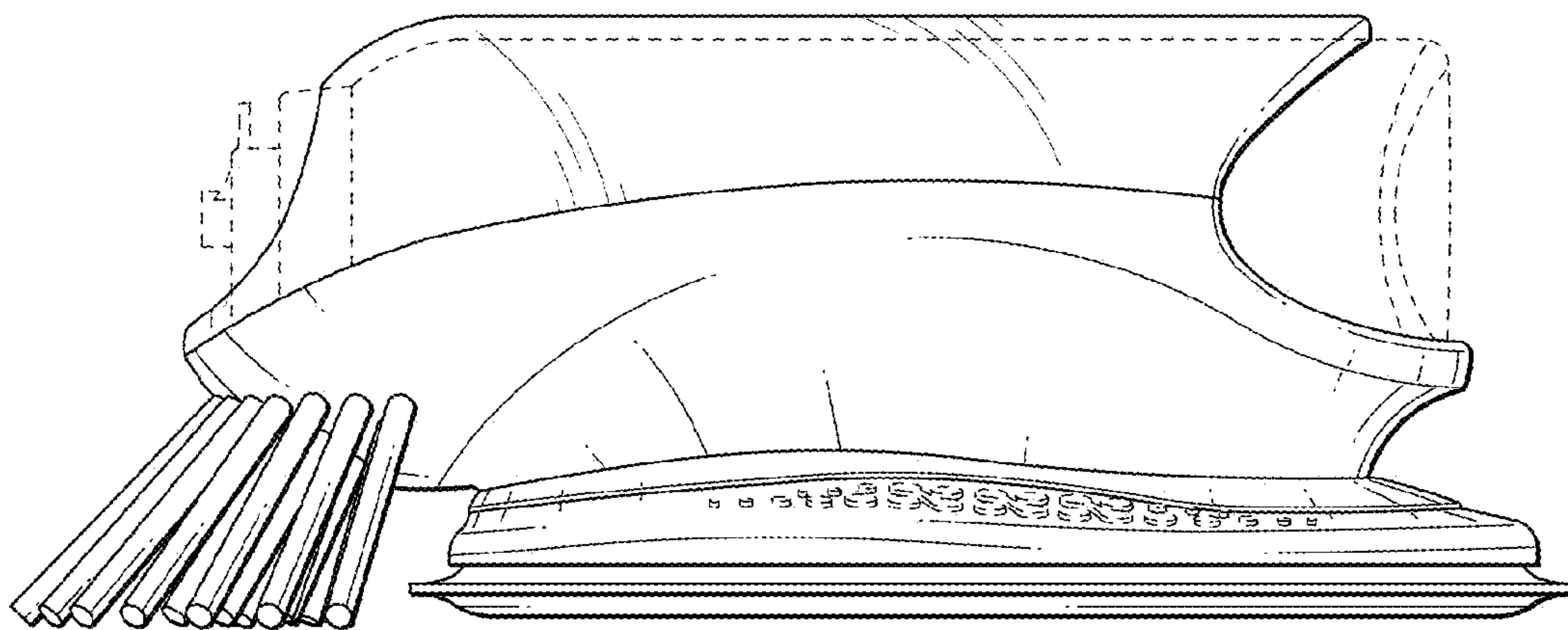


FIG. 9

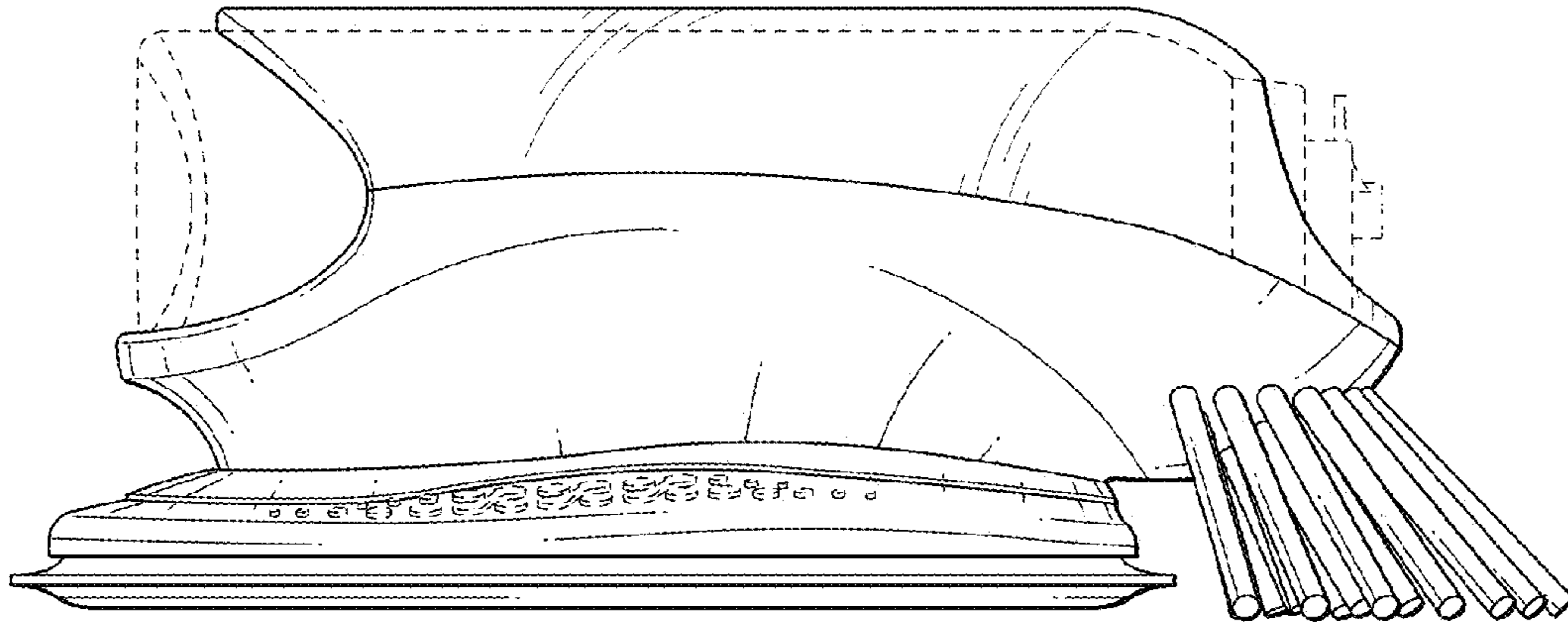


FIG. 10

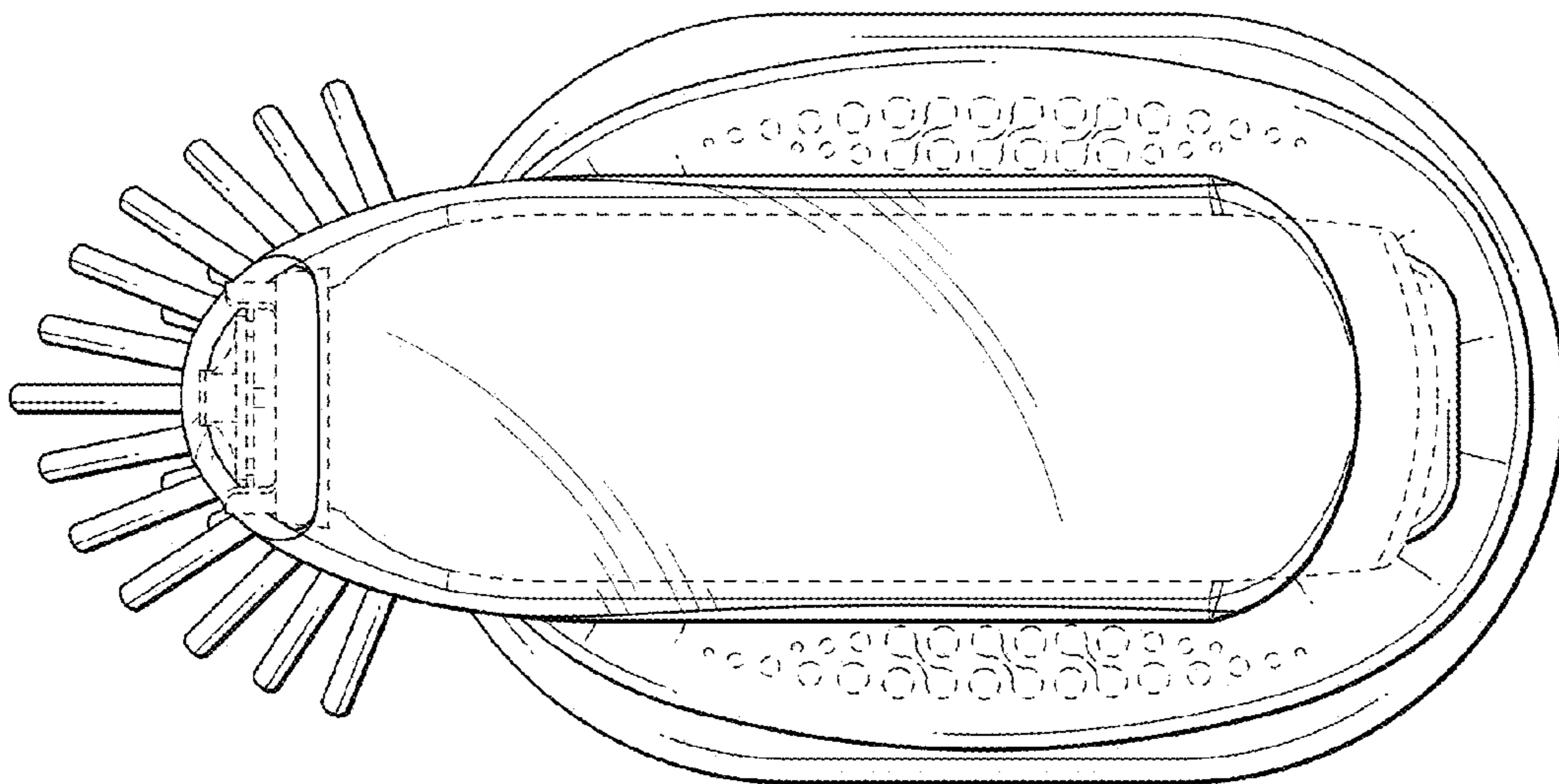


FIG. 11

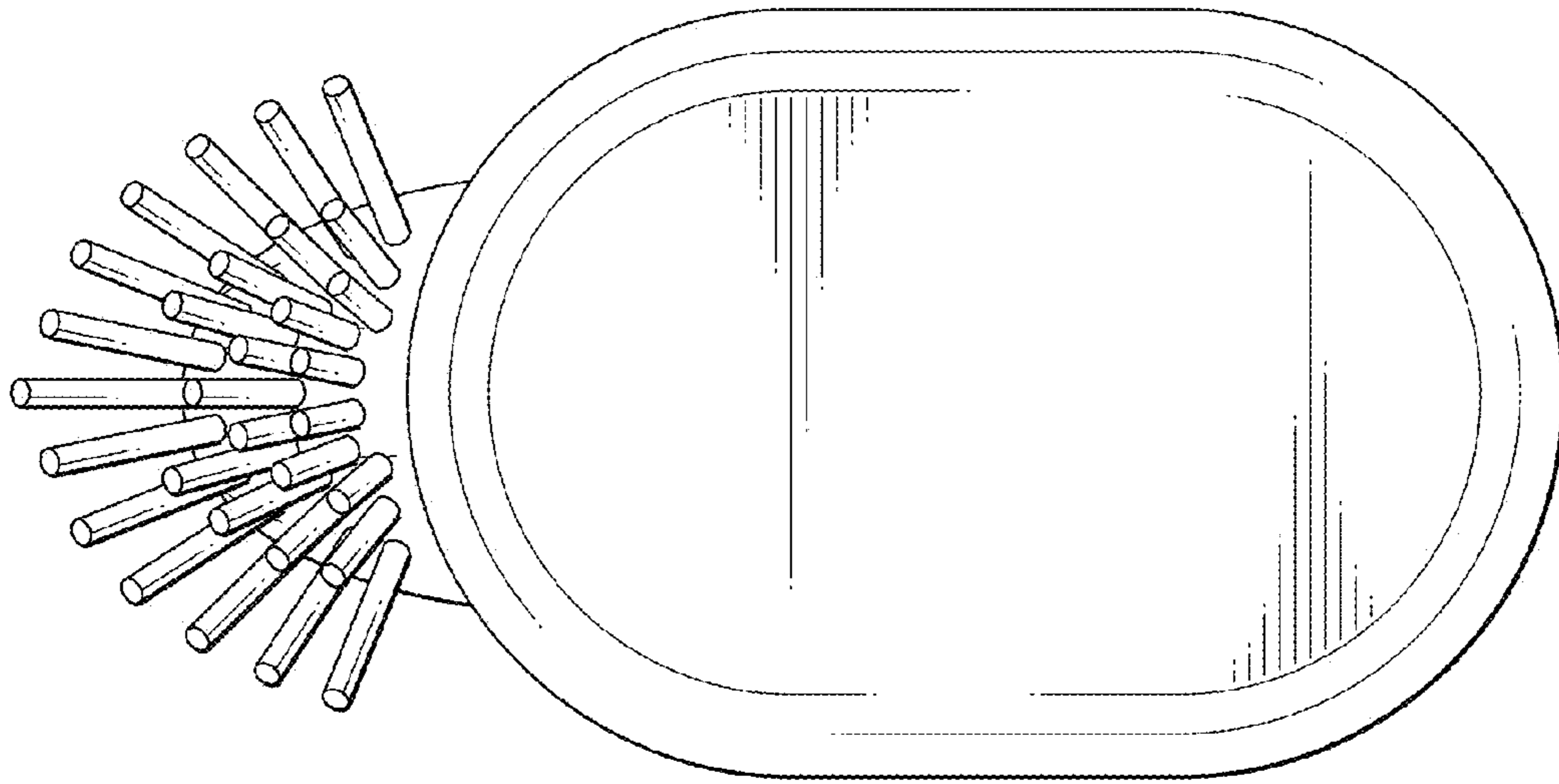


FIG. 12

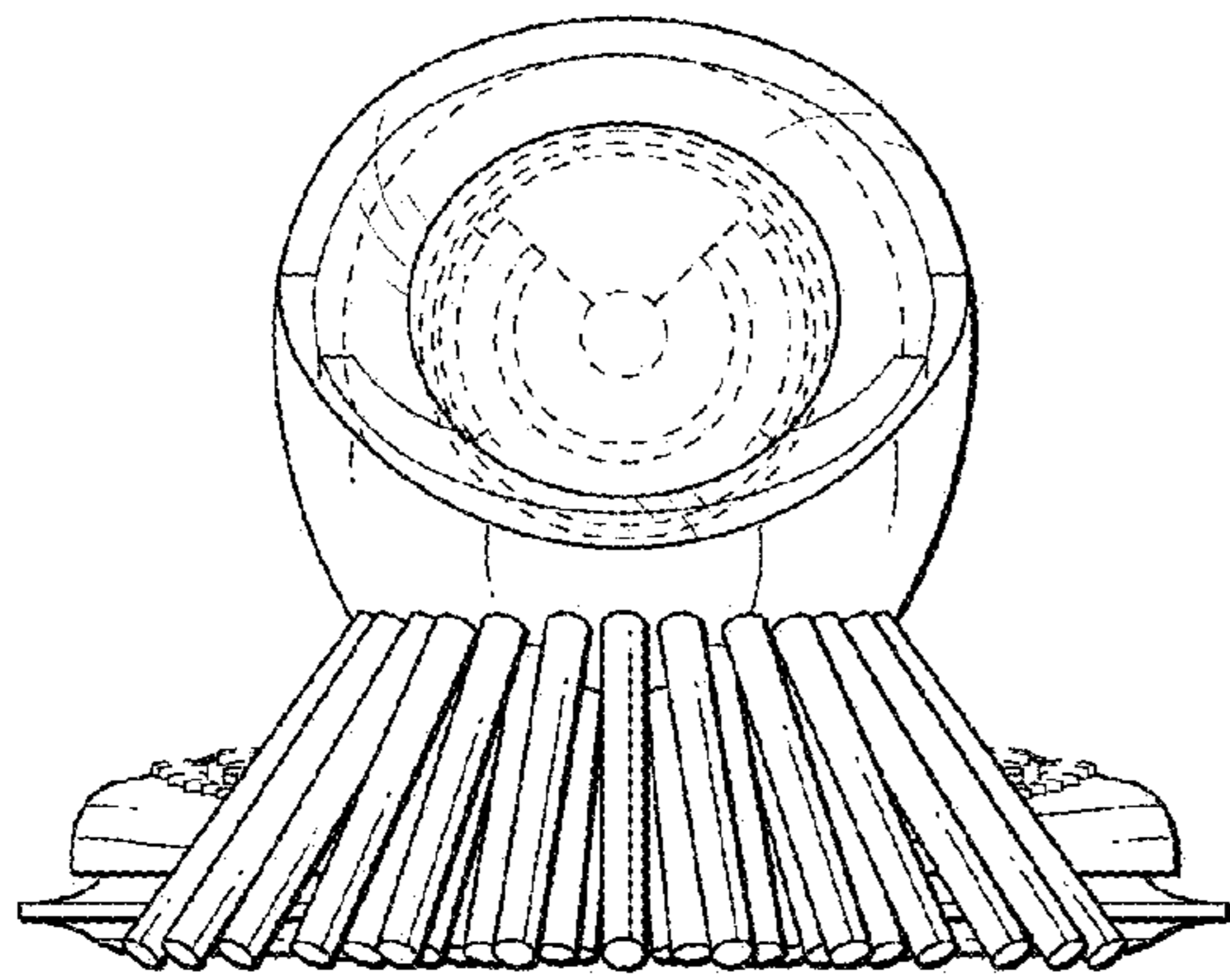


FIG. 13

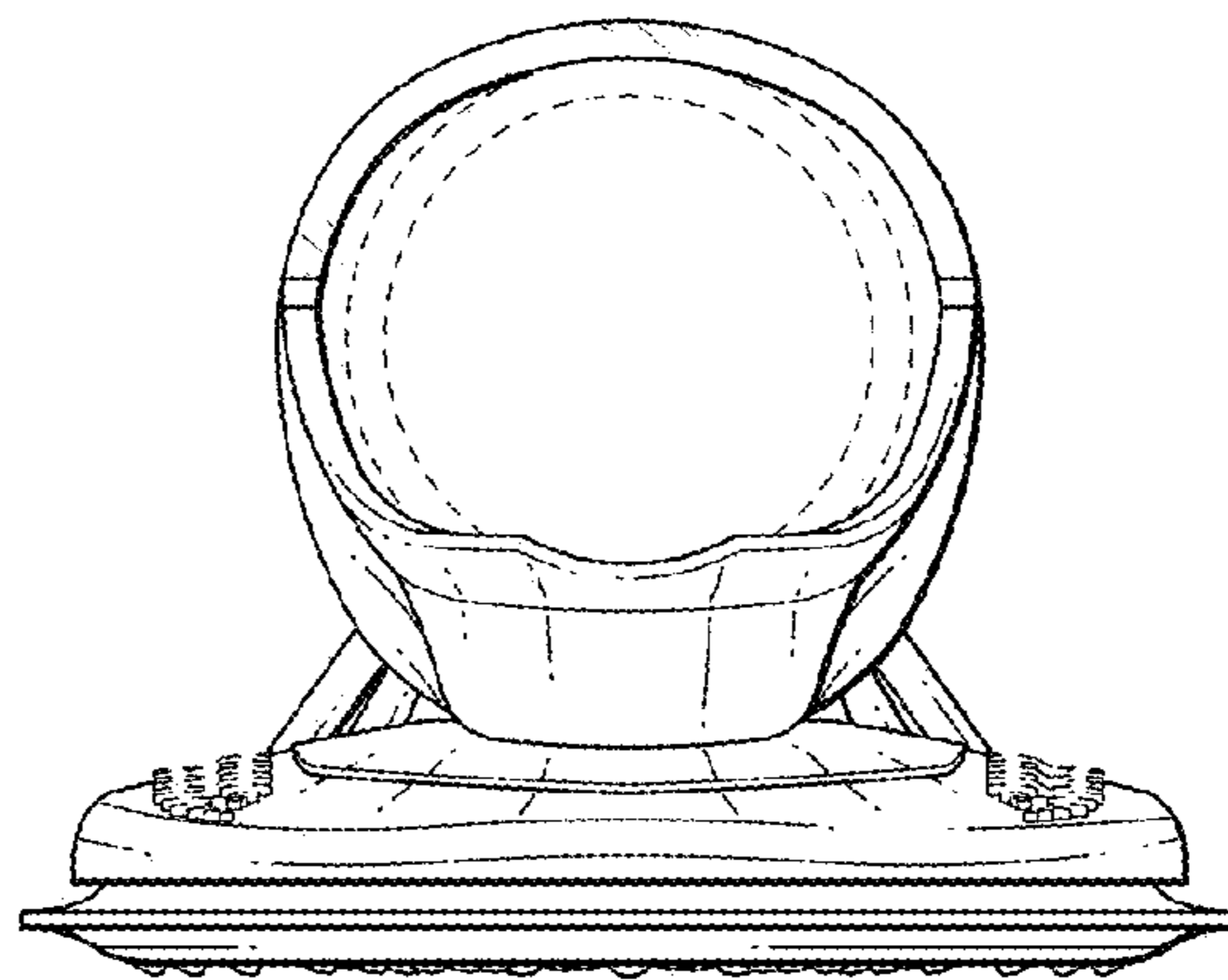


FIG. 14