



US00D727029S

(12) **United States Design Patent**
Kliot et al.

(10) **Patent No.:** **US D727,029 S**

(45) **Date of Patent:** **** Apr. 21, 2015**

(54) **HANDLE FOR CARRYING CASE**

(71) Applicants: **Eugene Kliot**, Briarcliff Manor, NY
(US); **Dennis Holby**, New Alexandria,
PA (US)

(72) Inventors: **Eugene Kliot**, Briarcliff Manor, NY
(US); **Dennis Holby**, New Alexandria,
PA (US)

(73) Assignee: **Visual Impact Plms Corp**, Hartsdale,
NY (US)

(**) Term: **14 Years**

(21) Appl. No.: **29/478,108**

(22) Filed: **Dec. 31, 2013**

(51) **LOC (10) Cl.** **03-01**

(52) **U.S. Cl.**
USPC **D3/318**

(58) **Field of Classification Search**
CPC B65D 85/00; B65D 21/04; B65D 21/02
USPC D3/289, 294, 318; 206/576, 37, 235,
206/320, 701

See application file for complete search history.

(56) **References Cited**

U.S. PATENT DOCUMENTS

D394,157 S * 5/1998 Dickinson et al. D3/318
D676,658 S * 2/2013 Holloway et al. D3/318

* cited by examiner

Primary Examiner — Holly Baynham

(74) *Attorney, Agent, or Firm* — James A. Quinton

(57) **CLAIM**

We claim the ornamental design for a handle for a carrying case, as shown and described.

DESCRIPTION

FIG. 1 is a perspective view of a handle for a carrying case according to the invention.

FIG. 2 is a top elevational view of a handle for a carrying case according to the invention.

FIG. 3 is a left side view of a handle for a carrying case according to the invention, the right side being a mirror image thereof.

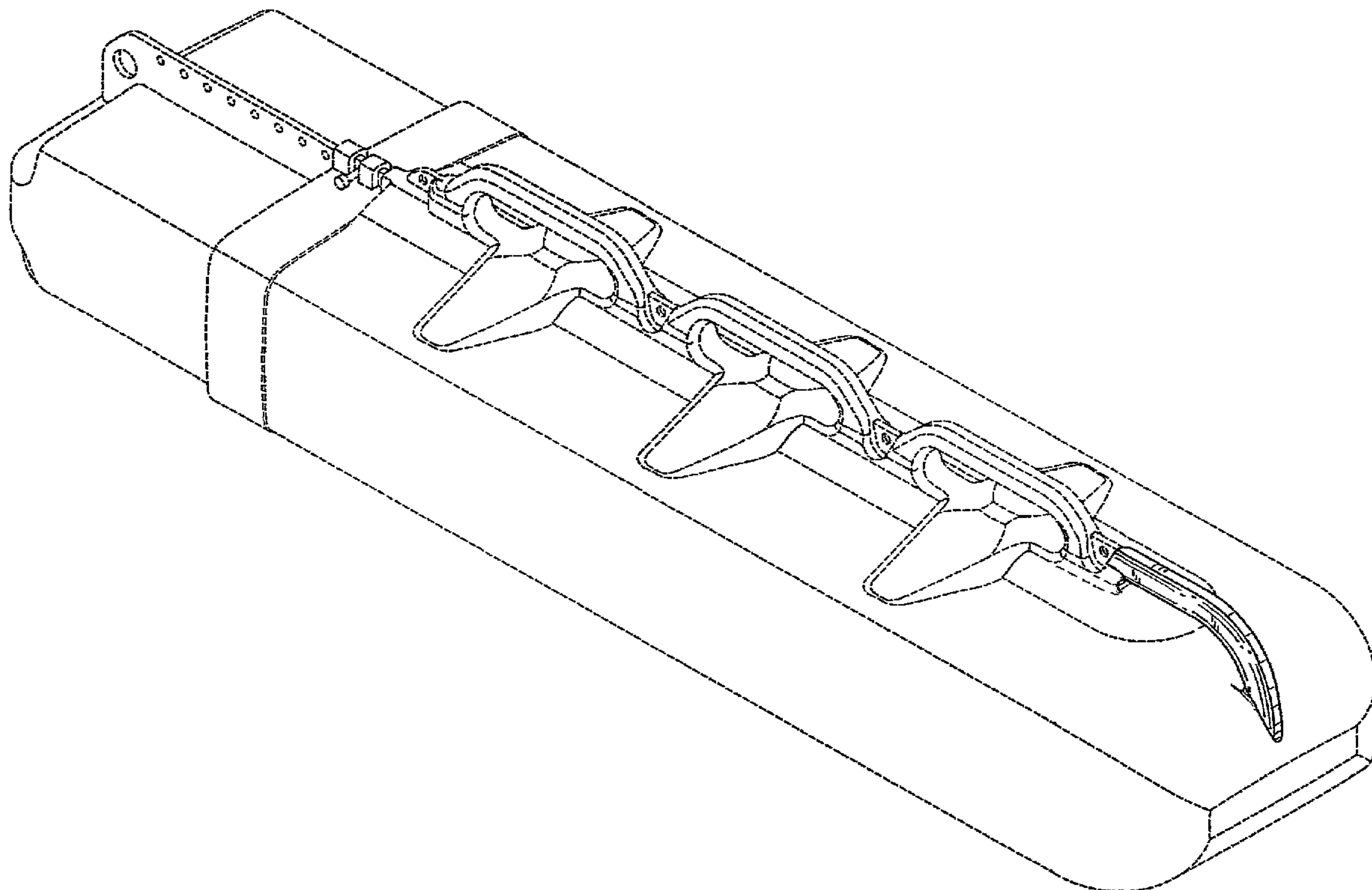
FIG. 4 is a rear view of a handle for a carrying case according to the invention.

FIG. 5 is a front view of a handle for a carrying case according to the invention; and,

FIG. 6 is a bottom elevational view of a handle for a carrying case according to the invention.

The broken lines showing portions of the carrying case are for the purposes of illustrating environment and form no part of the claimed design.

1 Claim, 3 Drawing Sheets



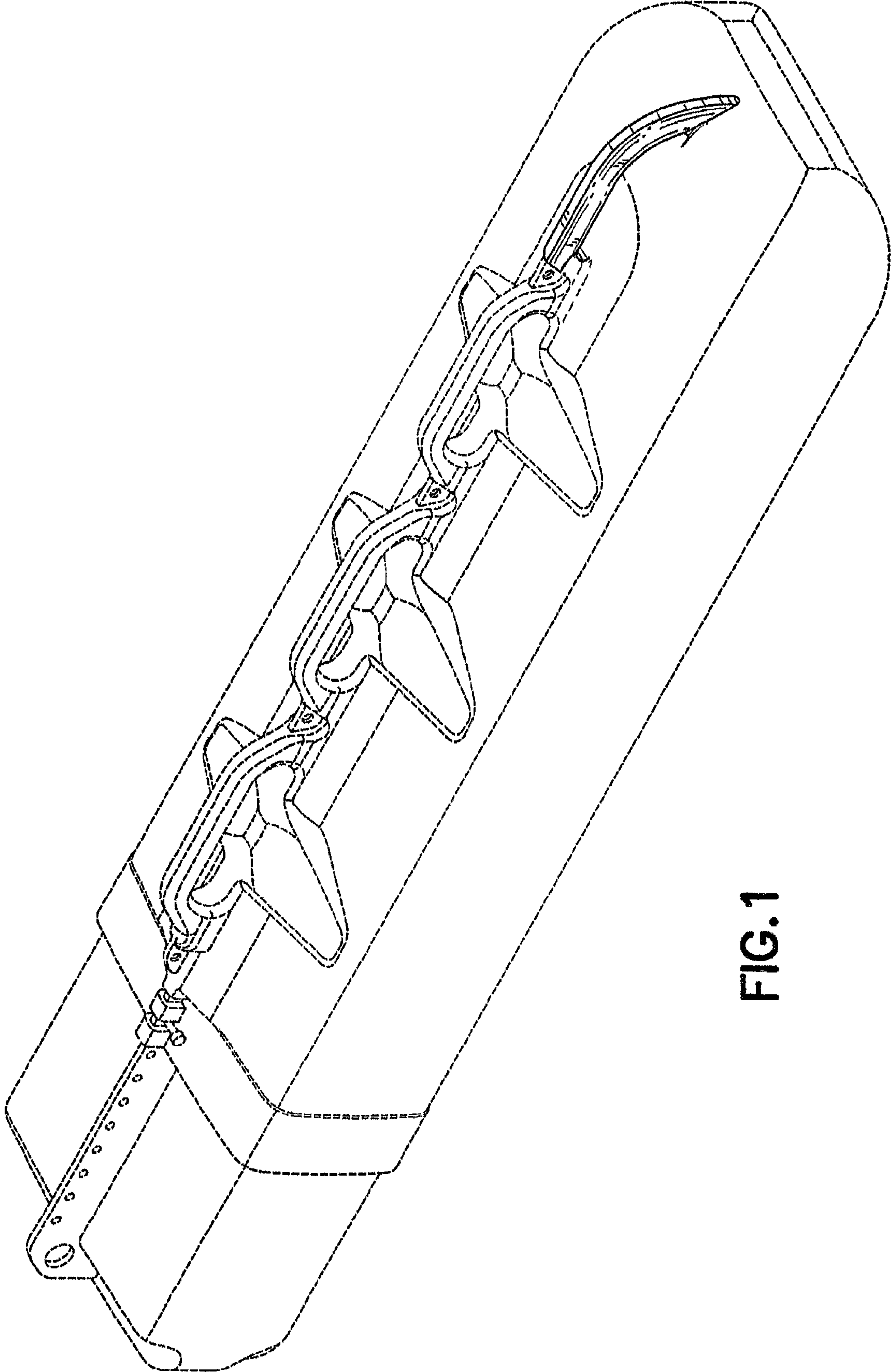


FIG. 1

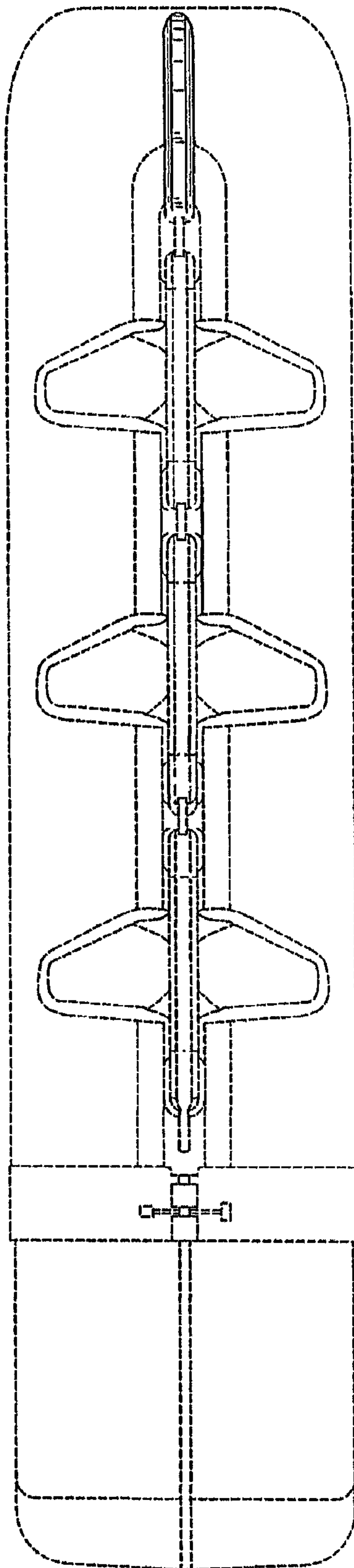


FIG. 2

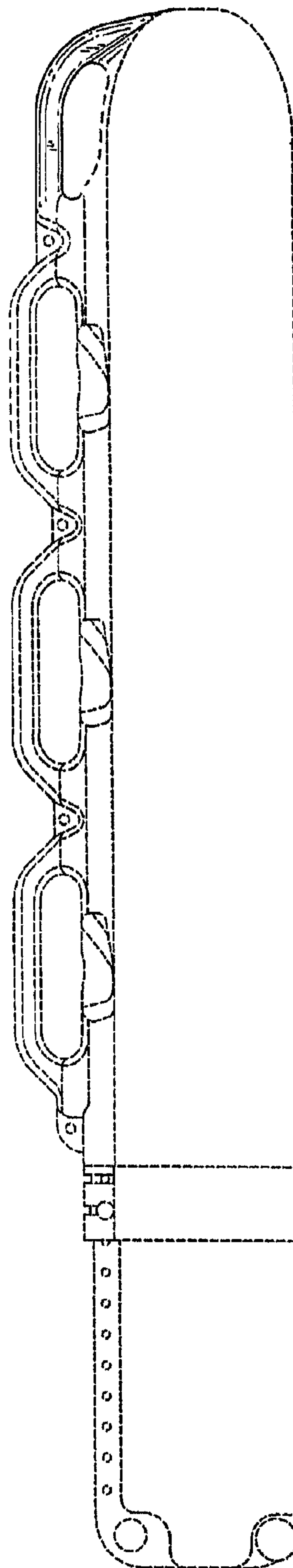


FIG. 3

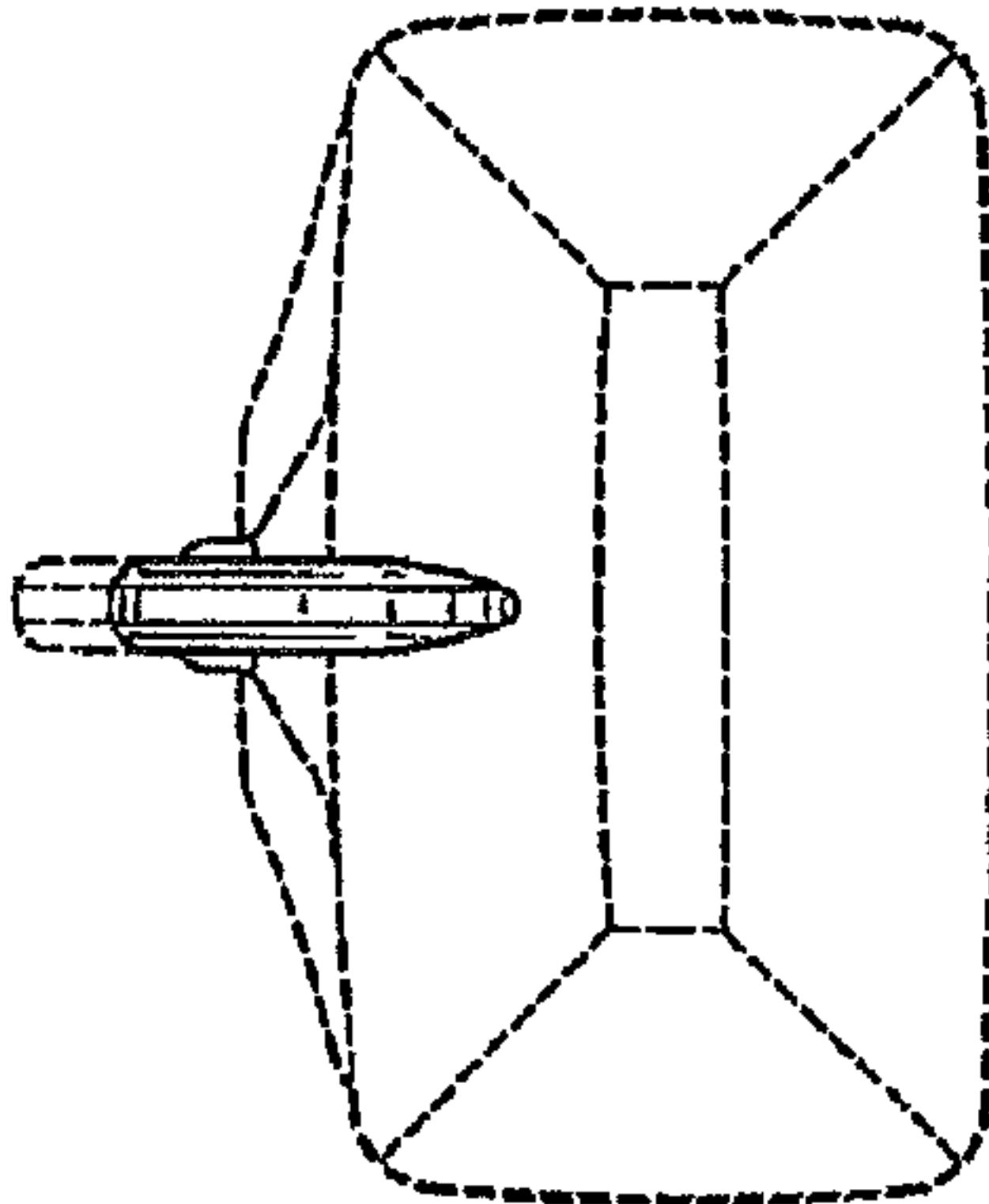


FIG. 5

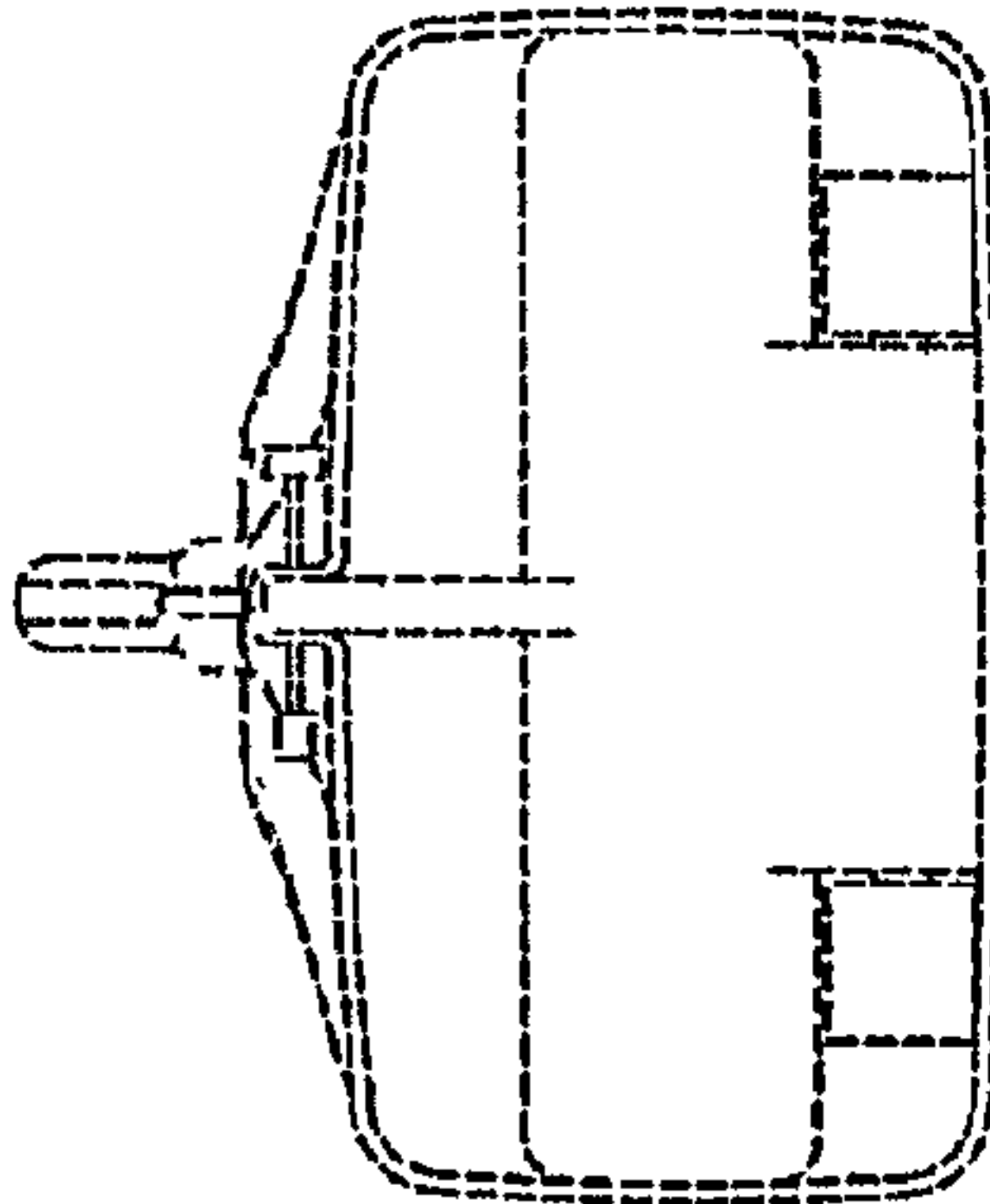


FIG. 4

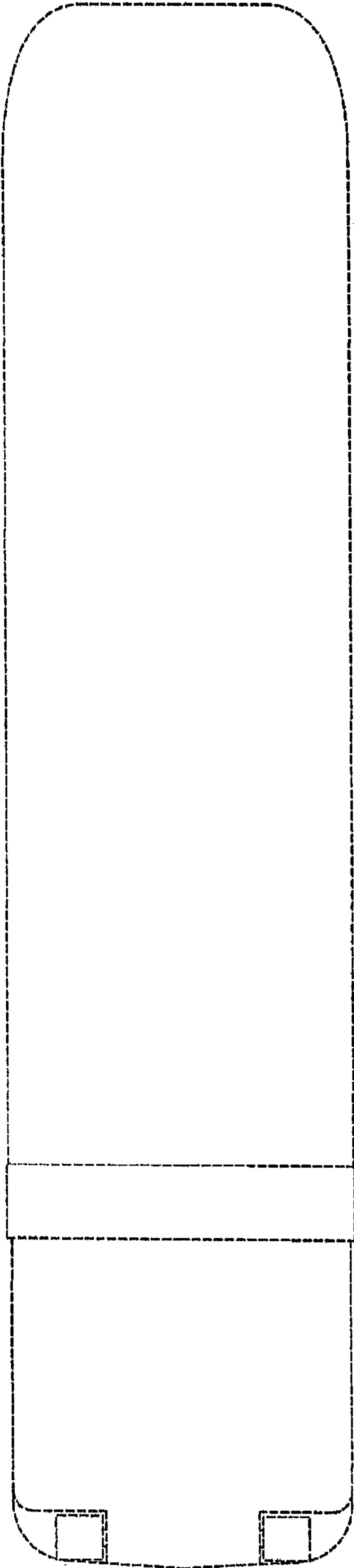


FIG. 6