



US00D727025S

(12) **United States Design Patent**
Dreyer

(10) **Patent No.:** **US D727,025 S**

(45) **Date of Patent:** **** Apr. 21, 2015**

(54) **SHOE CARRIER**

(71) Applicant: **Michael R. Dreyer**, St. Petersburg, FL
(US)

(72) Inventor: **Michael R. Dreyer**, St. Petersburg, FL
(US)

(73) Assignee: **Two Sisters Accessories LLC**, St.
Petersburg, FL (US)

(**) Term: **14 Years**

(21) Appl. No.: **29/467,837**

(22) Filed: **Sep. 24, 2013**

(51) **LOC (10) Cl.** **03-01**

(52) **U.S. Cl.**

USPC **D3/299**; D3/284; D3/290

(58) **Field of Classification Search**

USPC D3/216, 217, 232, 231, 276, 289, 226,
D3/225, 230, 290, 291, 299, 301, 218, 283,
D3/274, 243, 304, 307, 308, 309, 316;
D7/605, 607, 705, 706, 113, 114, 629,
D7/709; 150/100, 103, 104, 105, 106, 107,
150/108, 109, 110, 118, 119; 190/117, 118,
190/119; 62/457.2; 224/600-659;
206/316.1, 316, 2, 3; 383/30, 31, 28,
383/16, 6

See application file for complete search history.

(56) **References Cited**

U.S. PATENT DOCUMENTS

1,672,322	A *	6/1928	Keiser et al.	383/119
3,491,913	A *	1/1970	Giraudet et al.	220/801
4,260,004	A *	4/1981	Domke	206/316.2
4,542,826	A *	9/1985	Adams	206/427
4,974,709	A *	12/1990	Furlow et al.	190/102
D504,230	S *	4/2005	Thomas	D3/290
7,143,932	B2 *	12/2006	Wang	229/117.35
D564,757	S *	3/2008	Mason	D3/290
D572,545	S *	7/2008	Grant et al.	D7/701
D620,249	S *	7/2010	Yu	D3/232
D624,752	S *	10/2010	Fried et al.	D3/285
D641,157	S *	7/2011	Steele	D3/232

D641,549	S *	7/2011	Caldwell	D3/232
D644,891	S *	9/2011	Meyer	D7/607
D670,906	S *	11/2012	Du	D3/243

(Continued)

Primary Examiner — Jennifer Rivard

Assistant Examiner — April Rivas

(74) *Attorney, Agent, or Firm* — Nilay J. Choksi; Smith & Hopen, P.A.

(57) **CLAIM**

The ornamental design for a shoe carrier, as substantially shown and described.

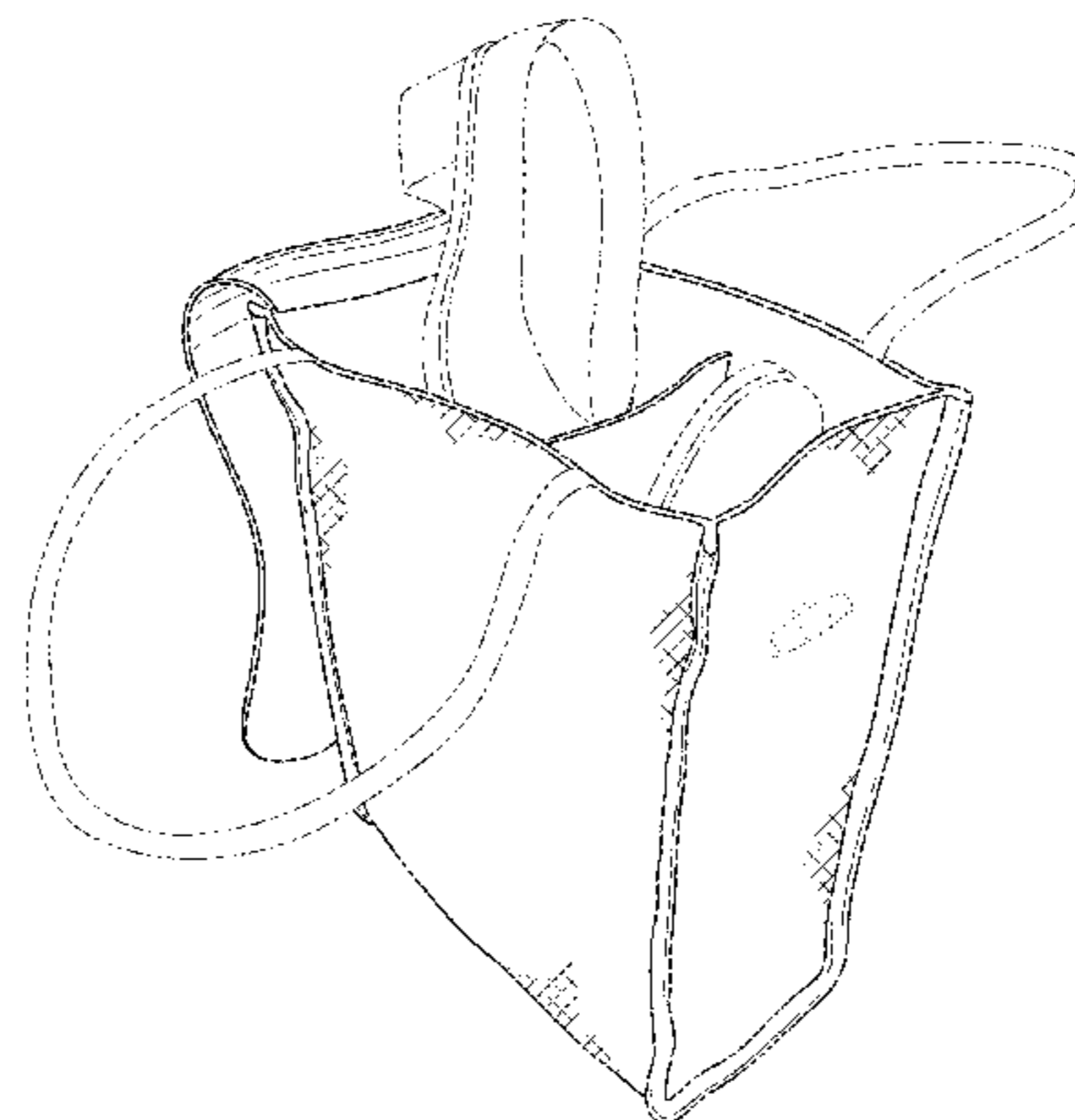
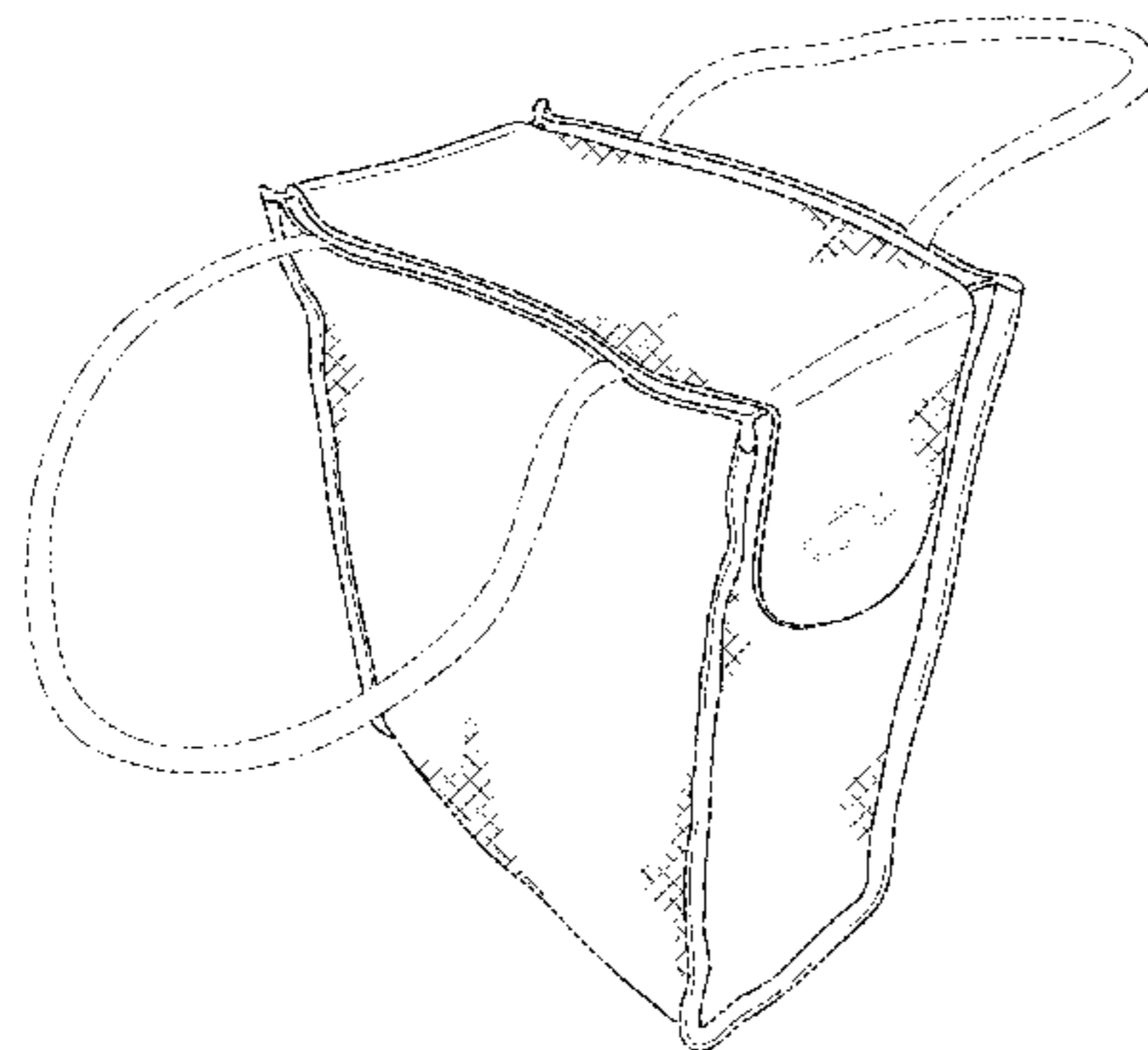
DESCRIPTION

FIG. 1 is a front perspective view of a shoe carrier, showing the novel design, in a closed position;
FIG. 2 is a side elevational view of the shoe carrier shown in FIG. 1 in the closed position;
FIG. 3 is a side elevational view of the shoe carrier shown in FIG. 1 in the closed position;
FIG. 4 is a front elevational view of the shoe carrier shown in FIG. 1 in the closed position;
FIG. 5 is a rear elevational view of the shoe carrier shown in FIG. 1 in the closed position;
FIG. 6 is a top elevational view of the shoe carrier shown in FIG. 1 in the closed position;
FIG. 7 is a bottom elevational view of the shoe carrier shown in FIG. 1 in the closed position;
FIG. 8 is a perspective view of the shoe carrier shown in FIG. 1 in an open position illustrating an intended use of the shoe carrier; and,
FIG. 9 is a perspective view of the shoe carrier shown in FIG. 1 in an open position.

The horizontally-oriented attachment bar and handles in broken line illustrate portions of the shoe carrier and form no part of the claimed design. The broken lines illustrating shoes represent environment and form no part of the claimed design.

The fabric pattern is fragmentarily shown for convenience of illustration. It is understood that the pattern is uniformly continuous over the surface of the shoe carrier.

1 Claim, 7 Drawing Sheets



US D727,025 S

Page 2

(56)

References Cited

2004/0035143 A1* 2/2004 Mogil 62/457.2
2010/0084443 A1* 4/2010 Adelman 224/153

U.S. PATENT DOCUMENTS

2002/0185202 A1* 12/2002 Ho 150/106 * cited by examiner

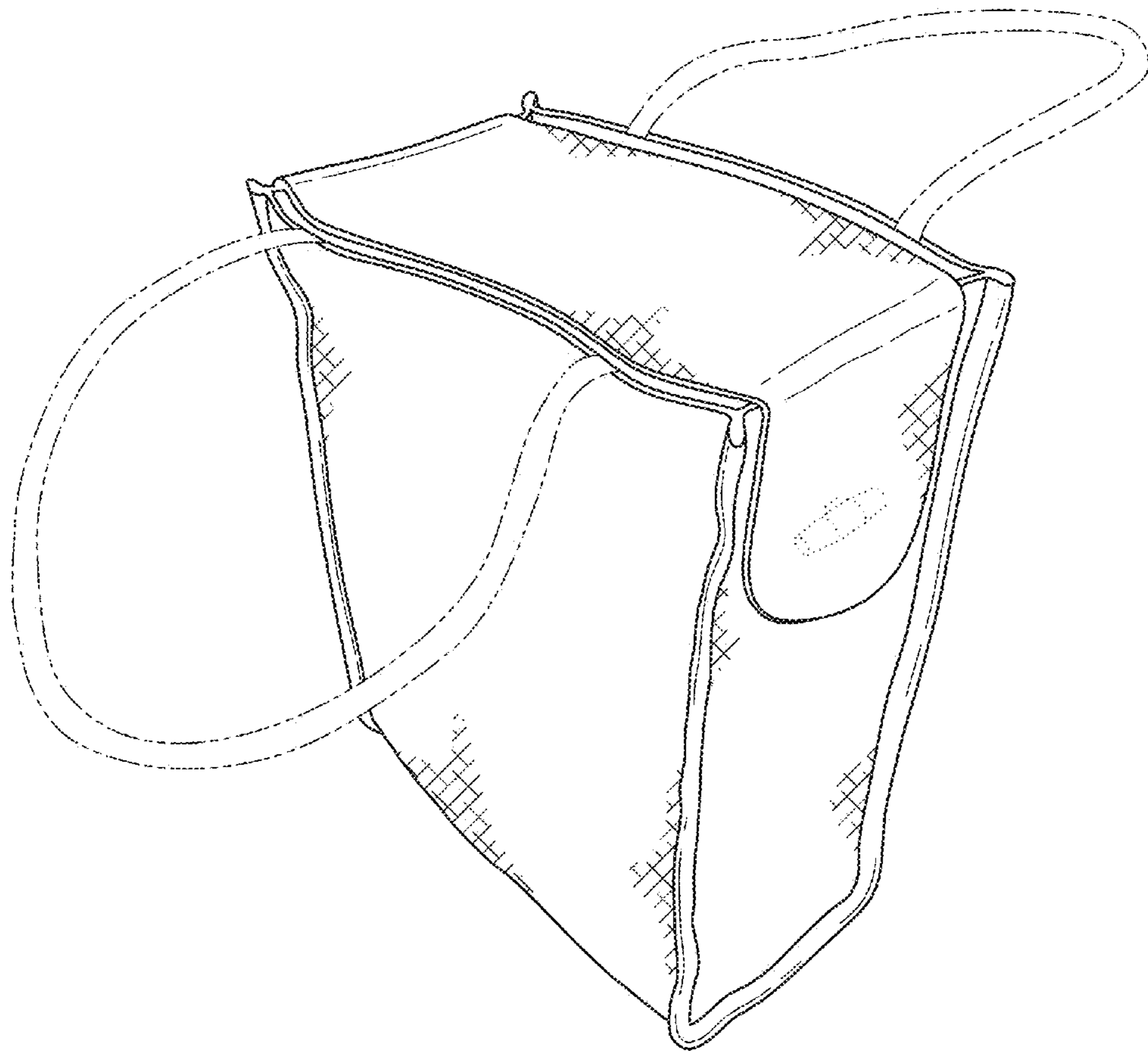


FIG. 1

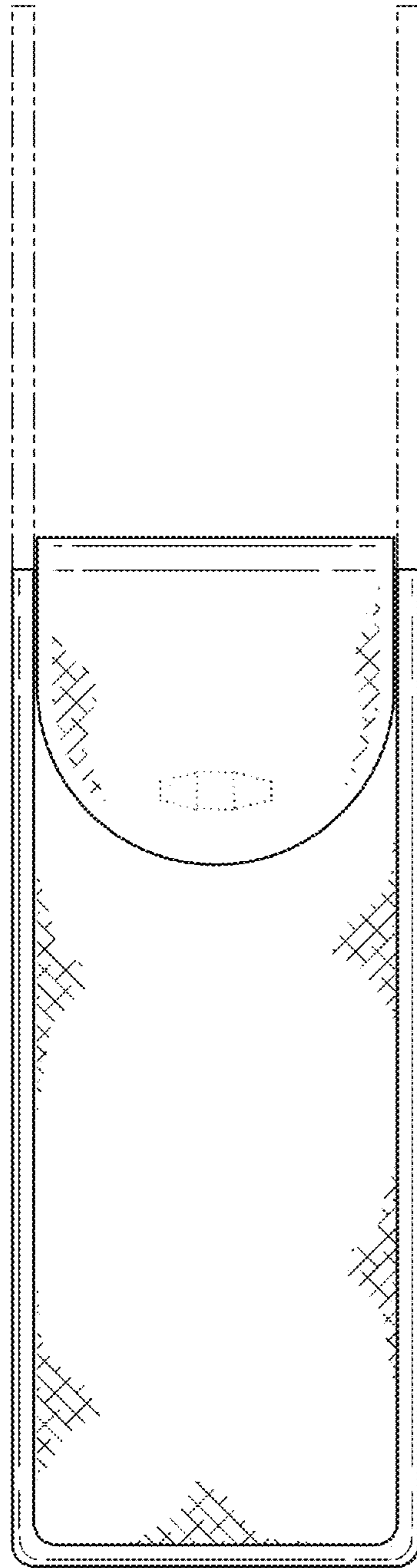


FIG. 2

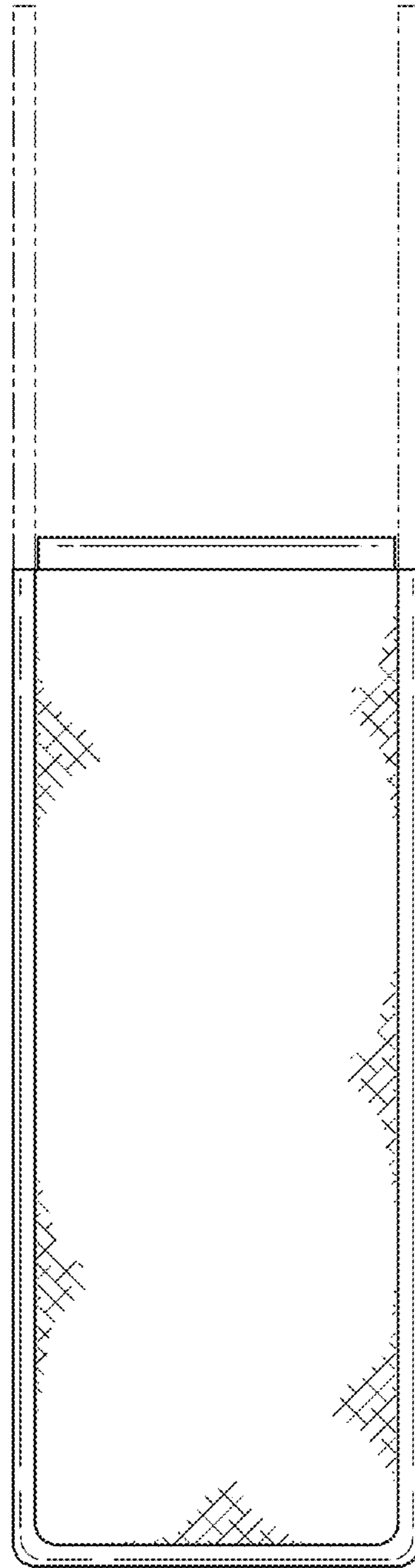


FIG. 3

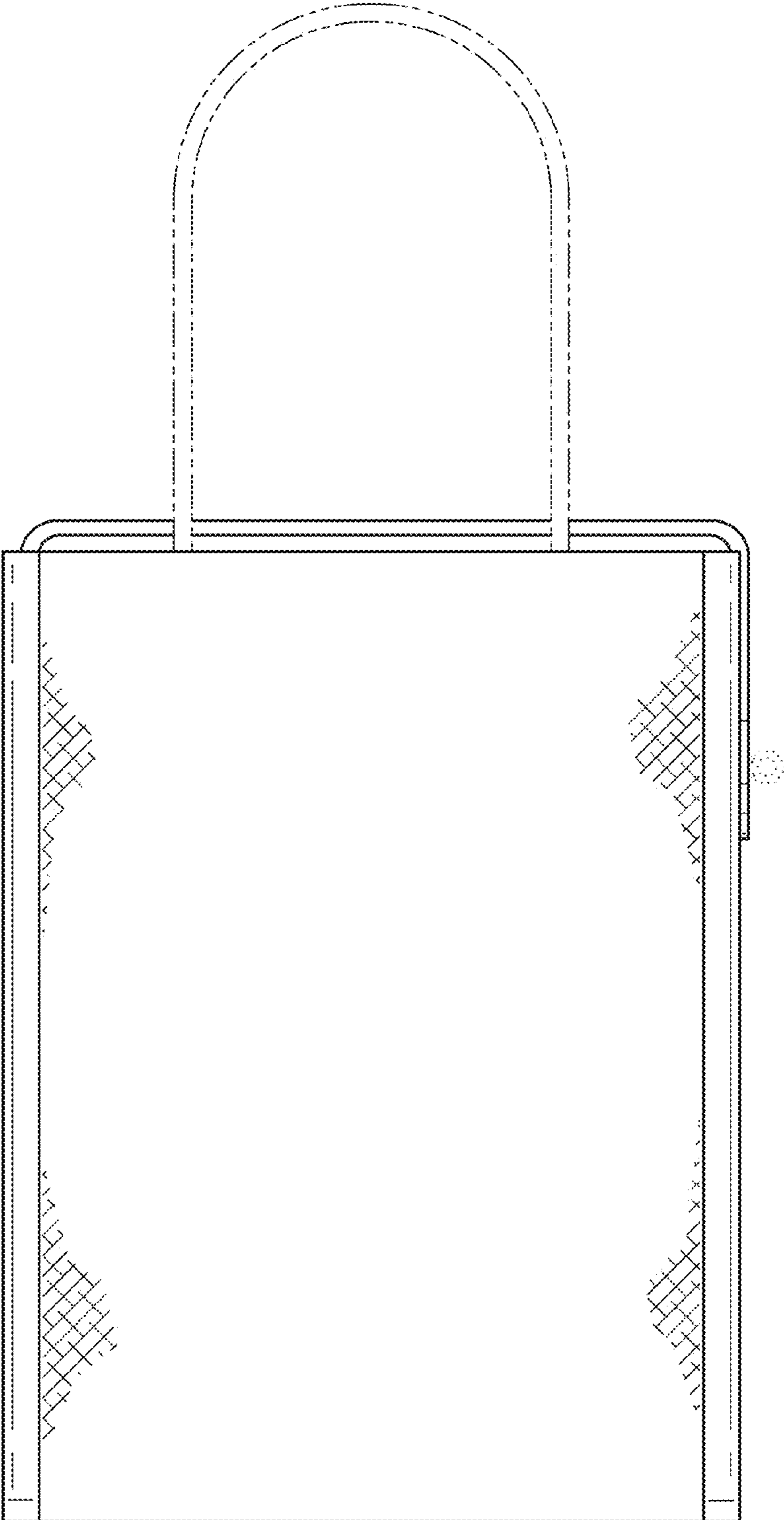


FIG. 4

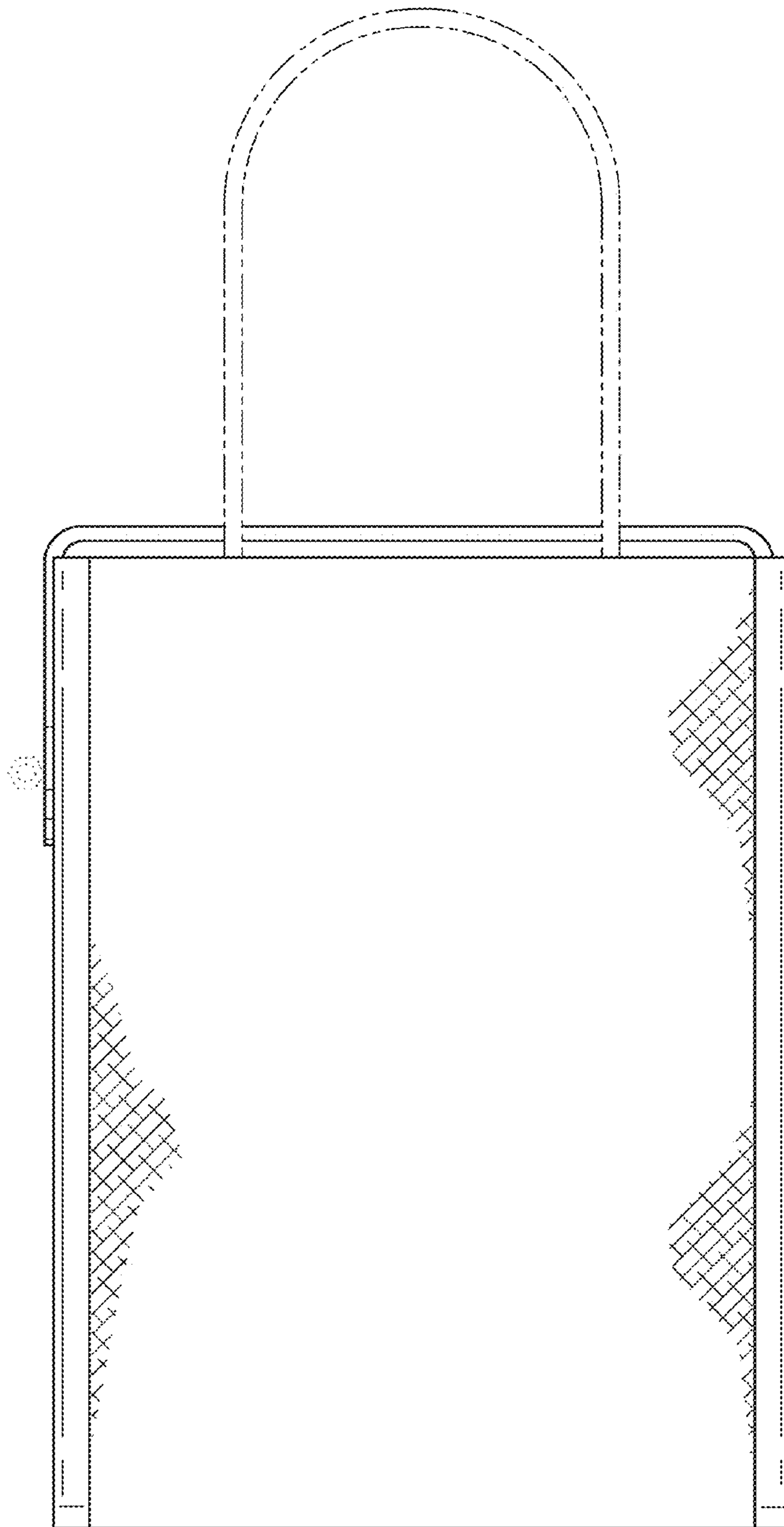


FIG. 5

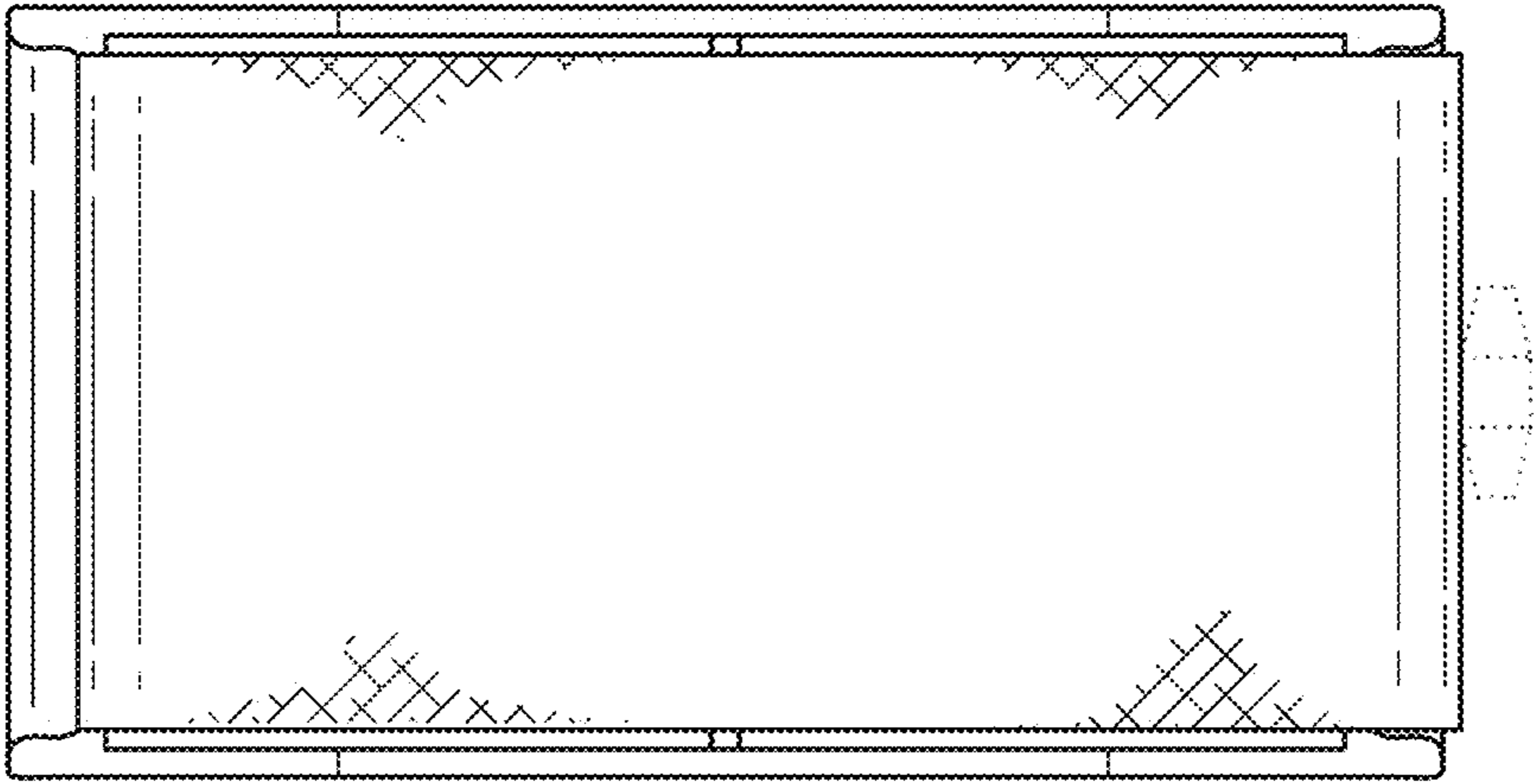


FIG. 6

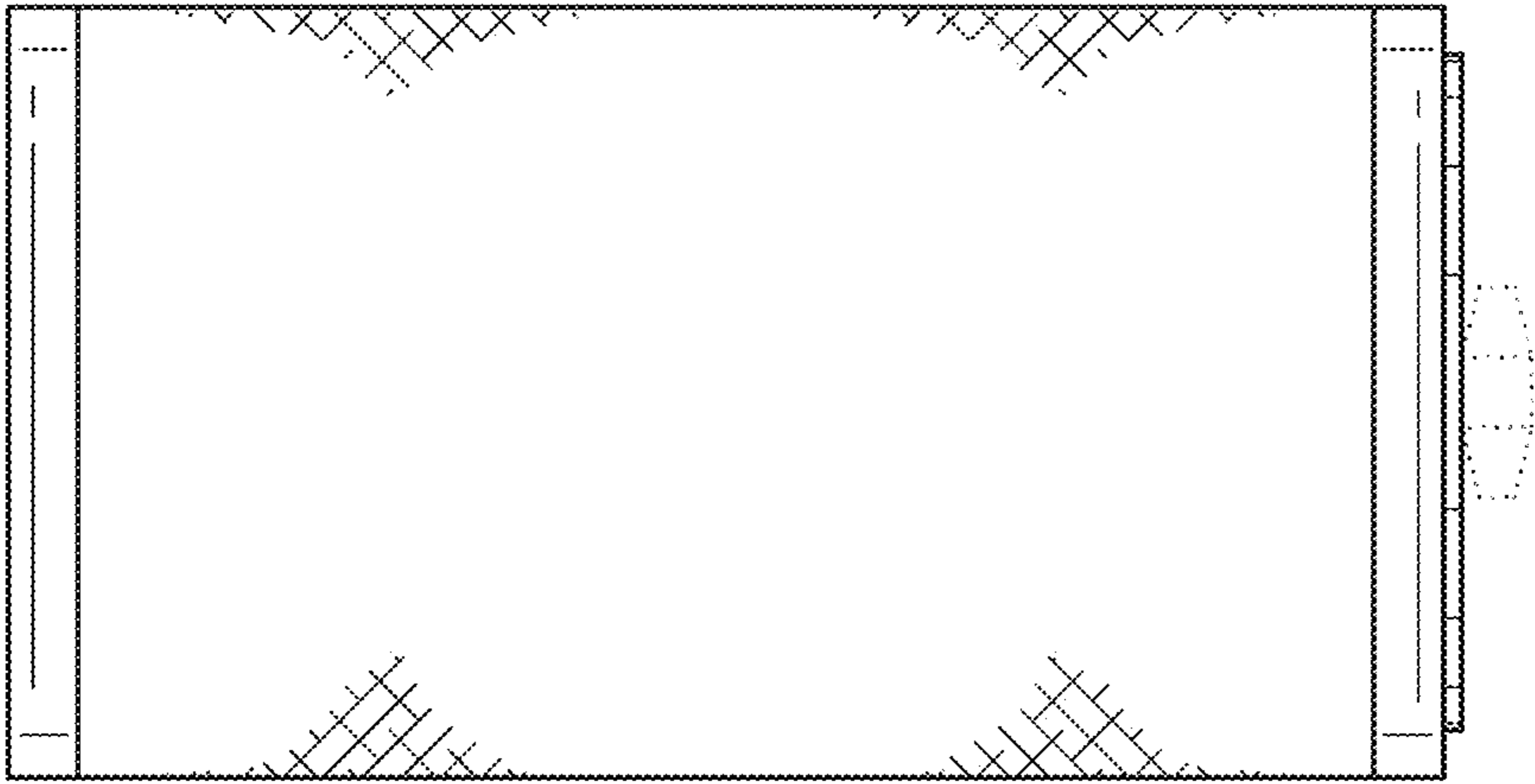


FIG. 7

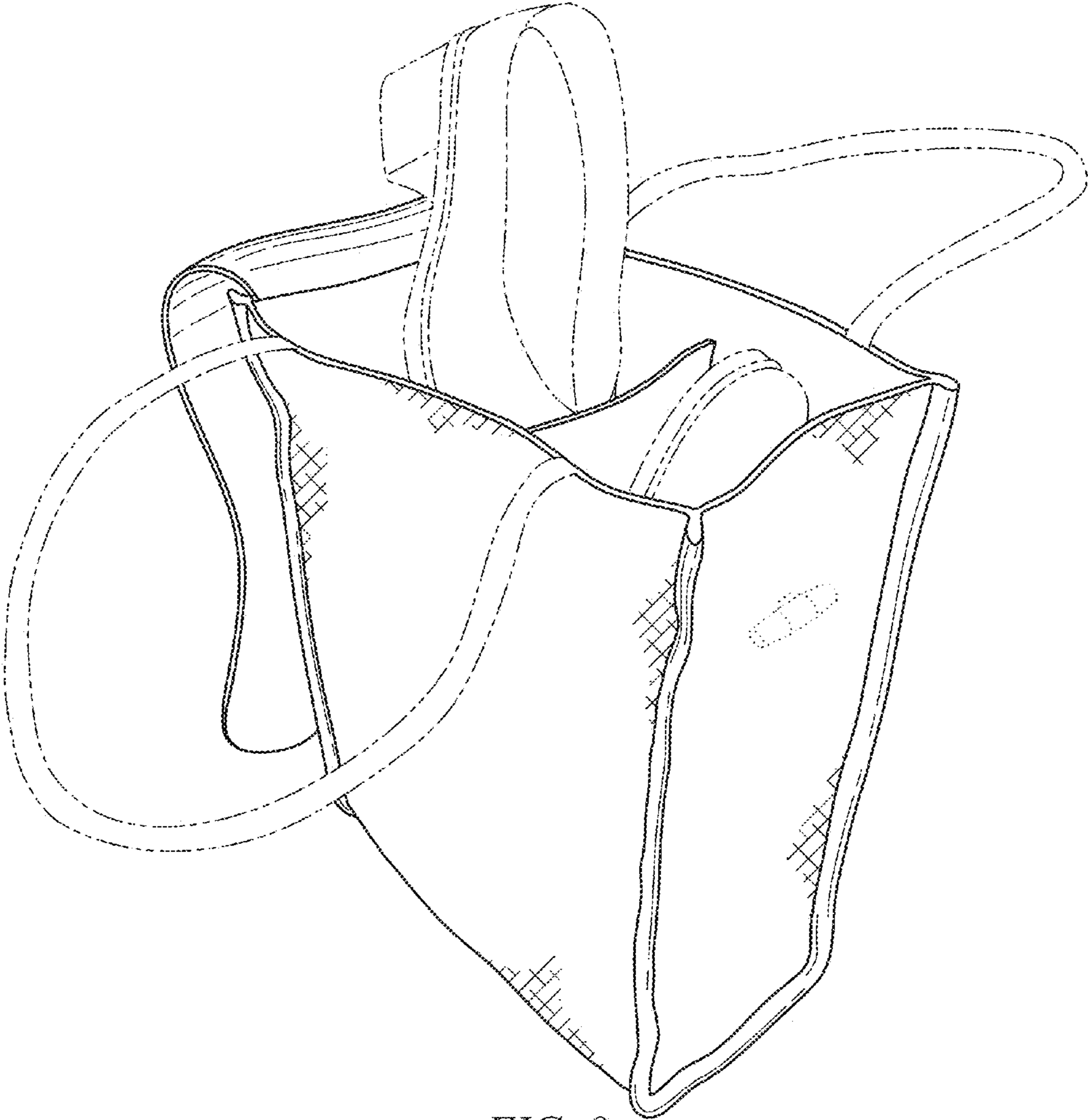


FIG. 8

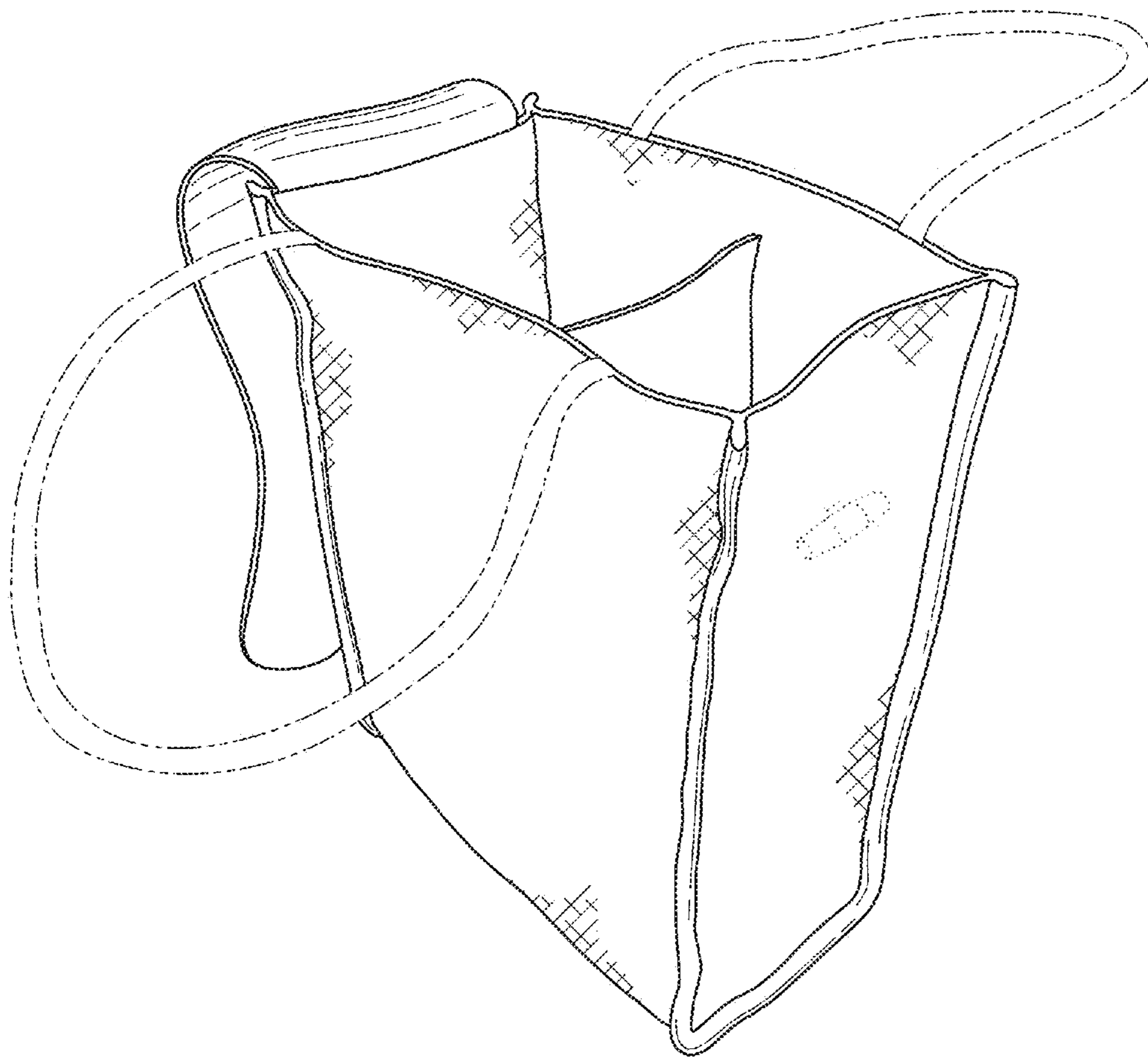


FIG. 9