



US00D727024S

(12) **United States Design Patent**
Robinson

(10) **Patent No.:** **US D727,024 S**

(45) **Date of Patent:** **** Apr. 21, 2015**

(54) **TOOL CASE**

(71) Applicant: **Glenn Robinson**, Parkland, FL (US)

(72) Inventor: **Glenn Robinson**, Parkland, FL (US)

(73) Assignee: **IBT Holdings, LLC**, Deerfield Beach, FL (US)

(**) Term: **14 Years**

(21) Appl. No.: **29/463,501**

(22) Filed: **Dec. 16, 2013**

(51) **LOC (10) Cl.** **03-01**

(52) **U.S. Cl.**

USPC **D3/282**; D3/284; D3/294; D3/905

(58) **Field of Classification Search**

USPC D3/280–288, 291–297, 900–905, 272, D3/273, 276, 302; D9/415, 276, 282, 424, D9/426; 206/349, 372, 373, 377, 378, 379, 206/508, 374, 375, 376; 220/523–528, 220/23.4, 324, 326; 190/110, 111, 112

See application file for complete search history.

(56) **References Cited**

U.S. PATENT DOCUMENTS

D373,901 S *	9/1996	Bergstedt	D3/294
D384,203 S *	9/1997	Jacobson	D3/299
D467,077 S *	12/2002	Nawrozki et al.	D3/282
D473,713 S *	4/2003	Chen	D3/282
D483,180 S *	12/2003	Chen	D3/282
D519,733 S *	5/2006	Chen	D3/293
D528,793 S *	9/2006	Cornwell et al.	D3/294
D543,358 S *	5/2007	Vasudeva et al.	D3/282
7,270,235 B2 *	9/2007	Chen	206/379

D617,098 S *	6/2010	Huang	D3/282
D622,059 S *	8/2010	Deguglimo et al.	D3/274
D636,181 S *	4/2011	Molina et al.	D3/282
D645,663 S *	9/2011	Henley et al.	D3/294
D655,503 S *	3/2012	Deguglimo et al.	D3/293
D690,934 S *	10/2013	Robinson et al.	D3/294
D702,438 S *	4/2014	Chen	D3/294
2004/0035734 A1 *	2/2004	Chin-Hui	206/372
2005/0072701 A1 *	4/2005	Allan et al.	206/373
2007/0095690 A1 *	5/2007	Nguy et al.	206/372
2009/0242440 A1 *	10/2009	Chang	206/349

* cited by examiner

Primary Examiner — Jennifer Rivard

Assistant Examiner — April Rivas

(74) *Attorney, Agent, or Firm* — Dan DeLaRosa

(57) **CLAIM**

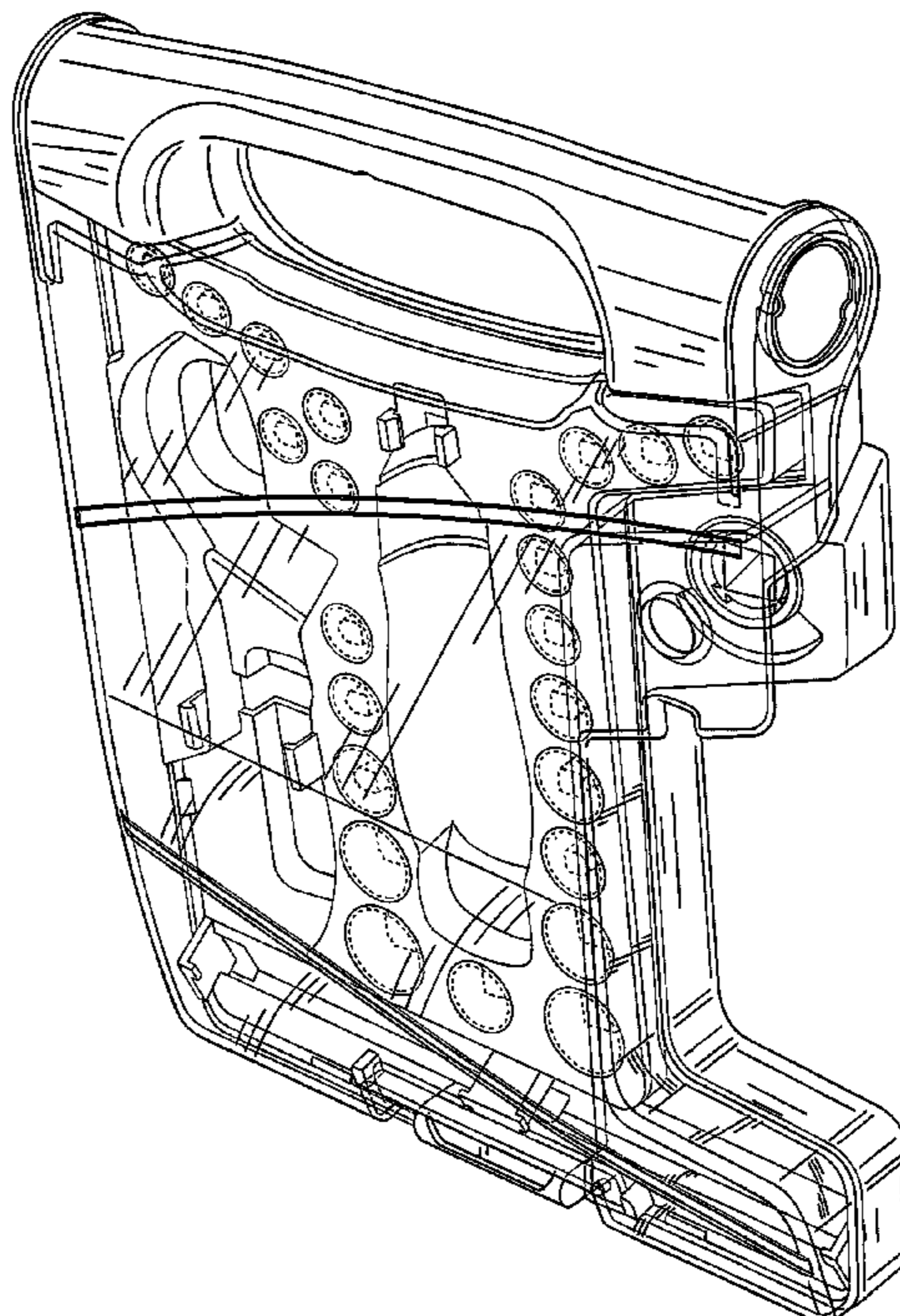
The ornamental design for a tool case, as shown and described.

DESCRIPTION

FIG. 1 is a front perspective view of the tool case of the present invention showing my new design; FIG. 2 is a front side elevational view thereof; FIG. 3 is a back side elevational view thereof; FIG. 4 is a side elevational view thereof; FIG. 5 is another side elevational view thereof; FIG. 6 is a top plan view thereof; and, FIG. 7 is a bottom plan view thereof.

The broken lines immediately adjacent to the circular features in FIGS. 1 and 2 represent the bounds of the claim. The remaining broken lines illustrate portions of the tool case. None of the broken lines forms any part of the claimed design.

1 Claim, 6 Drawing Sheets



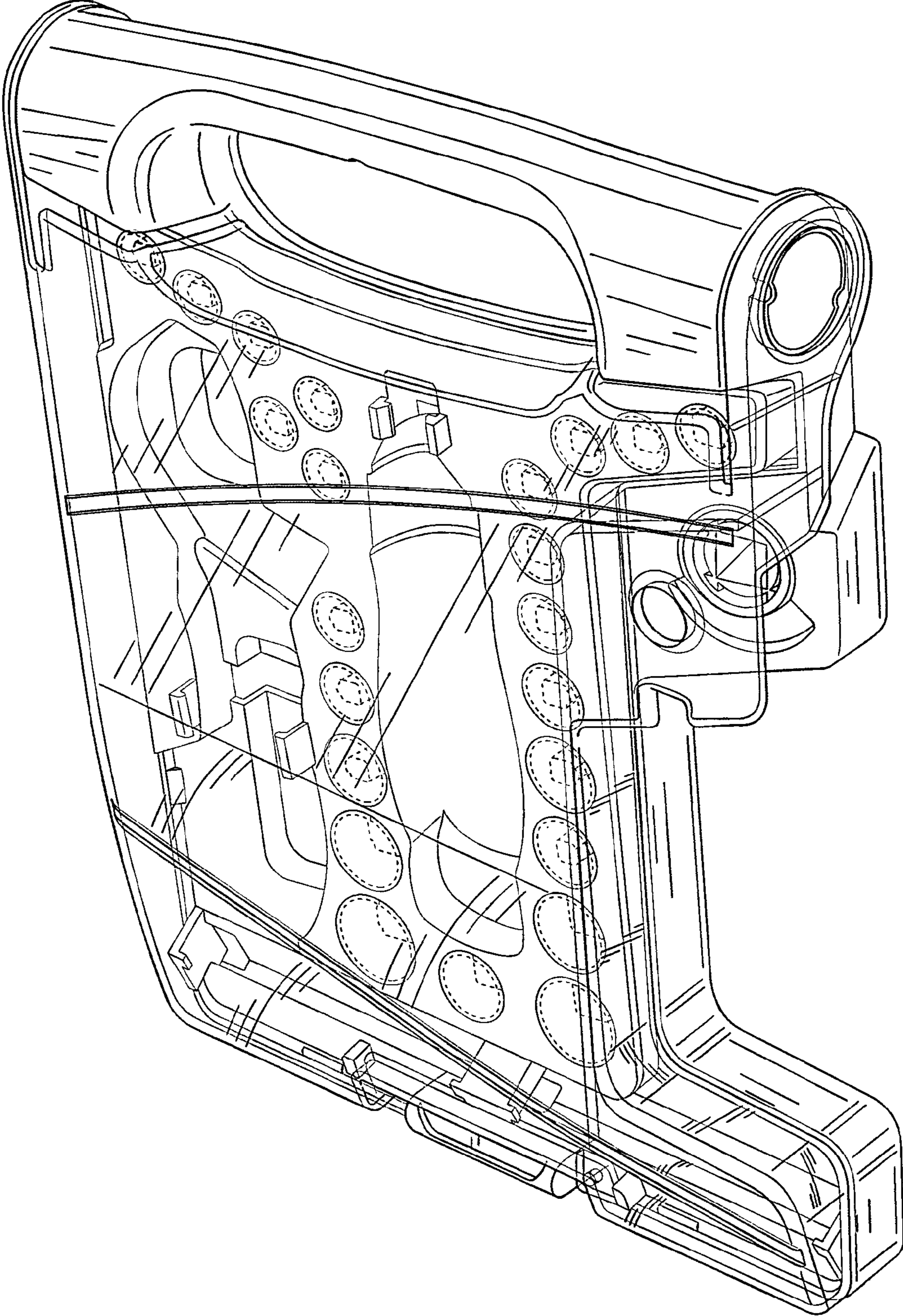


FIG. 1

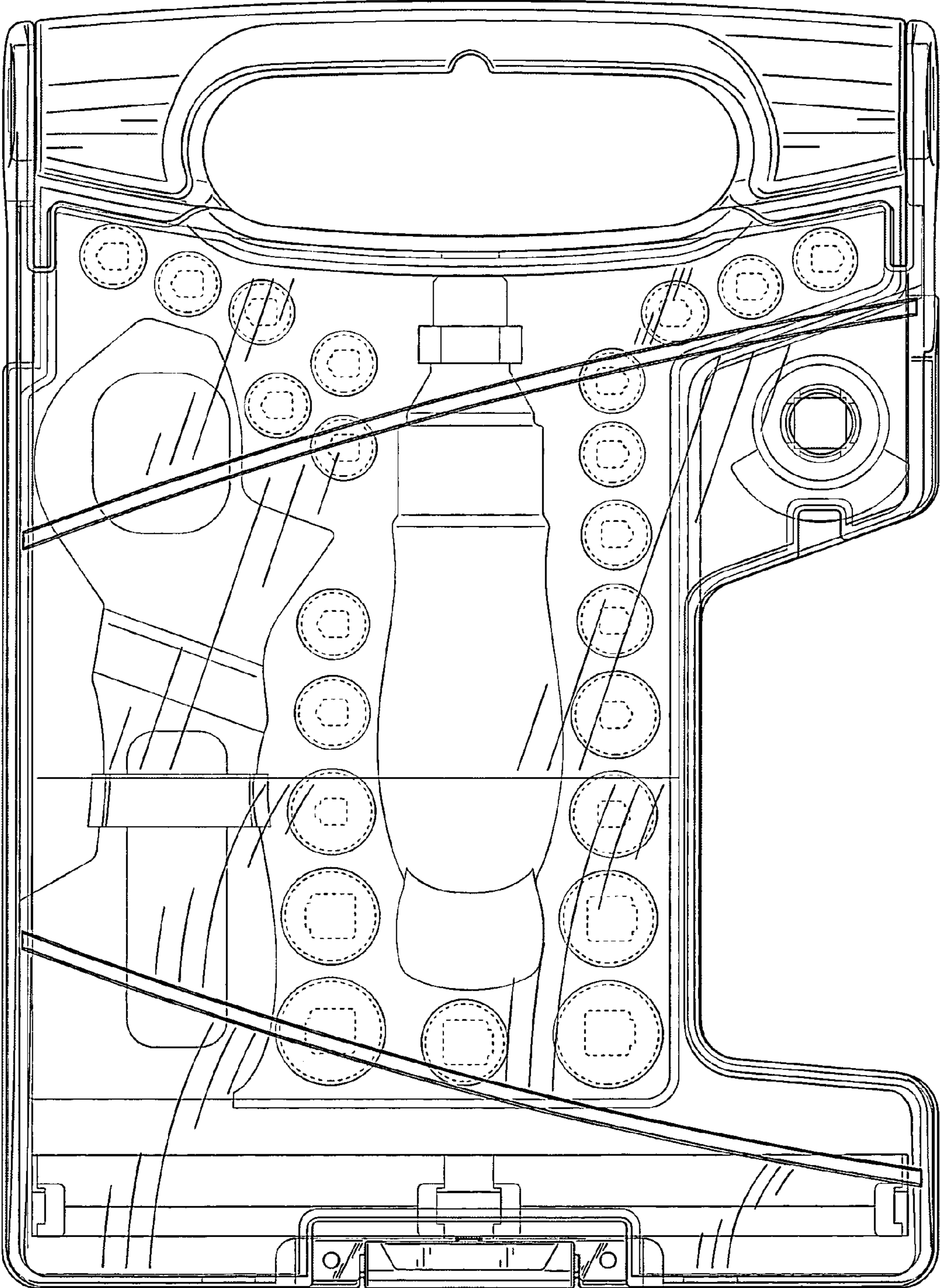


FIG. 2

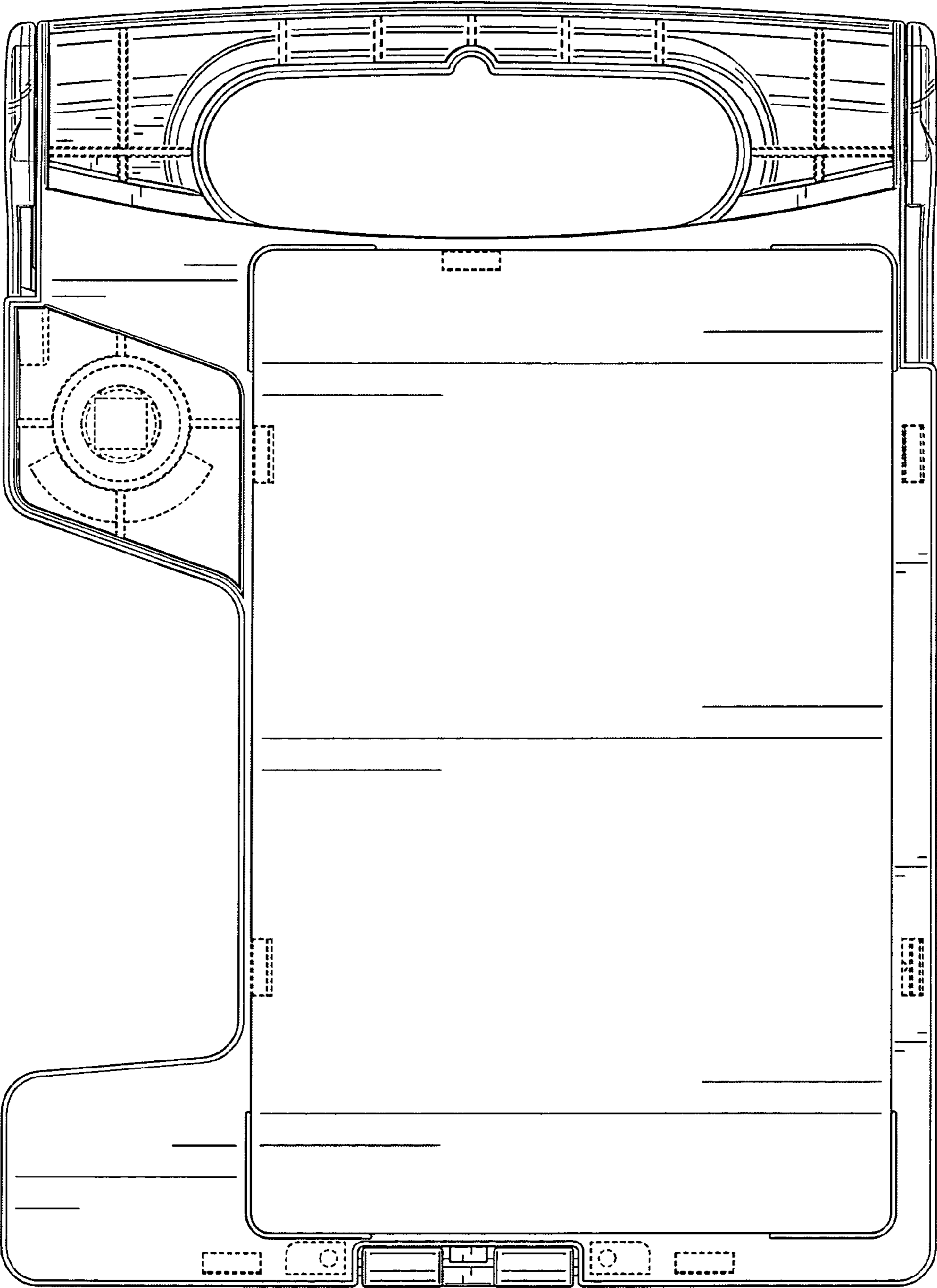


FIG. 3

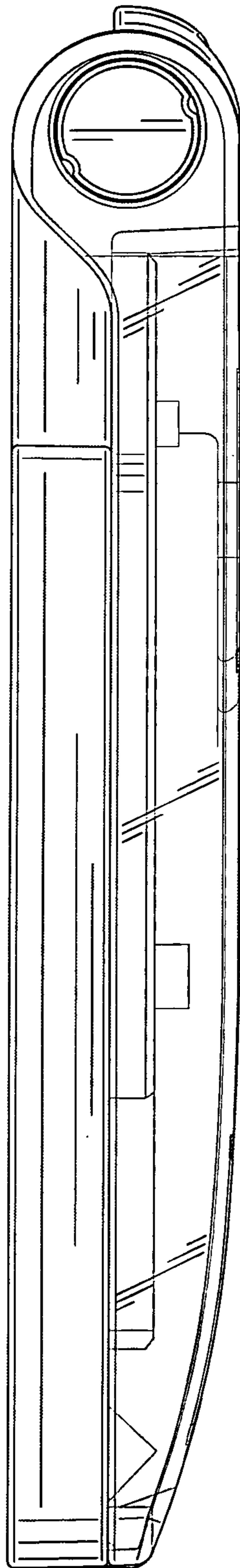


FIG. 4

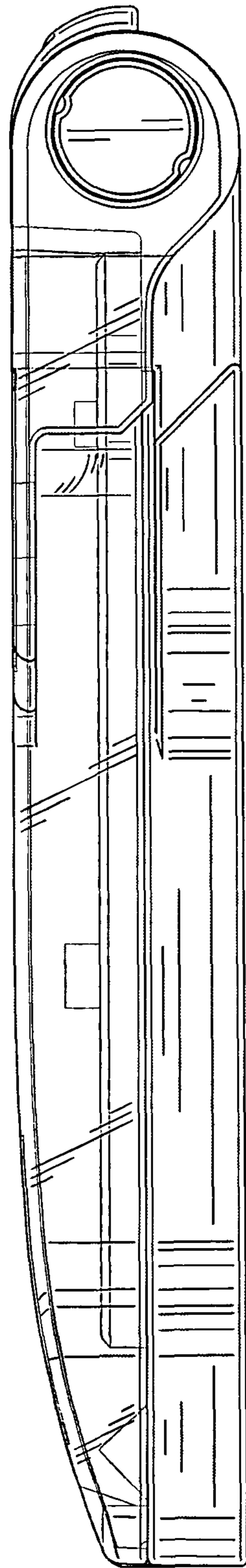


FIG. 5

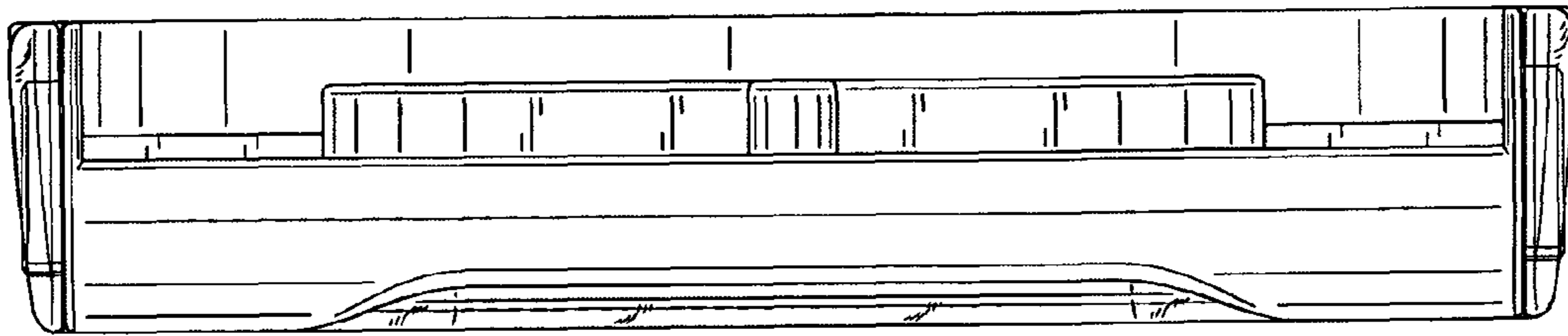


FIG. 6

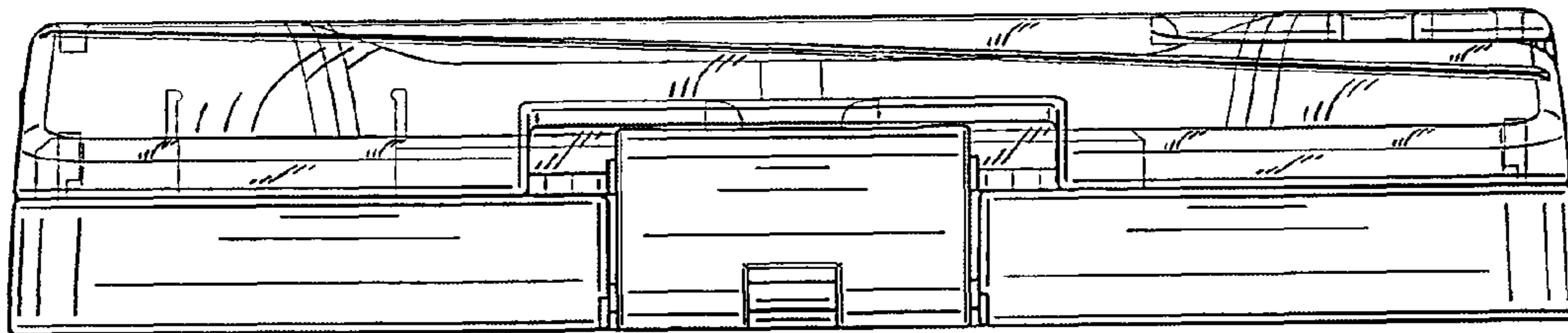


FIG. 7