

US00D727023S

(12) **United States Design Patent**
Robinson et al.

(10) **Patent No.:** **US D727,023 S**
(45) **Date of Patent:** **** Apr. 21, 2015**

- (54) **TOOL CASE WITH TOOLS**
- (71) Applicants: **Glenn Robinson**, Parkland, FL (US);
Alan Ospina, Hallandale Beach, FL (US)
- (72) Inventors: **Glenn Robinson**, Parkland, FL (US);
Alan Ospina, Hallandale Beach, FL (US)
- (73) Assignee: **IBT Holdings LLC**, Deerfield Beach, FL (US)
- (**) Term: **14 Years**
- (21) Appl. No.: **29/463,503**
- (22) Filed: **Dec. 16, 2013**
- (51) **LOC (10) Cl.** **03-01**
- (52) **U.S. Cl.**
USPC **D3/274; D3/282; D3/284; D3/294; D3/905**
- (58) **Field of Classification Search**
USPC D3/280–288, 291–297, 900–905, 272, D3/273, 276, 302; D9/415, 276, 282, 424, D9/426; 206/349, 372, 373, 377, 378, 379, 206/508, 374, 375, 376; 220/523–528, 220/23.4, 324, 326; 190/110, 111, 112
See application file for complete search history.

D528,793 S *	9/2006	Cornwell et al.	D3/294
D543,358 S *	5/2007	Vasudeva et al.	D3/282
7,270,235 B2 *	9/2007	Chen	206/379
D617,098 S *	6/2010	Huang	D3/282
D622,059 S *	8/2010	Deguglimo et al.	D3/274
D636,181 S *	4/2011	Molina et al.	D3/282
D645,663 S *	9/2011	Henley et al.	D3/294
D655,503 S *	3/2012	Deguglimo et al.	D3/293
D690,934 S *	10/2013	Robinson et al.	D3/294
D702,438 S *	4/2014	Chen	D3/294
2004/0035734 A1 *	2/2004	Chin-Hui	206/372
2005/0072701 A1 *	4/2005	Allan et al.	206/373
2007/0095690 A1 *	5/2007	Nguy et al.	206/372
2009/0242440 A1 *	10/2009	Chang	206/349

* cited by examiner

Primary Examiner — Jennifer Rivard
Assistant Examiner — April Rivas
(74) *Attorney, Agent, or Firm* — Dan DeLaRosa

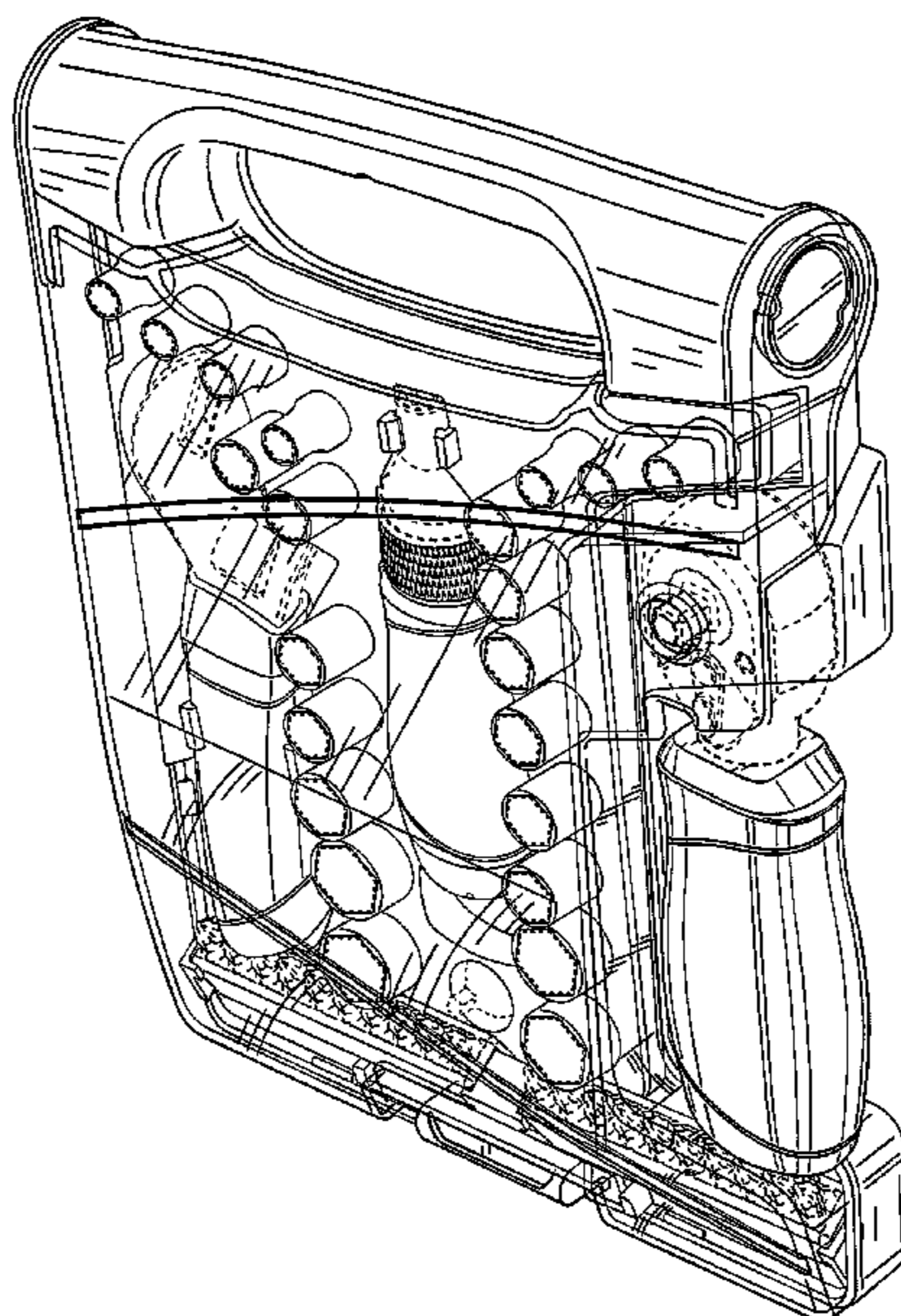
(57) **CLAIM**
The ornamental design for a tool case with tools, as shown and described.

DESCRIPTION

FIG. 1 is a front perspective view of the tool case with tools of the present invention showing my new design; FIG. 2 is a front side elevational view thereof; FIG. 3 is a back side elevational view thereof; FIG. 4 is a side elevational view thereof; FIG. 5 is another side elevational view thereof; FIG. 6 is a top plan view thereof; and, FIG. 7 is a bottom plan view thereof. The broken lines immediately adjacent to the circular features in FIGS. 1 and 2 represent the bounds of the claim. The remaining broken lines illustrate portions of the tool case with tools. None of the broken lines forms any part of the claimed design.

1 Claim, 6 Drawing Sheets

- (56) **References Cited**
U.S. PATENT DOCUMENTS
- | | | | | |
|--------------|---------|-----------------|-------|--------|
| D373,901 S * | 9/1996 | Bergstedt | | D3/294 |
| D384,203 S * | 9/1997 | Jacobson | | D3/299 |
| D467,077 S * | 12/2002 | Nawrozki et al. | | D3/282 |
| D473,713 S * | 4/2003 | Chen | | D3/282 |
| D483,180 S * | 12/2003 | Chen | | D3/282 |
| D519,733 S * | 5/2006 | Chen | | D3/293 |



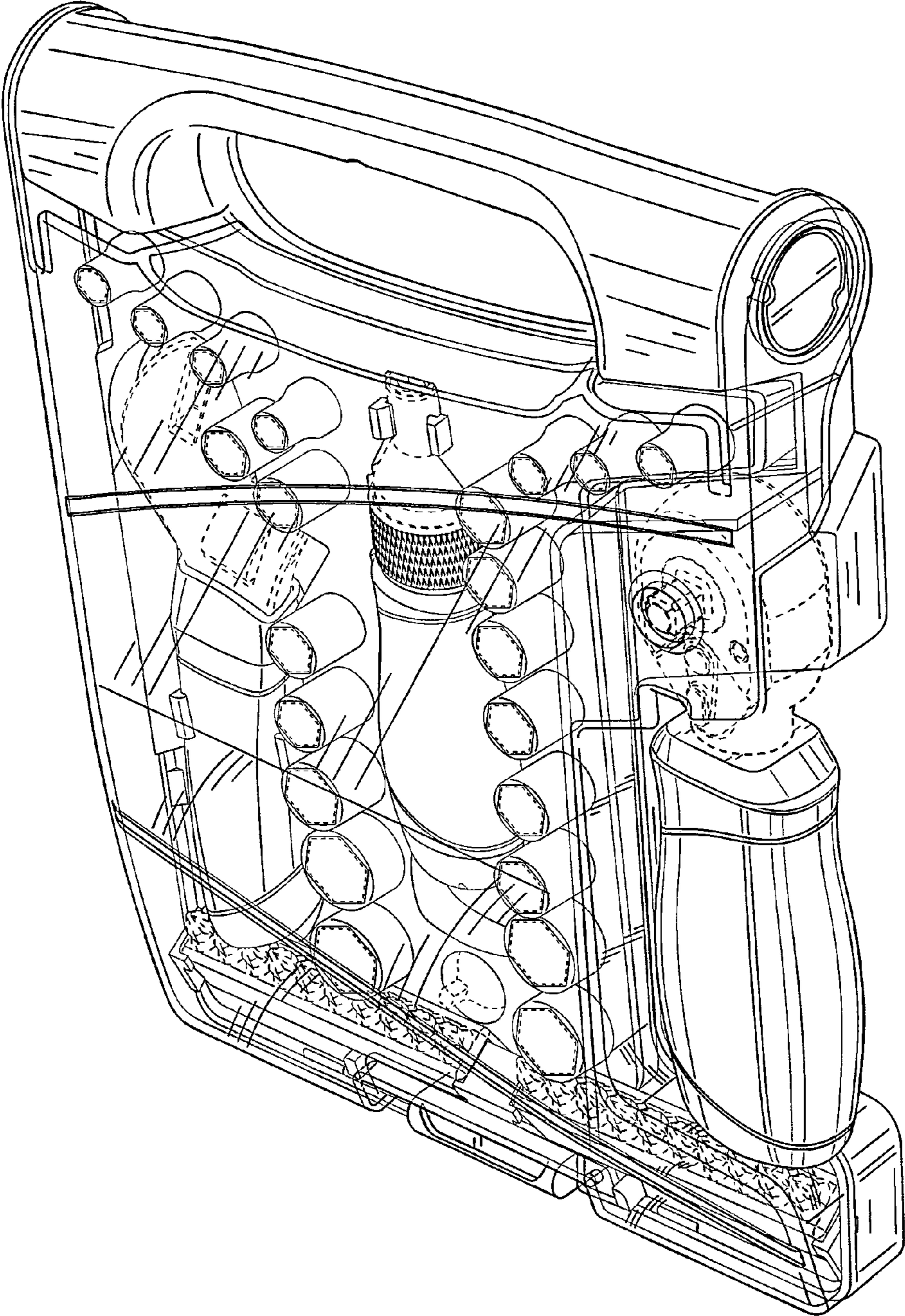


FIG. 1

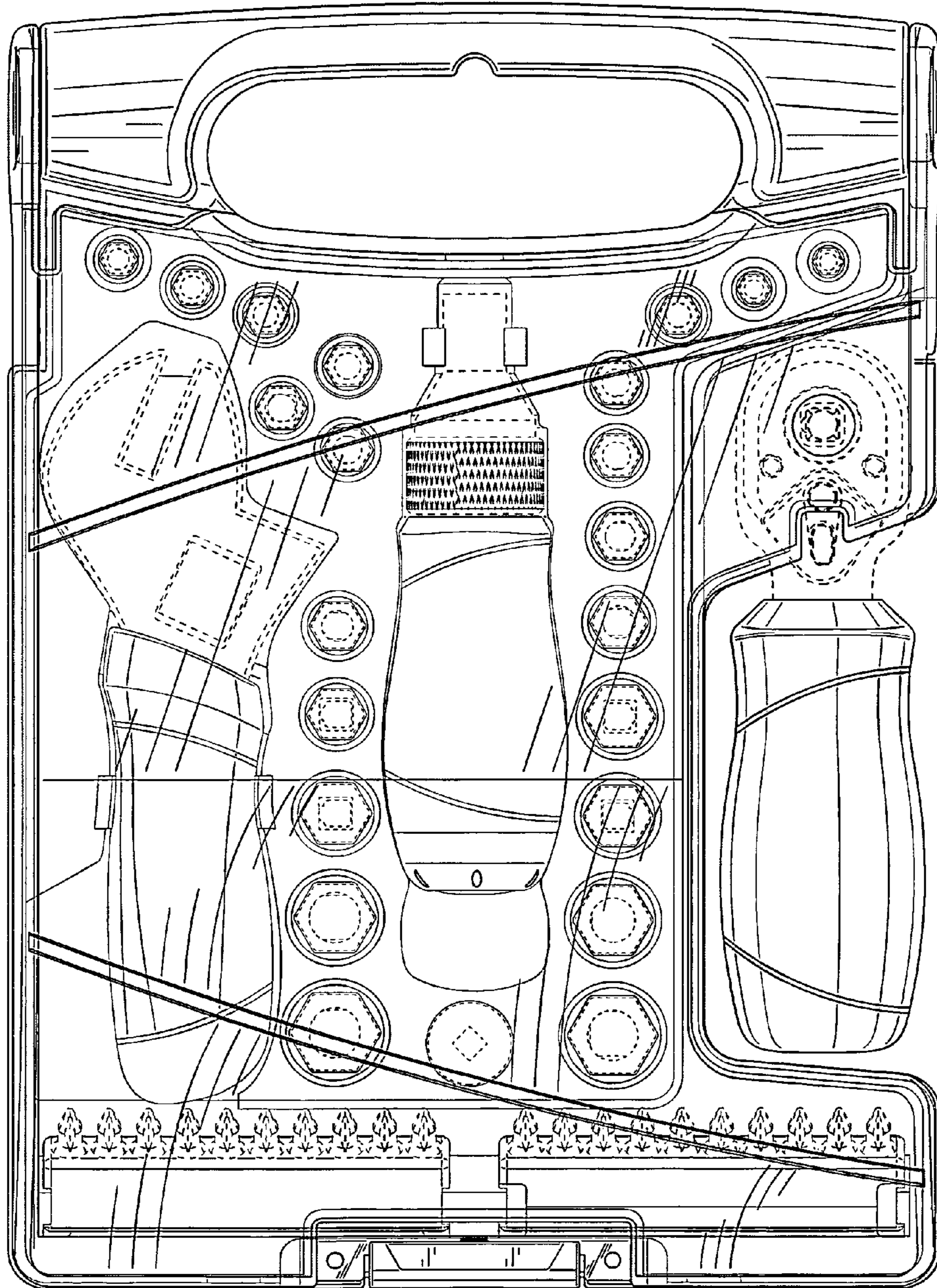


FIG. 2

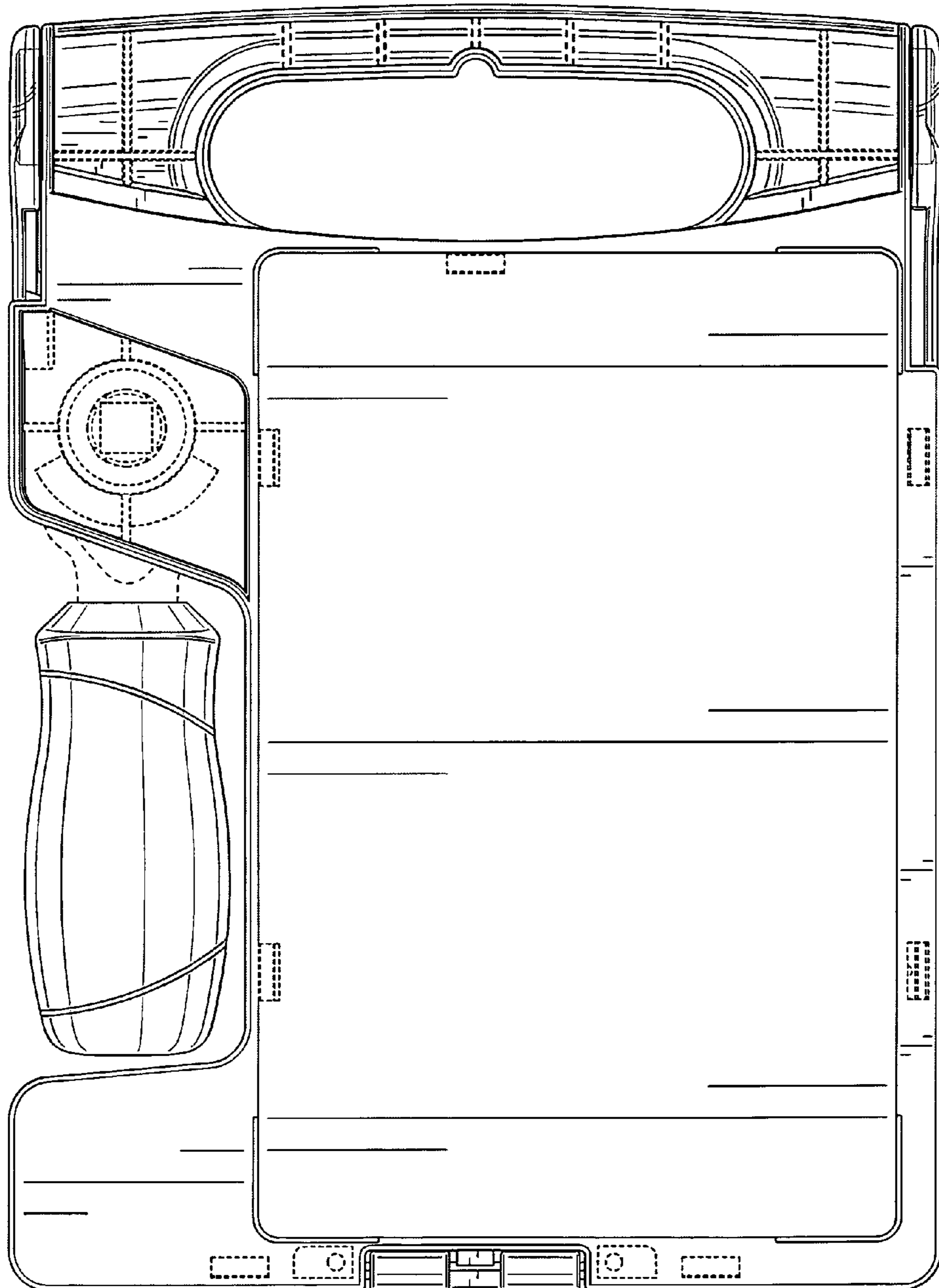


FIG. 3

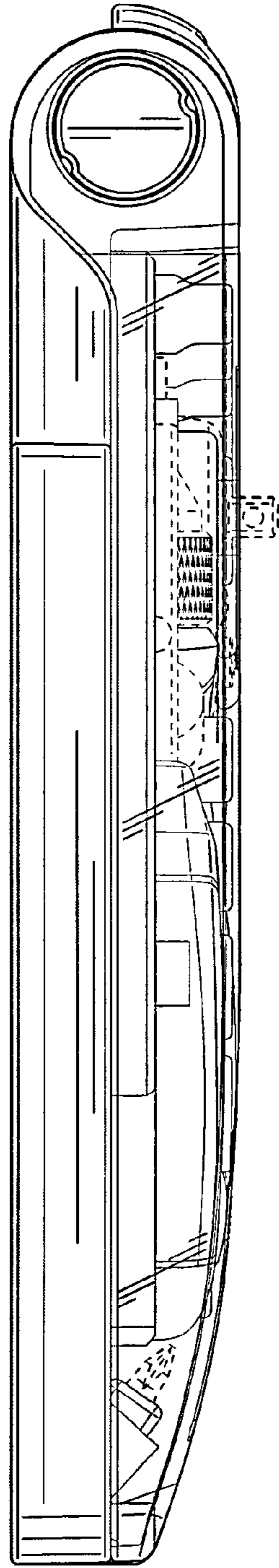


FIG. 4

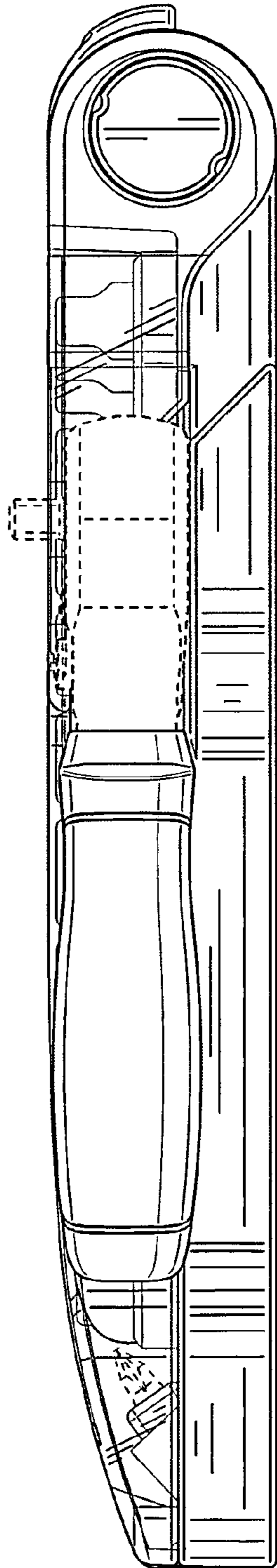


FIG. 5

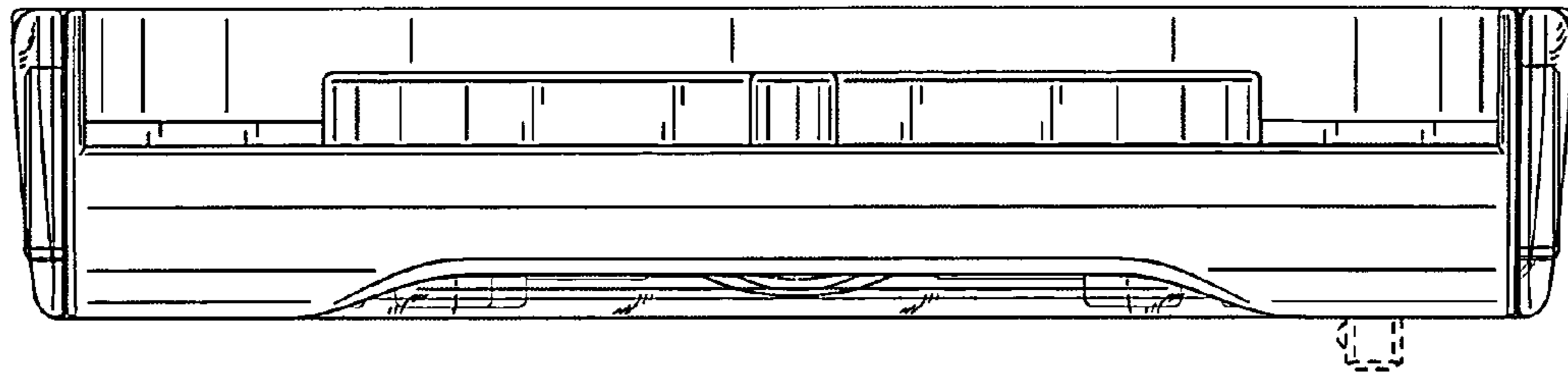


FIG. 6

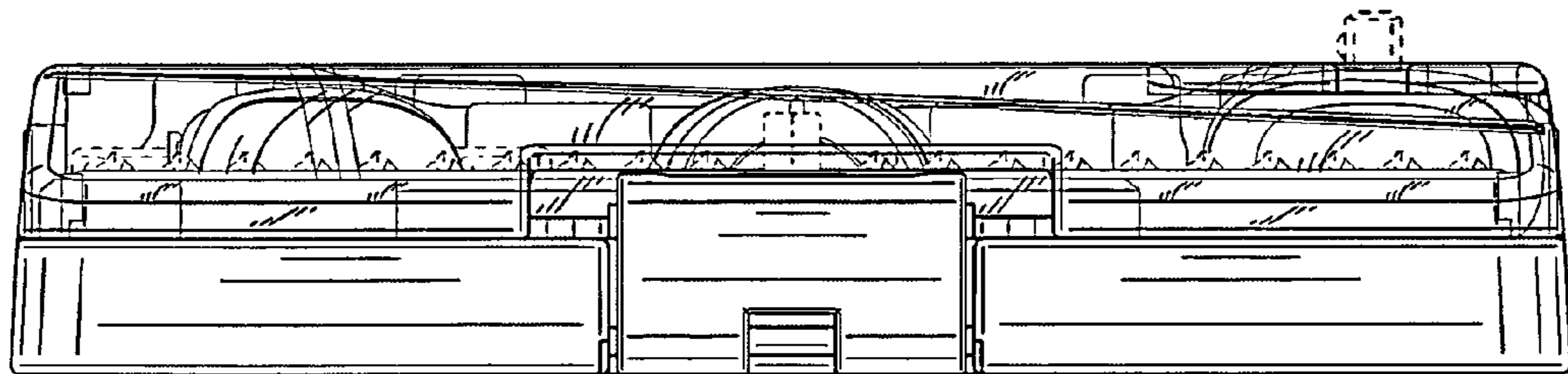


FIG. 7