



US00D727022S

(12) **United States Design Patent**
Torro

(10) **Patent No.:** **US D727,022 S**
(45) **Date of Patent:** **** Apr. 21, 2015**

- (54) **EYEWEAR HOLDER**
- (71) Applicant: **Rakku Inc.**, Los Angeles, CA (US)
- (72) Inventor: **Danilo Torro**, Los Angeles, CA (US)
- (73) Assignee: **Rakku Inc.**, Los Angeles, CA (US)
- (**) Term: **14 Years**
- (21) Appl. No.: **29/466,071**
- (22) Filed: **Sep. 4, 2013**
- (51) **LOC (10) Cl.** **03-01**
- (52) **U.S. Cl.**
USPC **D3/265**
- (58) **Field of Classification Search**
USPC D3/206, 263, 265, 266, 294, 316;
D6/315-328, 518; 190/20; 220/283,
220/817, 818, 819, 836; 206/403-406, 408;
211/10, 13.1, 85.1, 85.3, 113
See application file for complete search history.

6,446,808	B1 *	9/2002	Paul et al.	206/494
D485,680	S *	1/2004	Hasenfrantz, III	D3/265
D574,148	S *	8/2008	Roth et al.	D3/242
D601,796	S *	10/2009	Banks	D3/279

* cited by examiner

Primary Examiner — Derrick Holland
Assistant Examiner — Lauren Calve
 (74) *Attorney, Agent, or Firm* — One3 IP Management, P.C.;
 Jeromye V. Sartain

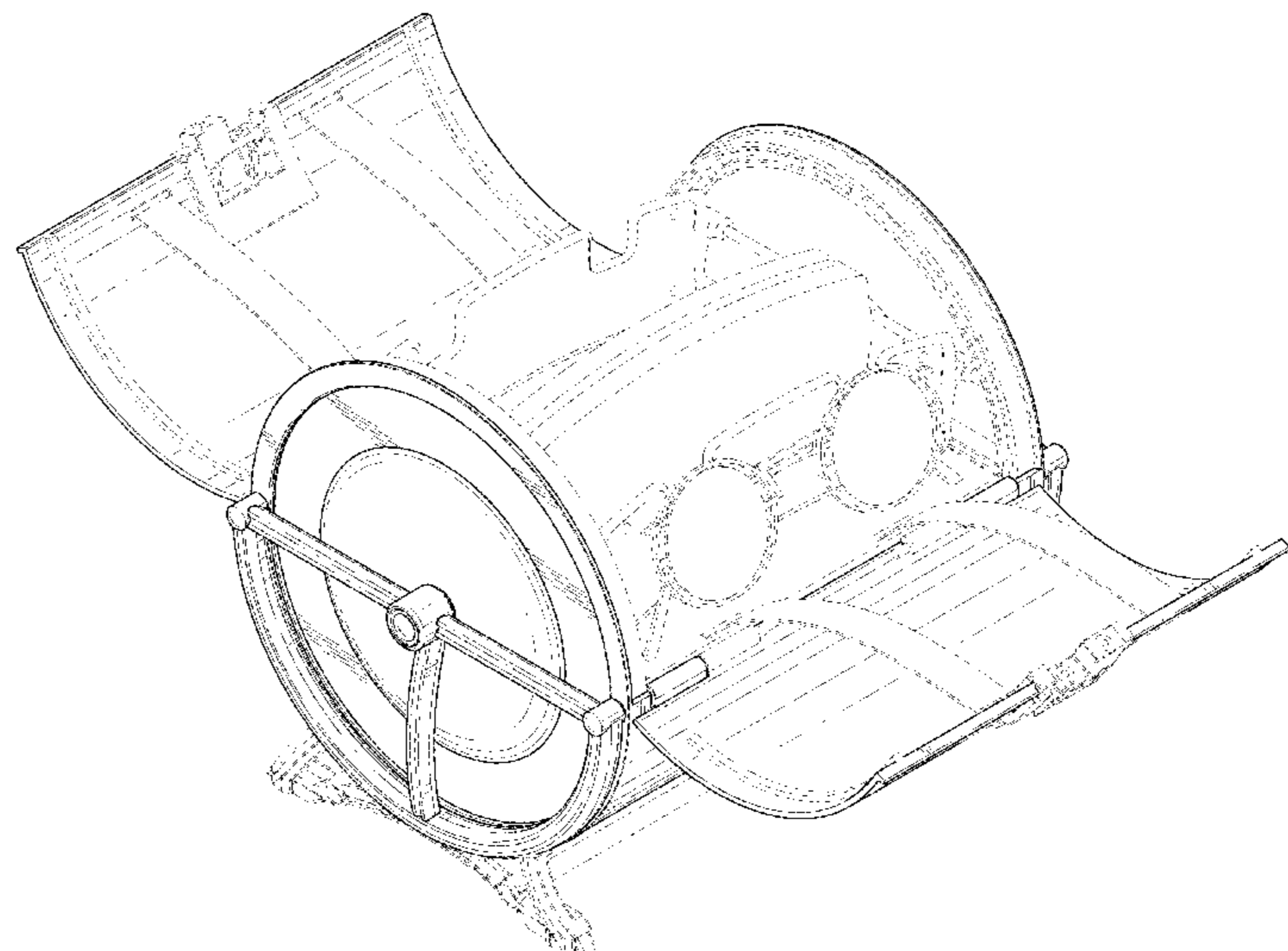
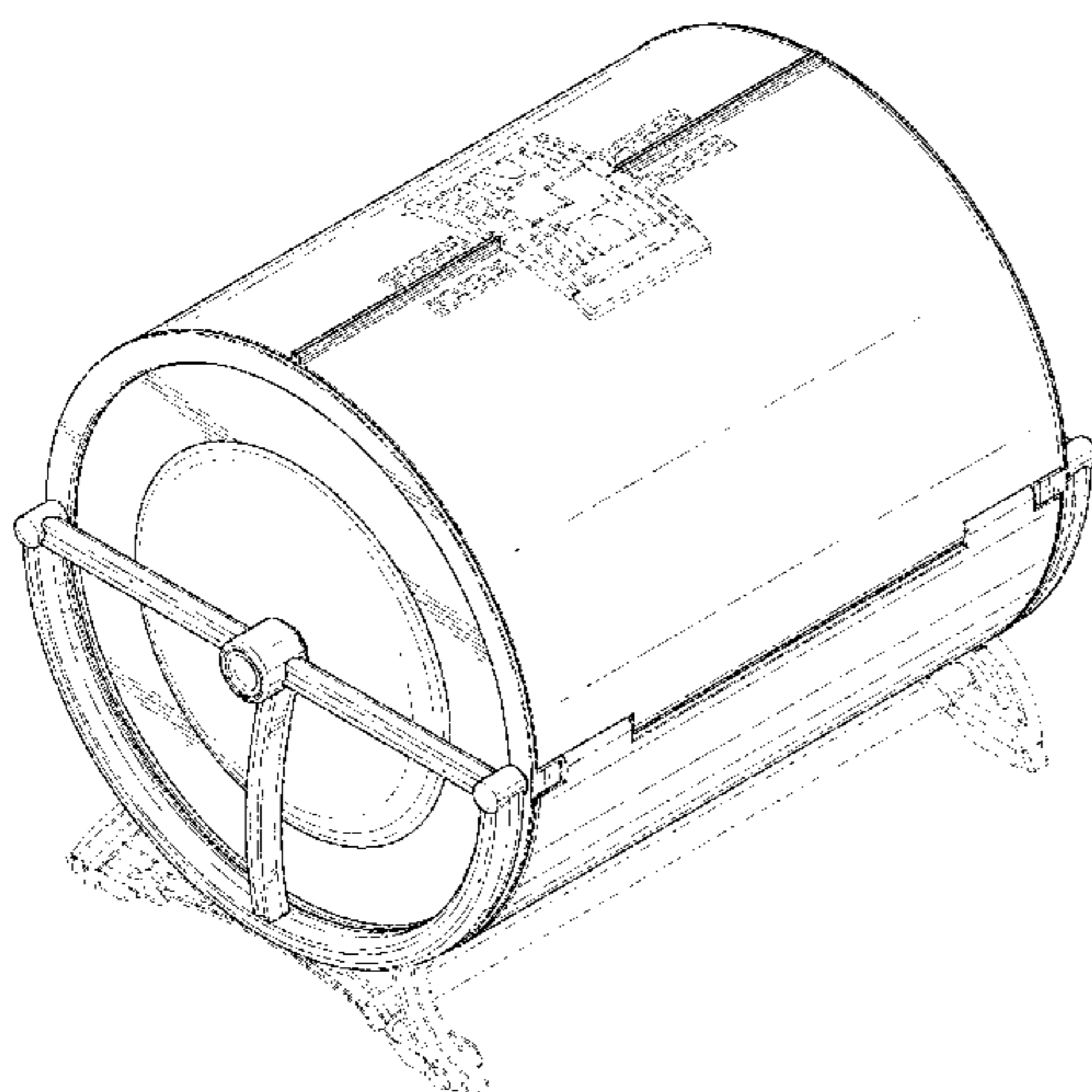
(57) **CLAIM**
 The ornamental design for an eyewear holder, as shown and described.

DESCRIPTION

FIG. 1 is a perspective view of an eyewear holder showing my new design;
 FIG. 2 is a front view thereof;
 FIG. 3 is a rear view thereof;
 FIG. 4 is a top view thereof;
 FIG. 5 is a bottom view thereof;
 FIG. 6 is a left side view thereof;
 FIG. 7 is a right side view thereof; and,
 FIG. 8 is a second perspective view thereof, shown in an open configuration.
 The broken lines shown represent unclaimed subject matter and form no part of the claimed design.

1 Claim, 8 Drawing Sheets

- (56) **References Cited**
 U.S. PATENT DOCUMENTS
 140,548 A * 7/1873 Scott 190/109
 506,033 A * 10/1893 Burkman 190/13 R
 D301,667 S * 6/1989 Barrs et al. D6/518
 D362,145 S * 9/1995 Nolen D6/523
 5,919,421 A * 7/1999 Monz et al. 422/566



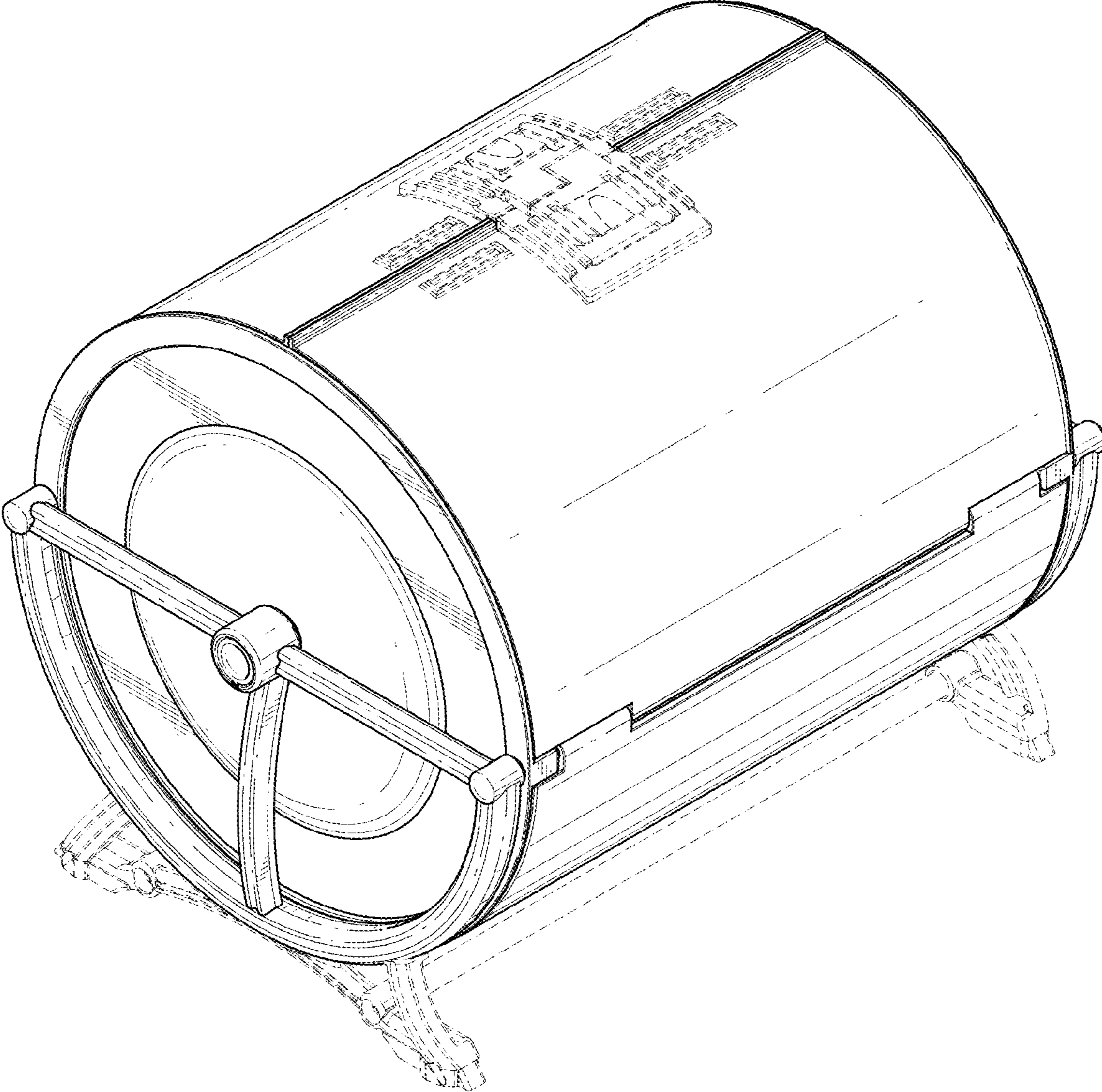


FIG. 1

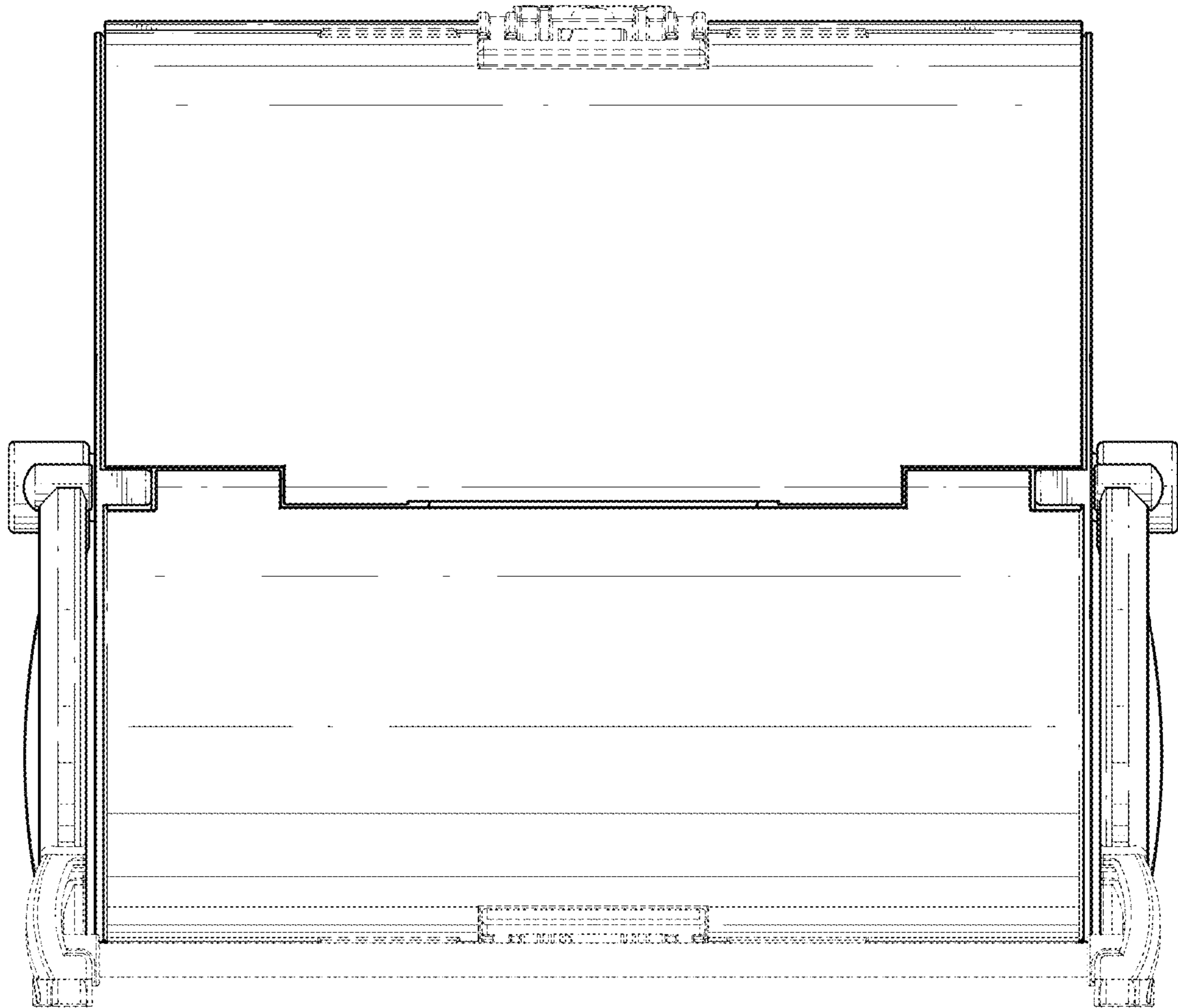


FIG. 2

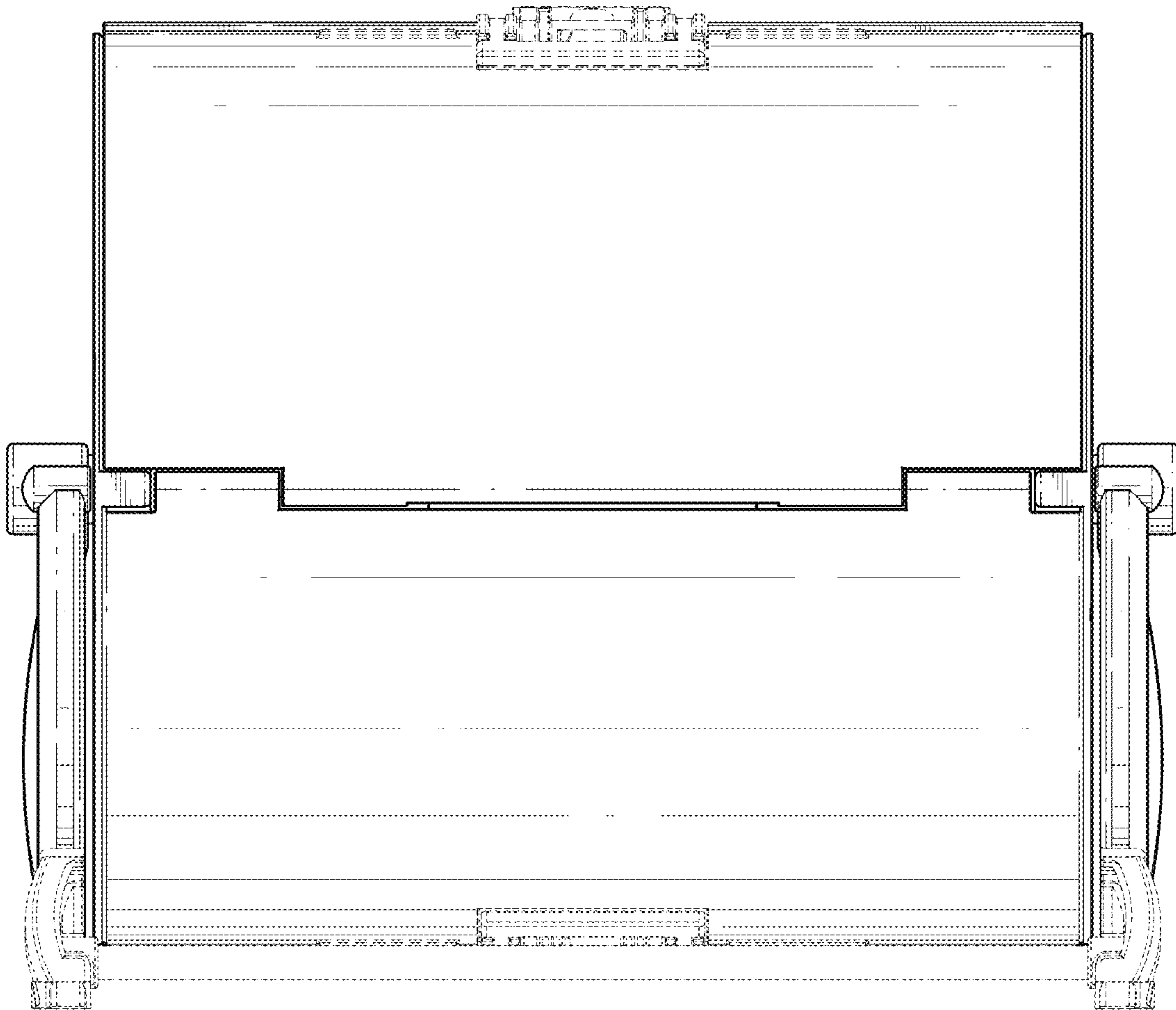


FIG. 3

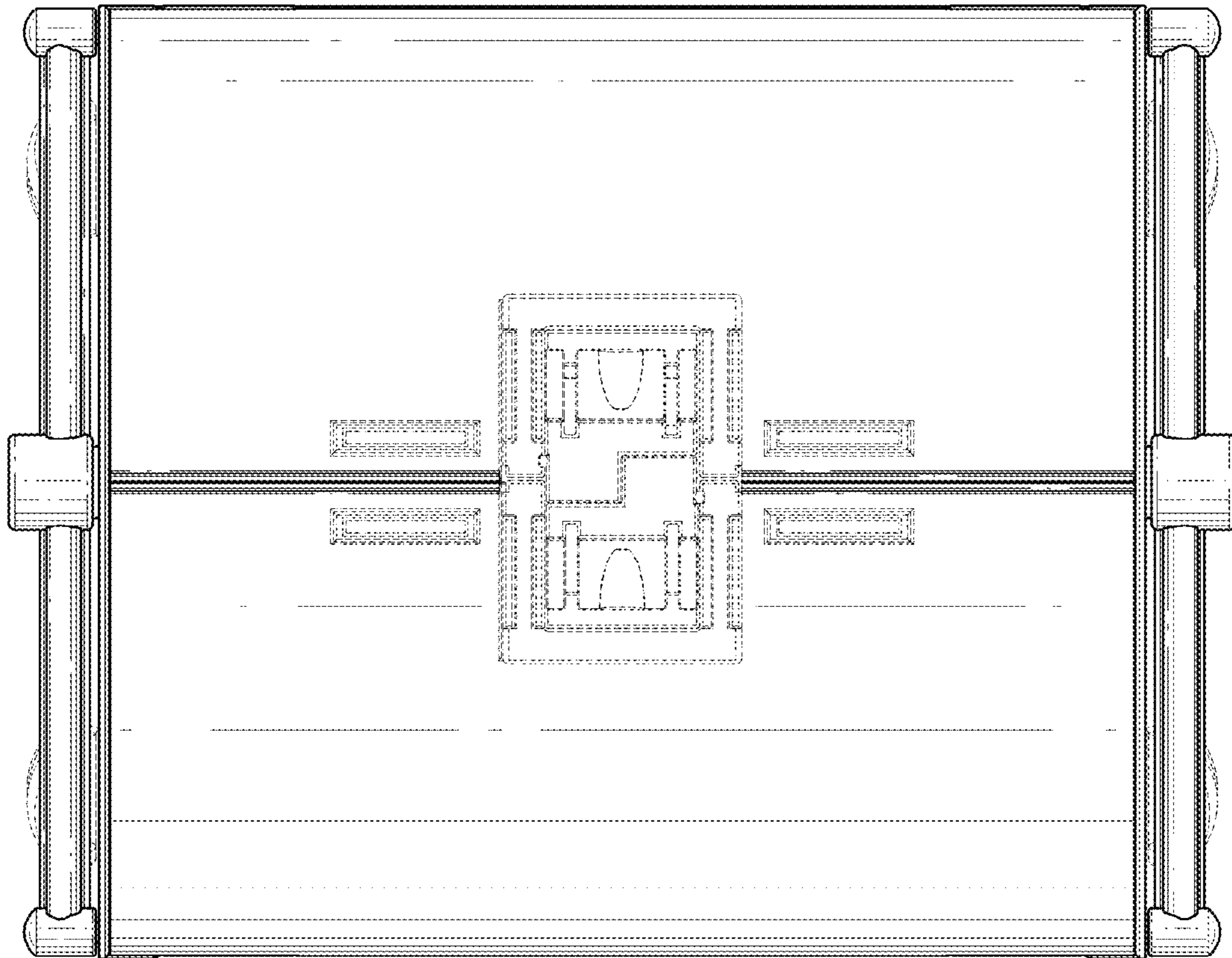


FIG. 4

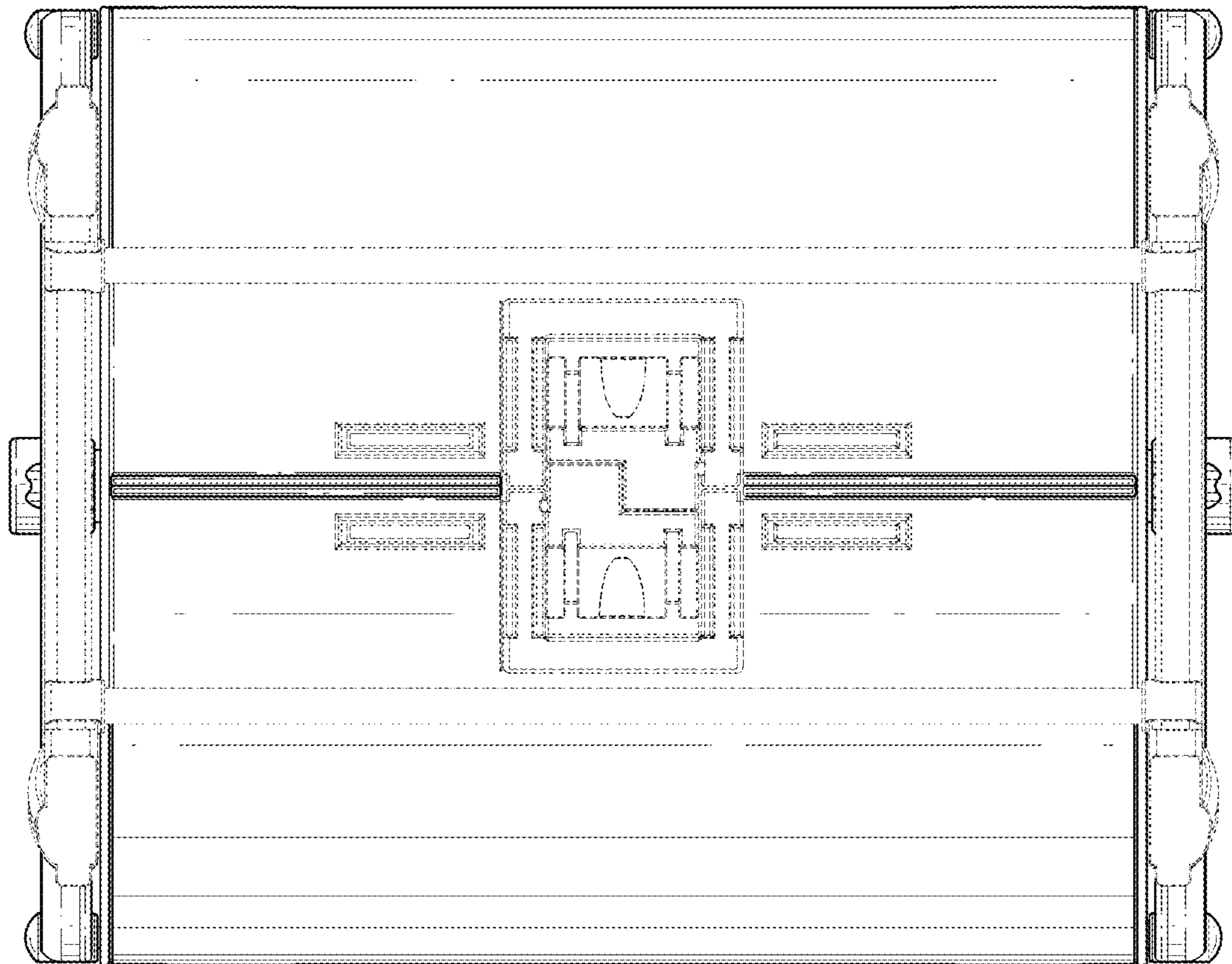


FIG. 5

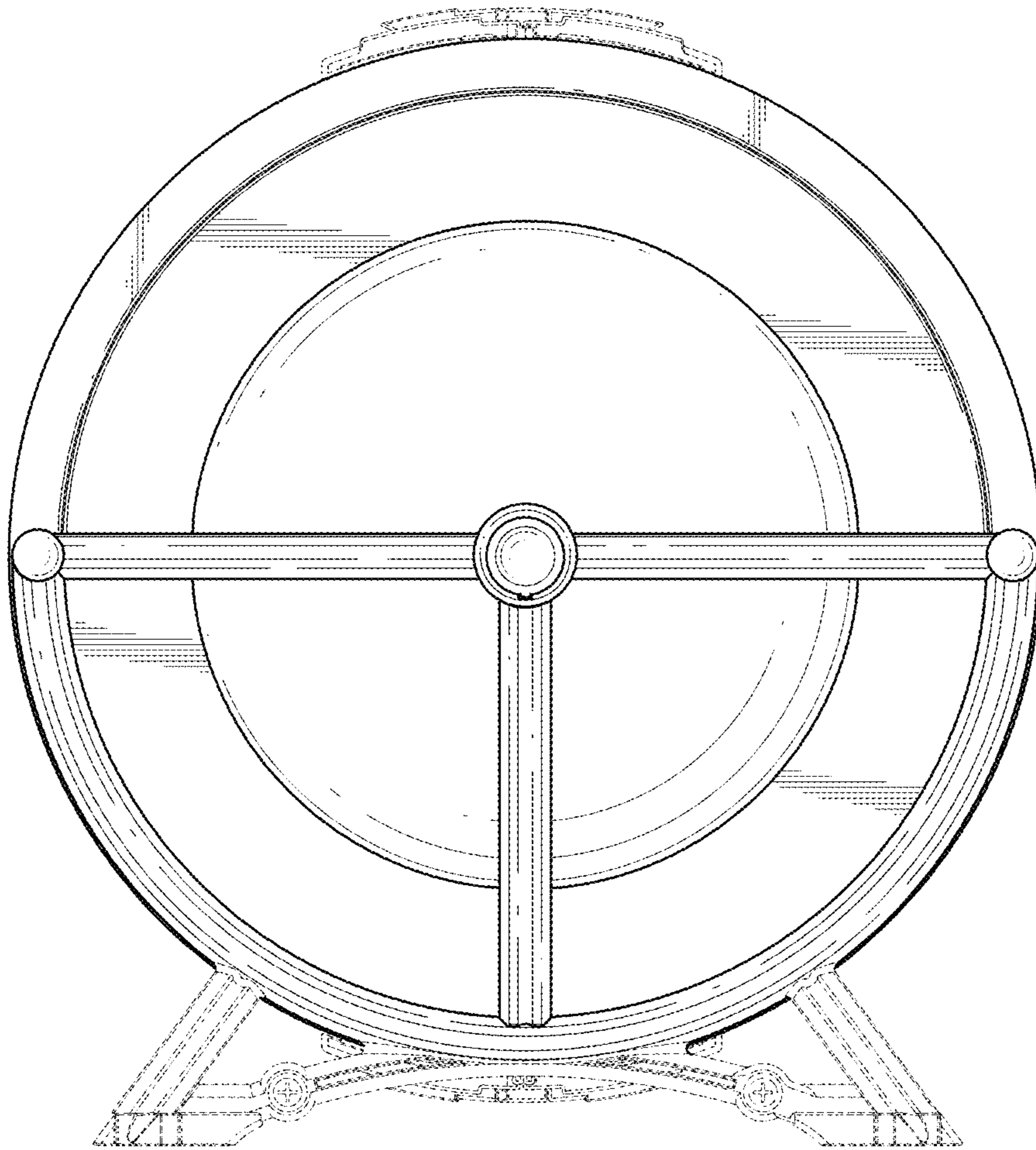


FIG. 6

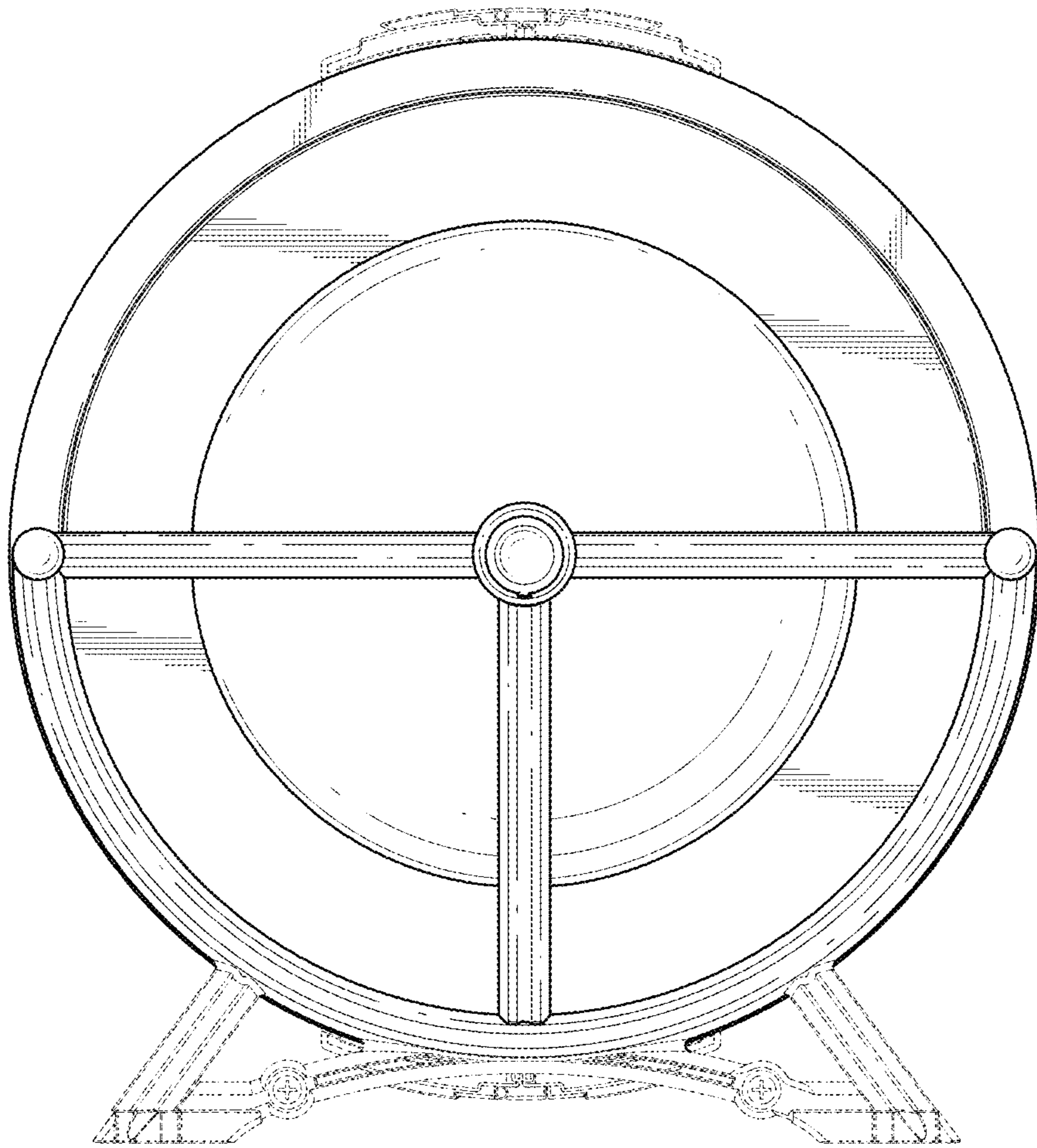


FIG. 7

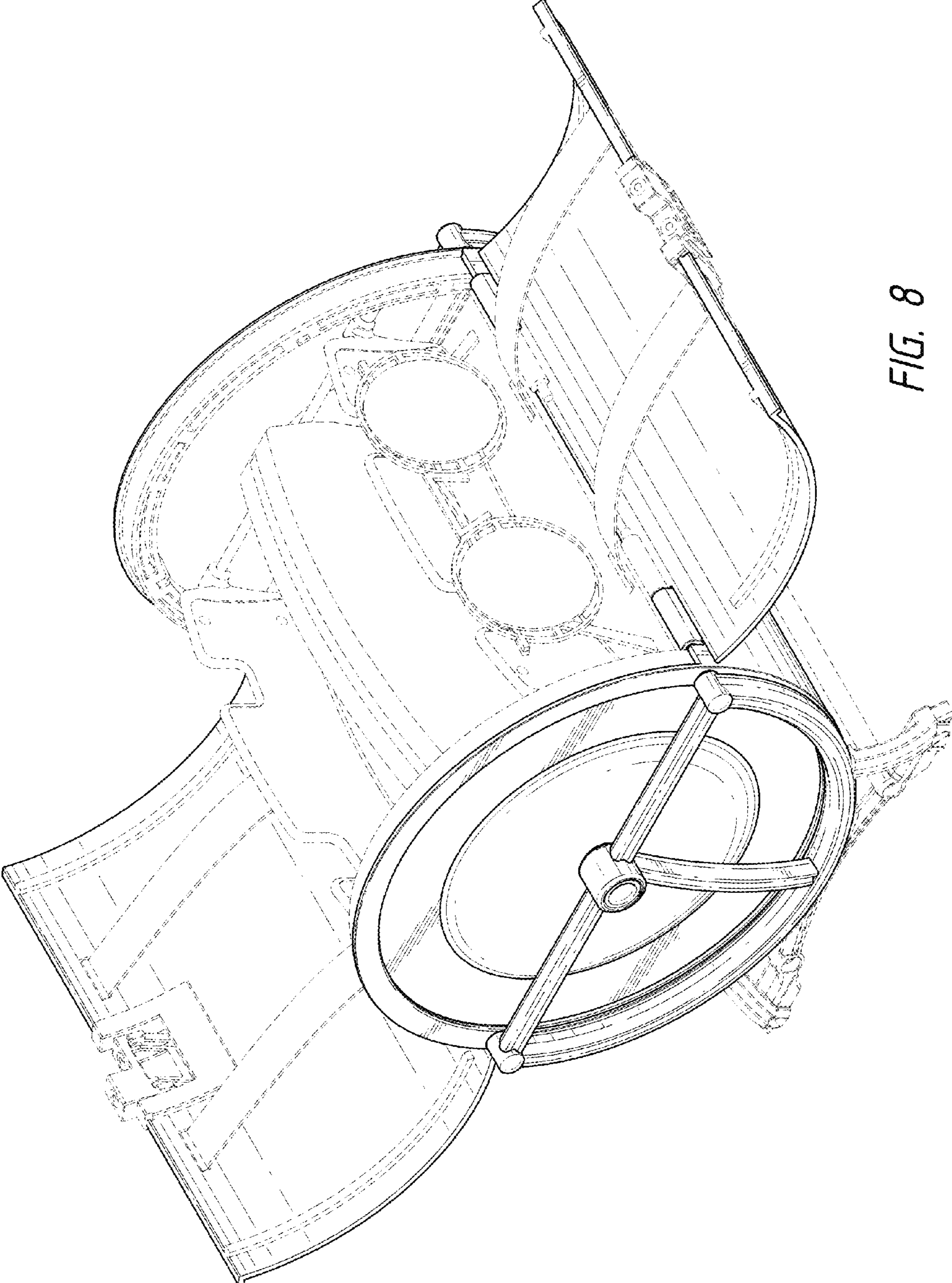


FIG. 8