



US00D727020S

(12) **United States Design Patent**
Kliot et al.

(10) **Patent No.:** **US D727,020 S**

(45) **Date of Patent:** **** Apr. 21, 2015**

(54) **HARD CASE FOR CARRYING SPORTING EQUIPMENT**

(71) Applicants: **Eugene Kliot**, Briarcliff Manor, NY (US); **Dennis Holby**, New Alexandria, PA (US)

(72) Inventors: **Eugene Kliot**, Briarcliff Manor, NY (US); **Dennis Holby**, New Alexandria, PA (US)

(73) Assignee: **Visual Impact Films Corp**, Hartsdale, NY (US)

(**) Term: **14 Years**

(21) Appl. No.: **29/478,078**

(22) Filed: **Dec. 31, 2013**

(51) **LOC (10) Cl.** **03-01**

(52) **U.S. Cl.**
USPC **D3/254**

(58) **Field of Classification Search**
CPC B65D 85/00
USPC D3/254, 262
See application file for complete search history.

(56) **References Cited**

U.S. PATENT DOCUMENTS

D509,956 S * 9/2005 Lin D3/254
D575,058 S * 8/2008 Lucas D3/254
D575,507 S * 8/2008 Lucas D3/254

* cited by examiner

Primary Examiner — Holly Baynham
(74) *Attorney, Agent, or Firm* — James Quinton

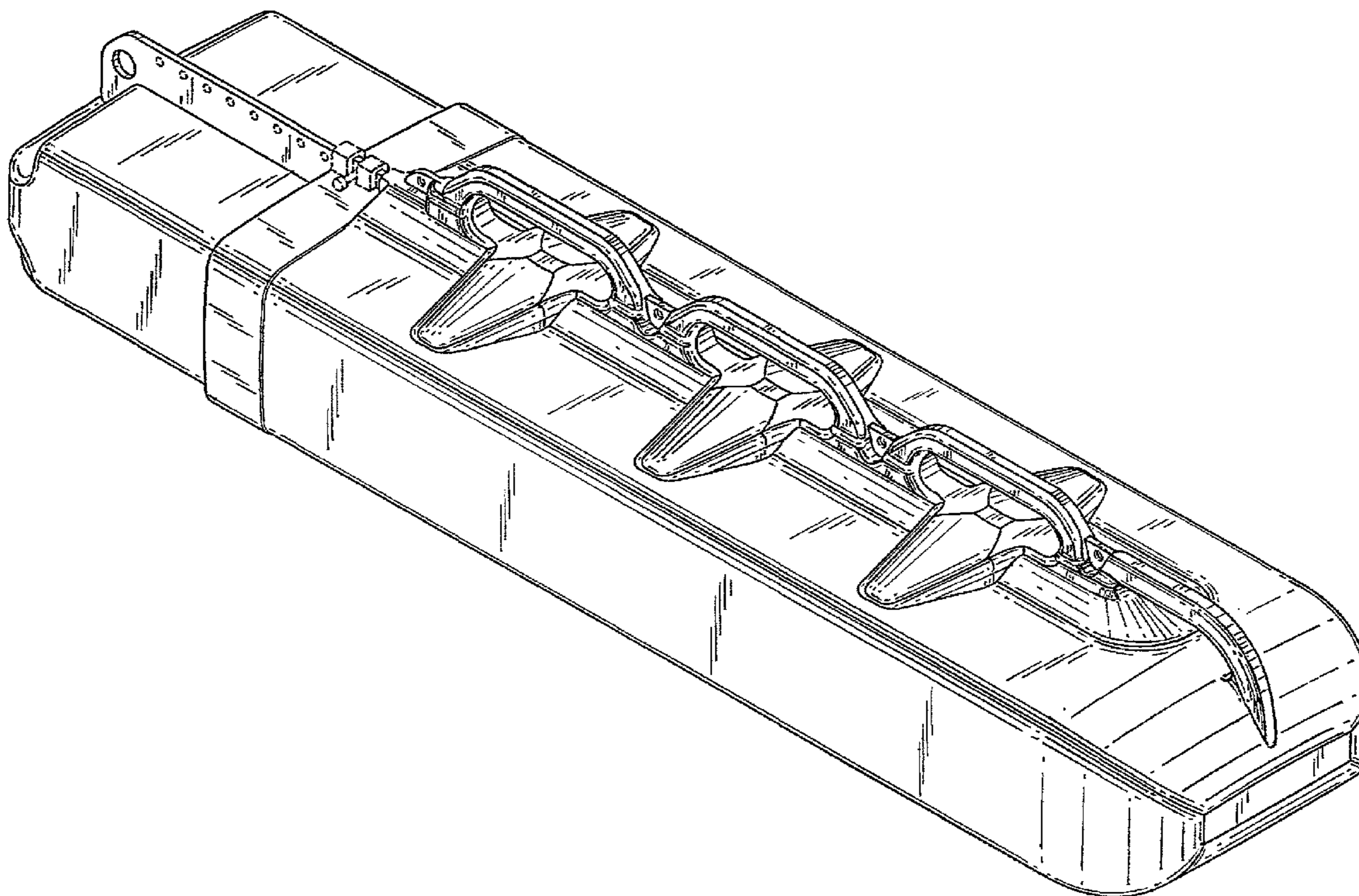
(57) **CLAIM**

We claim the ornamental design for a hard case for carrying sporting equipment, as shown and described.

DESCRIPTION

FIG. 1 is a perspective view of a hard case for carrying sporting equipment according to the invention.
FIG. 2 is a top elevational view of a hard case for carrying sporting equipment according to the invention.
FIG. 3 is a left side view of a hard case for carrying sporting equipment according to the invention, the right side being a mirror image thereof.
FIG. 4 is a rear view of a hard case for carrying sporting equipment according to the invention.
FIG. 5 is a front view of a hard case for carrying sporting equipment according to the invention; and,
FIG. 6 is a bottom elevational view of a hard case for carrying sporting equipment according to the invention.
The broken lines showing a portion of the case are for the purposes of illustrating environment and form no part of the claimed design.

1 Claim, 3 Drawing Sheets



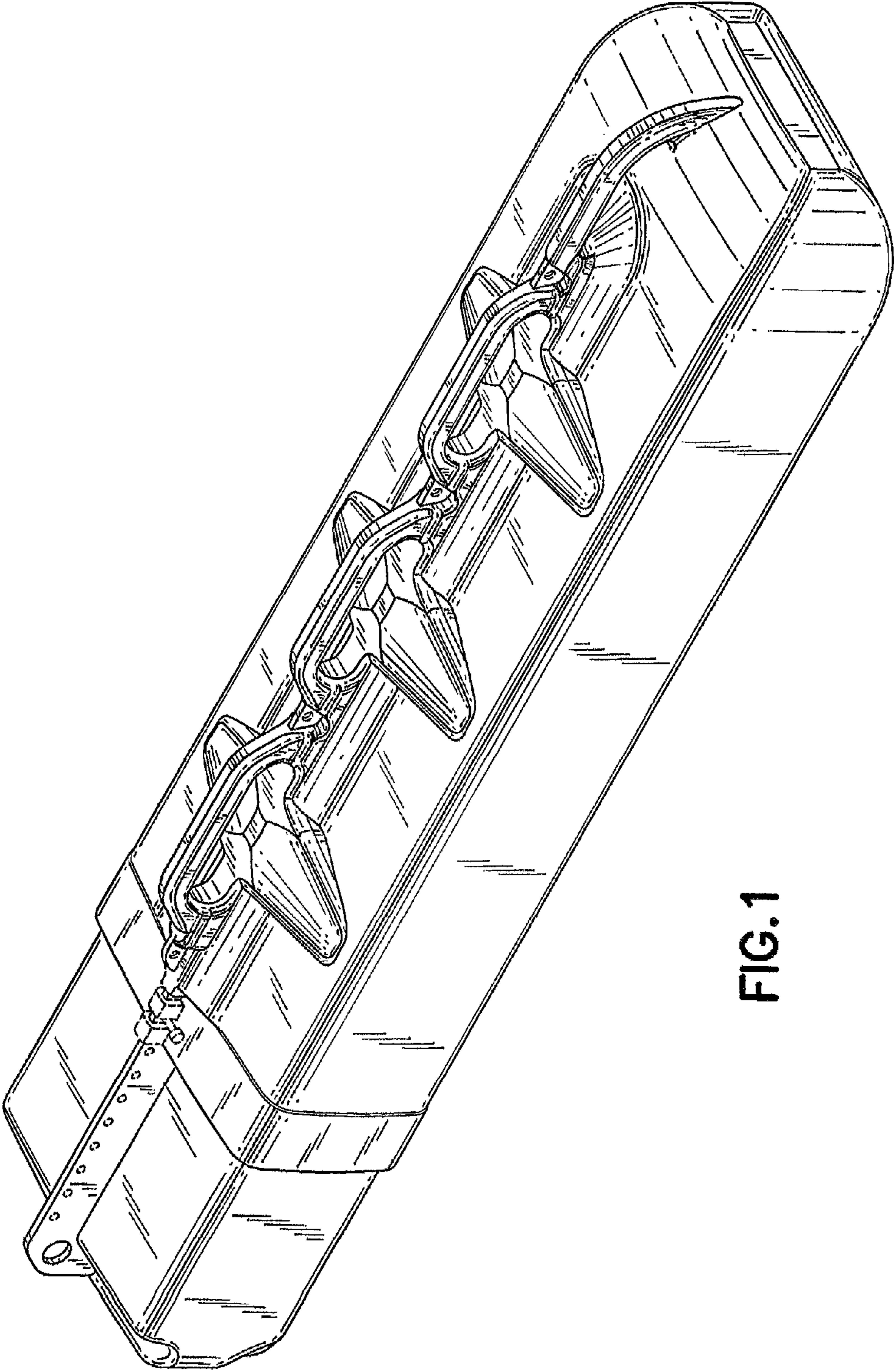


FIG. 1

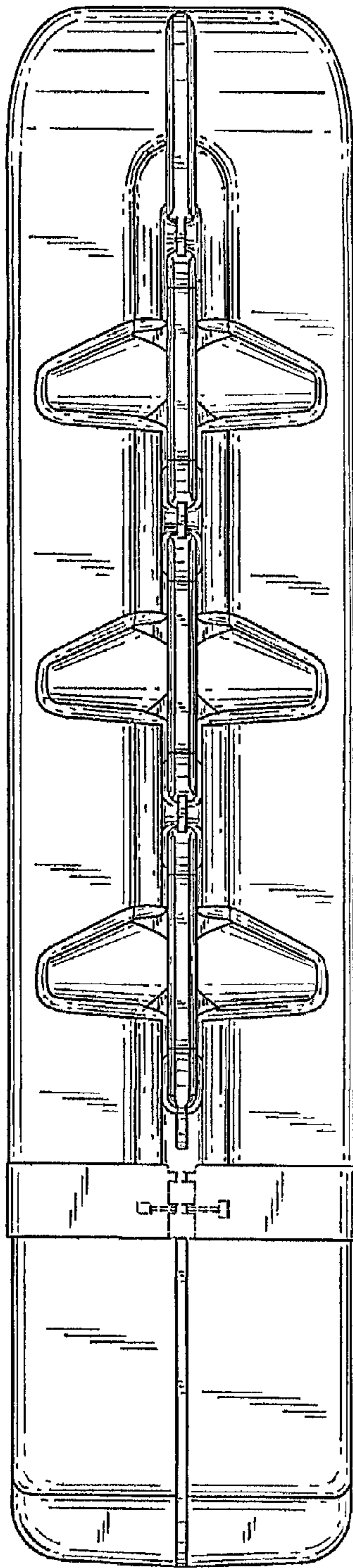


FIG. 2

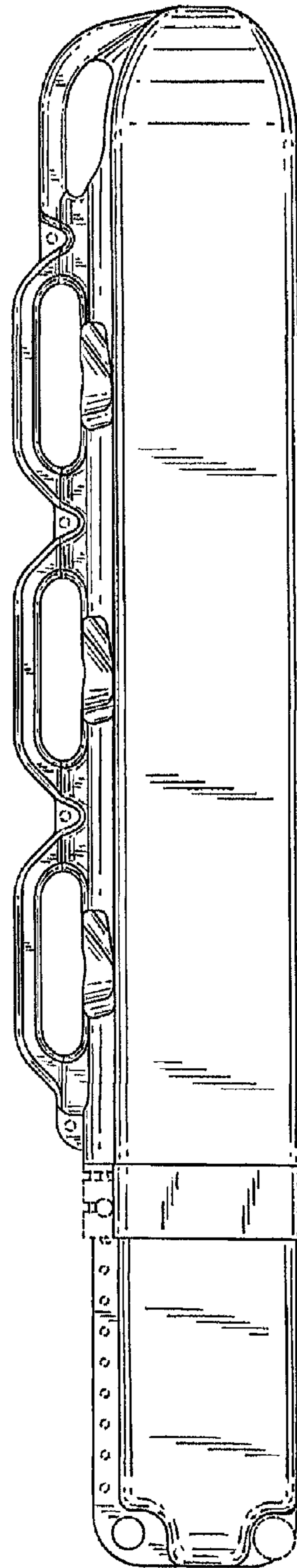


FIG. 3

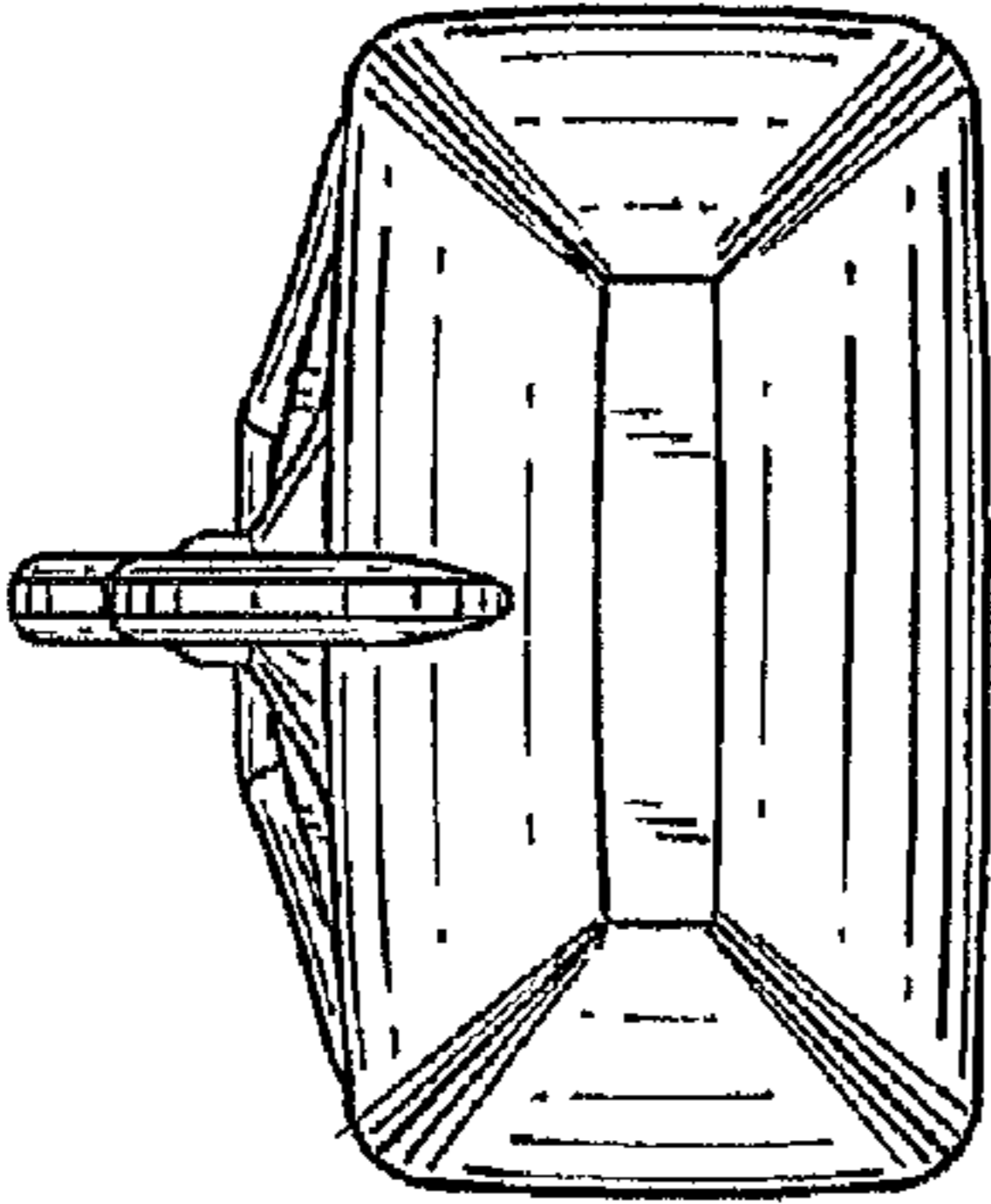


FIG. 5

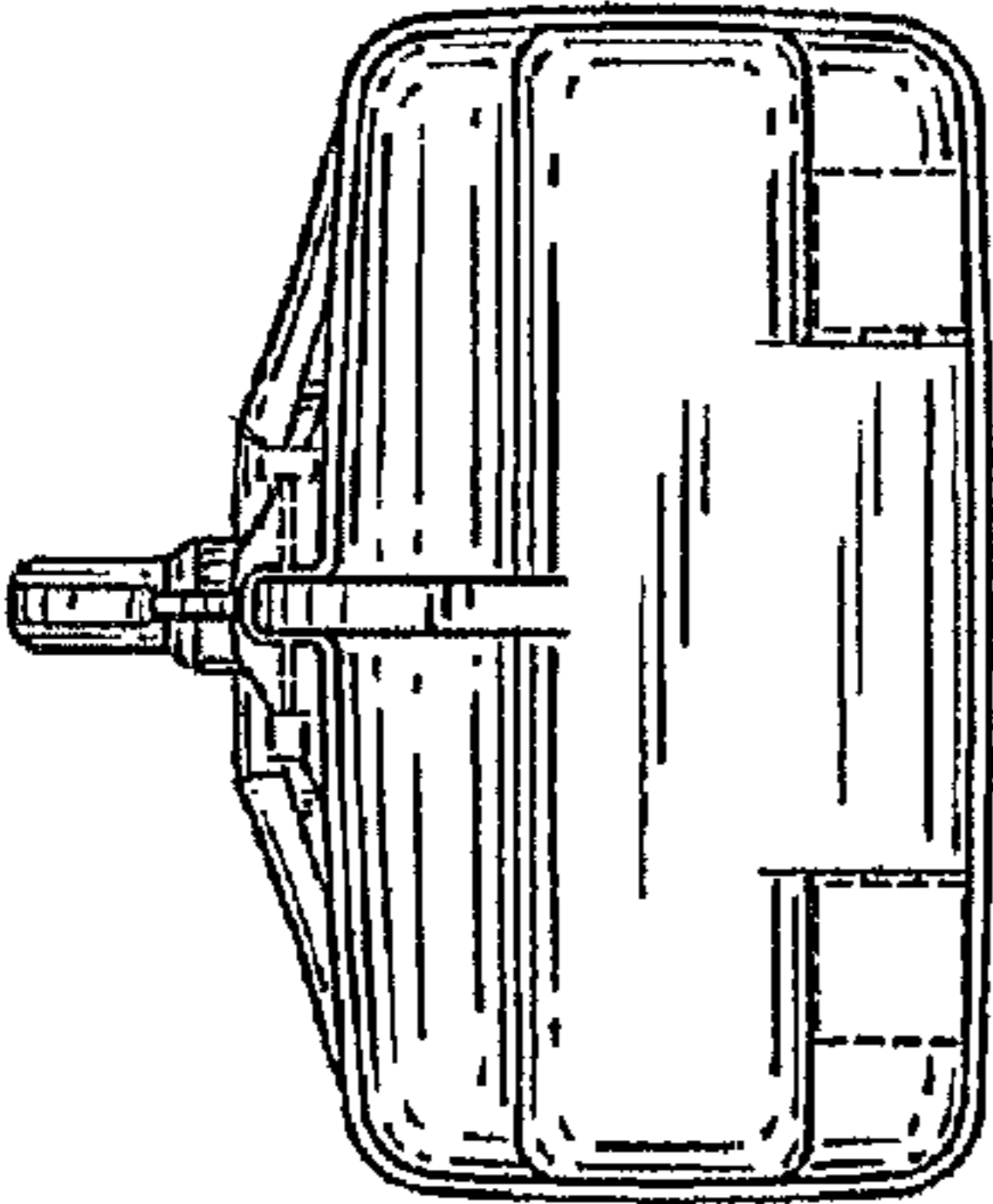


FIG. 4

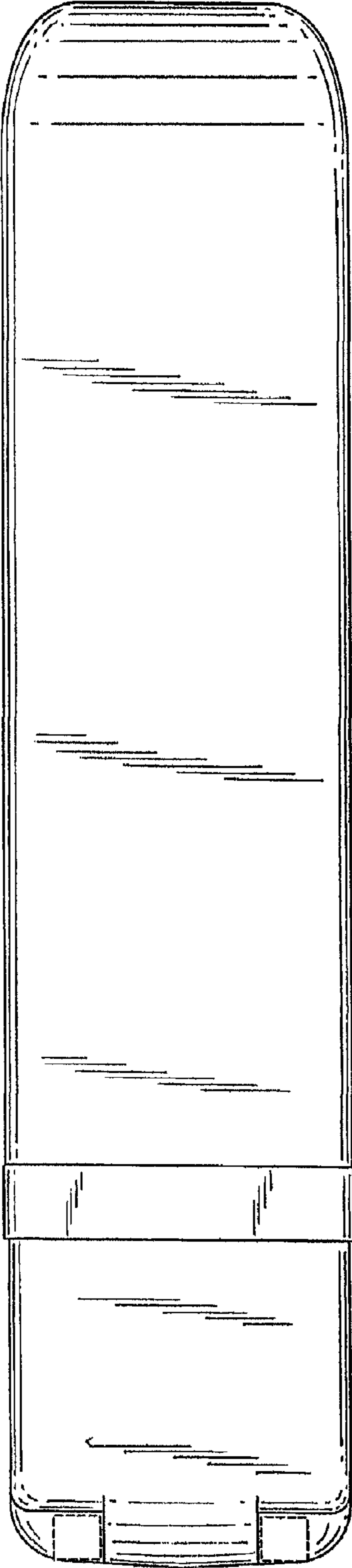


FIG. 6