



US00D727018S

(12) **United States Design Patent**  
**Fusi**

(10) **Patent No.:** **US D727,018 S**  
(45) **Date of Patent:** **\*\* Apr. 21, 2015**

(54) **HANDBAG**

(71) Applicant: **Furla S.p.A.**, S. Lazzaro di Savena (IT)

(72) Inventor: **Fabio Fusi**, Tavarnelle Val di Pesa (IT)

(73) Assignee: **Furla S.p.A.**, S. Lazzaro di Savena (IT)

(\*\*) Term: **14 Years**

(21) Appl. No.: **29/468,565**

(22) Filed: **Oct. 1, 2013**

(30) **Foreign Application Priority Data**

Apr. 10, 2013 (EM) ..... 001367395-0001

(51) **LOC (10) Cl.** ..... **03-01**

(52) **U.S. Cl.**  
USPC ..... **D3/245**

(58) **Field of Classification Search**  
CPC ..... A45C 1/024; A45C 3/06  
USPC ..... D3/232-233, 240-243, 245-246;  
150/100, 103-110, 113-114, 117-119

See application file for complete search history.

(56) **References Cited**

U.S. PATENT DOCUMENTS

D566,385 S \* 4/2008 Yuson ..... D3/232  
D609,908 S \* 2/2010 Dolce et al. .... D3/245

\* cited by examiner

*Primary Examiner* — Holly Baynham

(74) *Attorney, Agent, or Firm* — Pearne & Gordon LLP

(57) **CLAIM**

The ornamental design for a handbag, as shown and described.

**DESCRIPTION**

FIG. 1 is a front-left perspective view of a handbag, showing my new design;

FIG. 2 is a front elevational view thereof;

FIG. 3 is a right side elevational view thereof;

FIG. 4 is a top plan view thereof;

FIG. 5 is a front-top-right perspective view thereof;

FIG. 6 is a front elevational view of the handbag as folded;

FIG. 7 is a top view of the handbag as folded;

FIG. 8 is a back elevational view thereof;

FIG. 9 is a left side elevational view thereof; and,

FIG. 10 is a bottom plan view thereof.

The broken lines representing stitching are part of the claimed design.

**1 Claim, 9 Drawing Sheets**



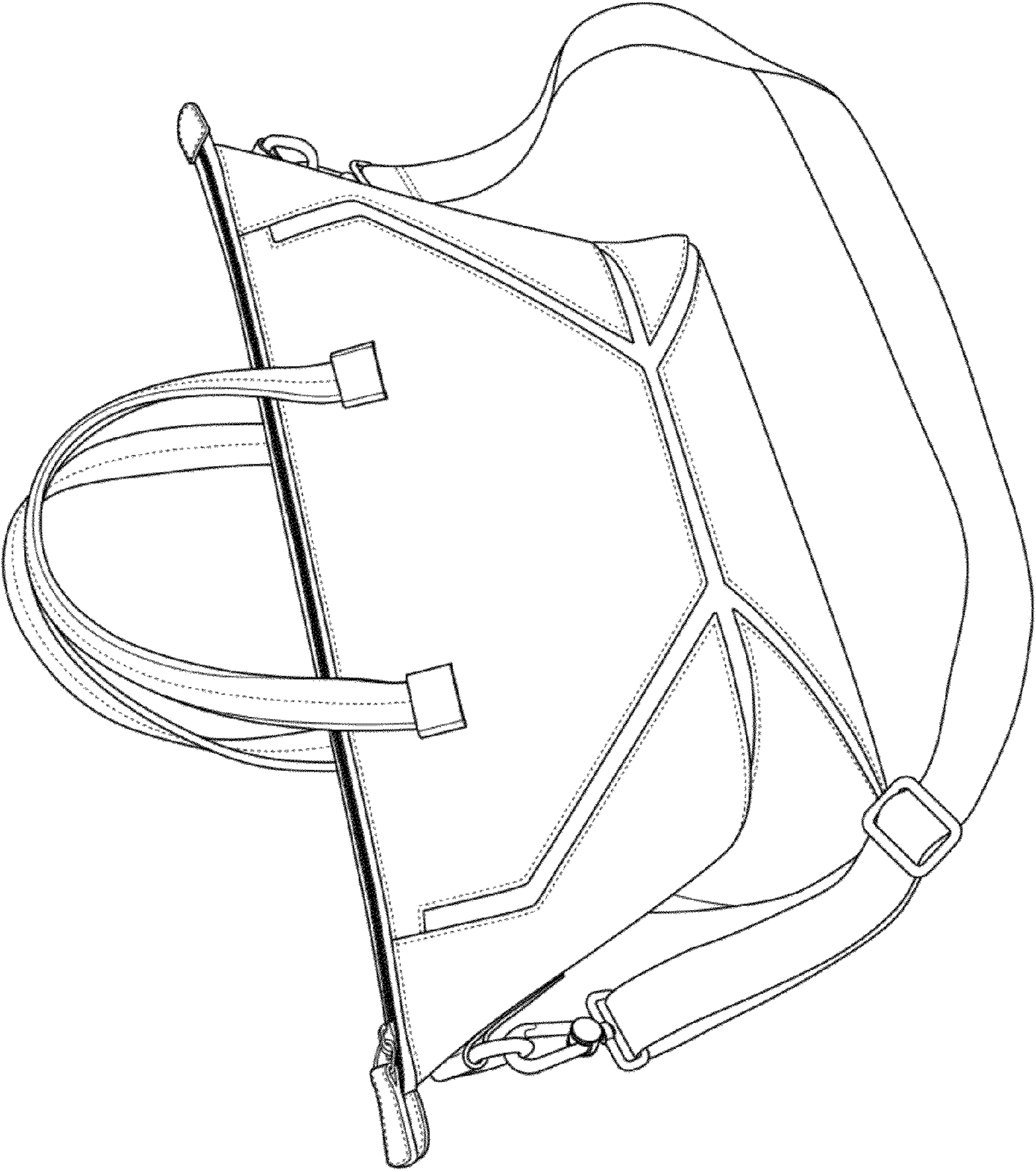


FIG. 1

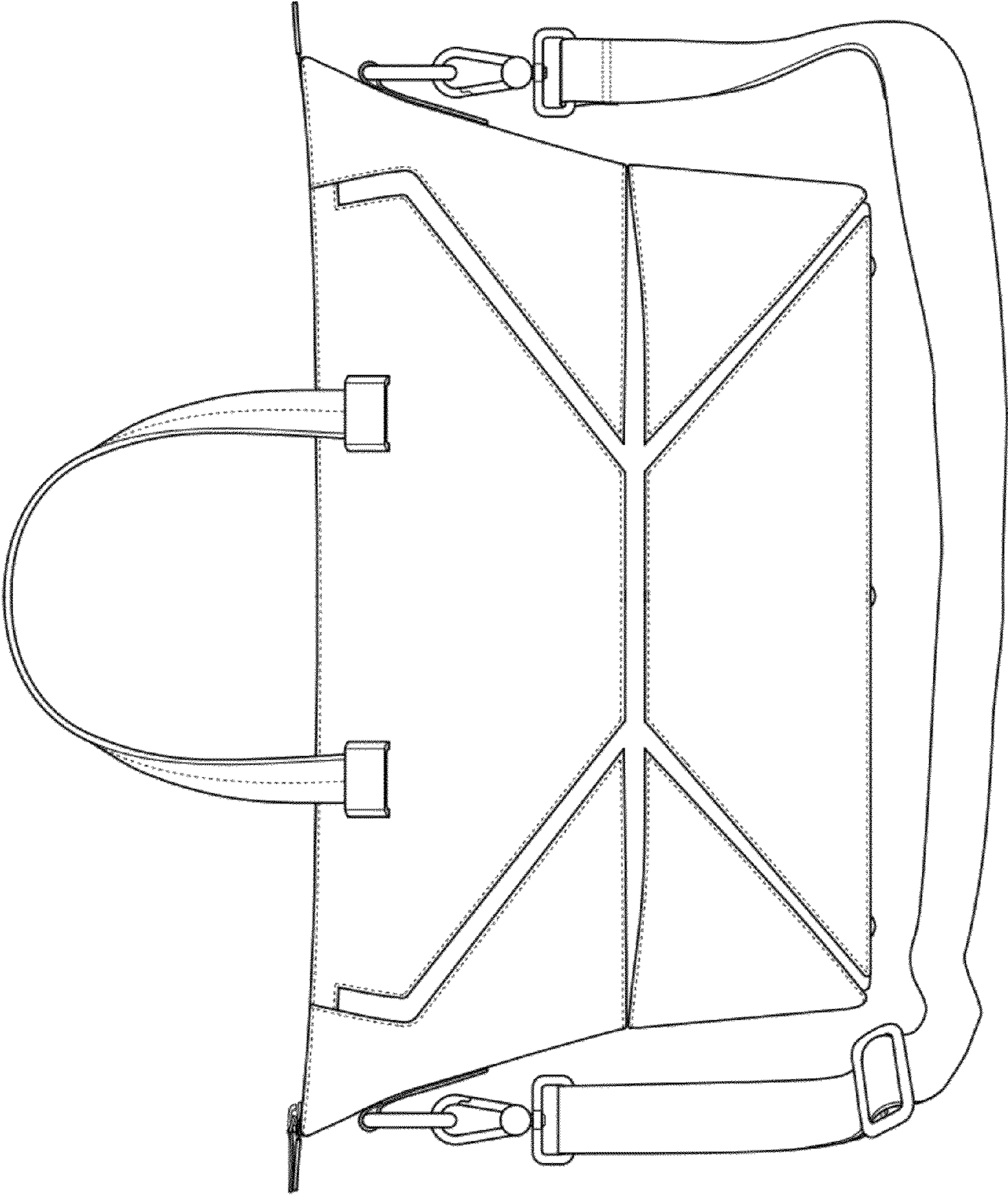


FIG. 2



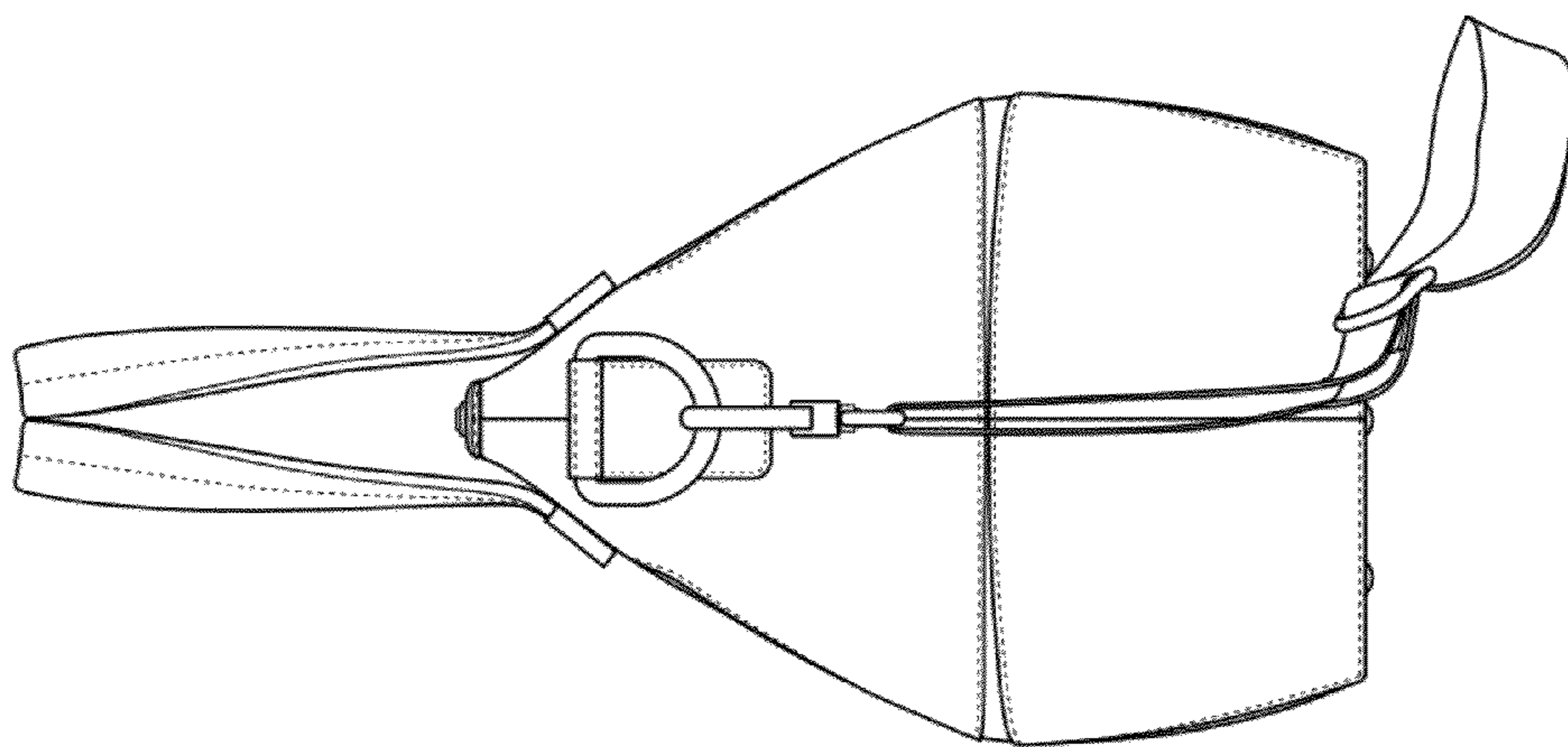


FIG. 9

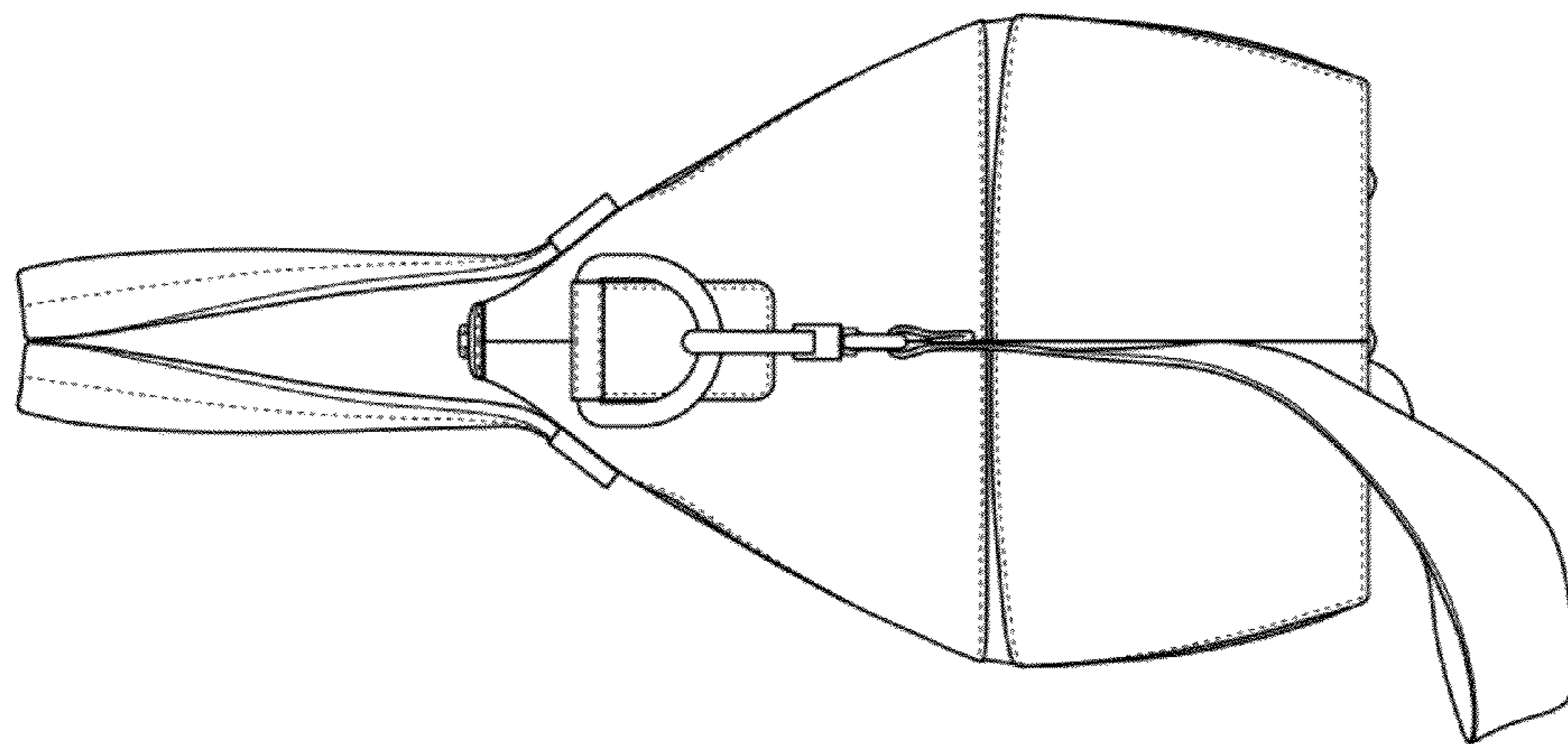


FIG. 3

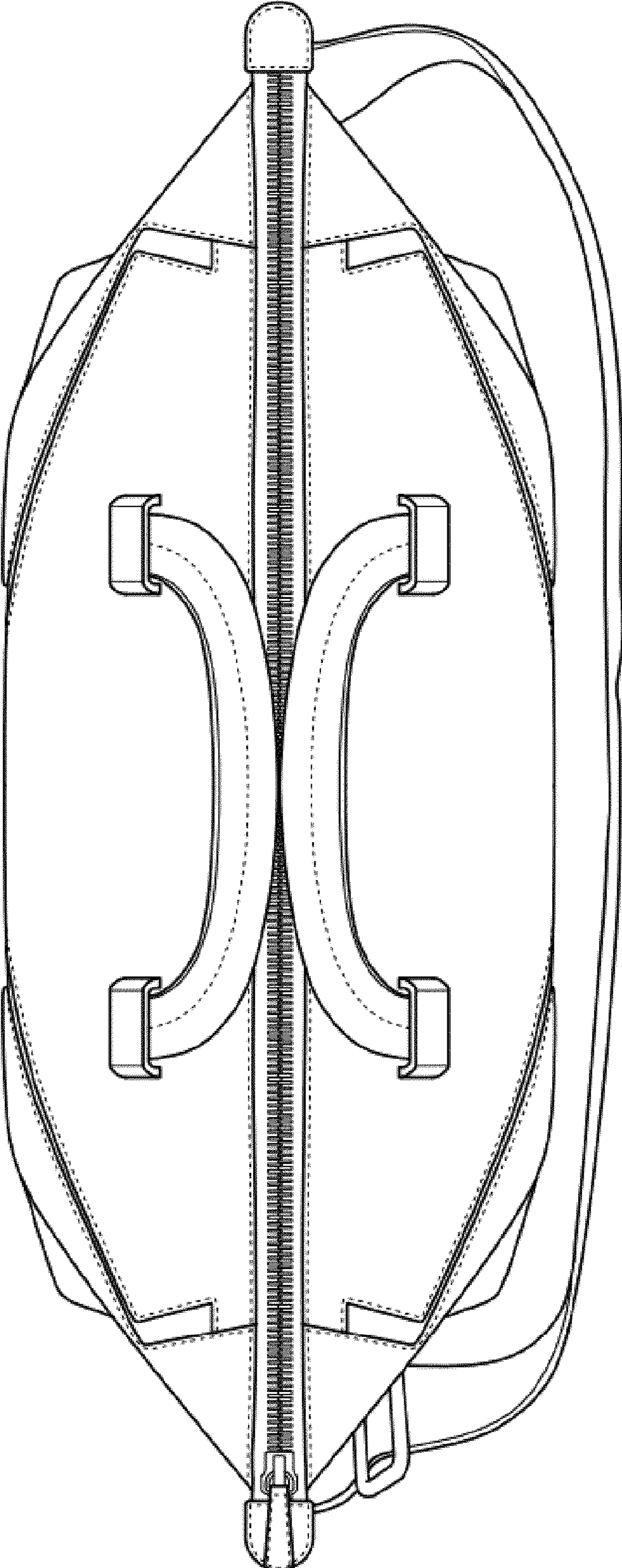


FIG. 4

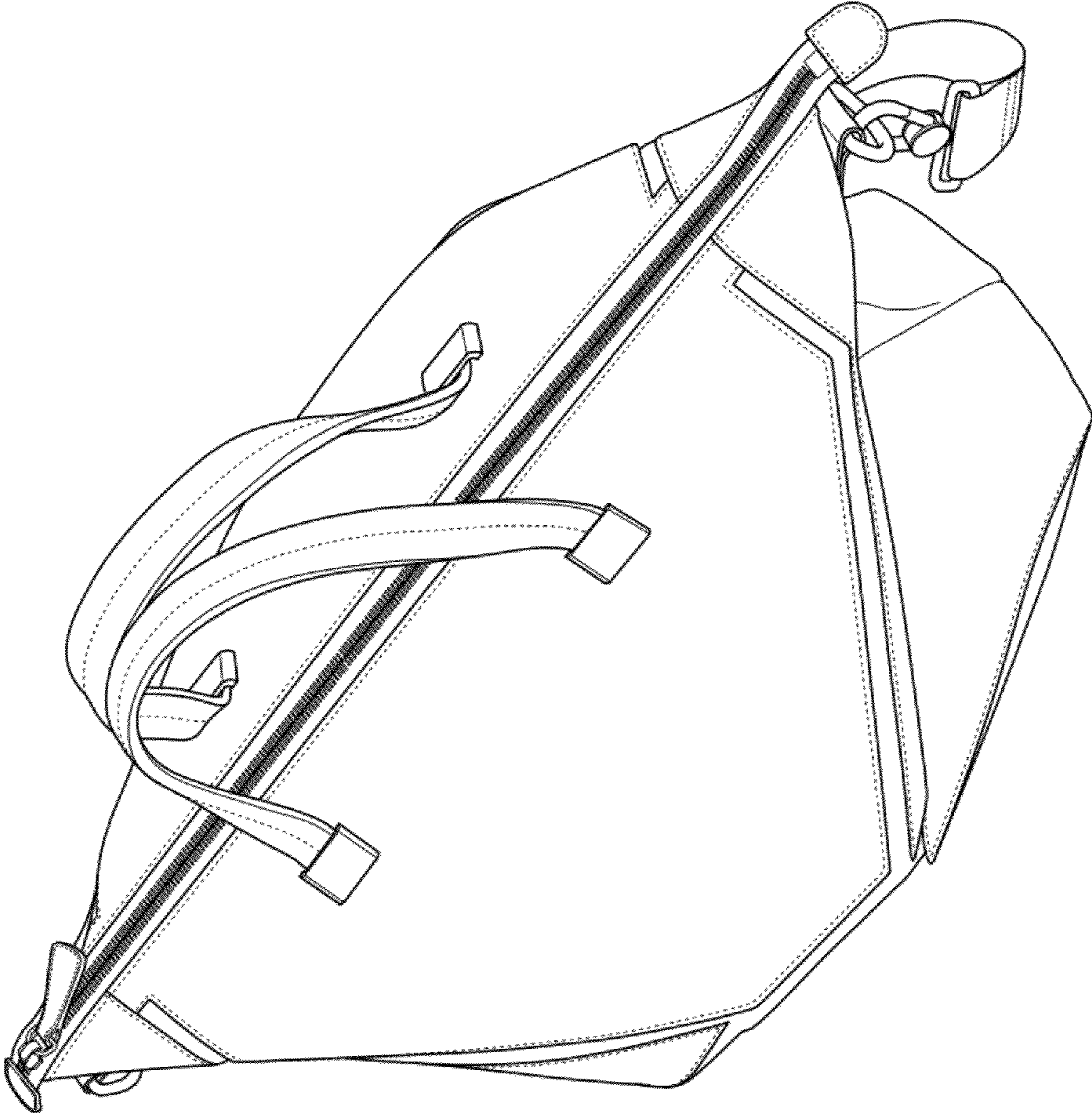


FIG. 5



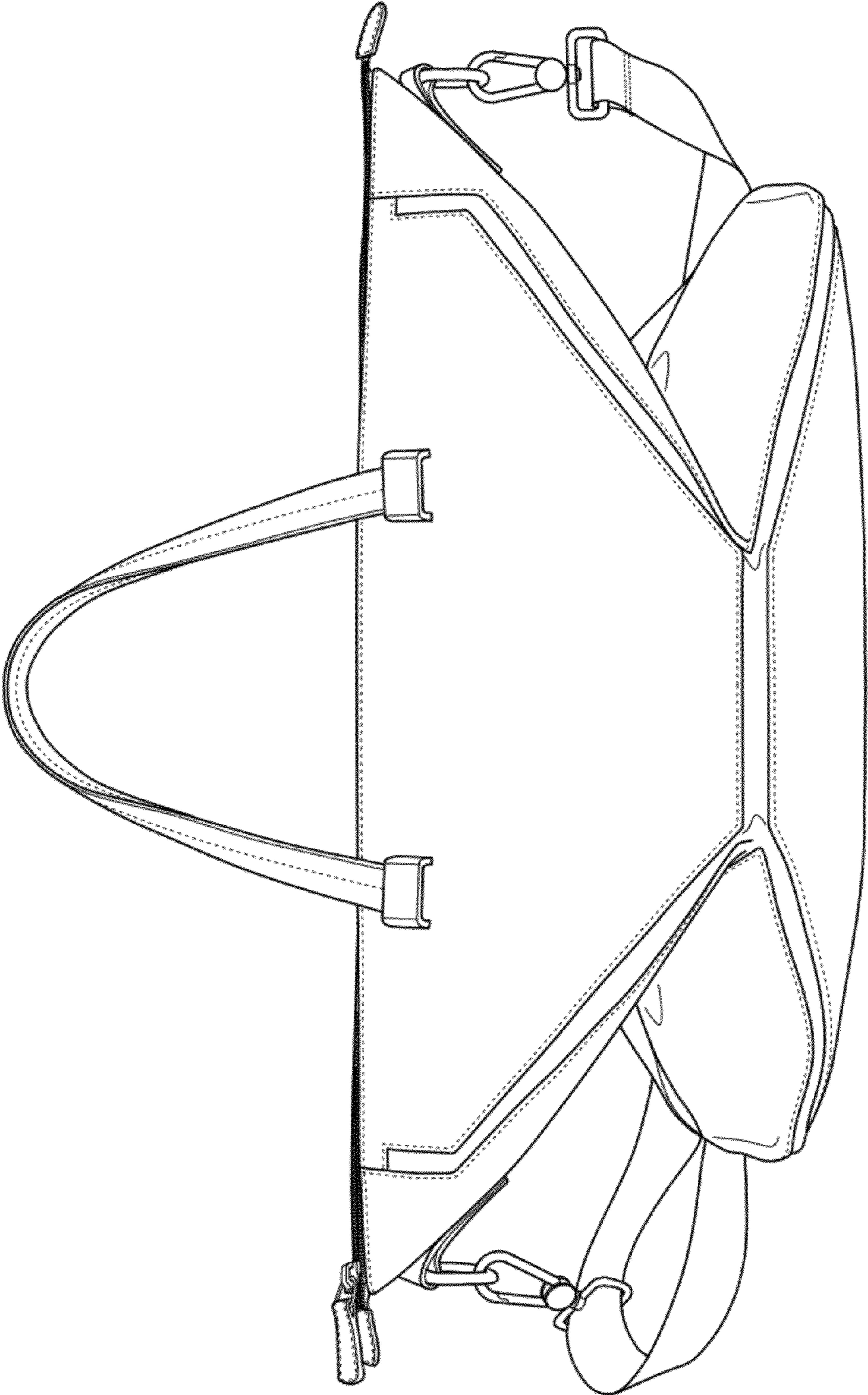


FIG. 6

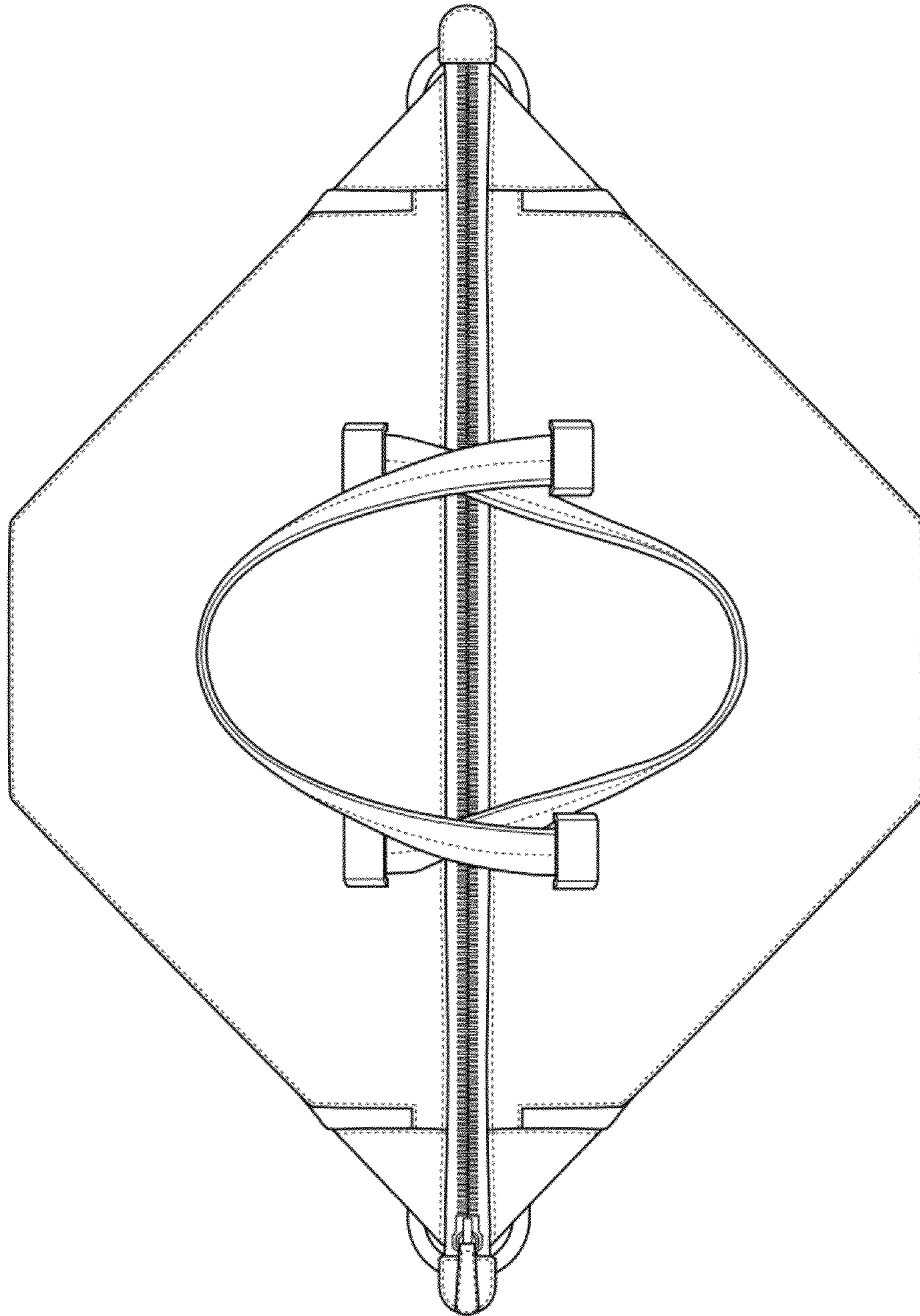


FIG. 7



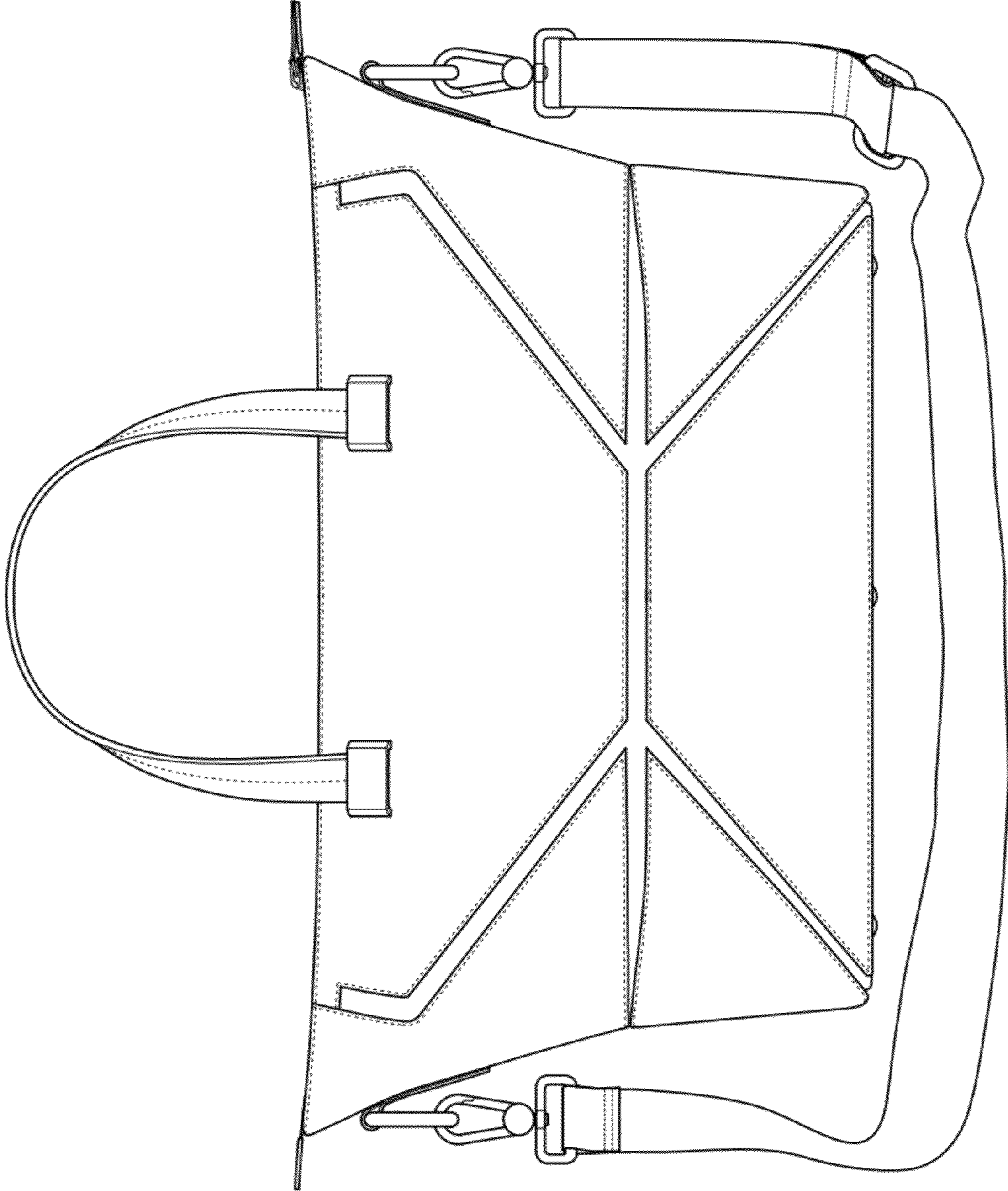


FIG. 8

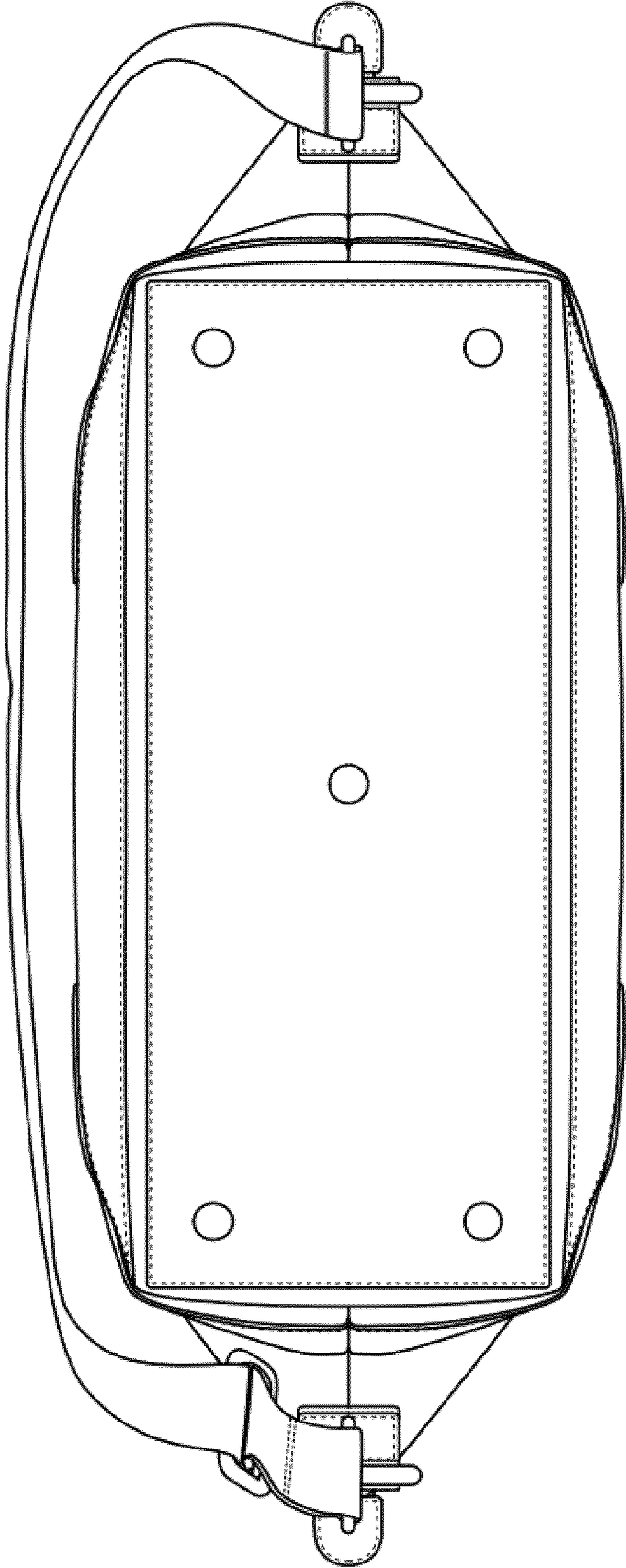


FIG. 10