



US00D727017S

(12) **United States Design Patent**
Aberg et al.

(10) **Patent No.:** **US D727,017 S**
(45) **Date of Patent:** **** Apr. 21, 2015**

(54) **DUFFEL BAG**

(71) Applicant: **Thule IP AB**, Malmo (SE)

(72) Inventors: **Frida Aberg**, Stockholm (SE); **Joakim Ahlstrom**, Taby (SE); **Emelie Heden**, Stockholm (SE)

(73) Assignee: **Thule IP AB**, Malmo (SE)

(**) Term: **14 Years**

(21) Appl. No.: **29/460,345**

(22) Filed: **Jul. 10, 2013**

(51) **LOC (10) Cl.** **03-01**

(52) **U.S. Cl.**
USPC **D3/231**

(58) **Field of Classification Search**
USPC D3/232–233, 240–243, 245, 246, 321;
150/100, 103–110, 113–114, 117–119
See application file for complete search history.

(56) **References Cited**

U.S. PATENT DOCUMENTS

4,830,154 A * 5/1989 Gerch et al. 190/103
D317,081 S * 5/1991 King D3/287
D420,794 S * 2/2000 Kohlhase D3/246

D509,959 S * 9/2005 Nykoluk D3/289

* cited by examiner

Primary Examiner — Holly Baynham

(74) *Attorney, Agent, or Firm* — Sheridan Ross P.C.

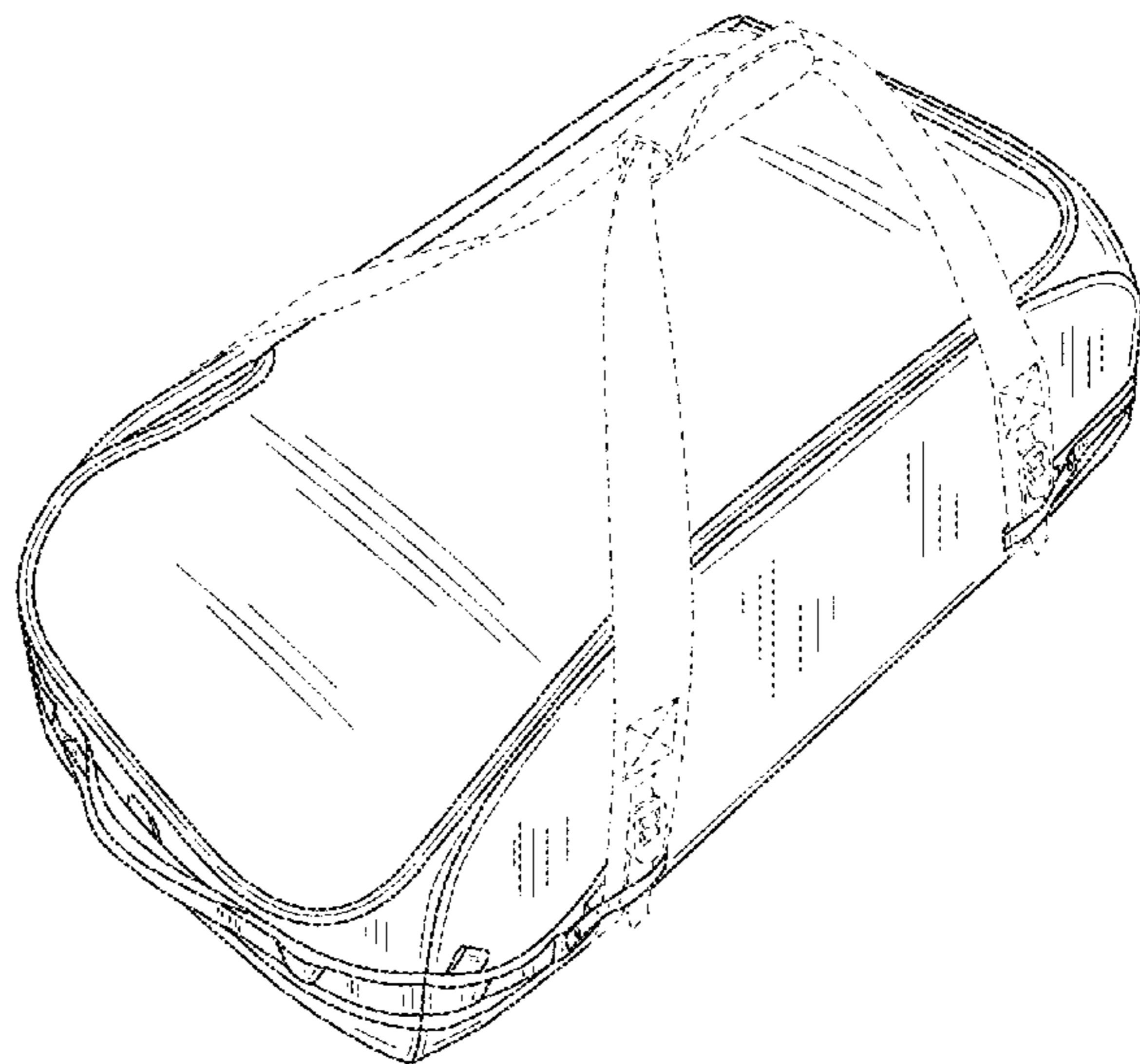
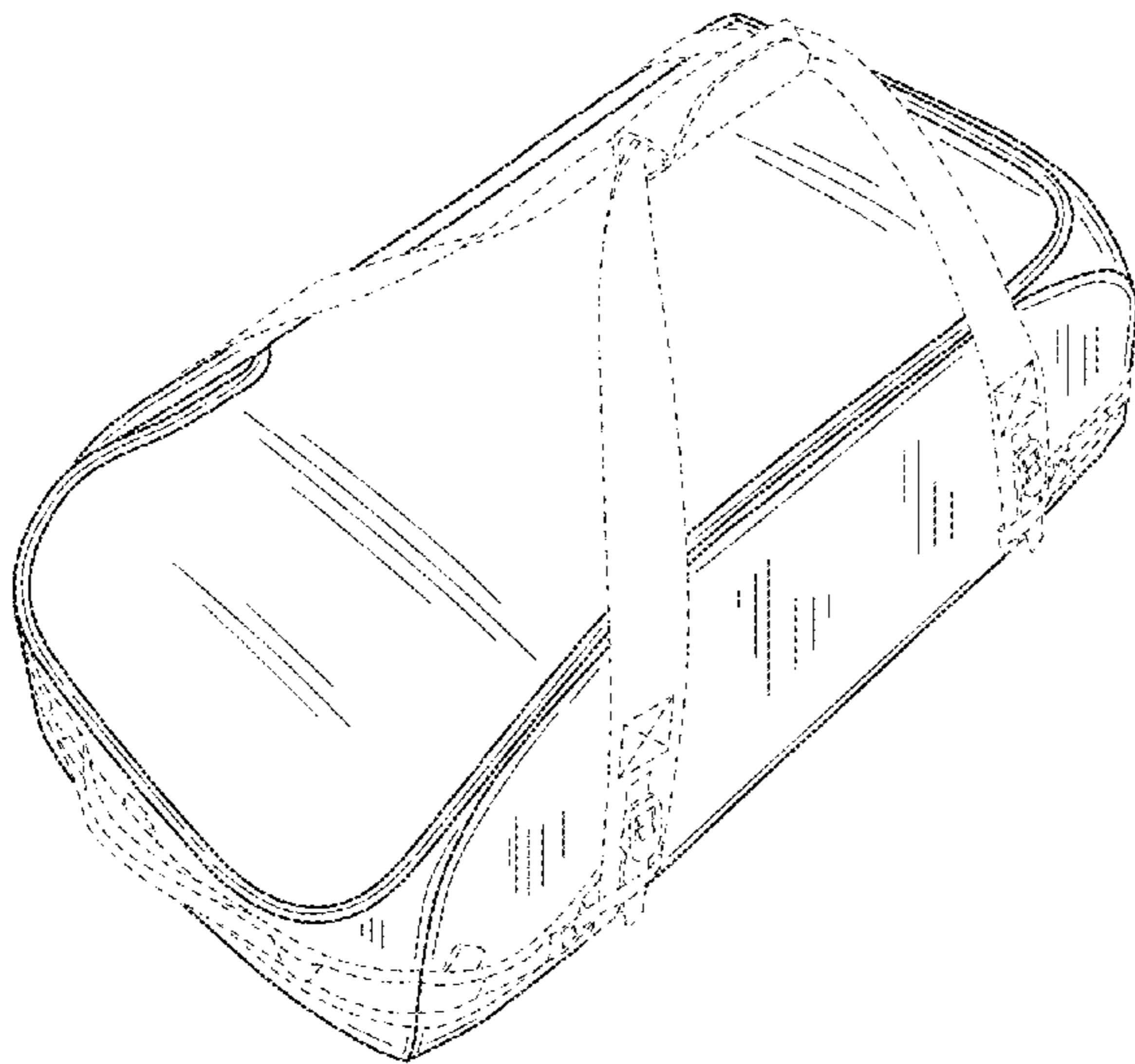
(57) **CLAIM**

The ornamental design for a duffel bag, as shown and described.

DESCRIPTION

FIG. 1 is a front perspective view of the duffel bag;
FIG. 2 is a front elevation view thereof;
FIG. 3 is a rear elevation view thereof;
FIG. 4 is a right elevation view thereof;
FIG. 5 is a left elevation view thereof;
FIG. 6 is a top plan view thereof;
FIG. 7 is a bottom plan view thereof;
FIG. 8 is a front perspective view of the duffel bag according to an alternative embodiment;
FIG. 9 is a front elevation view of the embodiment of FIG. 8;
FIG. 10 is a rear elevation view of the embodiment of FIG. 8;
FIG. 11 is a right elevation view of the embodiment of FIG. 8;
FIG. 12 is a left elevation view of the embodiment of FIG. 8;
FIG. 13 is a top plan view of the embodiment of FIG. 8; and,
FIG. 14 is a bottom plan view of the embodiment of FIG. 8.
The broken lines showing handles and piping are for the purposes of illustrating environment and form no part of the claimed design.

1 Claim, 8 Drawing Sheets



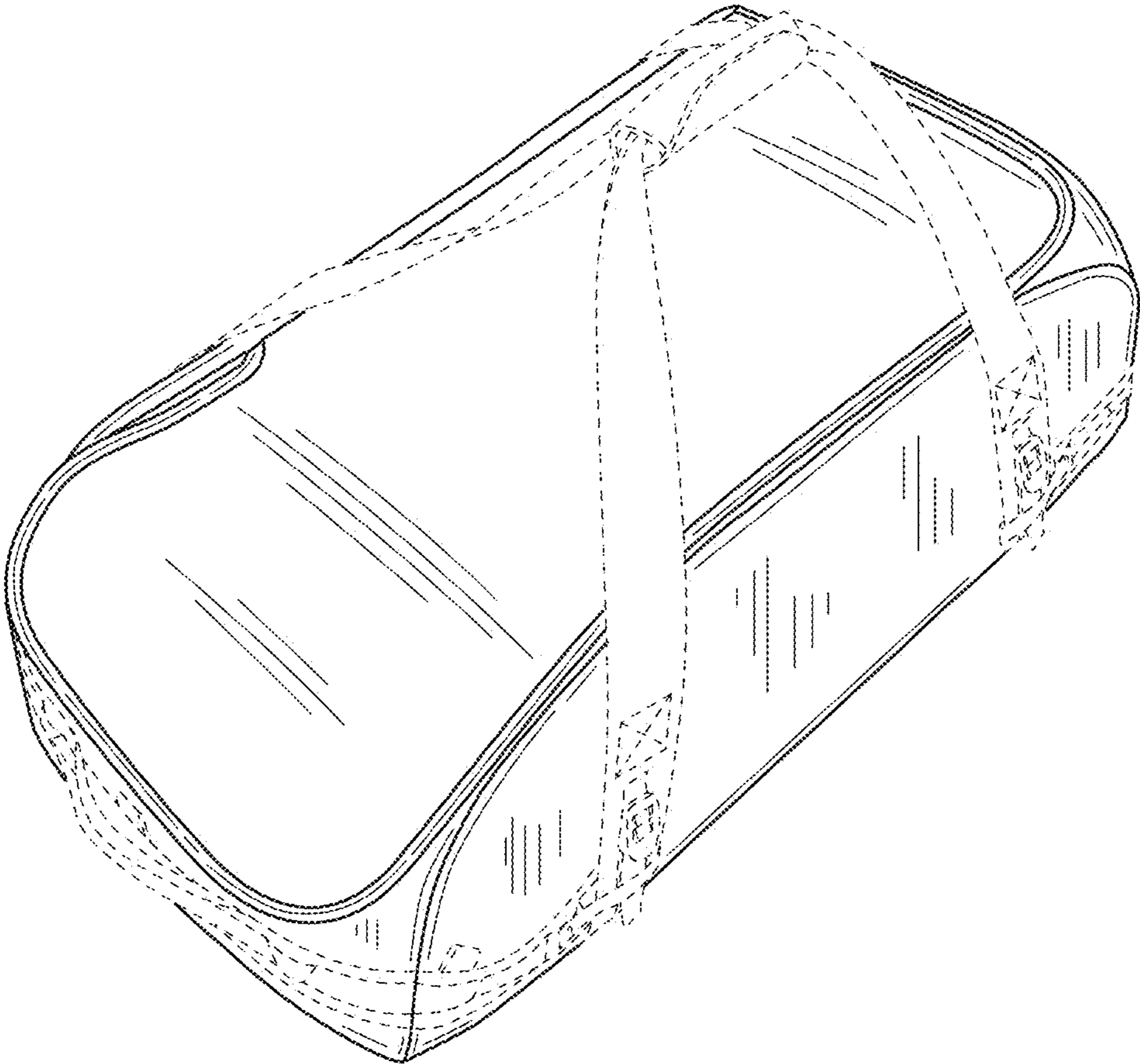


FIG.1

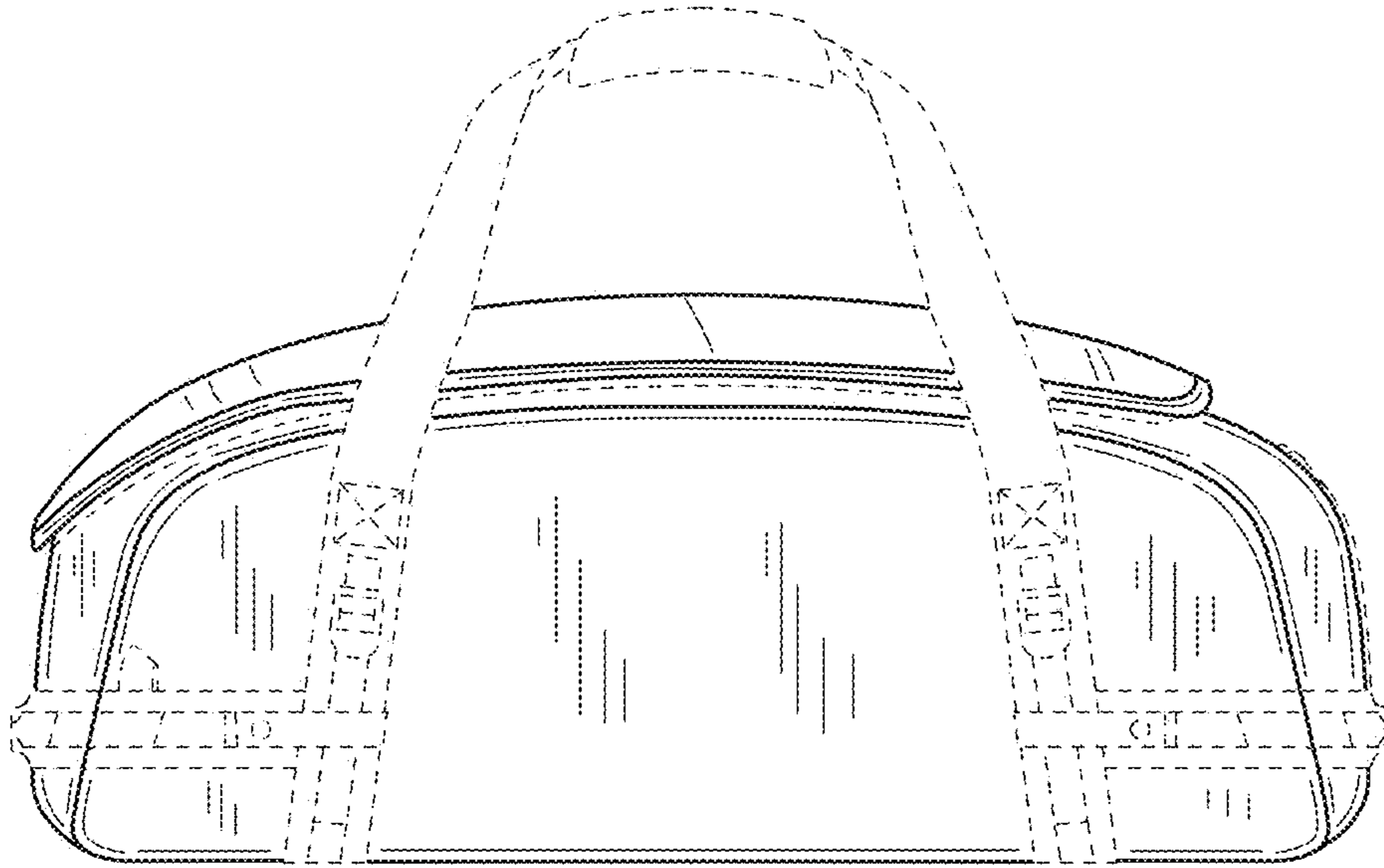


FIG.2

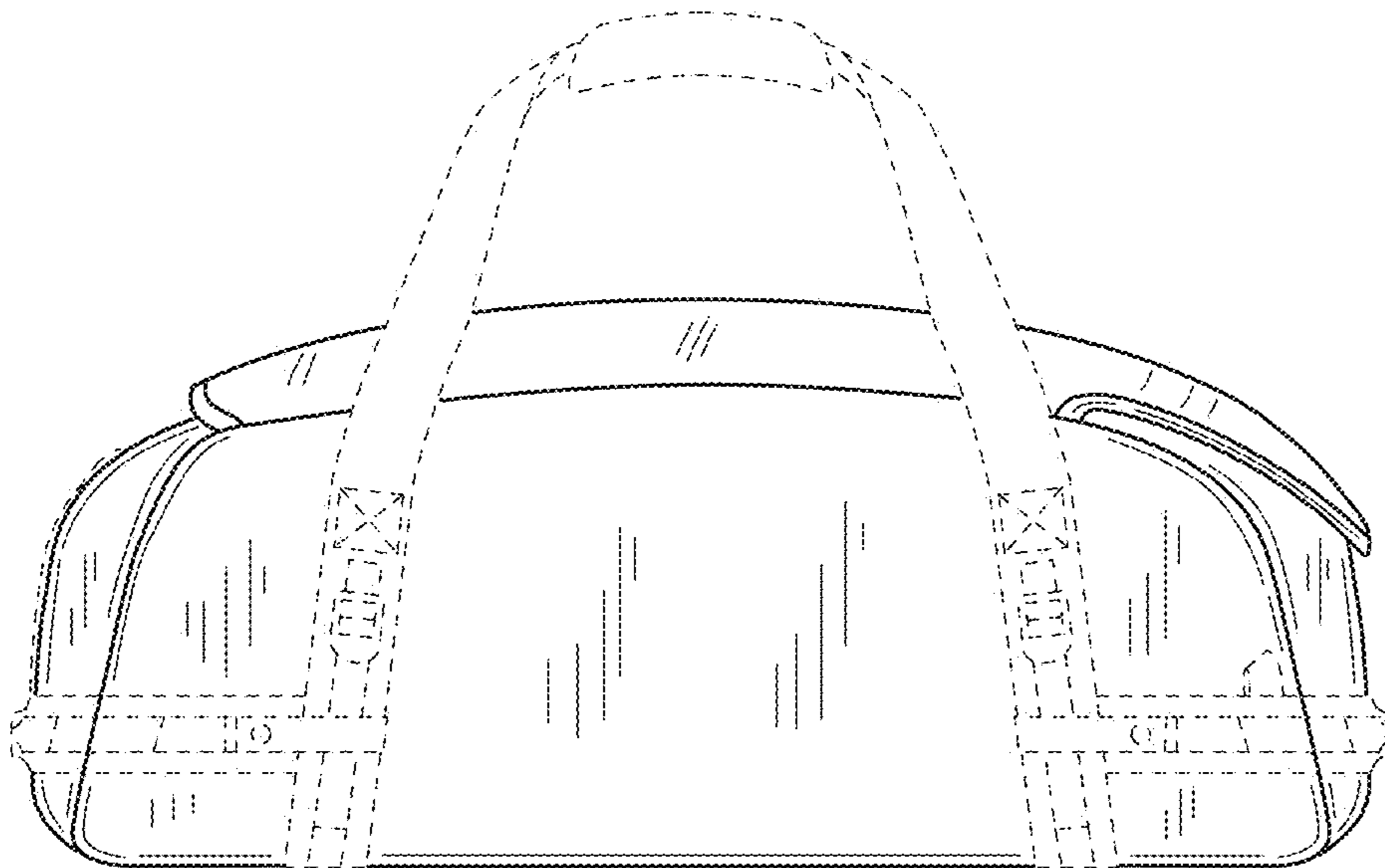


FIG.3

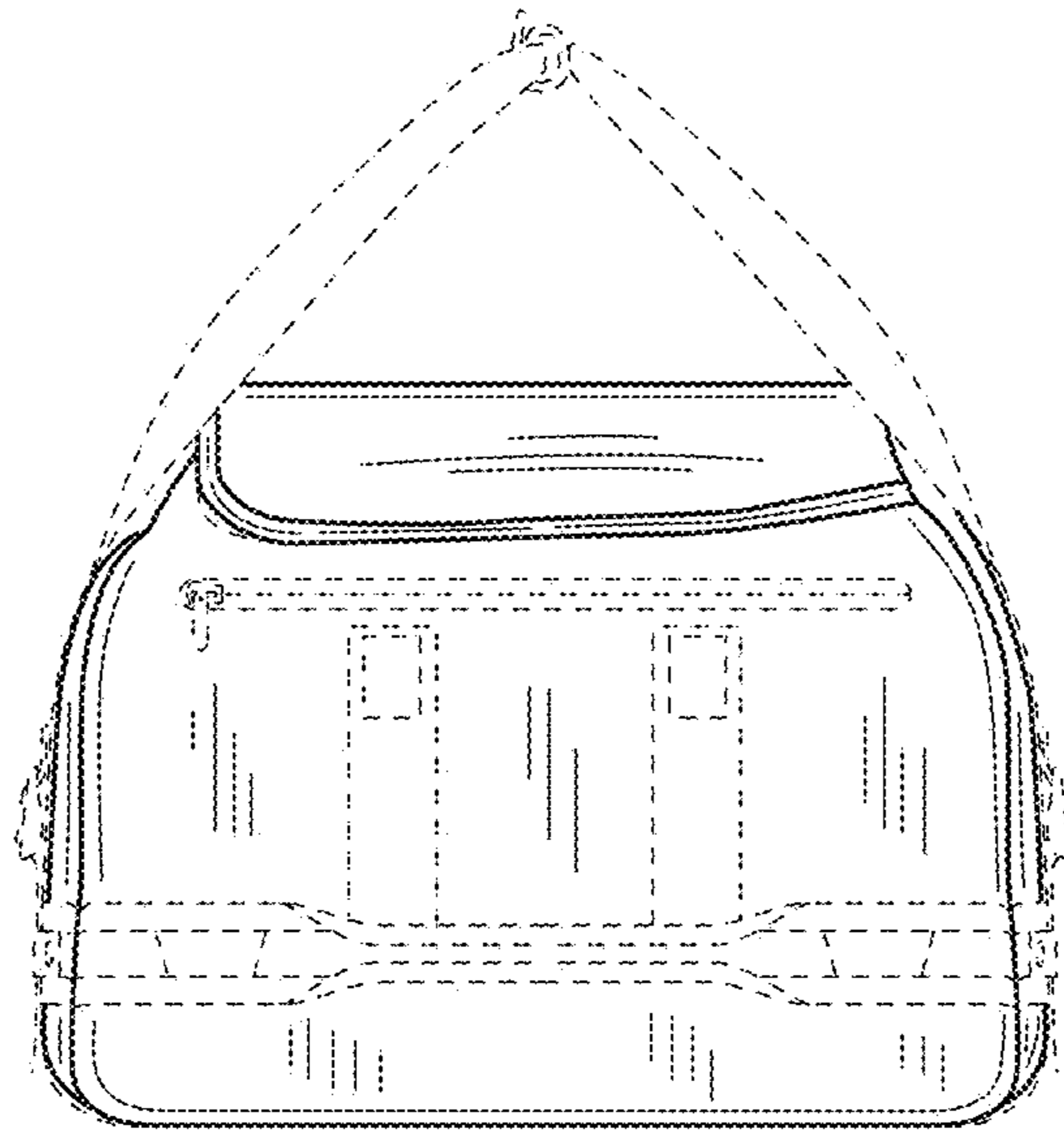


FIG.4

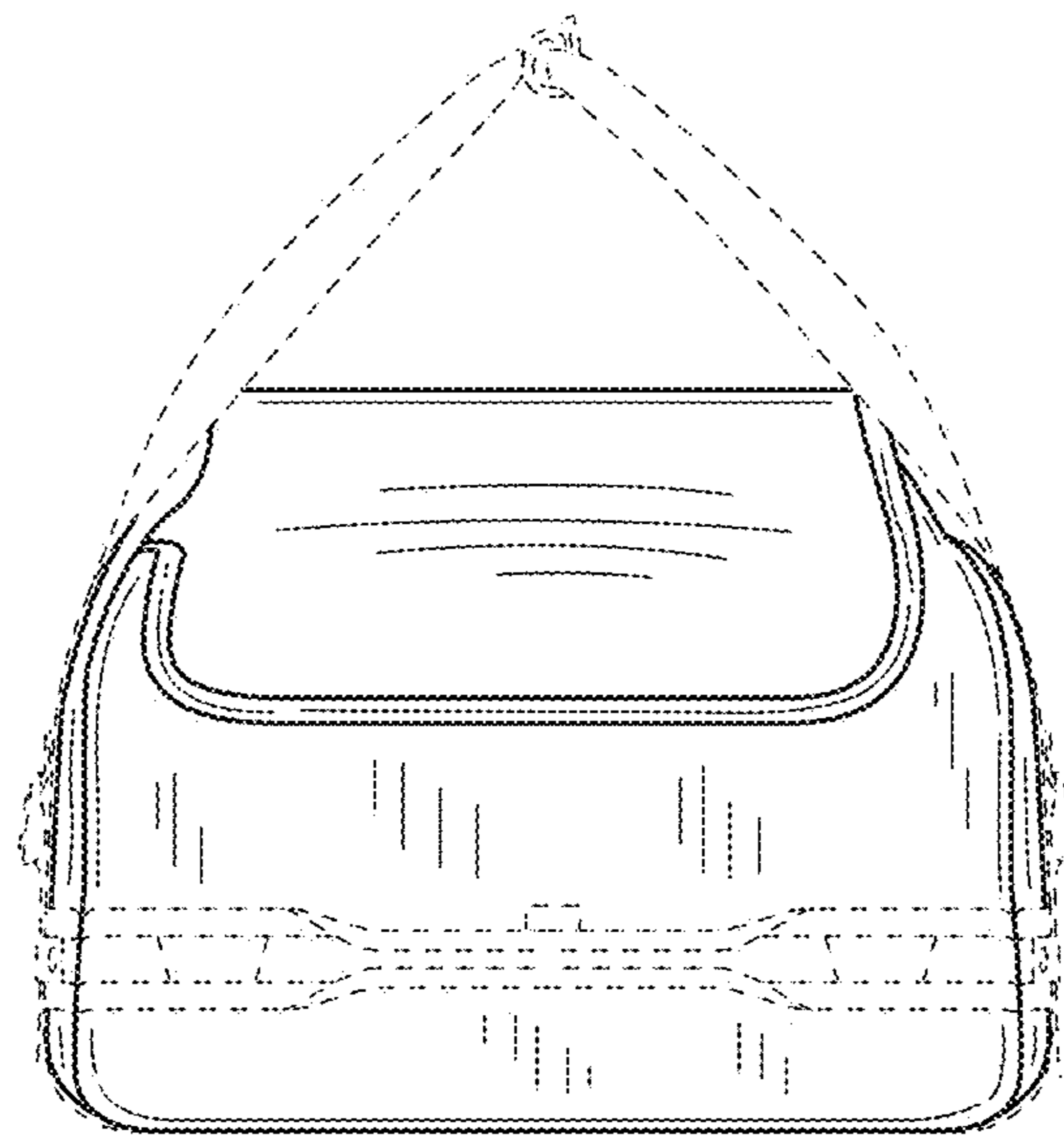


FIG.5

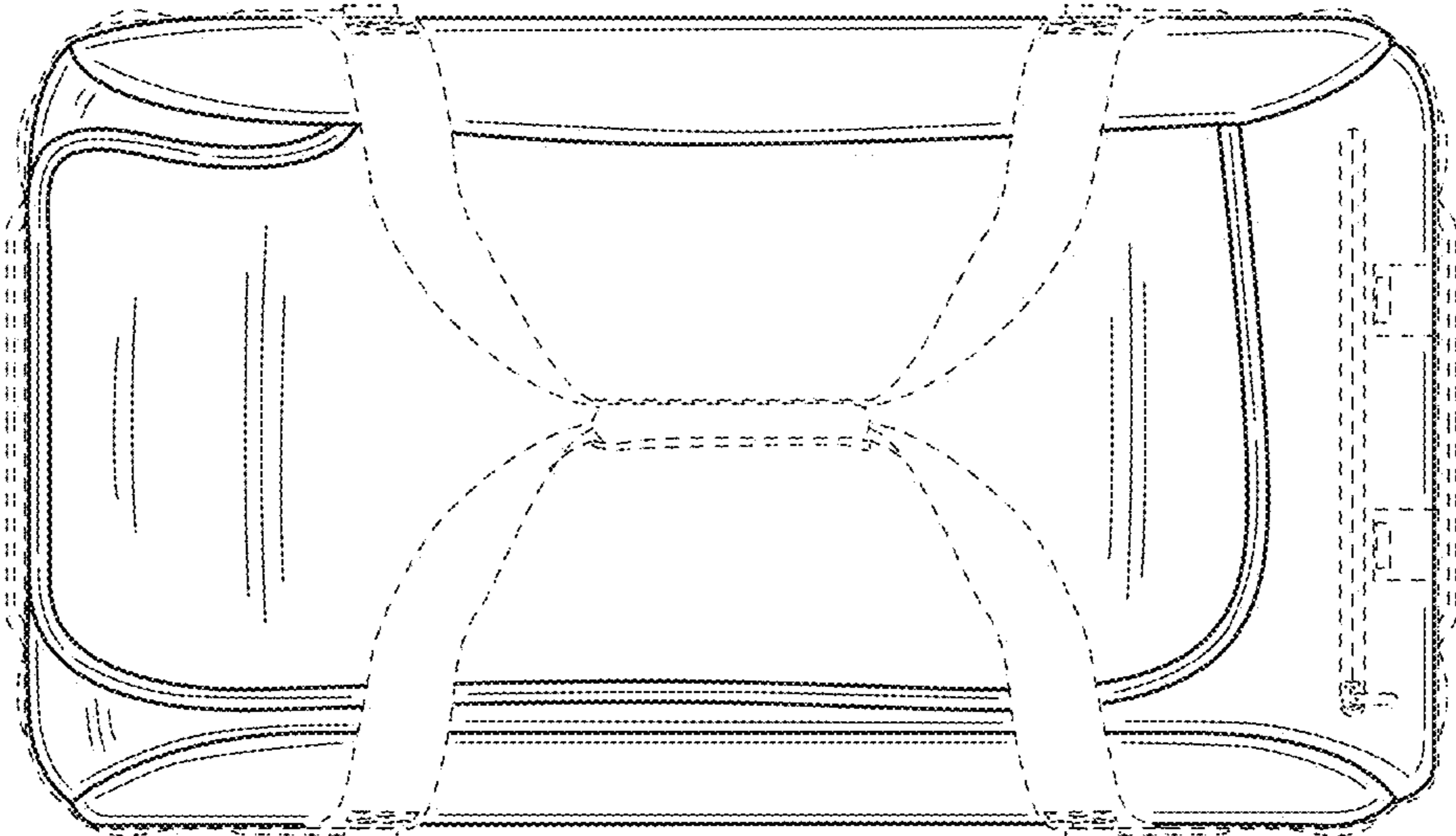


FIG. 6

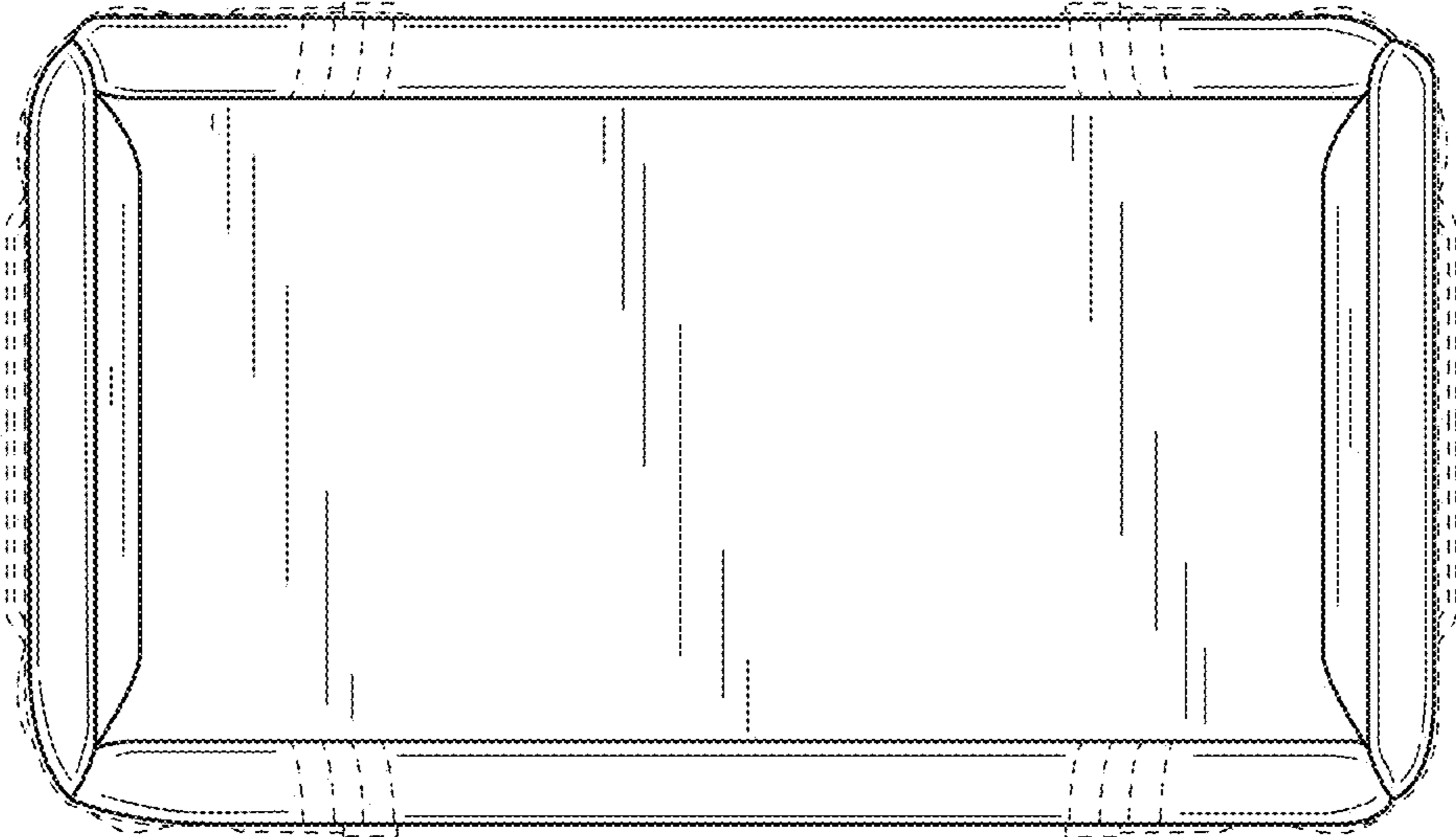


FIG. 7

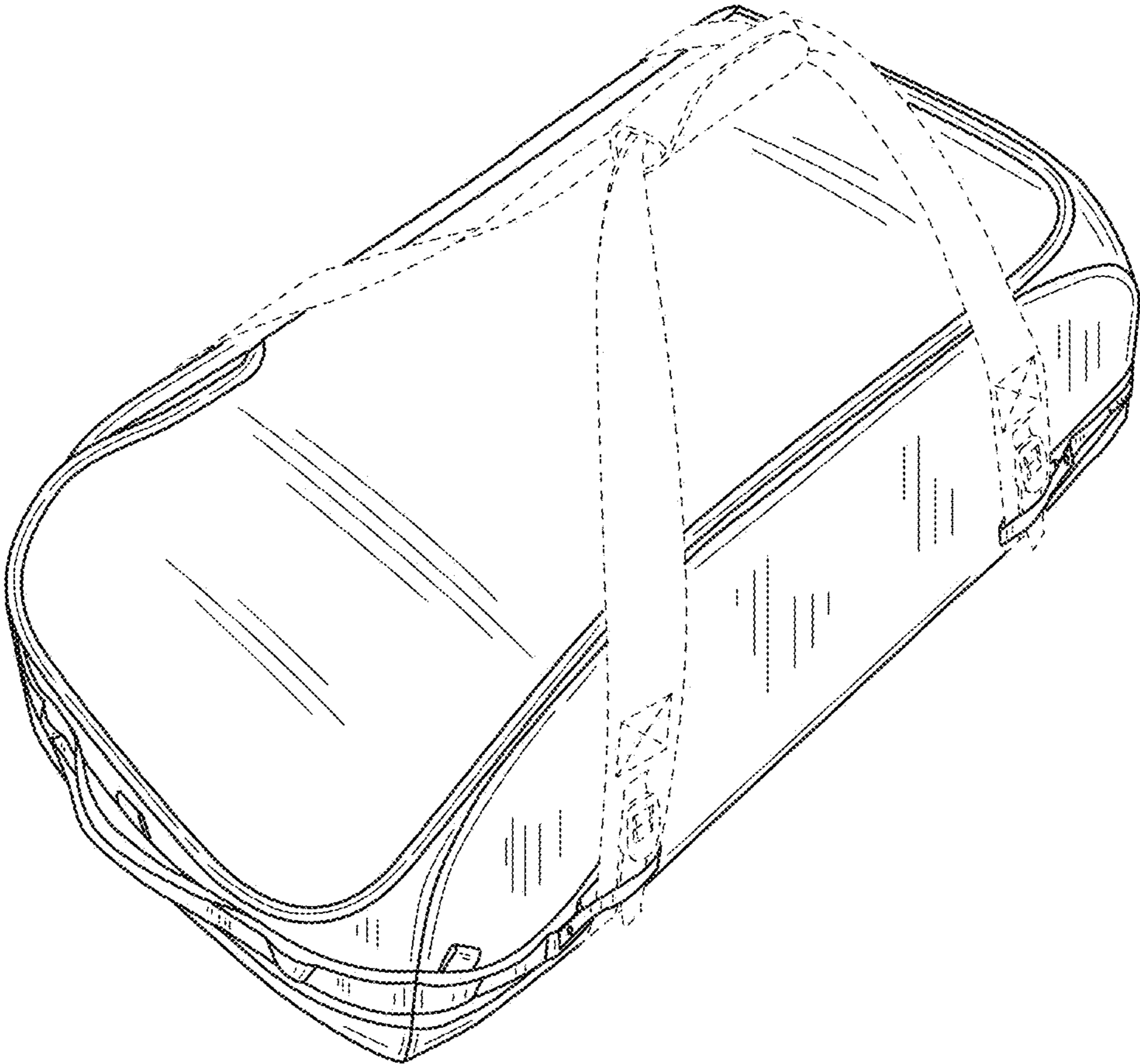


FIG.8

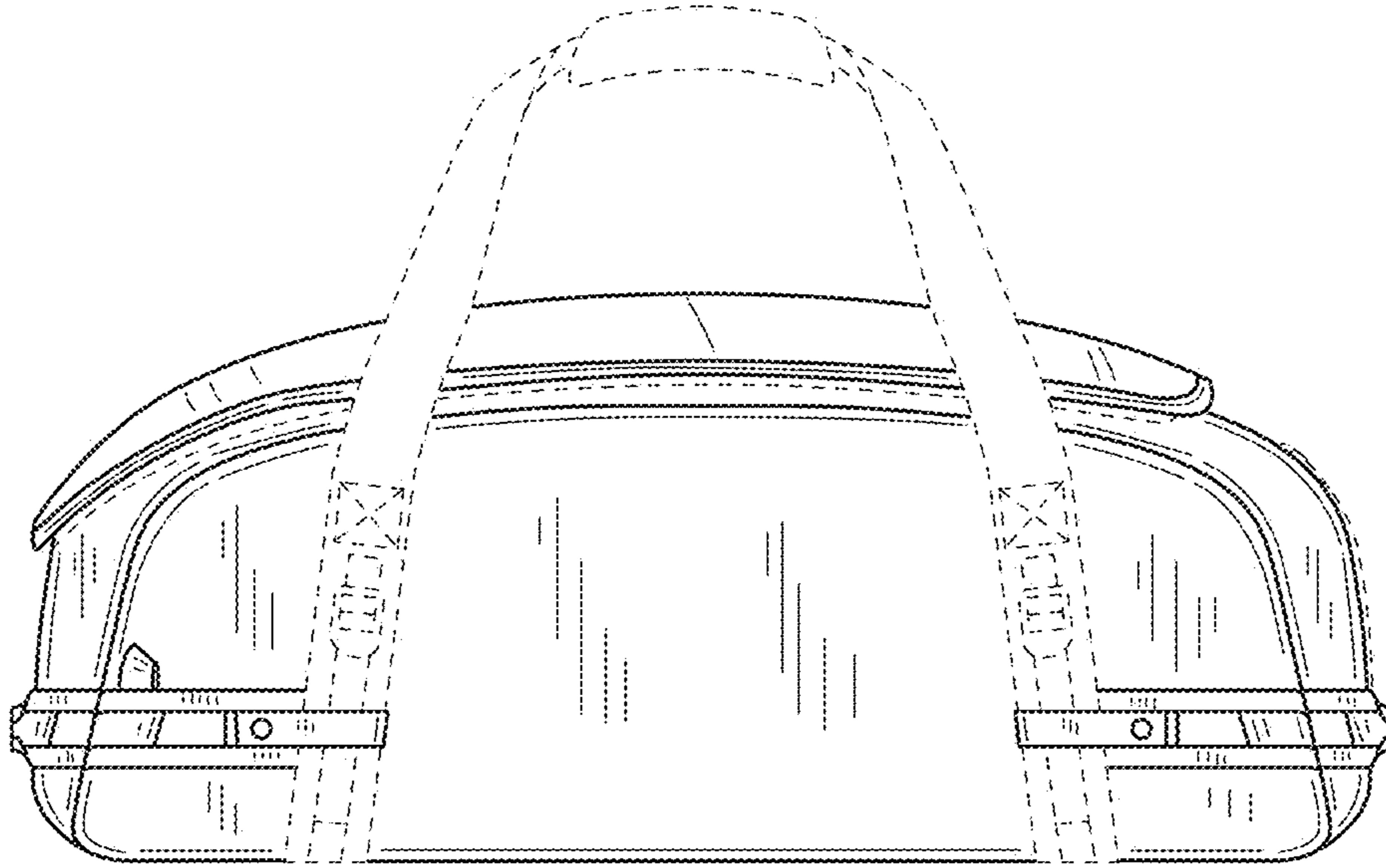


FIG. 9

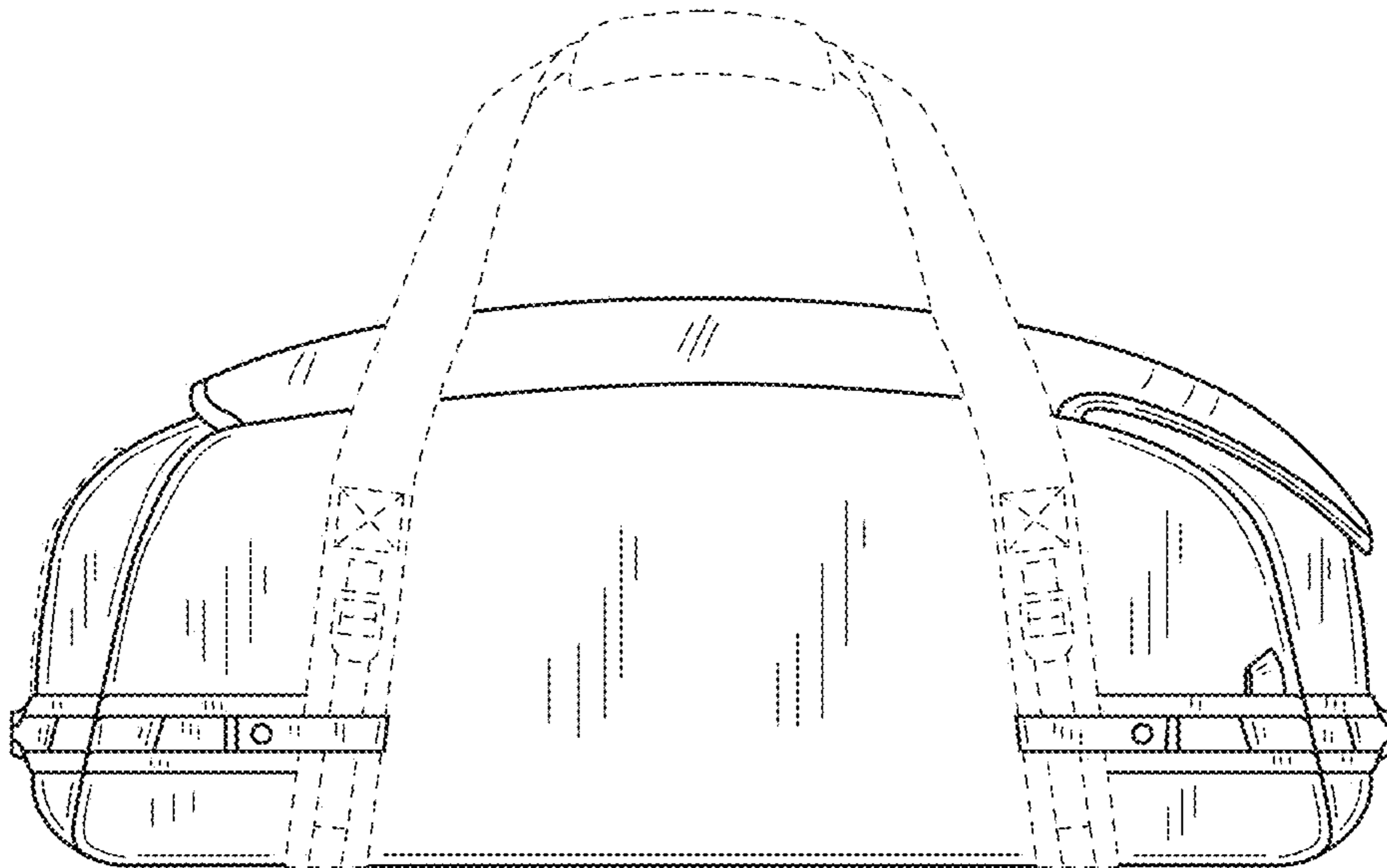


FIG. 10

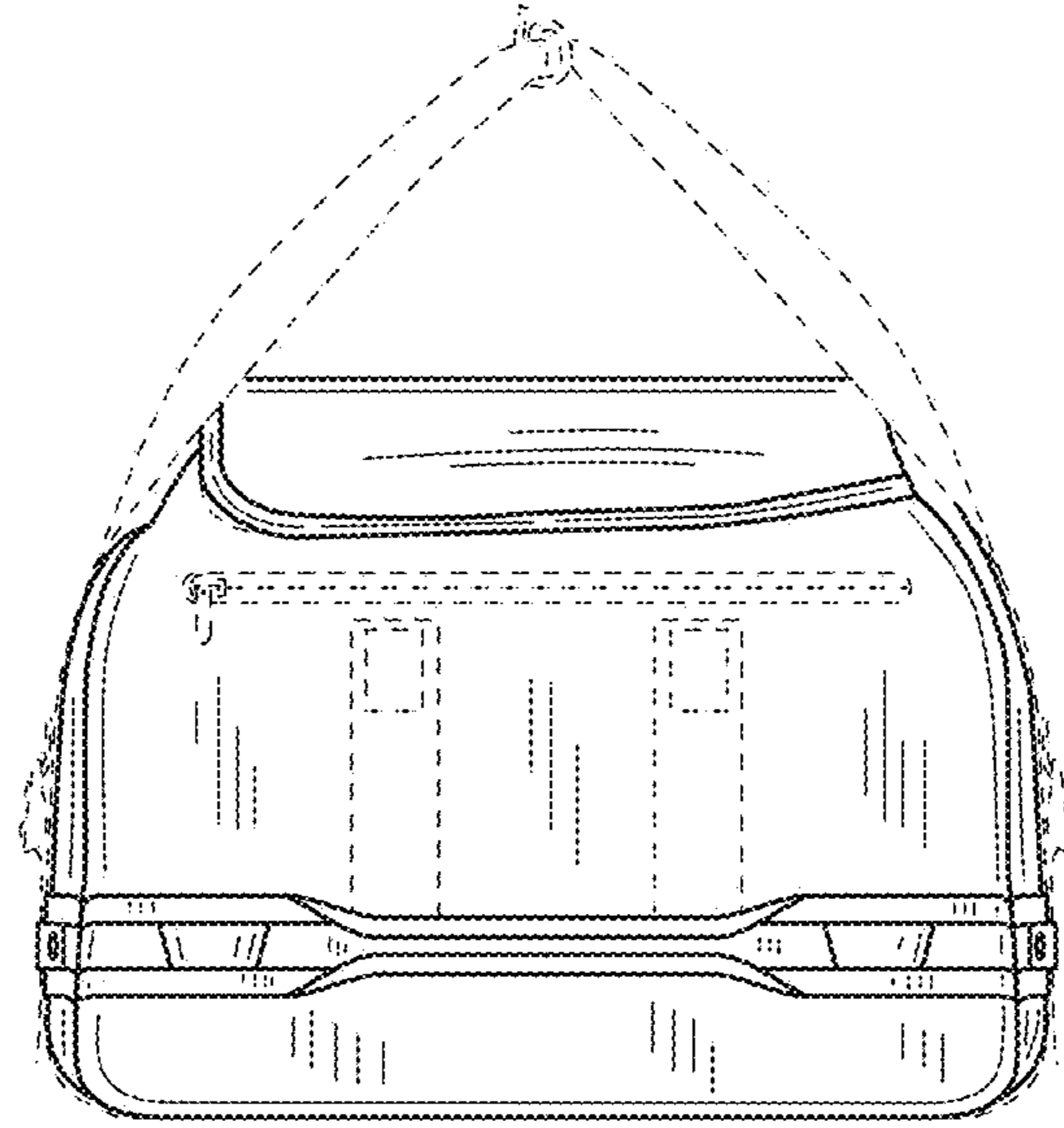


FIG. 11

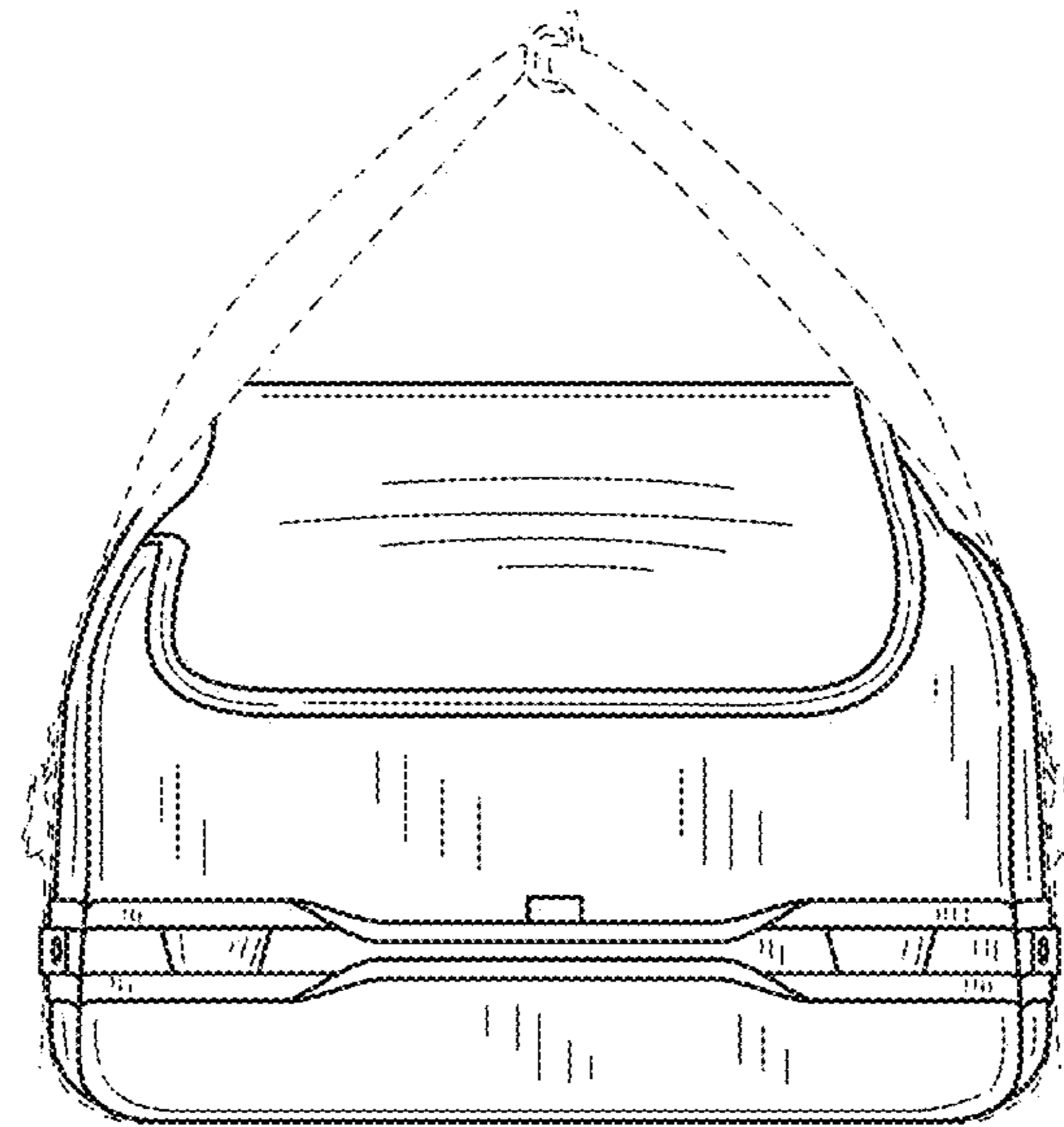


FIG. 12

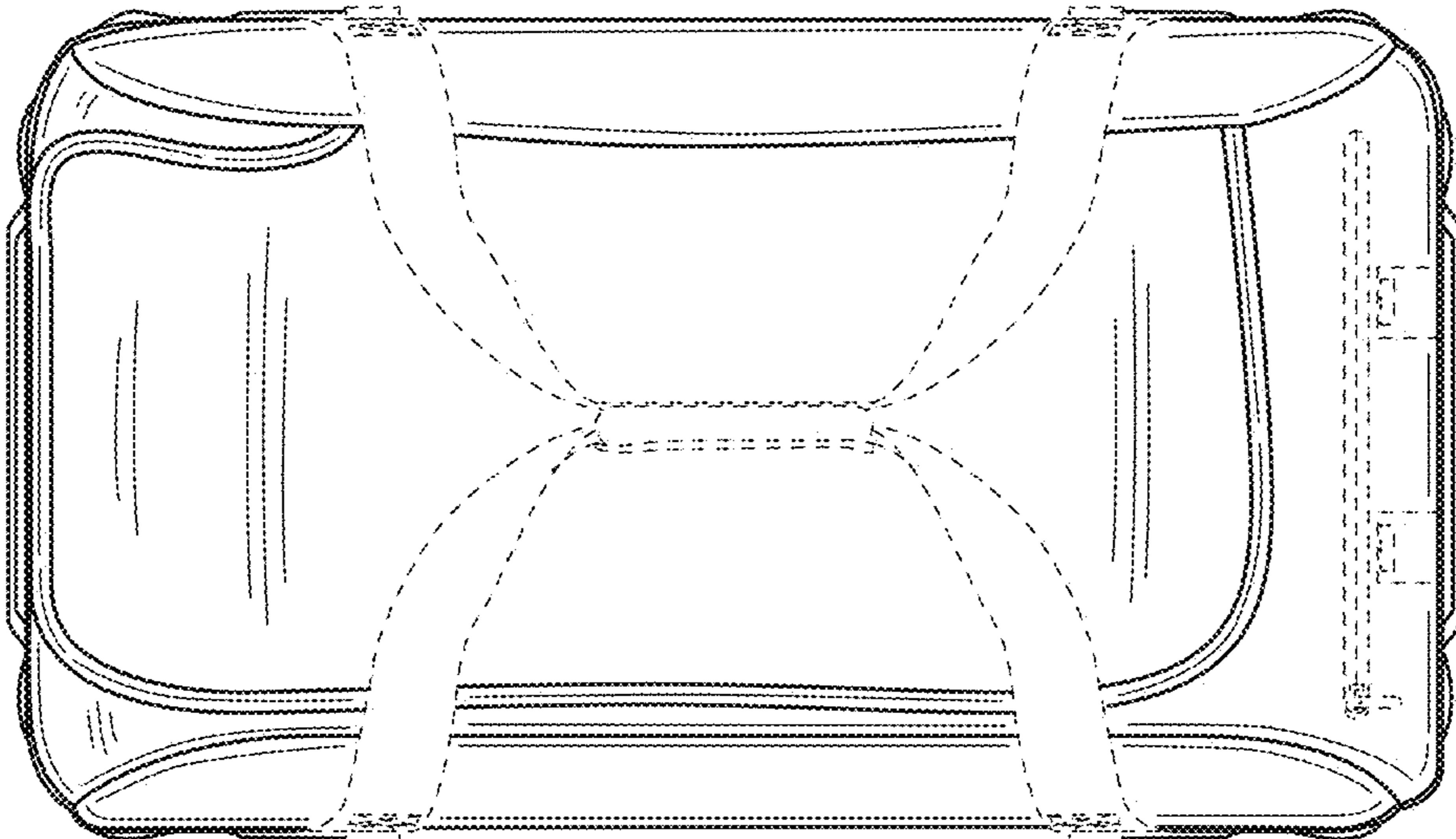


FIG. 13

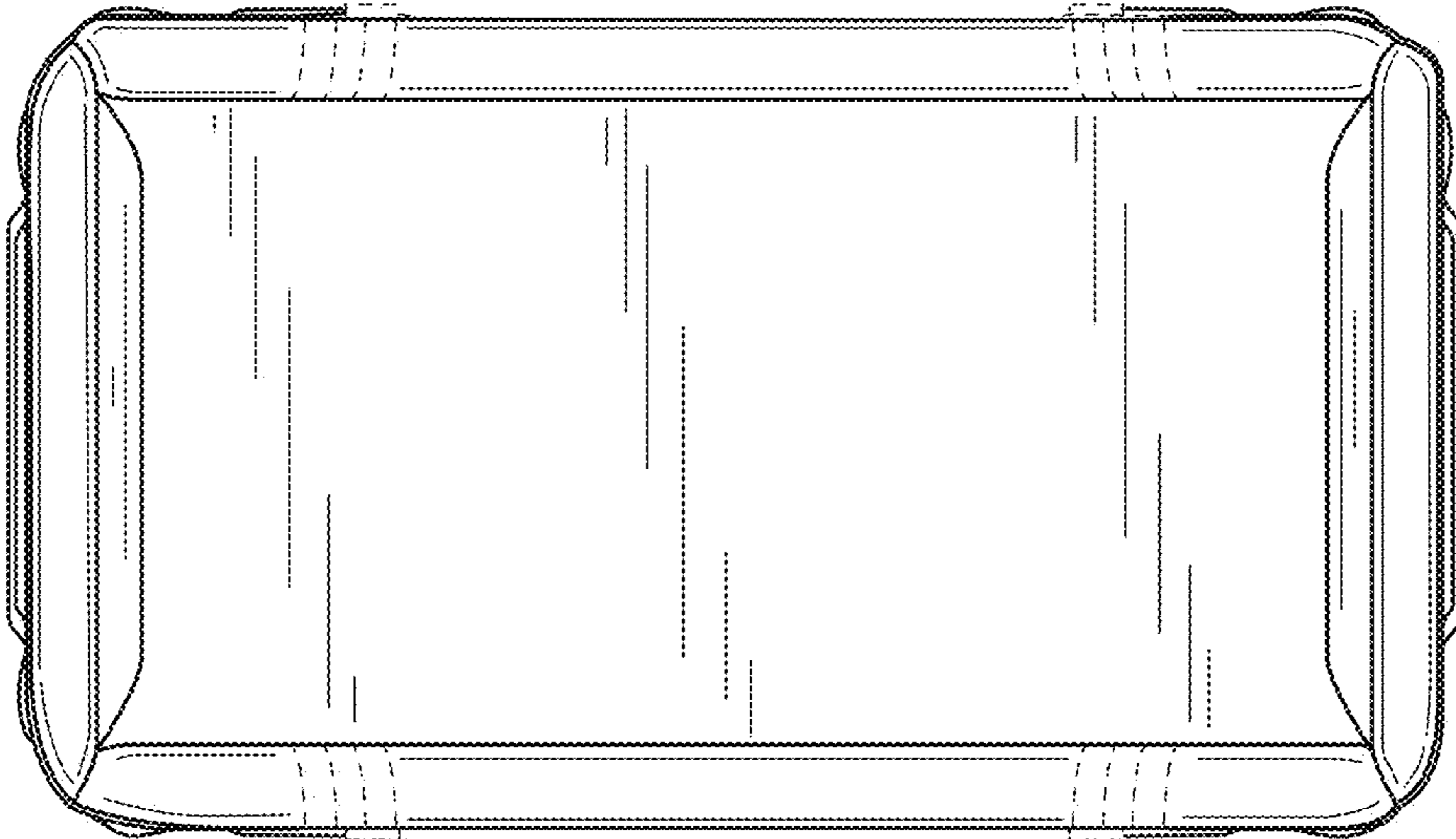


FIG. 14