



US00D727013S

(12) **United States Design Patent**  
**De Anhaya et al.**

(10) **Patent No.:** **US D727,013 S**  
(45) **Date of Patent:** **\*\* Apr. 21, 2015**

- (54) **CASE**
- (71) Applicant: **Tuper S.A.**, Sao Bento Do Sul (BR)
- (72) Inventors: **Joao Vitor De Anhaya**, Sao Bento Do Sul (BR); **Vanderlei Gonzaga**, Sao Bento Do Sul (BR)
- (73) Assignee: **Tuper S.A.** (BR)
- (\*\*) Term: **14 Years**
- (21) Appl. No.: **29/464,348**
- (22) Filed: **Aug. 15, 2013**
- (30) **Foreign Application Priority Data**  
Feb. 15, 2013 (BR) ..... 3020130006530
- (51) **LOC (10) Cl.** ..... **03-01**
- (52) **U.S. Cl.**  
USPC ..... **D3/205; D28/73**
- (58) **Field of Classification Search**  
CPC ..... A46B 17/04; A45D 44/18; A47K 1/09  
USPC ..... D6/534, 528; D3/201, 205; D4/199;  
D28/73, 76; 206/362.2, 362.3  
See application file for complete search history.

- (56) **References Cited**  
**U.S. PATENT DOCUMENTS**  
1,864,874 A \* 6/1932 Voight ..... 206/362.3  
D143,314 S \* 12/1945 Hart ..... D6/534

- 2,815,057 A \* 12/1957 Tupper ..... 206/362.2
- D193,764 S \* 10/1962 Gyglar ..... D6/534
- D243,156 S \* 1/1977 Fentules ..... D3/205
- D296,728 S \* 7/1988 Nielsen ..... D4/199
- D337,206 S \* 7/1993 Crawford ..... D4/199
- D398,150 S \* 9/1998 Vonarburg ..... D3/205
- D415,917 S \* 11/1999 Salazar et al. .... D6/534
- D484,683 S \* 1/2004 Eldon et al. .... D3/205
- D535,510 S \* 1/2007 Miller ..... D6/534

\* cited by examiner

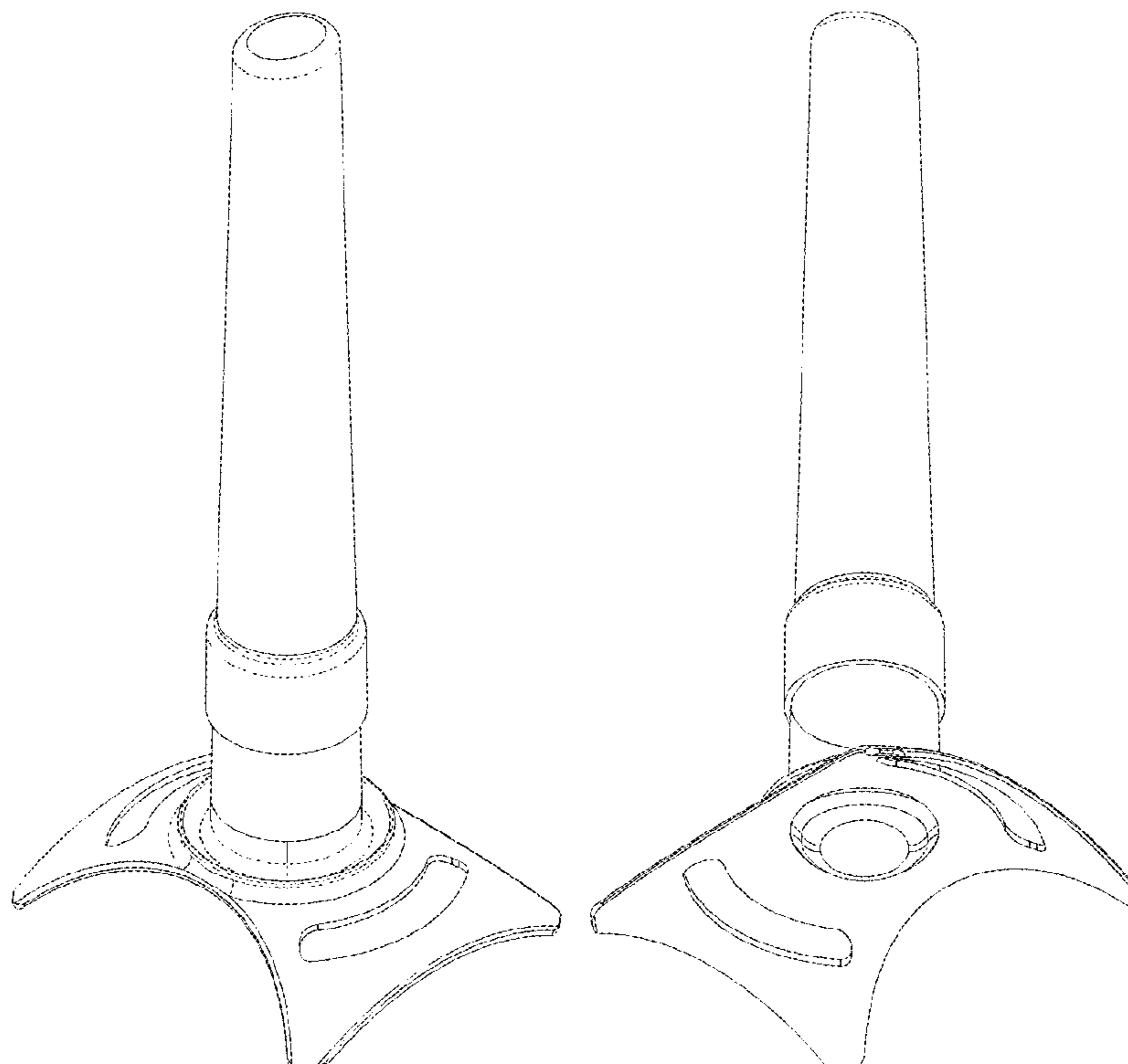
*Primary Examiner* — Brian N Vinson  
(74) *Attorney, Agent, or Firm* — Day Pitney LLP

(57) **CLAIM**  
The ornamental design for a case, as shown.

**DESCRIPTION**

FIG. 1 is a perspective view of the top, front, and right side of a case;  
FIG. 2 is a perspective view of the top, front, and left side thereof;  
FIG. 3 is a front view thereof;  
FIG. 4 is a back view thereof;  
FIG. 5 is a right view thereof;  
FIG. 6 is a left view thereof;  
FIG. 7 is a top view thereof;  
FIG. 8 is a bottom view thereof;  
FIG. 9 is a perspective view of the bottom, front, and right side thereof; and,  
FIG. 10 is a perspective view of the bottom, front, and left side thereof.

**1 Claim, 5 Drawing Sheets**



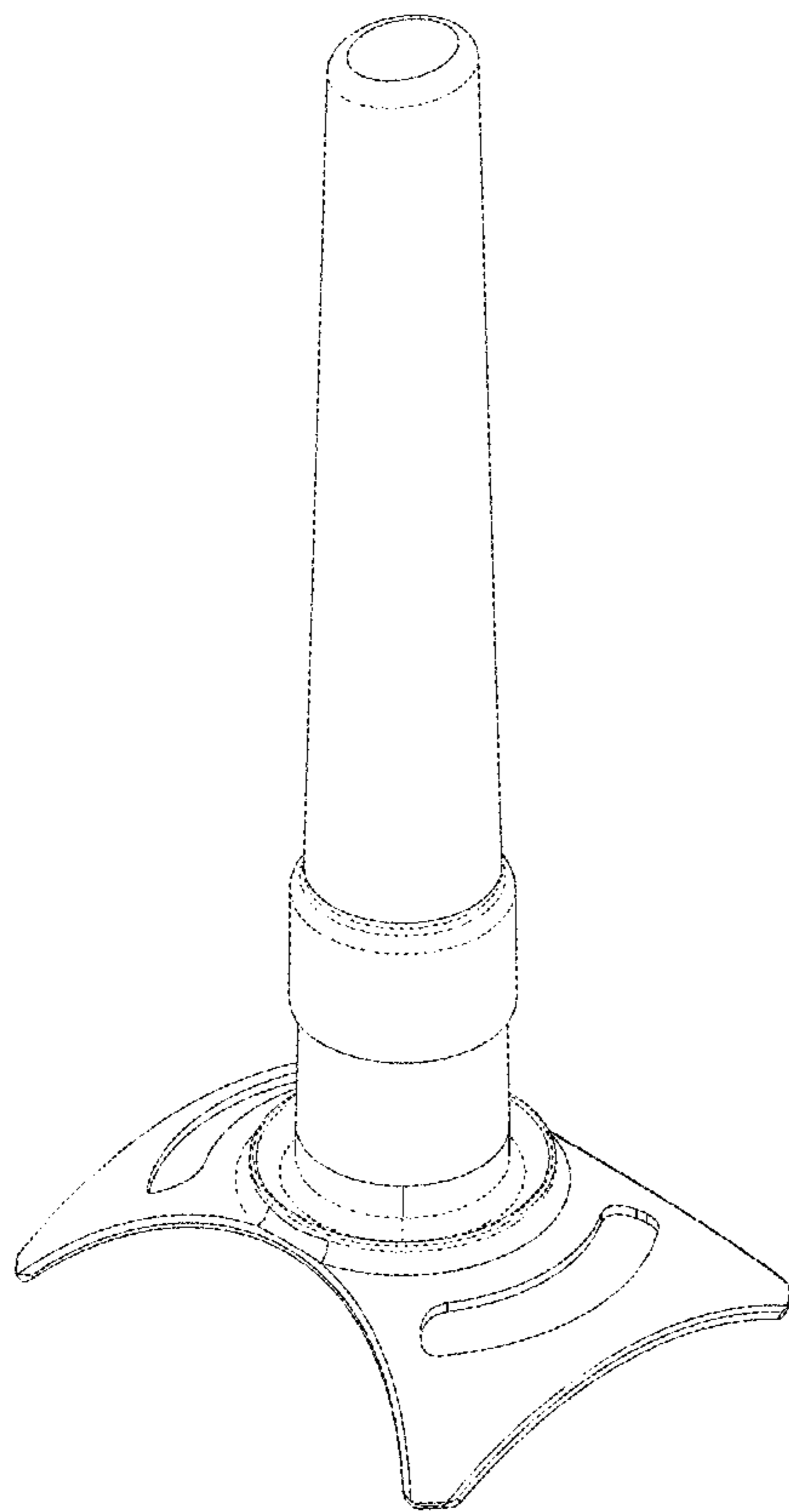


FIG. 1

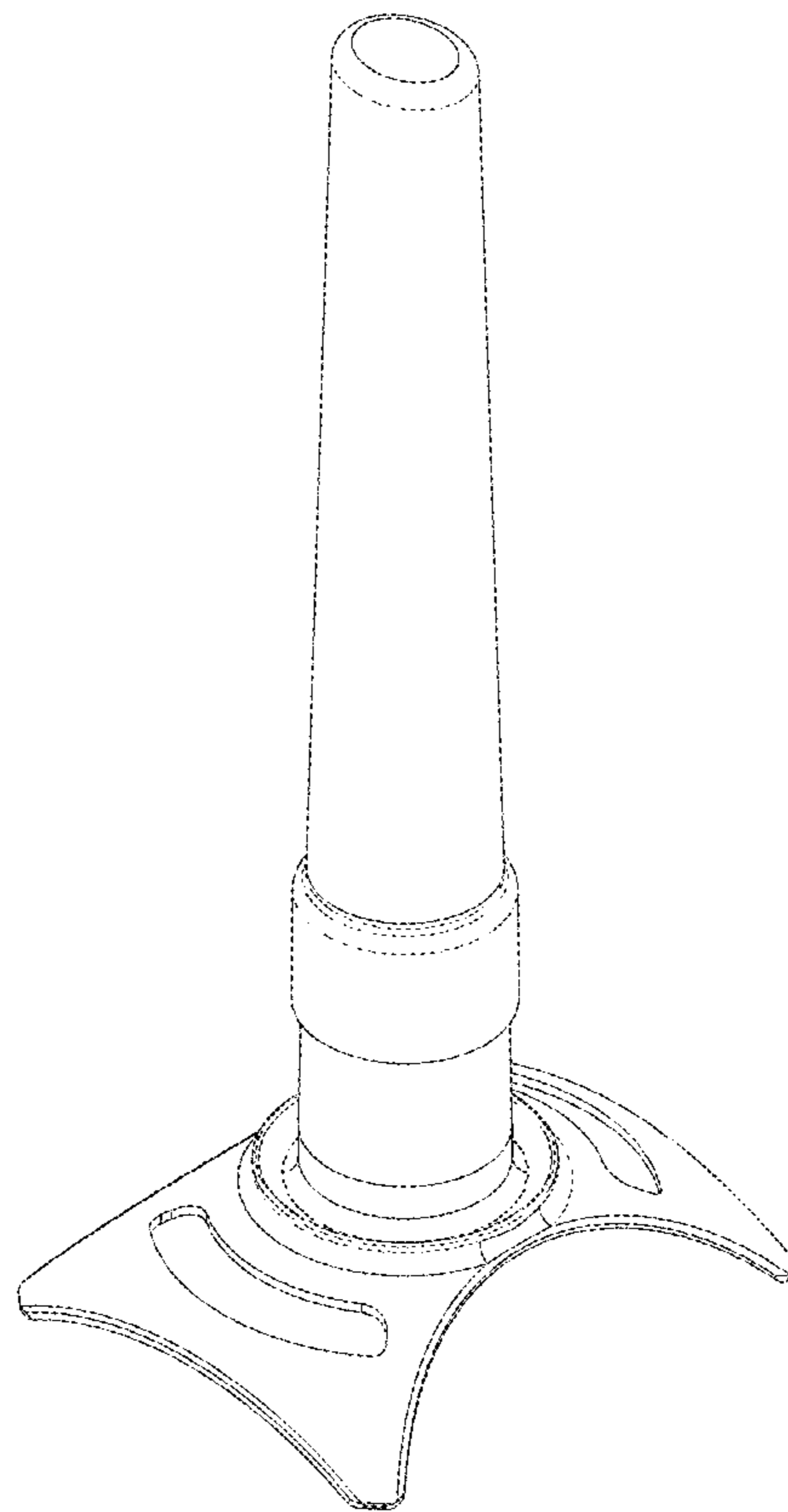


FIG. 2

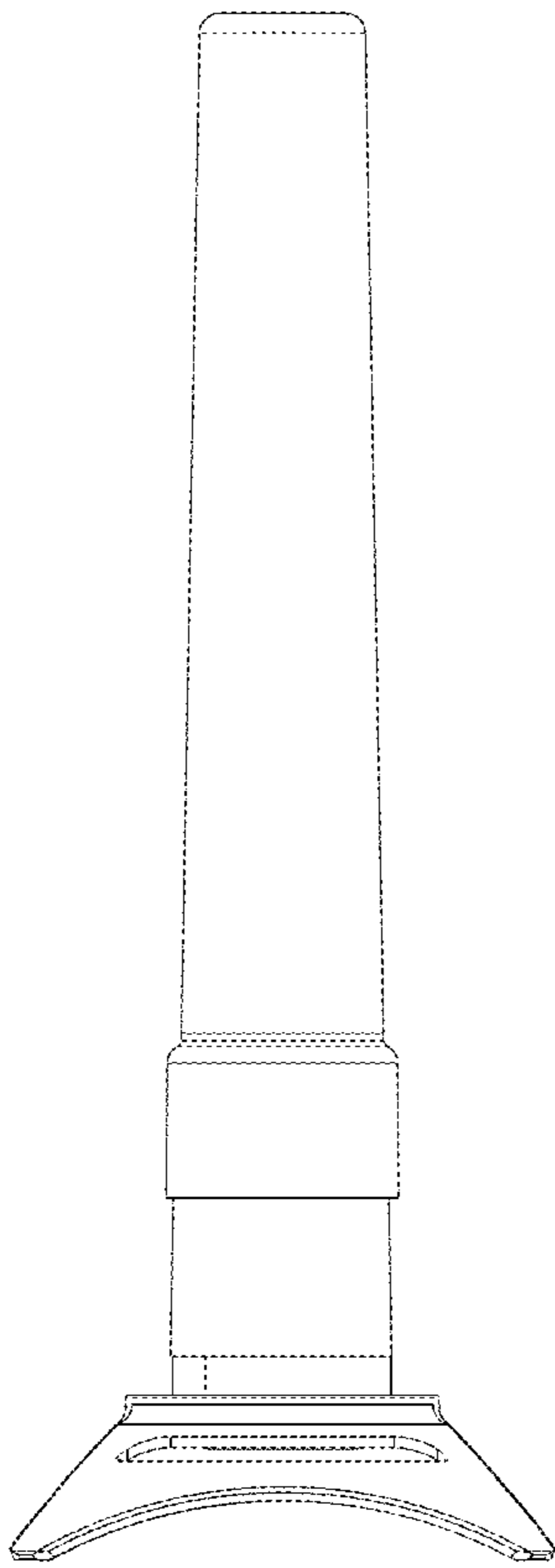


FIG. 3

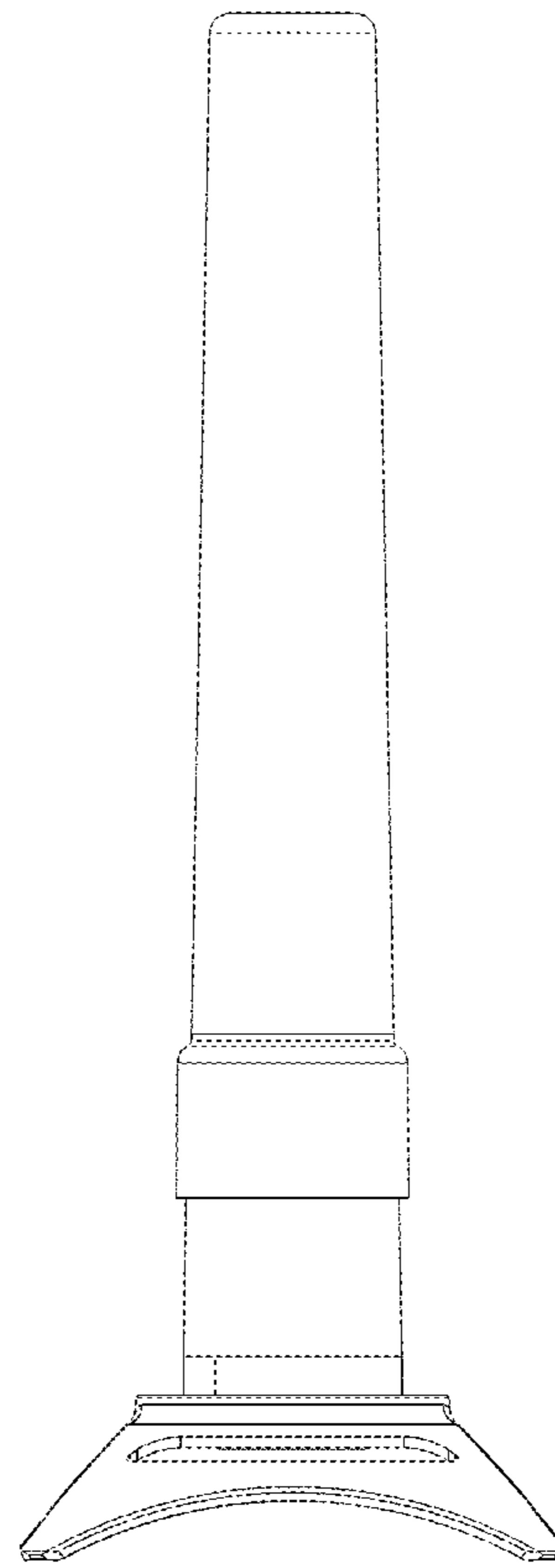


FIG. 4

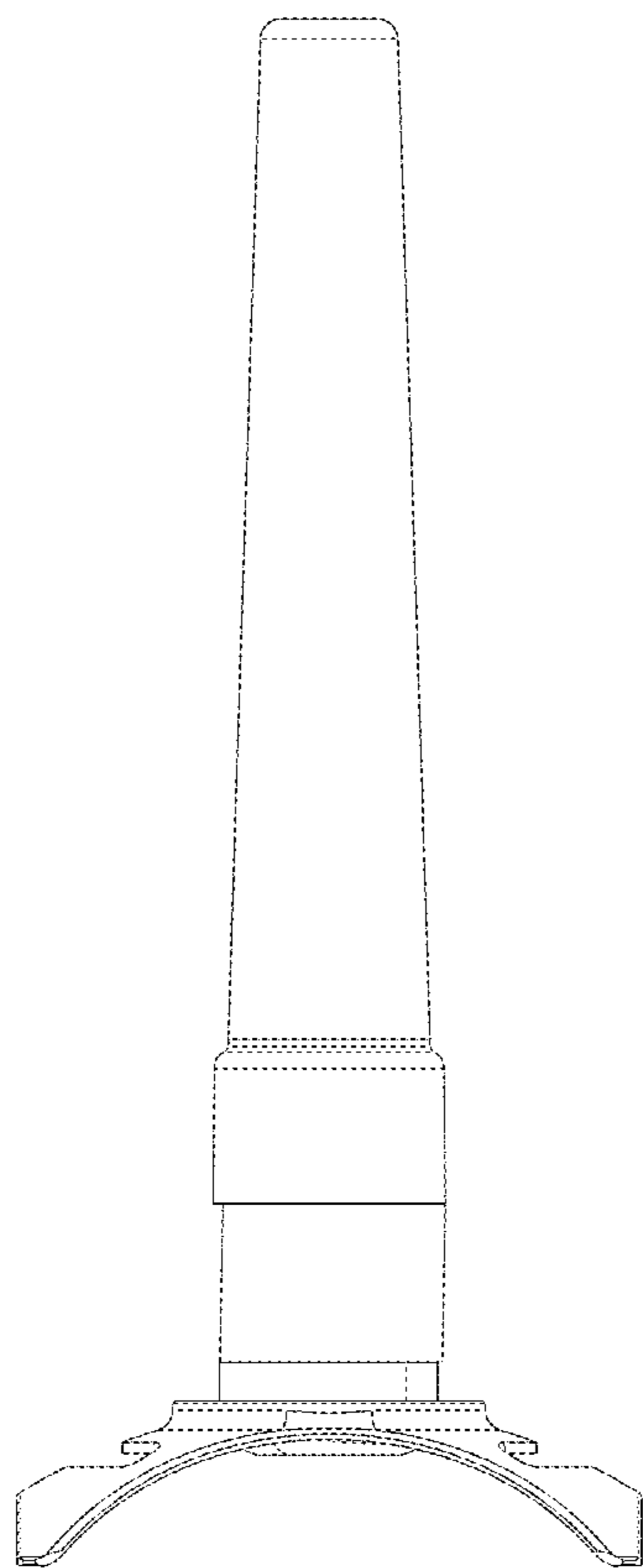


FIG. 5

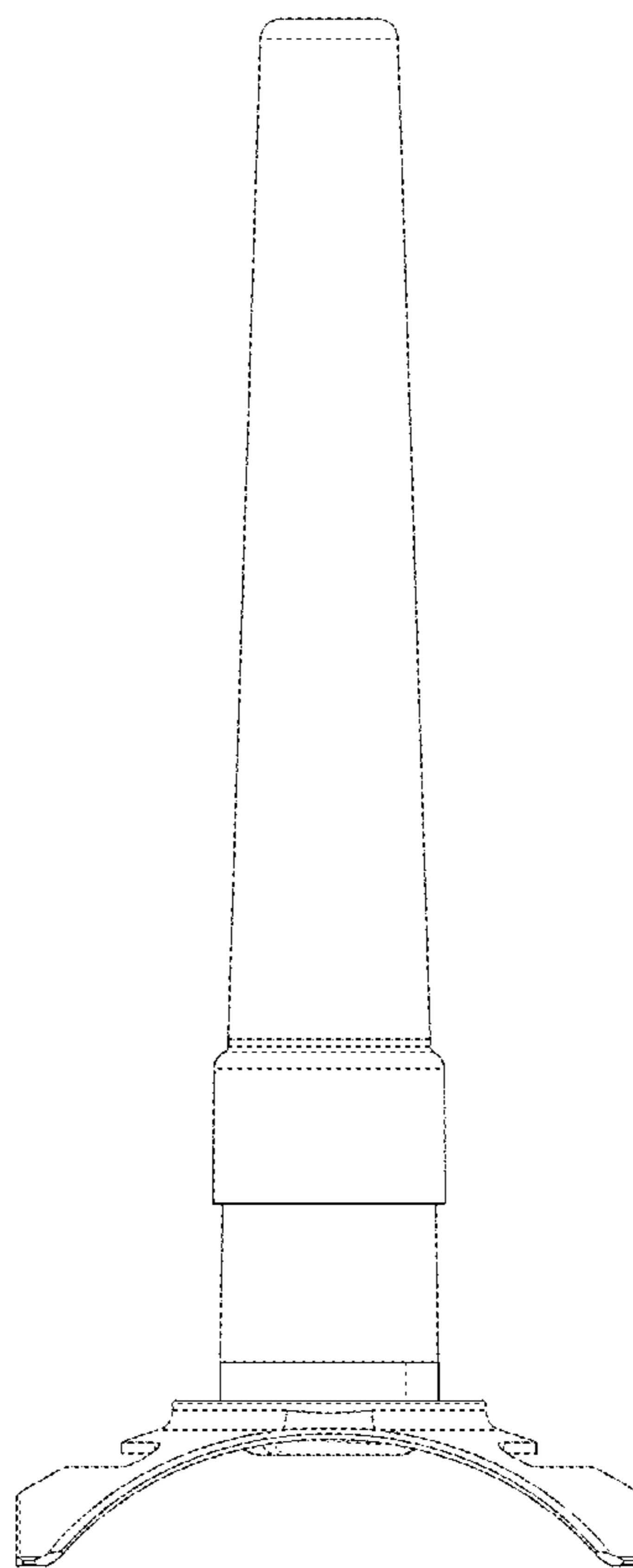


FIG. 6

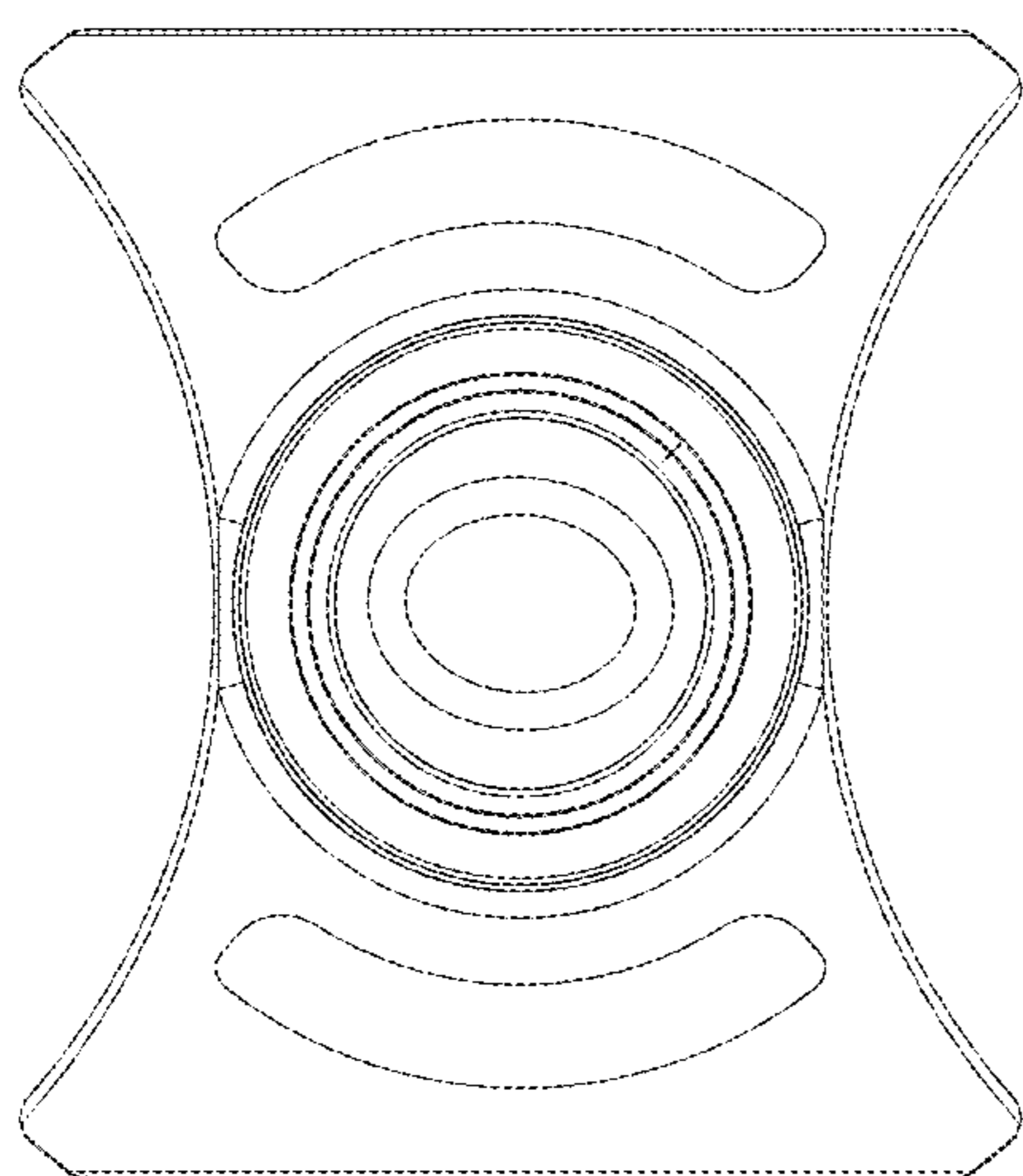


FIG. 7

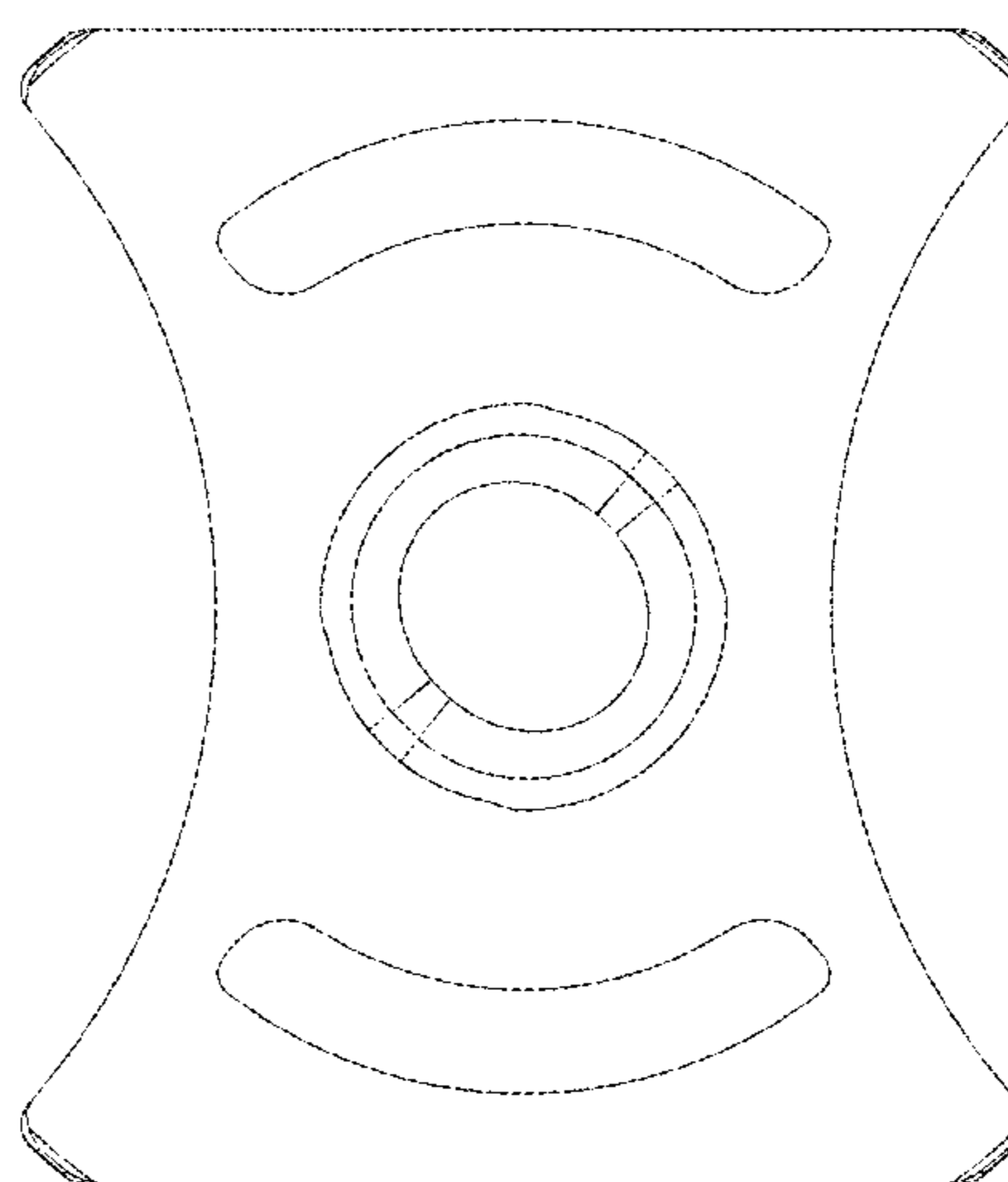


FIG. 8

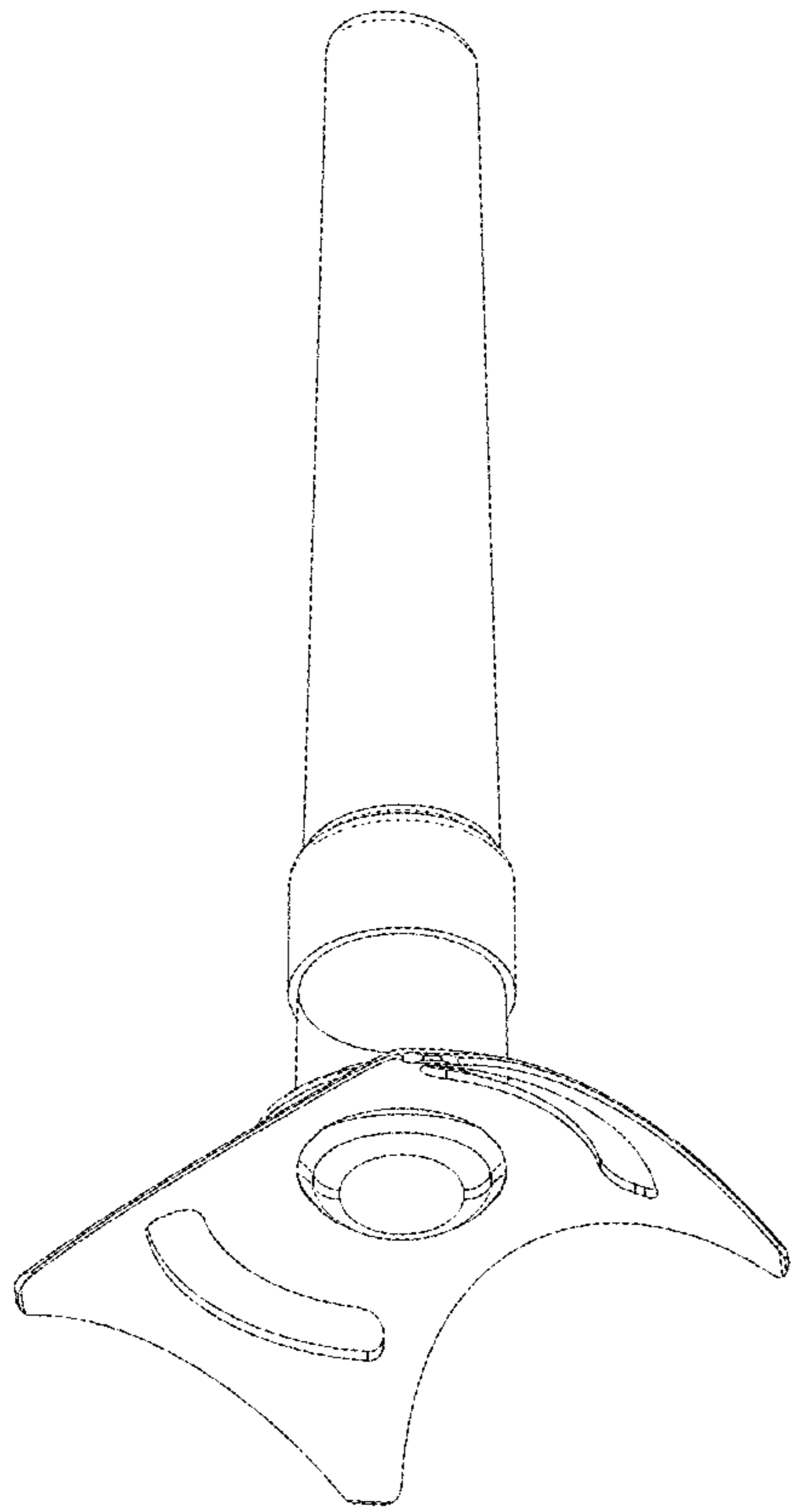


FIG. 9

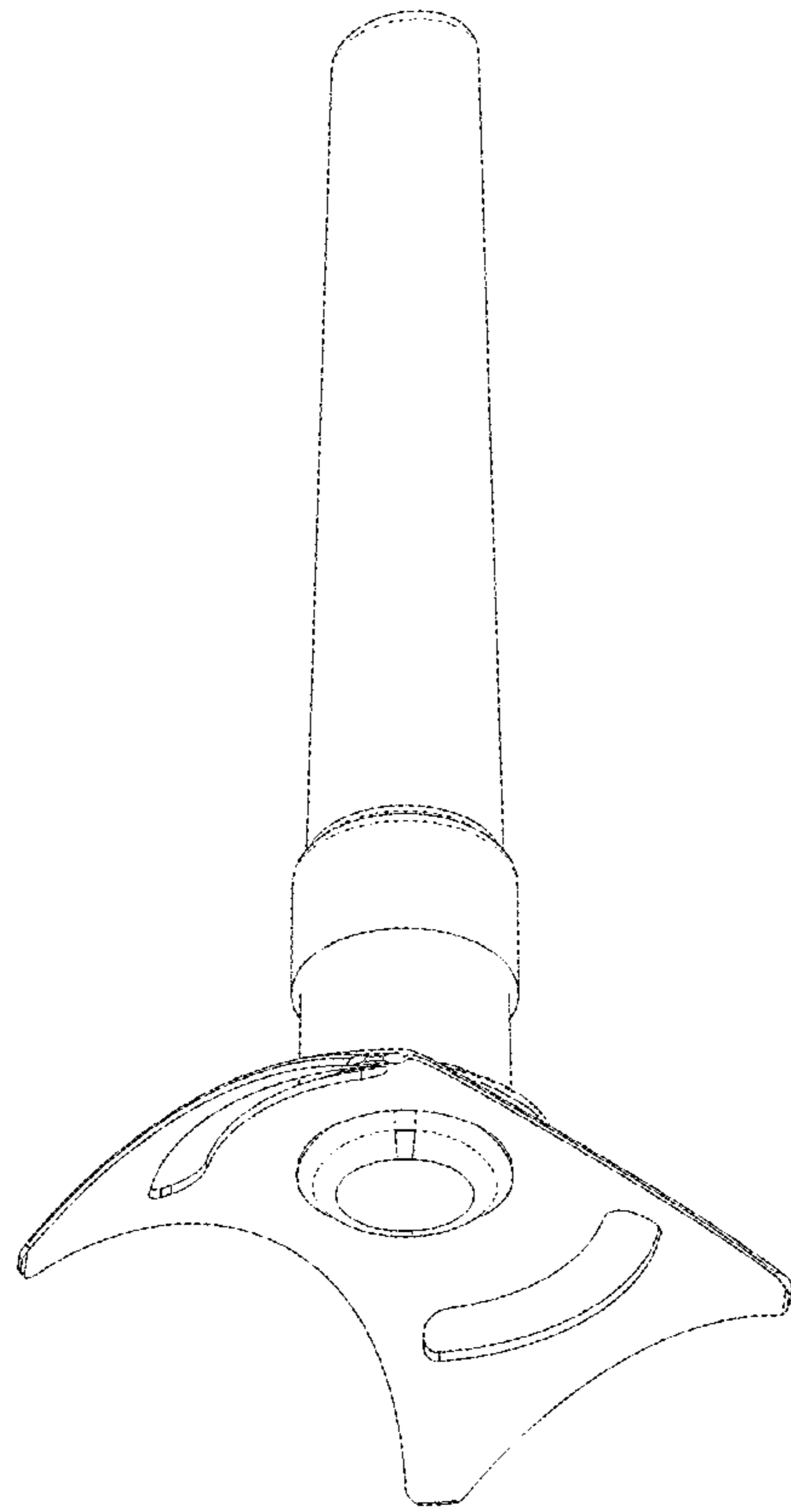


FIG. 10