

US00D727010S

(12) **United States Design Patent**  
**Greto et al.**

(10) **Patent No.:** **US D727,010 S**  
(45) **Date of Patent:** **\*\* Apr. 21, 2015**

(54) **BEACH UMBRELLA ANCHOR**  
(71) Applicants: **Adam Greto**, White Plains, NY (US);  
**Christine Greto**, White Plains, NY (US)  
(72) Inventors: **Adam Greto**, White Plains, NY (US);  
**Christine Greto**, White Plains, NY (US)  
(\*\*) Term: **14 Years**

(21) Appl. No.: **29/451,203**  
(22) Filed: **Mar. 28, 2013**  
(51) **LOC (10) Cl.** ..... **03-03**  
(52) **U.S. Cl.**  
USPC ..... **D3/10**  
(58) **Field of Classification Search**  
CPC ..... A45B 25/12; A45B 25/22; A45B 25/28  
USPC ..... D3/10, 12; D6/325, 326, 417, 509, 525,  
D6/556; D8/338, 343; D26/28; 135/16;  
248/156, 499, 545, 910; 52/169.13,  
52/170, 741.15; D11/152  
See application file for complete search history.

(56) **References Cited**  
U.S. PATENT DOCUMENTS  
2,643,843 A 6/1953 Brown  
D291,635 S \* 9/1987 Dickman ..... D6/509  
4,753,411 A \* 6/1988 Lechner et al. .... 248/533  
5,122,014 A 6/1992 Genfan  
5,636,944 A 6/1997 Buttimore  
D400,823 S \* 11/1998 Bagshaw ..... D11/152

D402,803 S \* 12/1998 Goldberg et al. .... D3/12  
D405,027 S \* 2/1999 McElwain et al. .... D11/152  
D421,532 S \* 3/2000 Koroncai ..... D6/417  
6,164,613 A \* 12/2000 Williams ..... 248/533  
D454,682 S \* 3/2002 D'Andrea ..... D3/10  
6,619,610 B1 \* 9/2003 Genovese ..... 248/519  
7,780,139 B2 \* 8/2010 Markert ..... 248/523  
D623,845 S \* 9/2010 Lintott et al. .... D3/10  
8,371,319 B2 \* 2/2013 Meibos et al. .... 135/16  
2004/0118058 A1 \* 6/2004 Bigford ..... 52/169.13

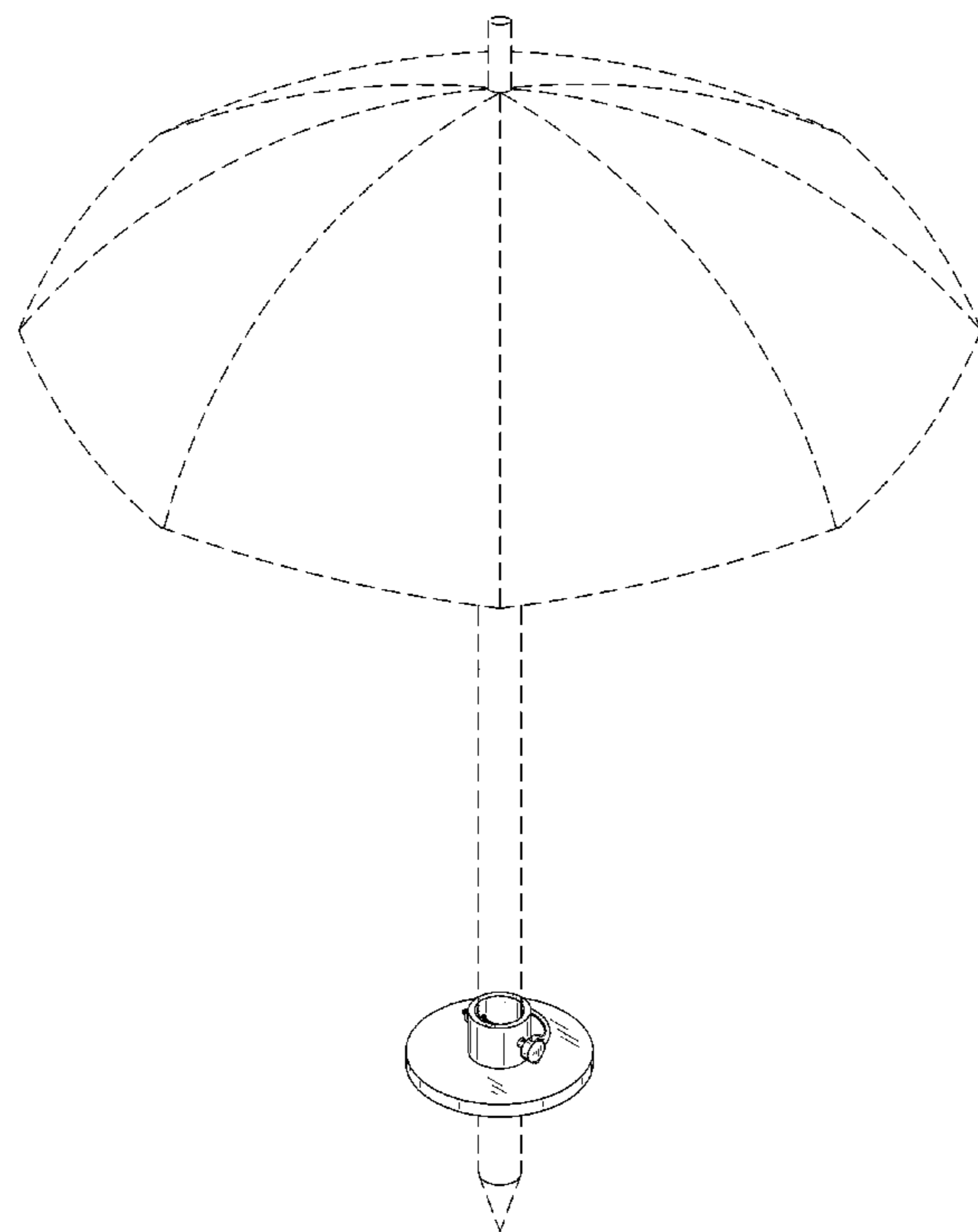
\* cited by examiner  
*Primary Examiner* — Cathron Brooks  
*Assistant Examiner* — Catherine Posthauer  
(74) *Attorney, Agent, or Firm* — Crossley Patent Law

(57) **CLAIM**  
The ornamental design for a beach umbrella anchor, as shown and described.

**DESCRIPTION**

FIG. 1 is a top plan view of a beach umbrella anchor showing our new design;  
FIG. 2 is a bottom plan view thereof;  
FIG. 3 is a front elevation view thereof;  
FIG. 4 is a rear elevation view thereof;  
FIG. 5 is a right side elevation view thereof;  
FIG. 6 is a left side elevation view thereof; and,  
FIG. 7 is an isometric view thereof.  
The broken lines in FIG. 7 of the drawings depict a beach umbrella as environmental subject matter only and form no part of the claimed design.

**1 Claim, 3 Drawing Sheets**



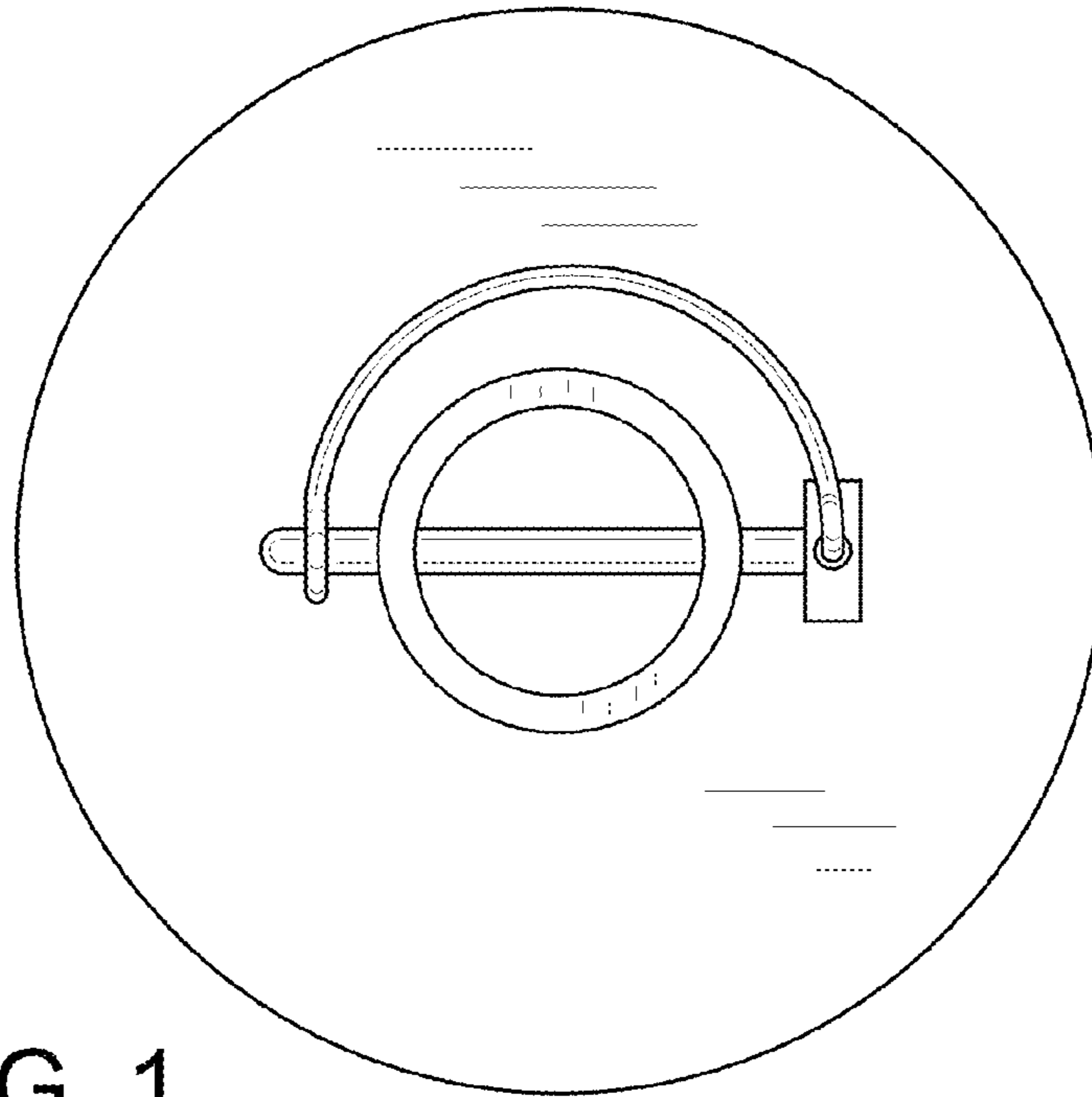


FIG. 1

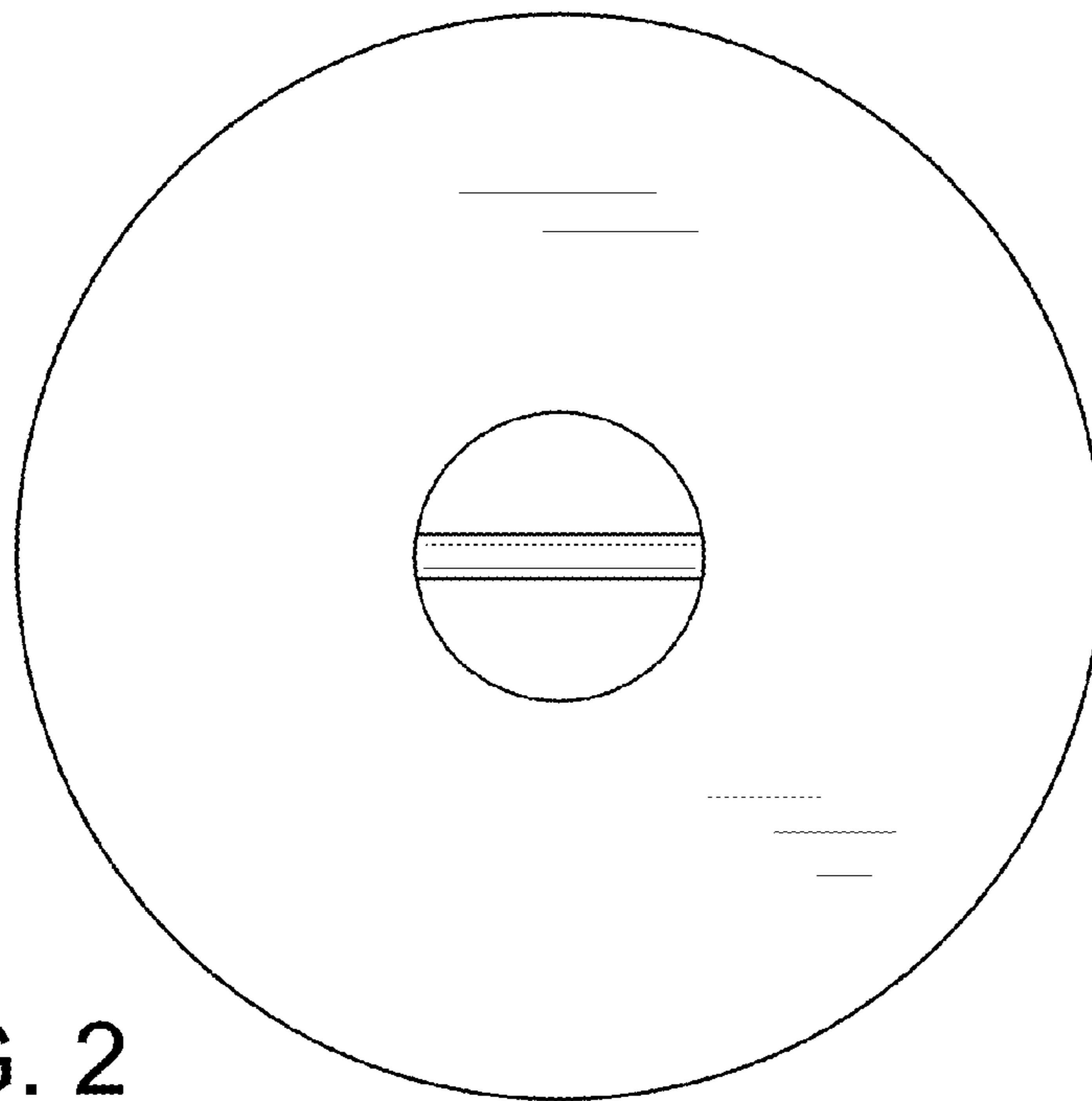


FIG. 2

FIG. 3

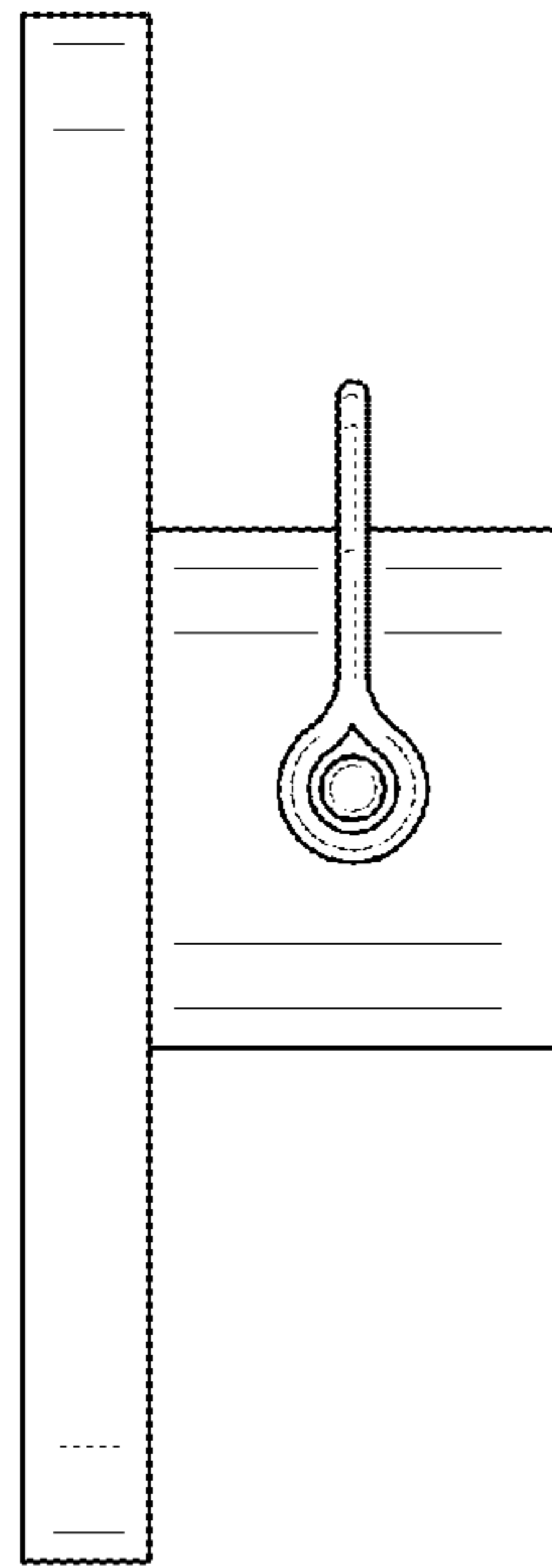


FIG. 4

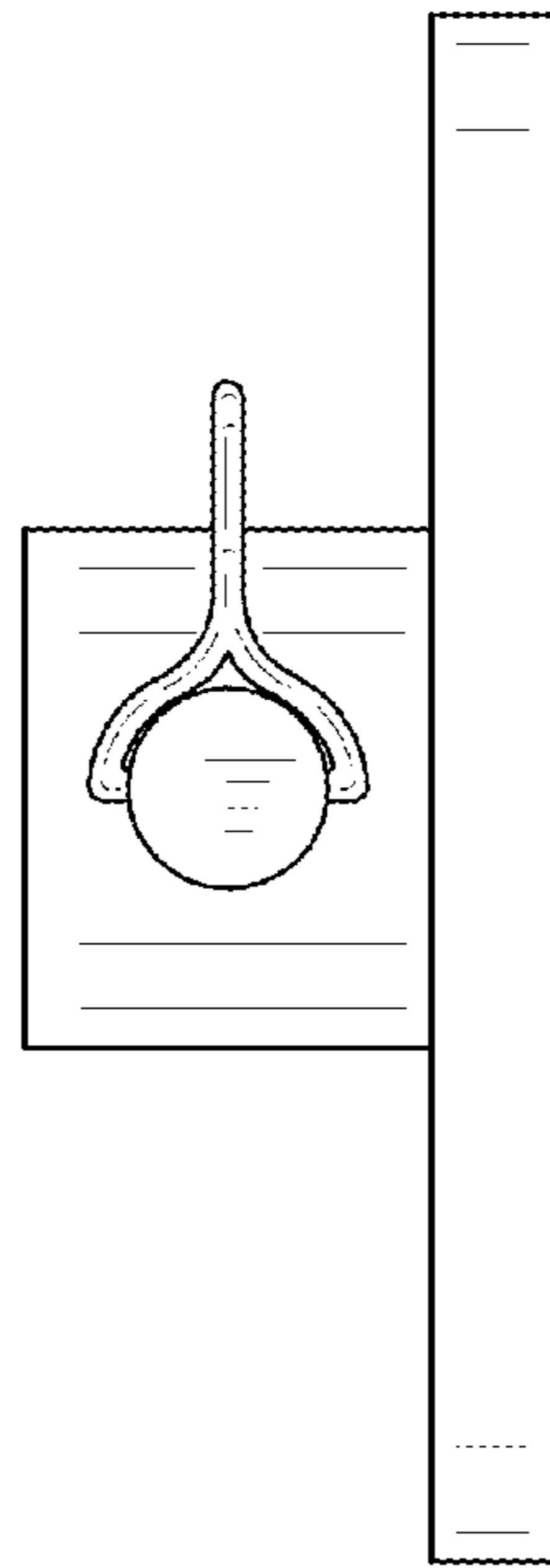


FIG. 5

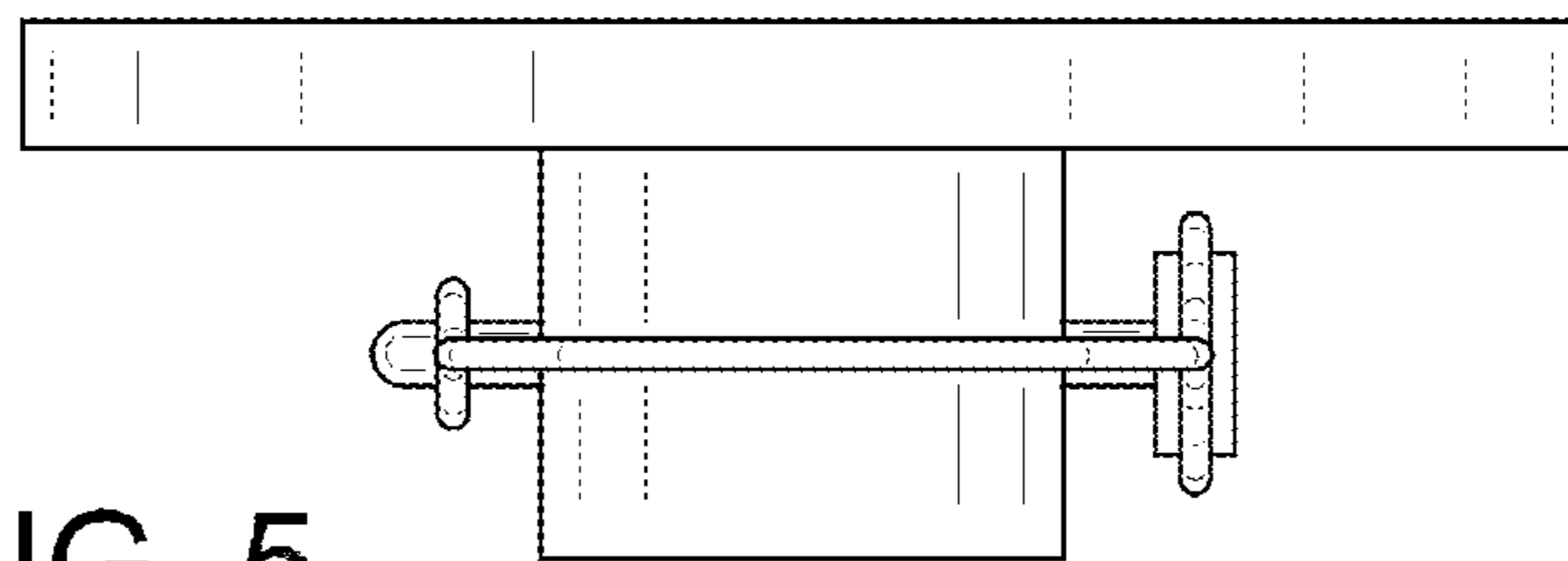
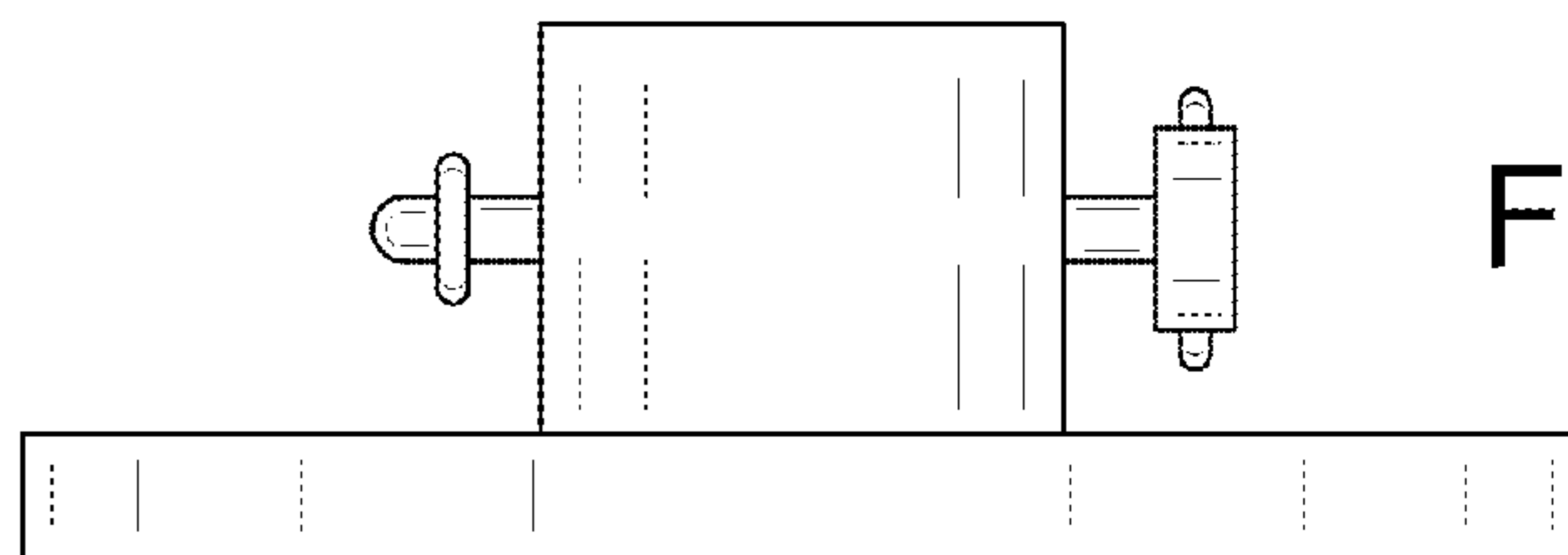


FIG. 6



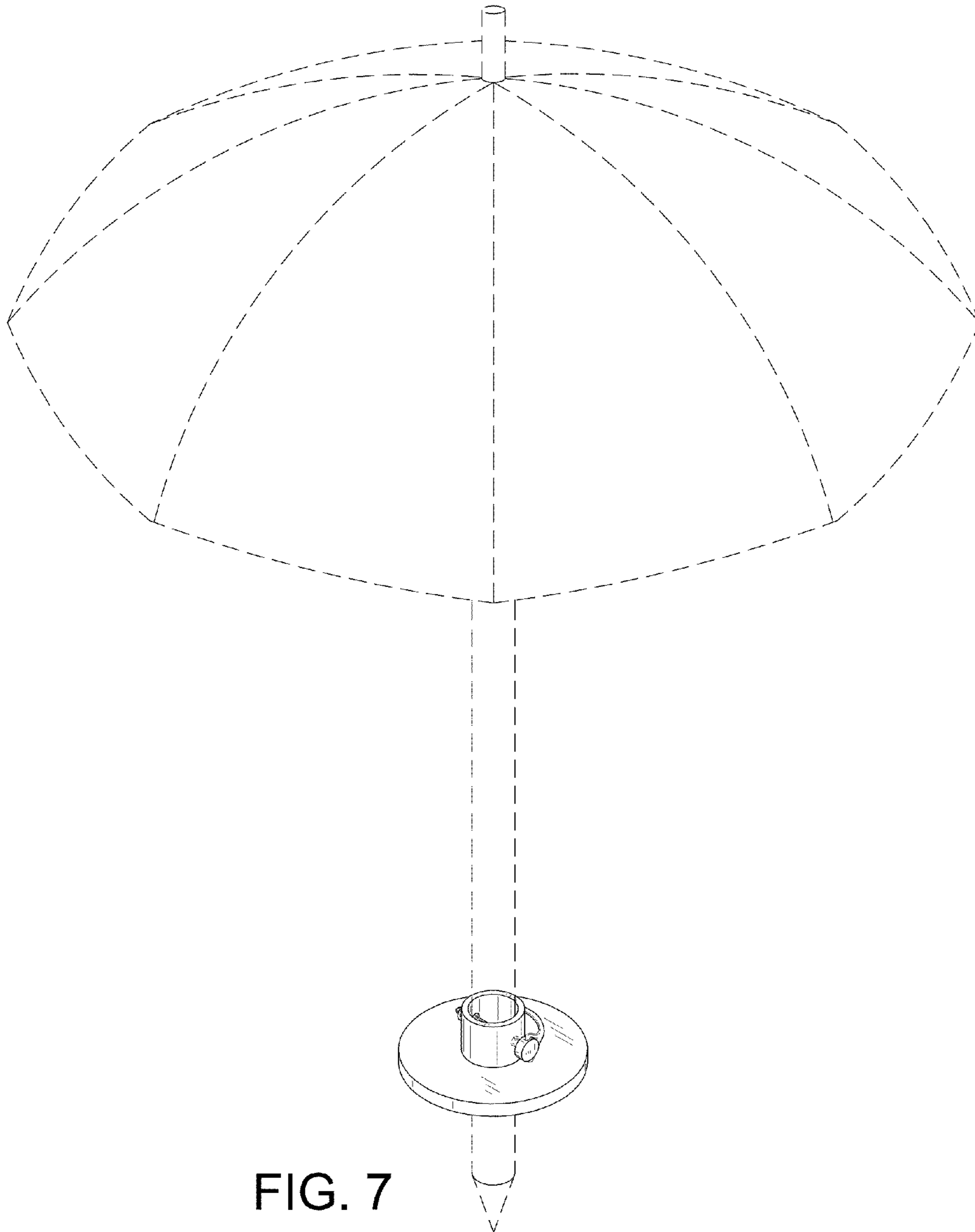


FIG. 7