



US00D727009S

(12) **United States Design Patent**
Aleshka et al.

(10) **Patent No.:** **US D727,009 S**
(45) **Date of Patent:** **** Apr. 21, 2015**

(54) **MID-POINT INDICATOR LACE**
(71) Applicants: **Adam A. Aleshka**, Winnipeg (CA);
Blake G. Forsyth, Winnipeg (CA)
(72) Inventors: **Adam A. Aleshka**, Winnipeg (CA);
Blake G. Forsyth, Winnipeg (CA)
(**) Term: **14 Years**

D496,143 S * 9/2004 Noell et al. D2/627
7,246,417 B1 * 7/2007 Huang 24/715.6
7,467,647 B1 * 12/2008 Wilk 139/387 R
D594,643 S * 6/2009 Moore D2/978
7,549,201 B2 * 6/2009 Kraft et al. 24/713
D604,037 S * 11/2009 Feller et al. D2/978
D718,041 S * 11/2014 McAndrew D2/978
2002/0092142 A1 * 7/2002 Schoen 24/712.1
2003/0041477 A1 * 3/2003 Liu 36/50.1
2006/0064855 A1 * 3/2006 Wilk 24/712
2008/0301853 A1 * 12/2008 Cummiskey et al. 2/170

(Continued)

(21) Appl. No.: **29/471,533**

(22) Filed: **Nov. 1, 2013**

(51) **LOC (10) Cl.** **02-07**

(52) **U.S. Cl.**
USPC **D2/978**

(58) **Field of Classification Search**
CPC A41B 11/00; A41D 1/08; A41D 7/00;
A43B 13/00; A43B 17/00; A43B 17/003;
A43B 17/02; A43B 17/10; A43B 19/00;
A43C 1/00; A43C 9/00
USPC D2/611, 627, 731, 732, 738, 742, 744,
D2/858, 901, 909-915, 919, 920, 947, 961,
D2/964, 965, 967, 968, 969-971, 977, 978,
D2/980, 983-985, 994; D24/192; 2/60, 61,
2/66, 67, 80, 170, 228, 237, 239-242,
2/272, 407; 24/713; 36/37, 43, 44

See application file for complete search history.

(56) **References Cited**

U.S. PATENT DOCUMENTS

48,153 A * 6/1865 Chase 24/182
931,949 A * 8/1909 Morrow 24/712
1,412,086 A * 4/1922 Norden 29/509
1,937,399 A * 11/1933 Bateman 24/712
2,869,205 A * 1/1959 Kacowski 24/715.3
5,023,982 A * 6/1991 Mehan 24/715.3
D346,895 S * 5/1994 Martin D2/978
5,566,477 A * 10/1996 Mathis et al. 36/100
5,619,778 A * 4/1997 Slood 24/715.4
5,639,244 A * 6/1997 Stricklin 434/260
6,119,591 A * 9/2000 Chen 101/35

OTHER PUBLICATIONS

Deubré, announced Feb. 4, 2007 [online], [site visited Dec. 15, 2014].
Available from Internet, <<http://en.wikipedia.org/wiki/Deubr%C3%A9>>.*

(Continued)

Primary Examiner — Barbara Fox
Assistant Examiner — Dana K Weiland
(74) *Attorney, Agent, or Firm* — Robert C. Montgomery;
Montgomery Patent & Design

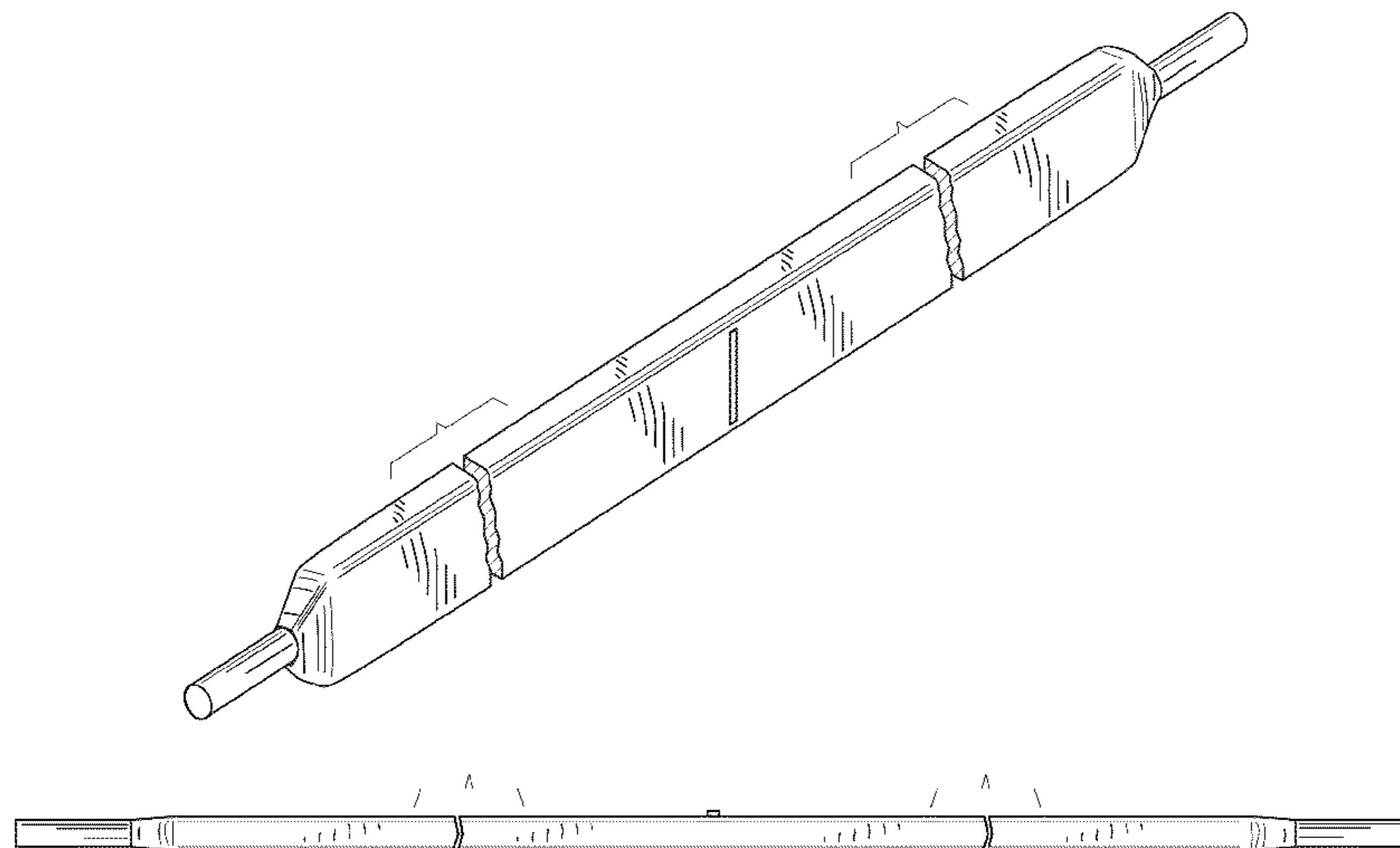
(57) **CLAIM**

The ornamental design for a mid-point indicator lace, as shown and described.

DESCRIPTION

FIG. 1 is a perspective view of a mid-point indicator lace showing our new invention;
FIG. 2 is an enlarged front view thereof, wherein a rear view is a mirror image;
FIG. 3 is a left-side view of FIG. 1, wherein a right-side view is a mirror image; and,
FIG. 4 is a top view of thereof, wherein a bottom view is a mirror image.
The break lines indicate that the appearance of any portion of the mid-point indicator lace between the break lines forms no part of the claimed design.

1 Claim, 4 Drawing Sheets



(56)

References Cited

OTHER PUBLICATIONS

U.S. PATENT DOCUMENTS

2009/0178257 A1* 7/2009 Boone 24/712.2
2009/0229095 A1* 9/2009 Valdez 24/713.1
2011/0277283 A1* 11/2011 Ward, IV 24/713
2013/0117987 A1* 5/2013 Rienecker 29/428
2013/0244213 A1* 9/2013 Davis et al. 434/260

Rectangle Shoelaces, announced Mar. 23, 2013 [online], [site visited Jan. 6, 2015]. Available from Internet, URL: <http://apexshoelaces.com/?page_id=92>.*

* cited by examiner

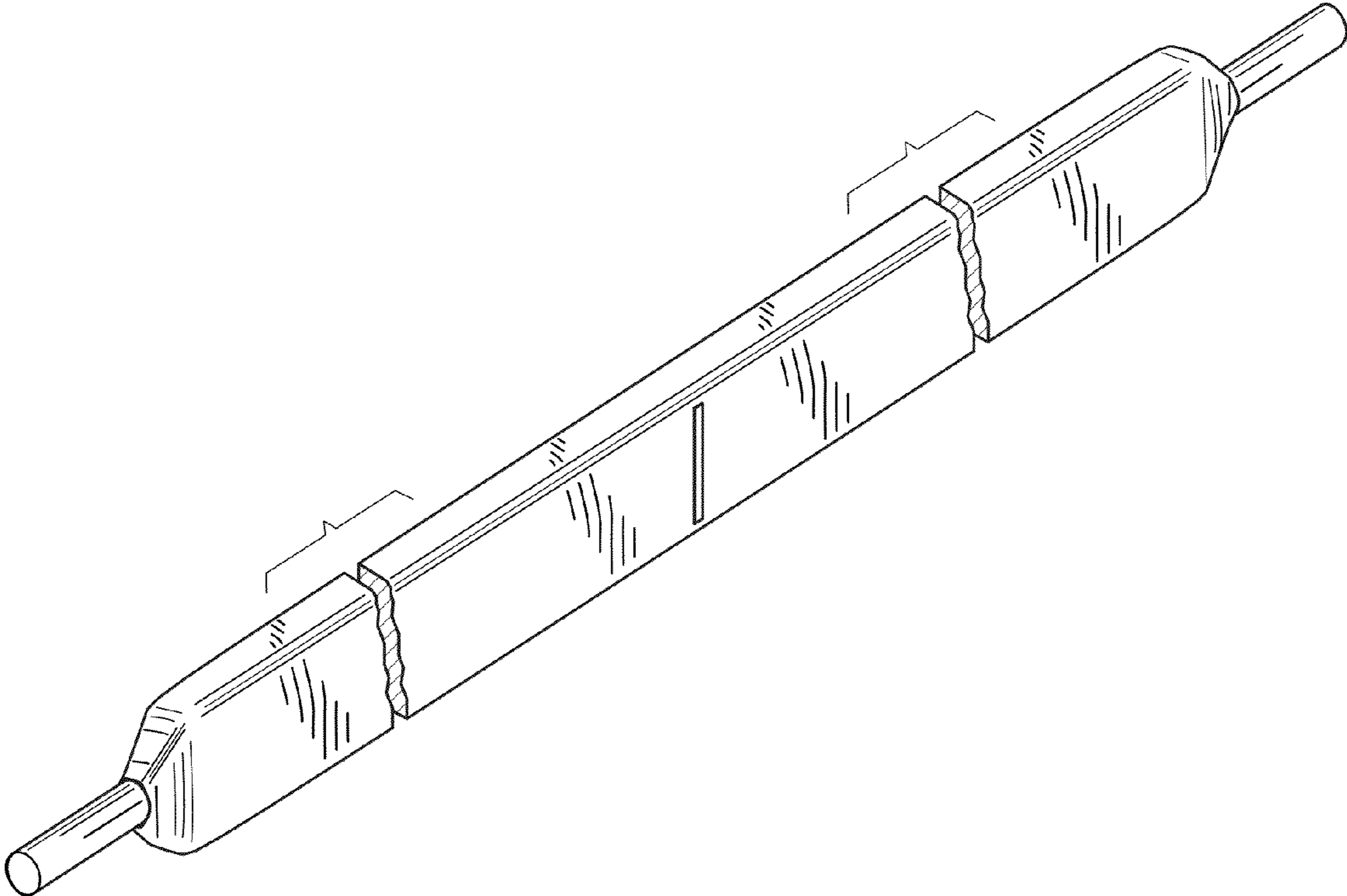


Fig. 1

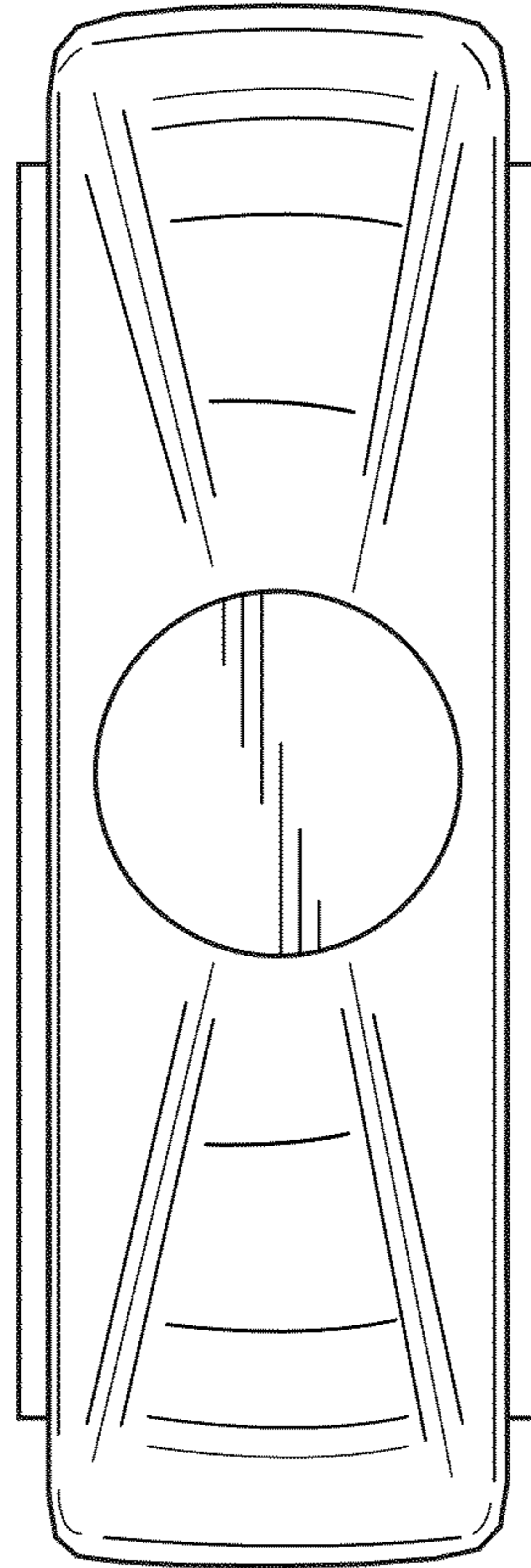


Fig. 2

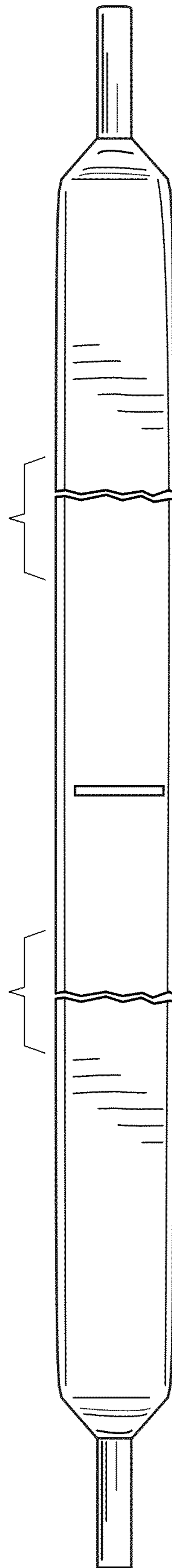


Fig. 3

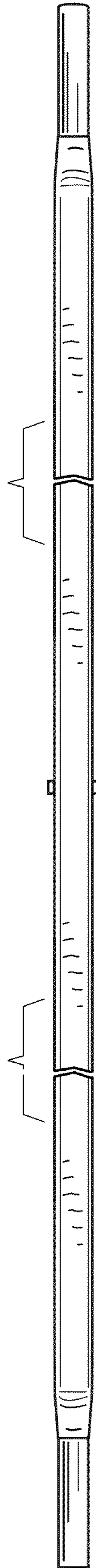


Fig. 4