



US00D726993S

(12) **United States Design Patent**
Ermel

(10) **Patent No.:** **US D726,993 S**
(45) **Date of Patent:** **** Apr. 21, 2015**

(54) **ADJUSTABLE BELT USING RING SNAP
BUTTONS**

D611,678 S * 3/2010 Bailey D2/624
D617,671 S * 6/2010 Hardy D11/3
D693,992 S * 11/2013 Dinunzio D2/853

(71) Applicant: **Aavo Ermel**, Harjumaa (EE)

OTHER PUBLICATIONS

(72) Inventor: **Aavo Ermel**, Harjumaa (EE)

Couture Designer Resale Boutique. Louis Vuitton Natural Vachetta Snap Button Belt. 2012 [online], [site visited Oct. 29, 2014]. Available from Internet, <URL:http://www.coutureusa.com/p-9917-louis-vuitton-natural-vachetta-snap-button-belt.aspx>.*

(**) Term: **14 Years**

* cited by examiner

(21) Appl. No.: **29/489,160**

(22) Filed: **Apr. 28, 2014**

Primary Examiner — Robert M Spear
Assistant Examiner — Darcey E Heflin

(51) **LOC (10) Cl.** **02-07**

(52) **U.S. Cl.**
USPC **D2/627**

(58) **Field of Classification Search**
CPC A41F 9/002
USPC D2/624, 627–629, 633, 636, 638, 639,
D2/728, 853, 999; D3/215, 217, 318;
D11/3, 38, 200, 212, 228, 230, 231;
2/44, 236, 300, 305, 310–312, 330,
2/337, 338, 908, 912, 913; 24/614–616,
24/625, 633; 59/78, 80–83; 63/3, 3.1, 3.2,
63/4, 5.1, 5.2

See application file for complete search history.

(57) **CLAIM**
The ornamental design for an adjustable belt using ring snap buttons, as shown and described.

DESCRIPTION

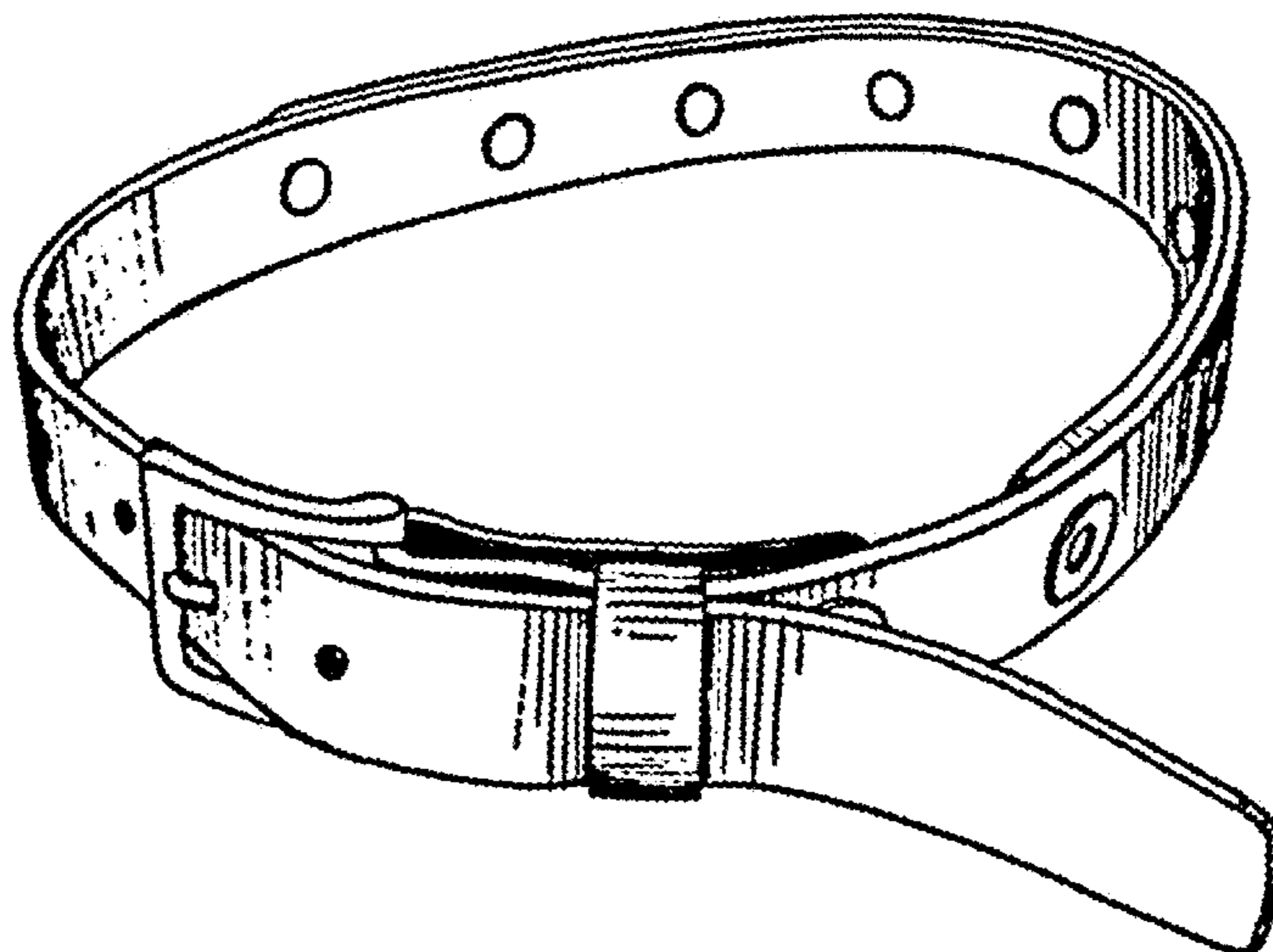
FIG. 1 is a perspective front view of the ornamental design for an adjustable belt using ring snap buttons showing my new design.
FIG. 2 is a perspective rear view of the ornamental design for an adjustable belt using ring snap buttons showing my new design in another alternate configuration of use.
FIG. 3 is a perspective front view of the ornamental design for an adjustable belt using ring snap buttons showing my new design in another alternate configuration of use.
FIG. 4 is a perspective rear view of the ornamental design for an adjustable belt using ring snap buttons showing my new design in another alternate configuration of use; and,
FIG. 5 is a perspective side view of the ornamental design for an adjustable belt using ring snap buttons showing my new design in another alternate configuration of use.

(56) **References Cited**

U.S. PATENT DOCUMENTS

D26,756 S * 3/1897 Sanders D2/627
822,710 A * 6/1906 Askew 2/338
1,234,165 A * 7/1917 Hill 2/322
2,503,157 A * 4/1950 Knee 224/587
2,916,742 A * 12/1959 Sobel 2/322
D238,315 S * 1/1976 Terwilleger D2/636
D381,787 S * 8/1997 Littleton D2/627
5,826,280 A * 10/1998 Bradley 2/322
D599,080 S * 9/2009 Pantoja D2/627

1 Claim, 5 Drawing Sheets



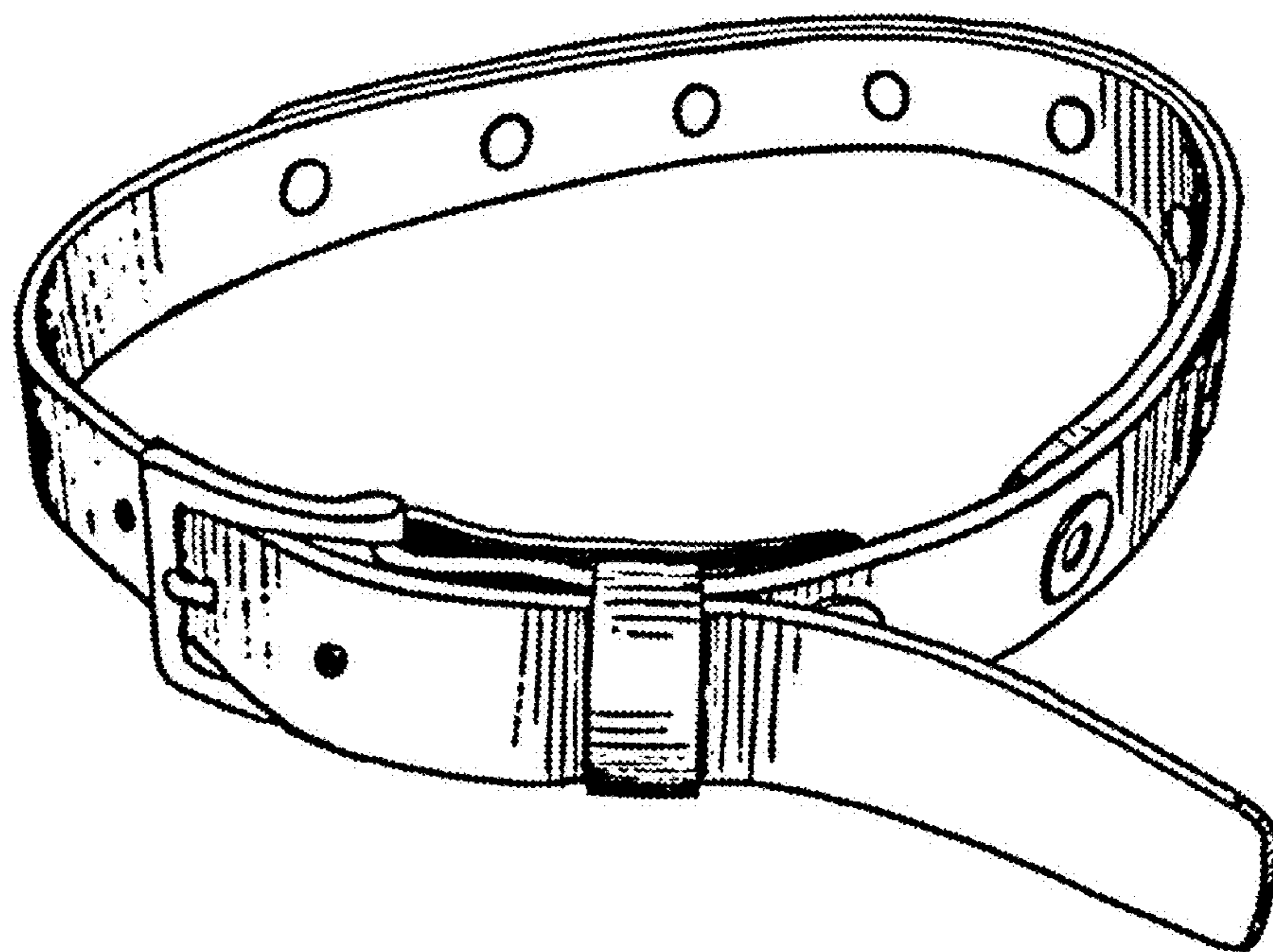


Fig. 1

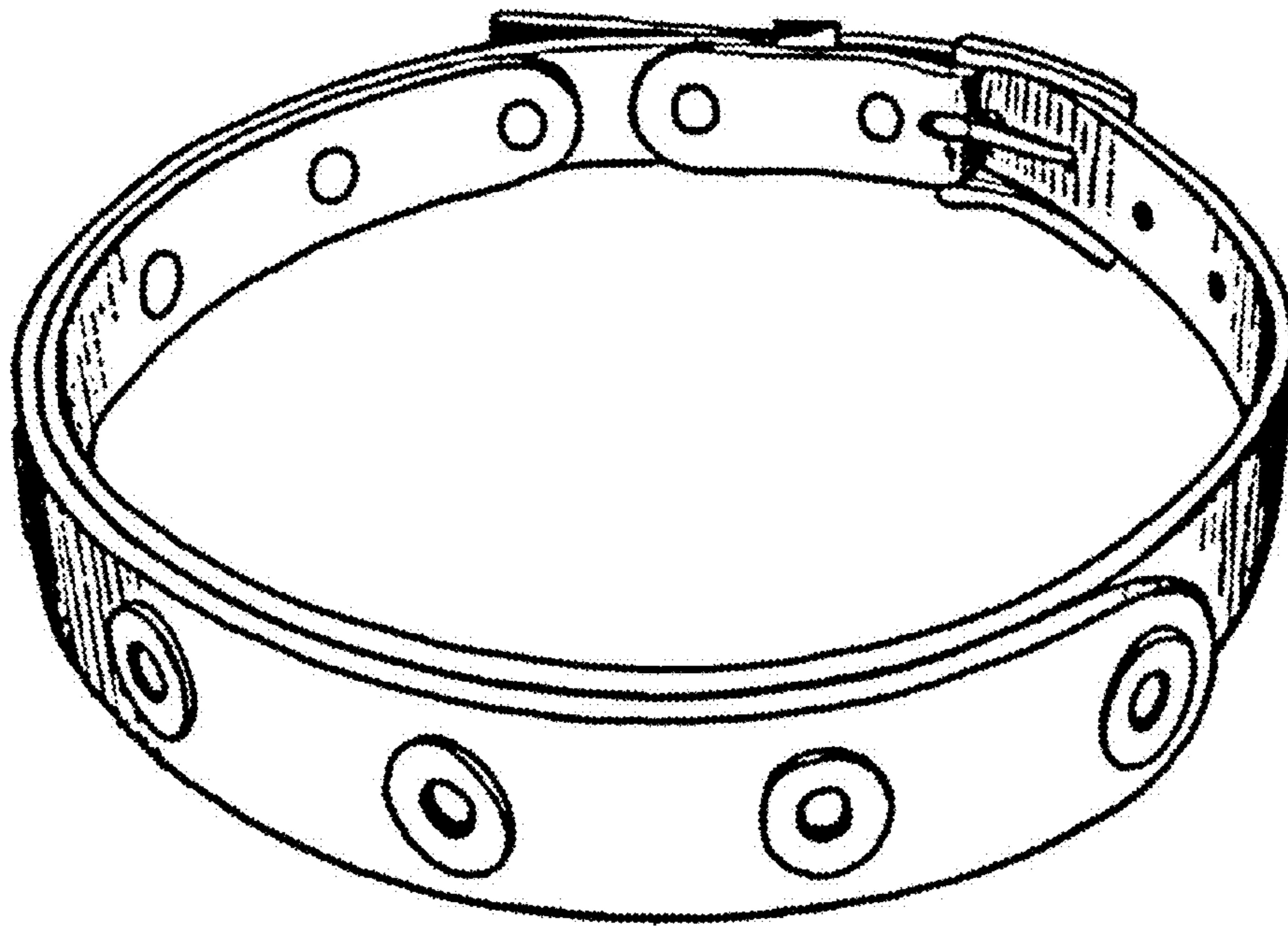


Fig. 2

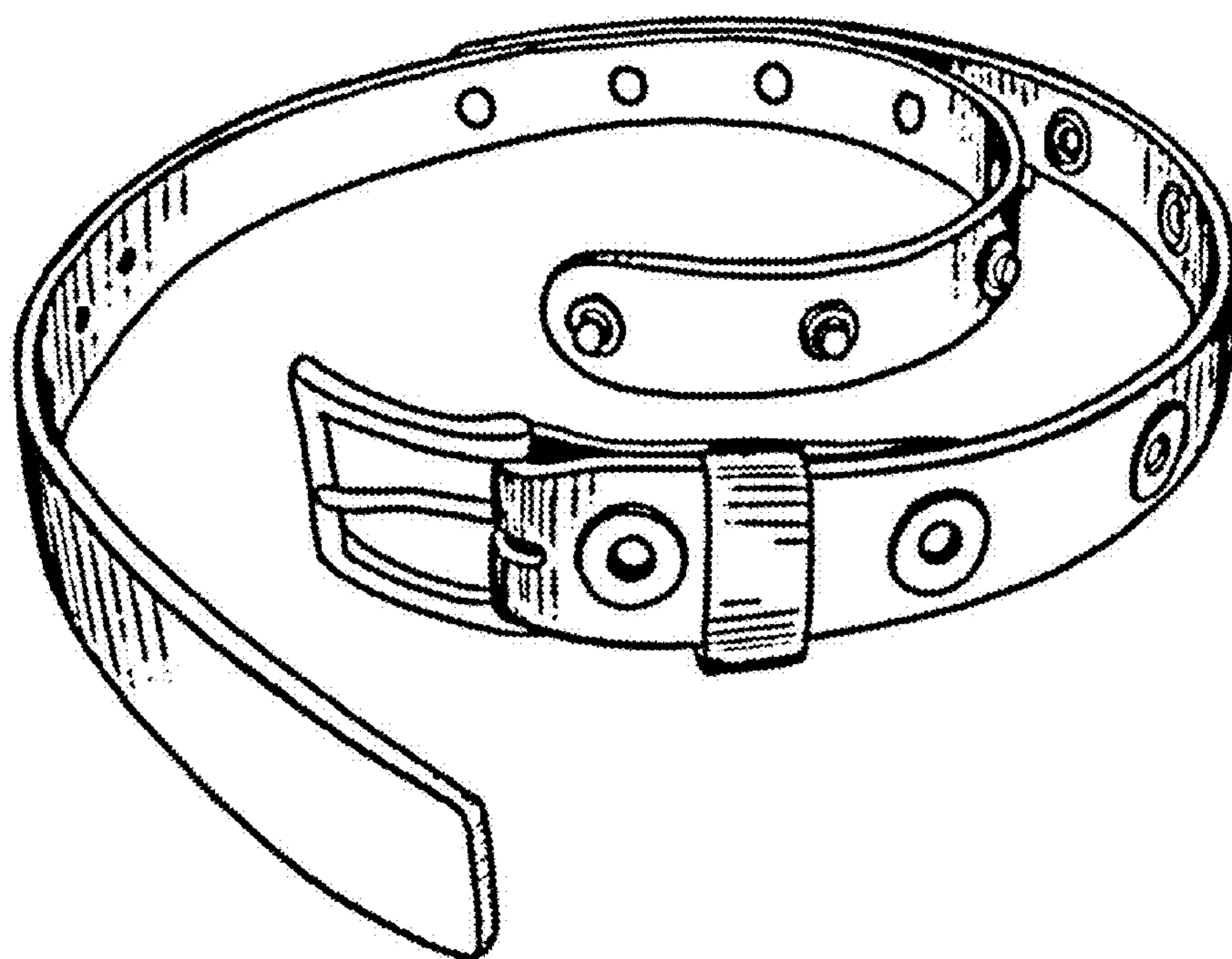


Fig. 3

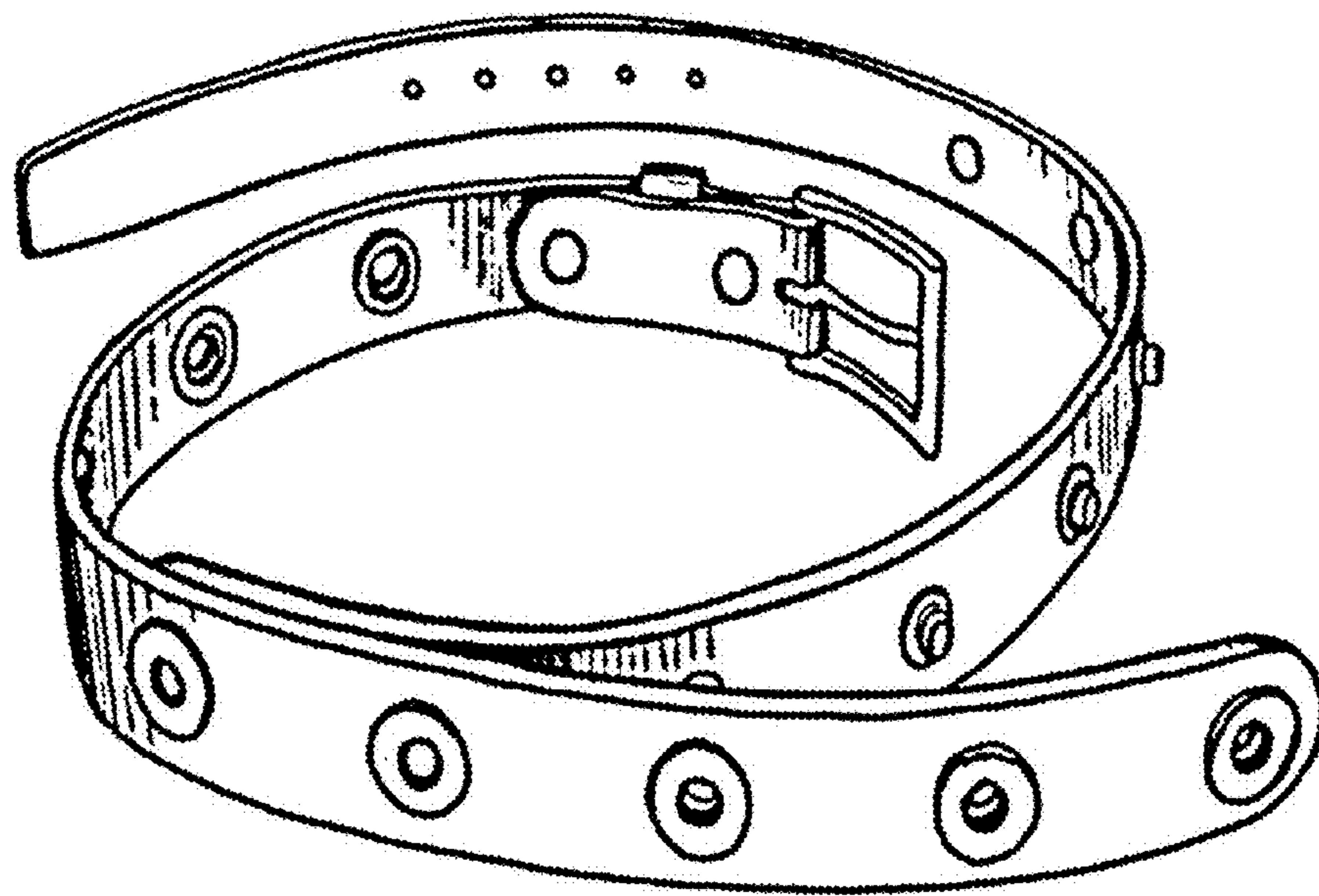


Fig. 4

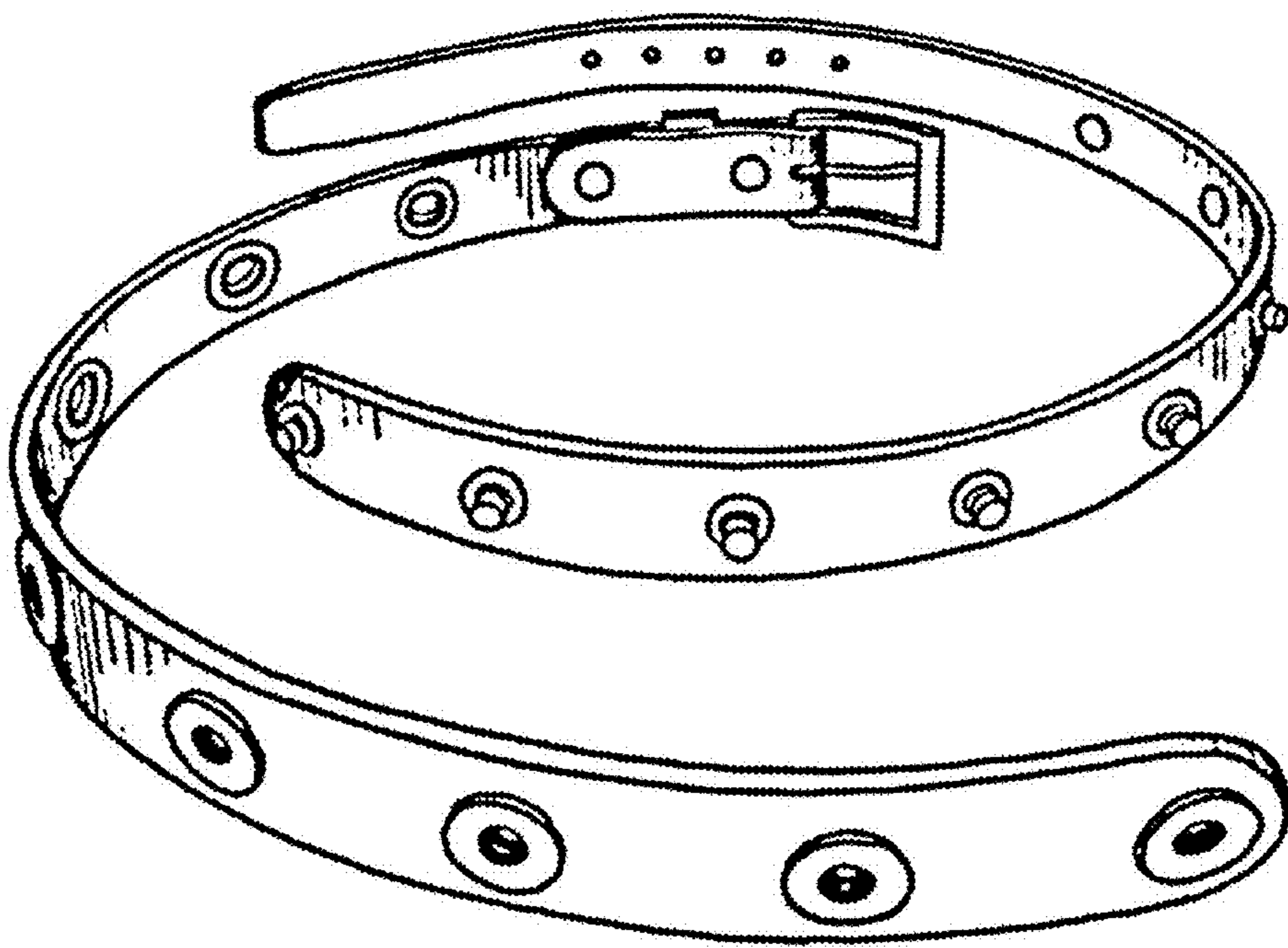


Fig. 5