



US00D726991S

(12) **United States Design Patent**  
**Albuja**

(10) **Patent No.:** **US D726,991 S**

(45) **Date of Patent:** **\*\* Apr. 21, 2015**

(54) **ANIMAL TREAT**

(71) Applicant: **Societe des Produits Nestle S.A.**, St. Louis, MO (US)

(72) Inventor: **Mario Guillermo Albuja**, Eureka, MO (US)

(73) Assignee: **Societe des Produits Nestle S.A.**, Vevey (CH)

(\*\*) Term: **14 Years**

(21) Appl. No.: **29/486,914**

(22) Filed: **Apr. 3, 2014**

**Related U.S. Application Data**

(62) Division of application No. 29/456,581, filed on May 31, 2013, now Pat. No. Des. 704,917.

(51) **LOC (10) Cl.** ..... **01-01**

(52) **U.S. Cl.**  
USPC ..... **D1/125**

(58) **Field of Classification Search**  
USPC ..... D1/100-130, 199; 426/2, 89, 92, 104, 426/635, 805; D30/160; D24/102, 103; D25/119-135; 119/706-711; D34/28, D34/29

See application file for complete search history.

(56) **References Cited**

U.S. PATENT DOCUMENTS

1,986,987	A *	1/1935	Trachsel	.....	164/411
6,117,477	A	9/2000	Paluch		
6,138,314	A *	10/2000	Schiff et al.	.....	15/167.1
D437,101	S *	2/2001	Debbouz et al.	.....	D1/126
D459,571	S	7/2002	Borland et al.		
D486,621	S	2/2004	Speck et al.		
D509,045	S *	9/2005	Buckley et al.	.....	D1/199
D511,236	S	11/2005	Crum et al.		
D516,276	S	3/2006	Unlu et al.		

D517,774	S	3/2006	Jia et al.
D527,164	S	8/2006	Speck et al.
D528,261	S	9/2006	Mendes et al.
D532,583	S	11/2006	Townsend et al.
D534,706	S	1/2007	Cuadrado
D535,082	S	1/2007	Adkins

(Continued)

FOREIGN PATENT DOCUMENTS

WO	2005084243	A2	9/2005
WO	2012156674	A1	11/2012

*Primary Examiner* — Deanna L Pratt

*Assistant Examiner* — Katie Mroczka

(74) *Attorney, Agent, or Firm* — Holland & Hart, LLP

(57) **CLAIM**

The ornamental design for an animal treat, as shown and described.

**DESCRIPTION**

FIG. 1 is a perspective view of an embodiment of an animal treat, showing my new design.

FIG. 2 is a top view of the design illustrated in FIG. 5, the bottom view being a mirror image thereof;

FIG. 3 is a left end view of the design illustrated in FIG. 5, the right end view being a mirror image thereof;

FIG. 4 is a front view of the design illustrated in FIG. 5, the rear view being a mirror image thereof;

FIG. 5 is a perspective view of another embodiment of an animal treat, showing my new design;

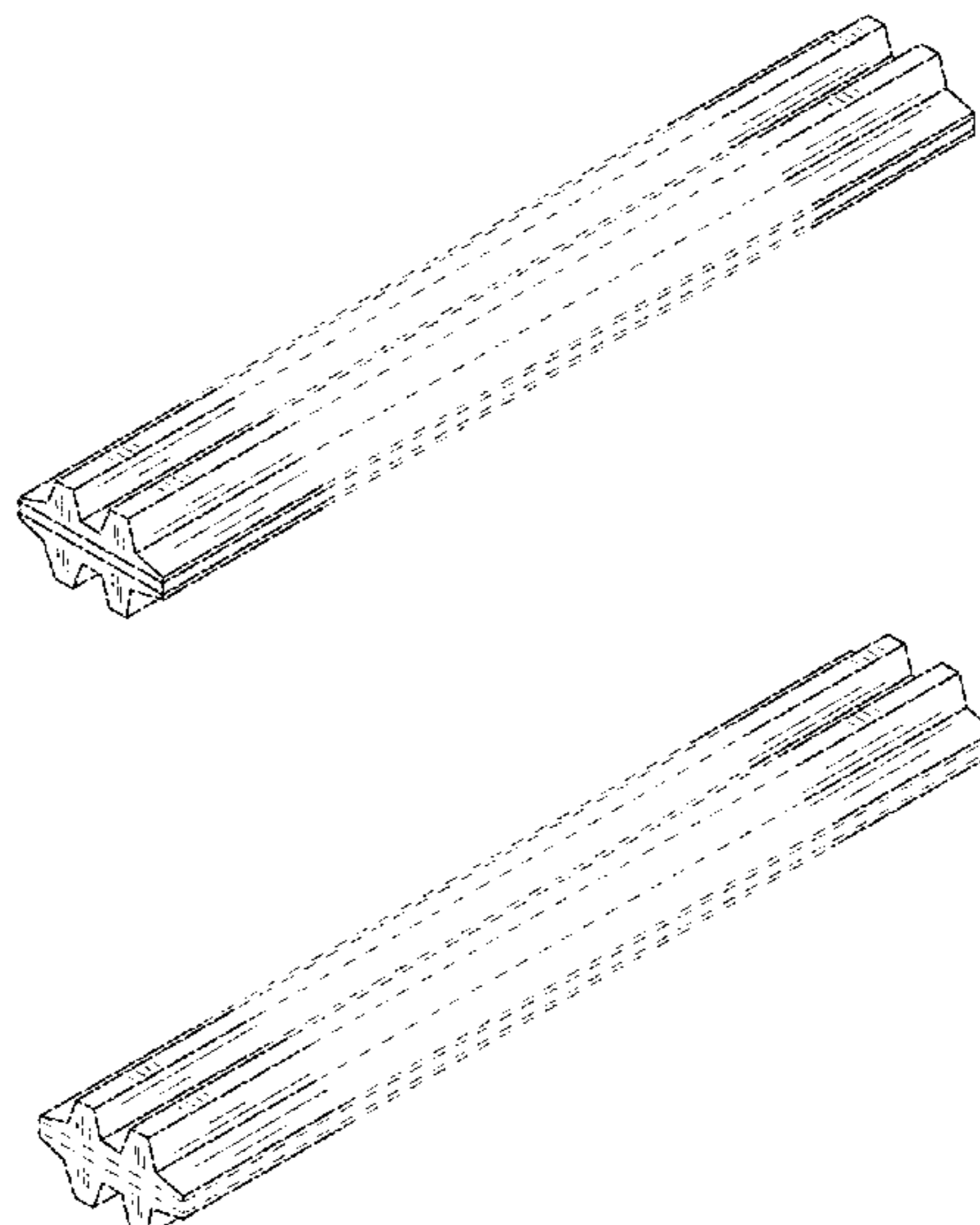
FIG. 6 is a top view of the design illustrated in FIG. 4, the bottom view being a mirror image thereof;

FIG. 7 is a left end view of the design illustrated in FIG. 4, the right end view being a mirror image thereof; and,

FIG. 8 is a front view of the design illustrated in FIG. 4, the rear view being a mirror image thereof.

The broken lines in the drawings are for the purpose of illustrating unclaimed portions of the animal treat and form no part of the claimed design.

**1 Claim, 4 Drawing Sheets**



(56)

**References Cited**

U.S. PATENT DOCUMENTS

D536,537 S *	2/2007	Ping Sheng .....	D5/99	D603,136 S	11/2009	Unlu et al.
D538,506 S	3/2007	Mendes et al.		D614,830 S	5/2010	Unlu et al.
D585,177 S	1/2009	Wylie		D618,428 S	6/2010	Unlu et al.
D586,534 S	2/2009	Oelsner et al.		D649,740 S	12/2011	Bredin et al.
D591,926 S *	5/2009	Jia et al. ....	D1/125	8,124,156 B2	2/2012	Axelrod
D593,277 S	6/2009	Wylie		D658,347 S	5/2012	Maia
D603,135 S	11/2009	Unlu et al.		D658,847 S	5/2012	Wylie
				D658,848 S	5/2012	Wylie
				D661,867 S	6/2012	Wolfe, Jr. et al.
				2010/0260905 A1	10/2010	Axelrod

\* cited by examiner

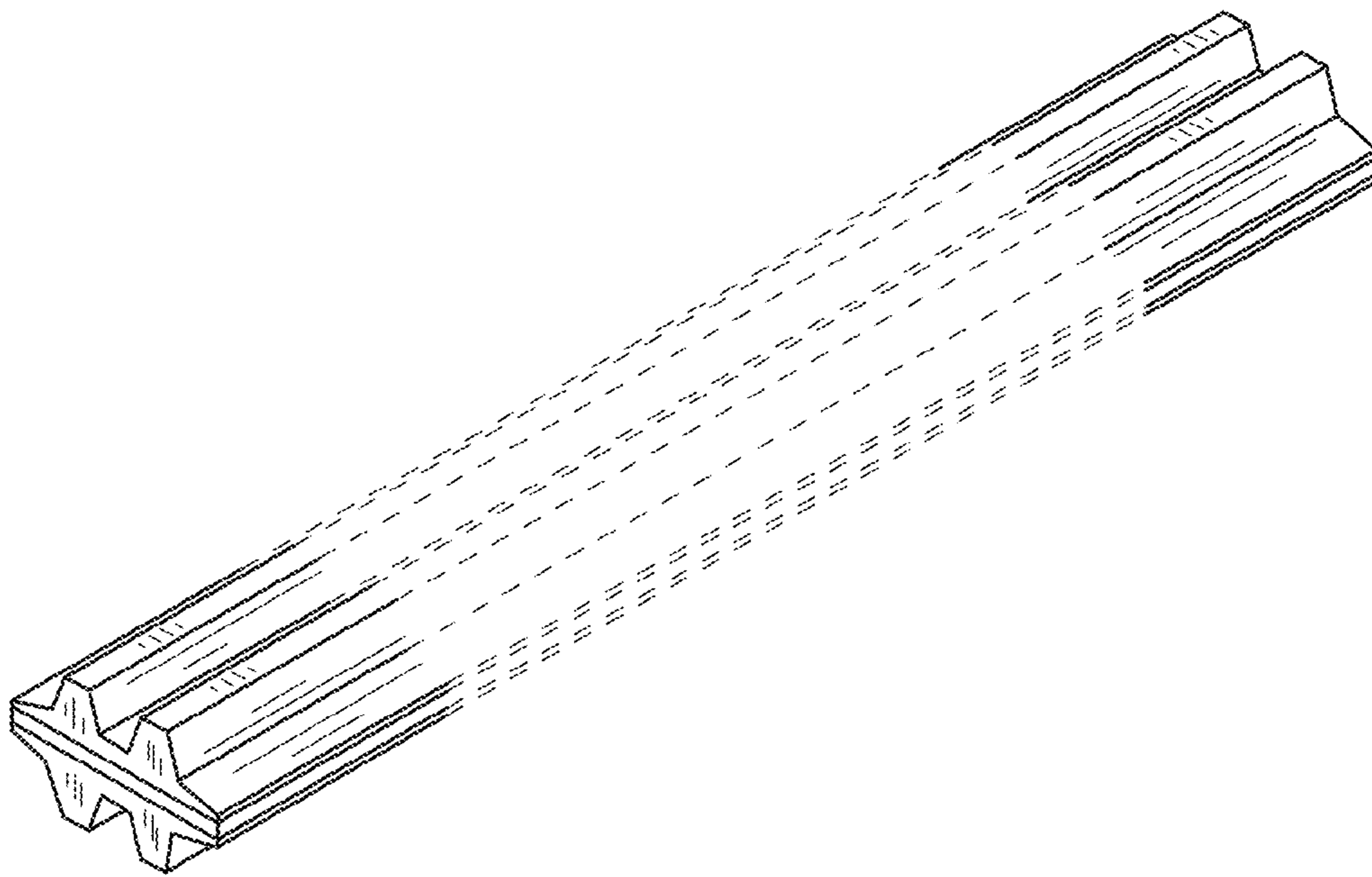


FIG. 1

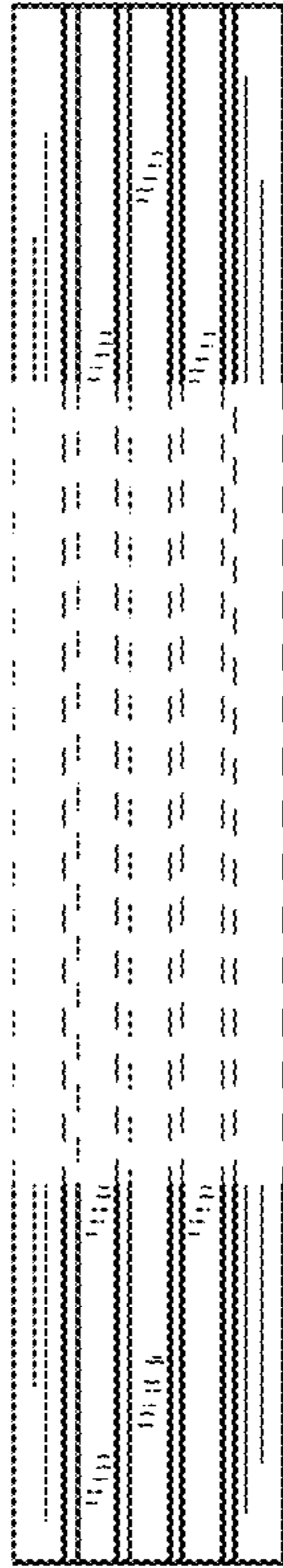


FIG. 2

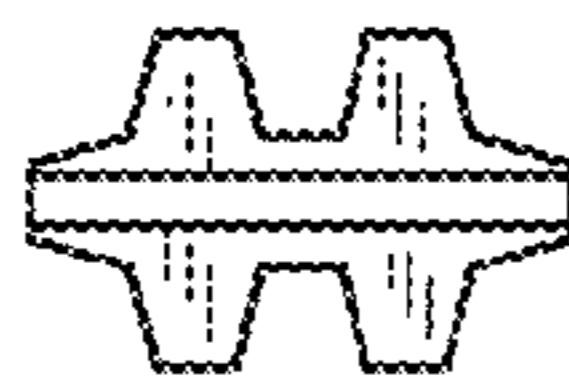


FIG. 3

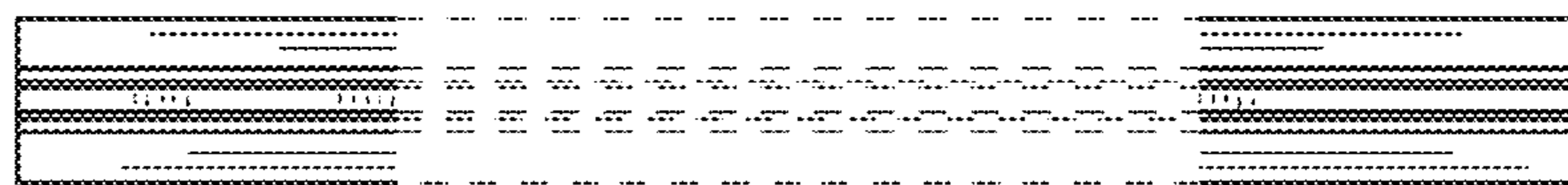


FIG. 4

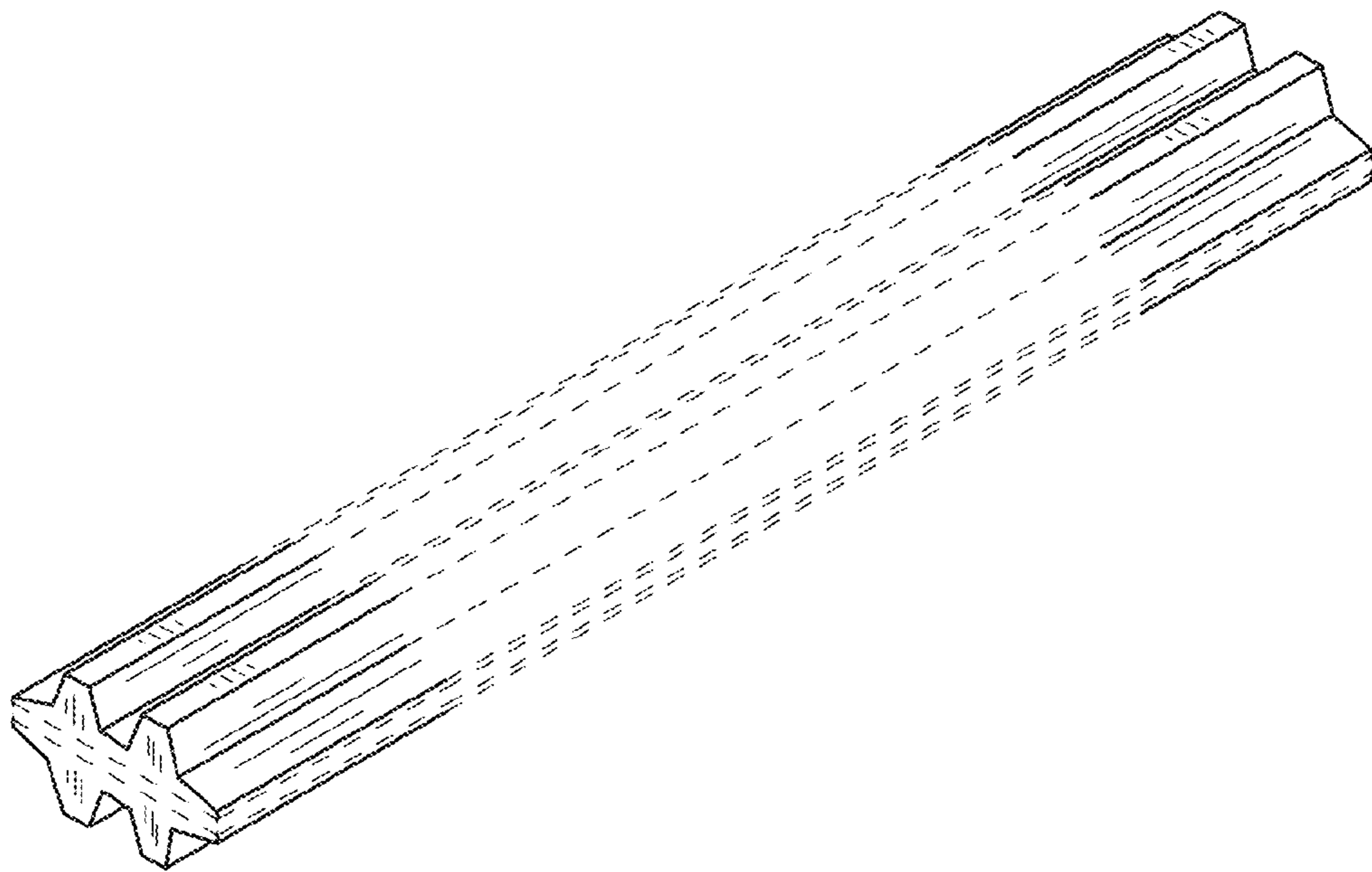


FIG.5

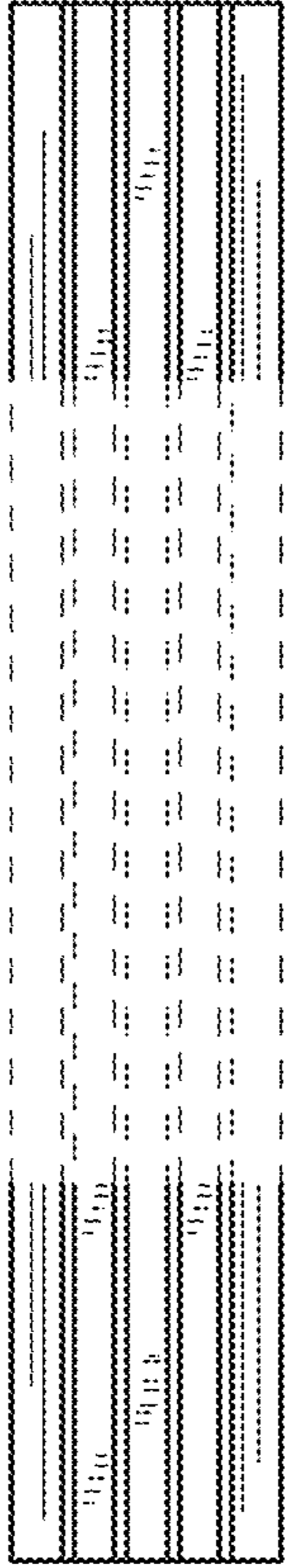


FIG. 6

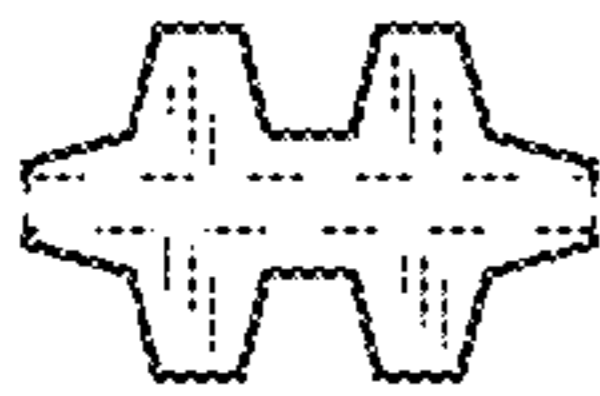


FIG. 7

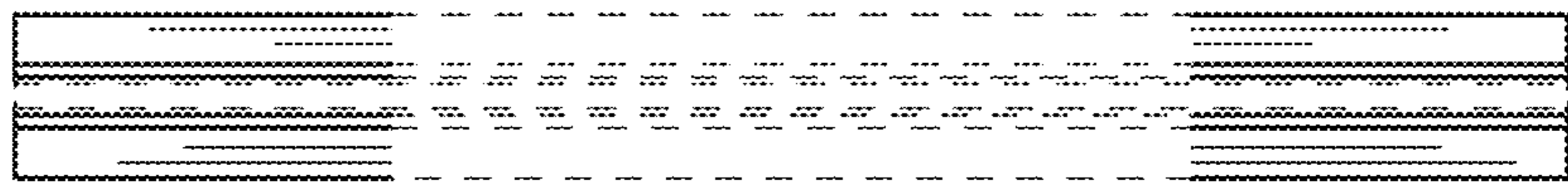


FIG. 8