



US00D726990S

(12) **United States Design Patent**
Aziz et al.

(10) **Patent No.:** **US D726,990 S**
(45) **Date of Patent:** **** Apr. 14, 2015**

(54) **DROP BOX**

(75) Inventors: **Imraan Aziz**, Oakland, CA (US);
William G. Tammen, San Francisco,
CA (US); **Michael J. Strasser**, San
Francisco, CA (US); **Troy E. Stevens**,
San Francisco, CA (US); **Jochen Backs**,
San Francisco, CA (US); **P. Cameron**
Imani, Alameda, CA (US); **Ping-Chan**
Lin, San Francisco, CA (US)

(73) Assignee: **Federal Express Corporation**, TN (US)

(**) Term: **14 Years**

(21) Appl. No.: **29/423,226**

(22) Filed: **May 30, 2012**

(51) **LOC (10) Cl.** **99-00**

(52) **U.S. Cl.**
USPC **D99/29**

(58) **Field of Classification Search**

CPC E05B 65/0075; E05G 1/00; E05G 1/005;
E05G 1/02; E05G 1/026; E05G 2700/00;
E05G 2700/02; E05G 1/024; G07D 11/0006;
G07D 11/0009; G07D 11/0015; G07F 9/06;
A47G 29/14; A47G 29/16; A47G 29/20;
A47G 29/1203; A47G 29/12; A47G 29/1201;
A47G 29/1209; A45C 1/12; G07C 13/02
USPC D99/28, 29, 31, 32, 33, 99; D20/1, 2, 4,
D20/5, 6; 109/1 V, 45, 58, 59 R, 66; 70/63,
70/77, 78; 312/35; 232/1 R, 1 A, 1 B, 1 C,
232/4 R, 2, 17, 19, 20, 21, 24, 27, 30, 31, 45
See application file for complete search history.

(56) **References Cited**

U.S. PATENT DOCUMENTS

450,379 A * 4/1891 Sinolaire 232/51
613,560 A * 11/1898 Crisp 232/20
D195,373 S * 6/1963 Dwyer D99/28
D279,724 S * 7/1985 Stacy D99/29

D354,610 S * 1/1995 Hassan D99/29
D354,827 S * 1/1995 Filipak et al. D99/29
D374,461 S * 10/1996 Greenlee D20/10
D468,887 S * 1/2003 Shreve D99/29
D512,804 S * 12/2005 Wilson et al. D99/29
7,320,427 B2 * 1/2008 Prestwich 232/51
D569,074 S * 5/2008 Irwin et al. D99/29
D575,474 S * 8/2008 Williams D99/29
7,428,980 B2 * 9/2008 Irwin et al. 232/45
D593,275 S * 5/2009 Williams D99/29
8,025,246 B1 * 9/2011 Brown 241/100
8,573,473 B1 * 11/2013 Farentinos et al. 232/51
D702,915 S * 4/2014 Steele D99/29
2008/0067227 A1 * 3/2008 Poss et al. 232/17

OTHER PUBLICATIONS

Specification sheet for FedEx MP1-Plastic Interior Tracker Drop
Box; 1997.

* cited by examiner

Primary Examiner — Elizabeth J Oswecki

(74) *Attorney, Agent, or Firm* — Finnegan, Henderson,
Farabow, Garrett & Dunner, LLP

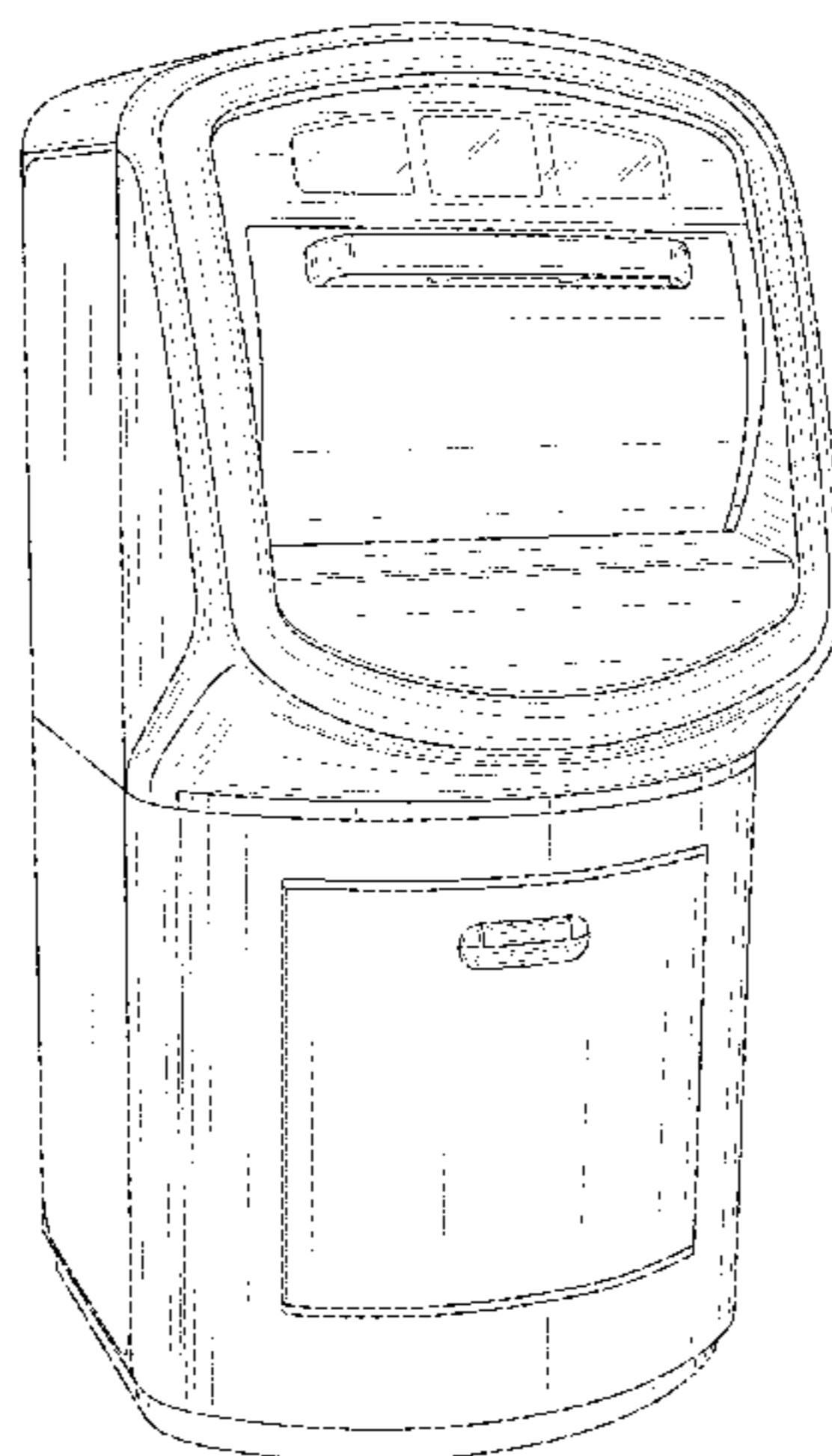
(57) **CLAIM**

The ornamental design for a drop box, as shown and
described.

DESCRIPTION

FIG. 1 is an left front perspective view of a drop box showing
our new design, with the right front perspective view being a
mirror image thereof;
FIG. 2 is a front elevation view thereof,
FIG. 3 is a left side view thereof, with the right side view being
a mirror image thereof;
FIG. 4 is a rear view thereof; and,
FIG. 5 is a top plan view thereof.
The bottom view forms no part of the claimed invention. The
broken lines of even length shown in the drawings illustrate
portions of the drop box that form no part of the claimed
design.

1 Claim, 5 Drawing Sheets



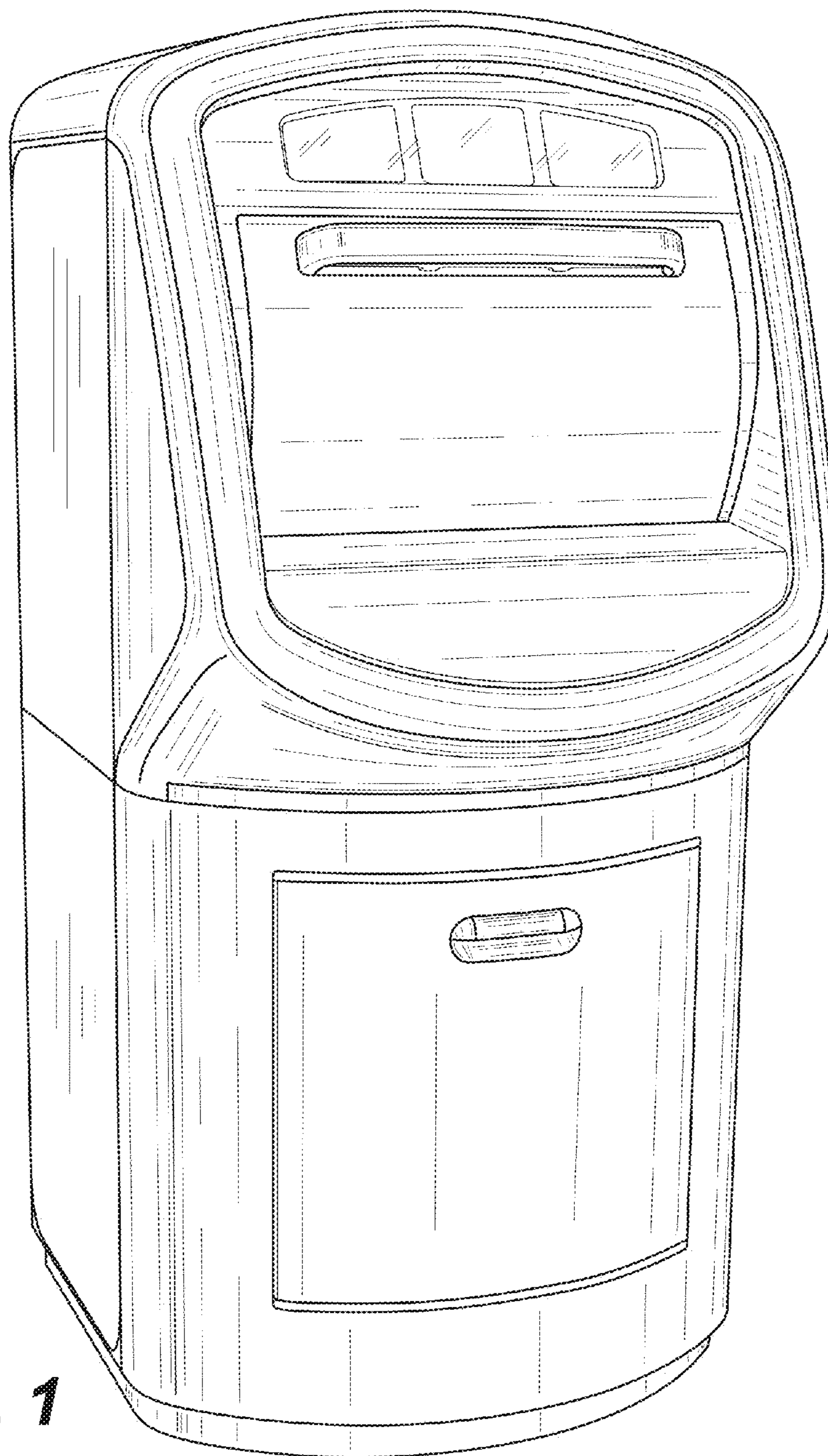


FIG. 1

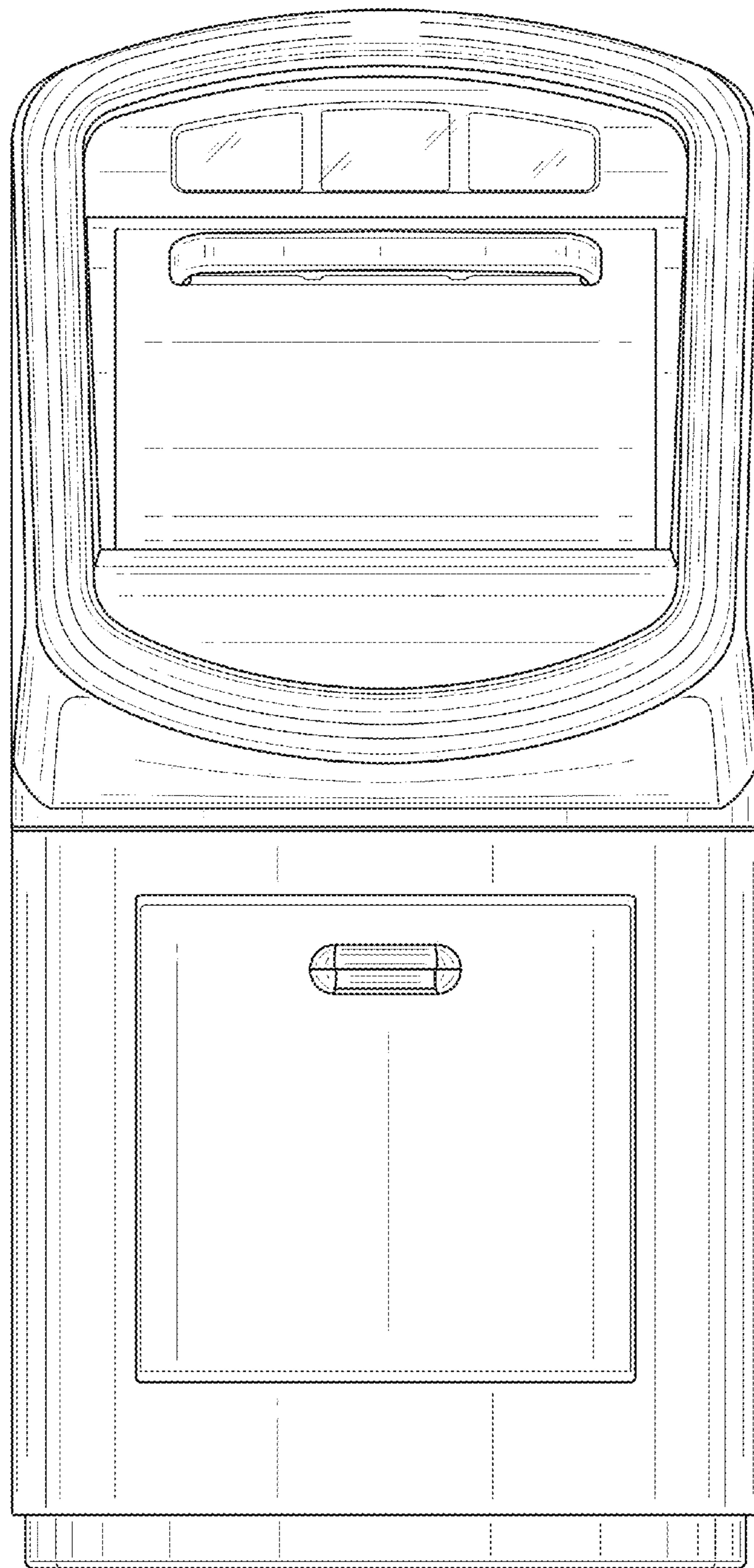


FIG. 2

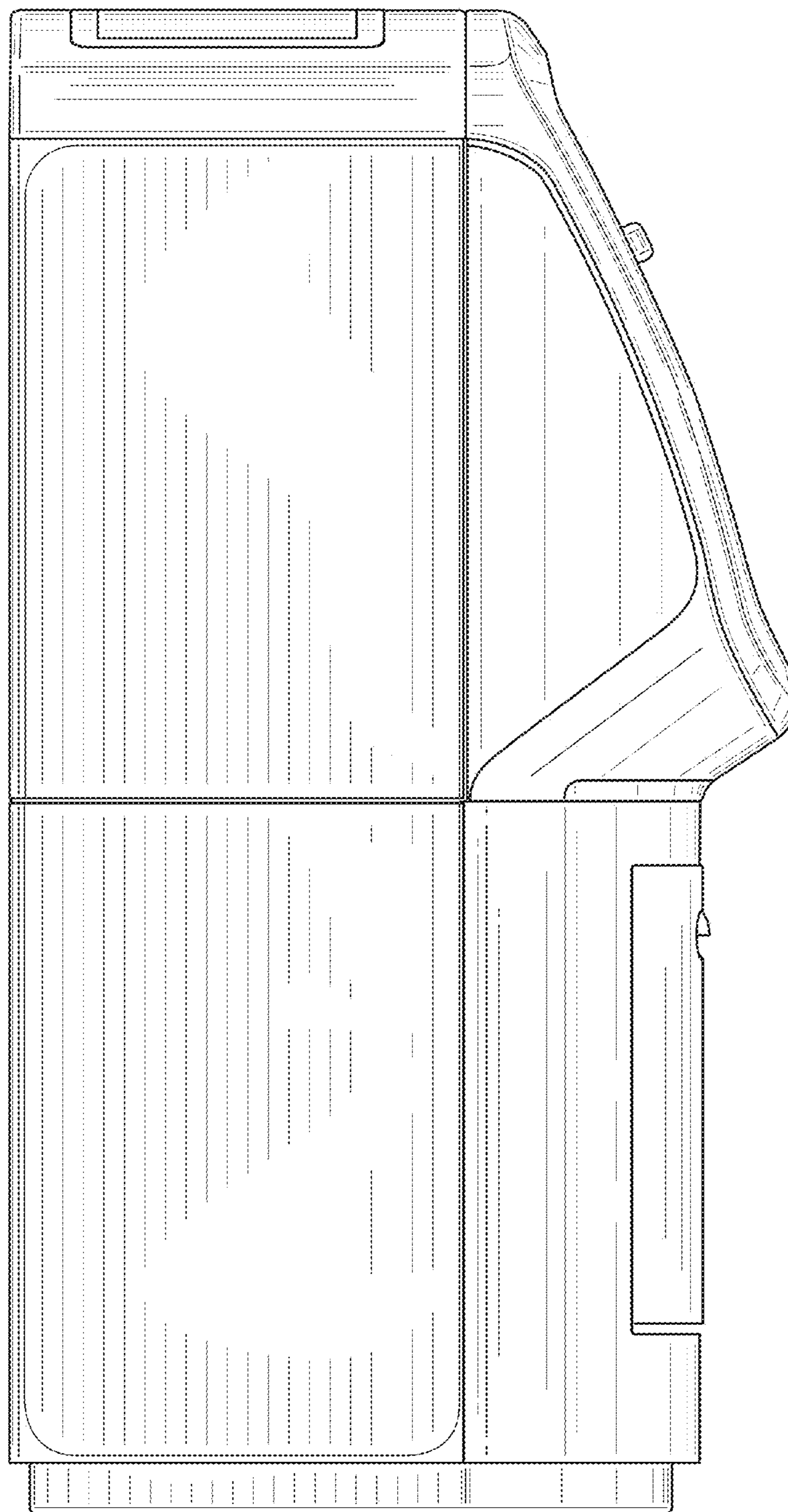


FIG. 3

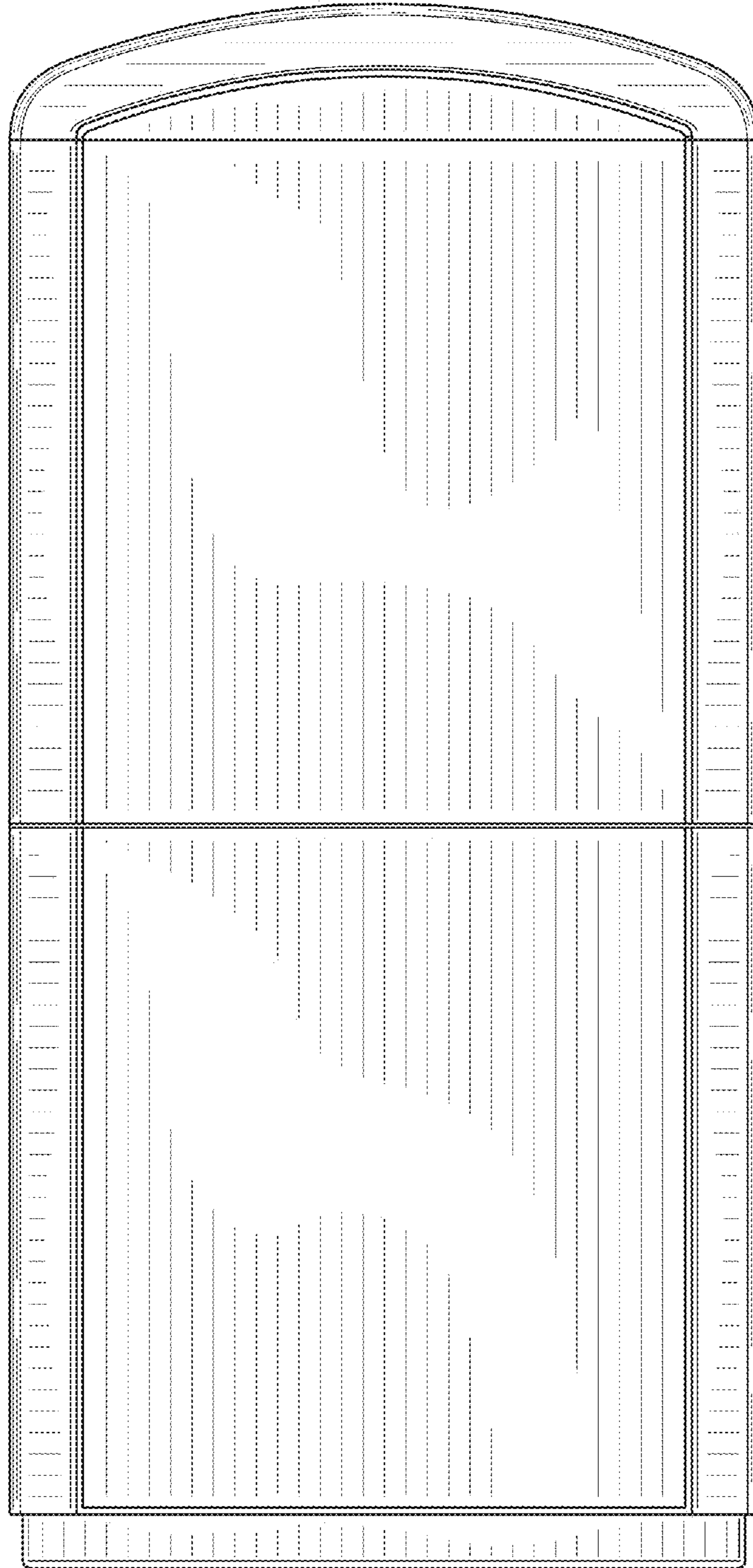


FIG. 4

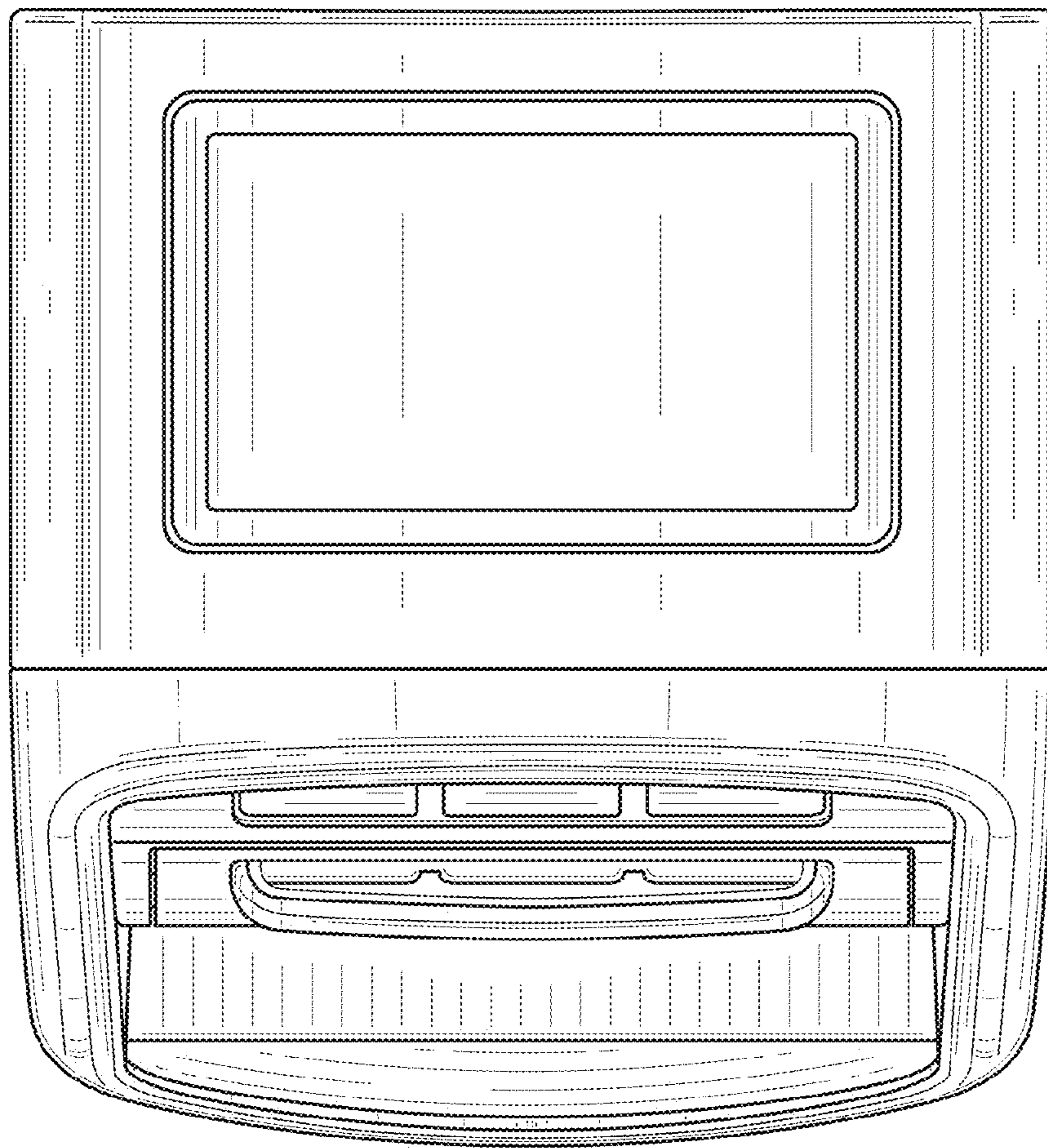


FIG. 5

UNITED STATES PATENT AND TRADEMARK OFFICE
CERTIFICATE OF CORRECTION

PATENT NO. : D726,990 S
APPLICATION NO. : 29/423226
DATED : April 14, 2015
INVENTOR(S) : Imraan Aziz et al.

Page 1 of 1

It is certified that error appears in the above-identified patent and that said Letters Patent is hereby corrected as shown below:

Title page, item (57), DESCRIPTION, "FIG. 1 is an left front perspective view of a drop box showing our new design, with the right front perspective view being a mirror image thereof;" should read
-- FIG. 1 is a left front perspective view of a drop box showing our new design, with the right front perspective view being a mirror image thereof; --

Signed and Sealed this
Eleventh Day of August, 2015



Michelle K. Lee
Director of the United States Patent and Trademark Office