



US00D726989S

(12) **United States Design Patent**  
**Martinez Martinez**

(10) **Patent No.:** **US D726,989 S**  
(45) **Date of Patent:** **\*\* Apr. 14, 2015**

- (54) **LIFTING JACK**
- (71) Applicant: **Antonio Martinez Martinez, Berriz**  
(ES)
- (72) Inventor: **Antonio Martinez Martinez, Berriz**  
(ES)
- (73) Assignee: **Melchor Gabilondo, S.A., Berriz**  
(Vizcaya) (ES)
- (\*\*) Term: **14 Years**
- (21) Appl. No.: **29/490,288**
- (22) Filed: **May 8, 2014**

3,735,958	A *	5/1973	Hollingsworth	.....	254/2 R
D269,473	S *	6/1983	Jonsson	.....	D34/31
5,156,375	A *	10/1992	Liegel et al.	.....	254/134
D388,925	S *	1/1998	Hulegaard et al.	.....	D34/31
5,975,496	A *	11/1999	Hong et al.	.....	254/2 R
D461,615	S *	8/2002	Bainter	.....	D34/31
6,581,908	B1 *	6/2003	Francis	.....	254/2 B
D527,509	S *	8/2006	Johns	.....	D34/31
D537,604	S *	2/2007	Redman	.....	D34/31
D569,574	S *	5/2008	Turner	.....	D34/31
D592,822	S *	5/2009	Boucher et al.	.....	D34/31
D634,914	S *	3/2011	Marroquin	.....	D34/31
D636,553	S *	4/2011	Finkbeiner	.....	D34/28
D656,289	S *	3/2012	Crump	.....	D34/31
8,231,108	B2 *	7/2012	Realegeno-Amaya	.....	254/134
D679,883	S *	4/2013	Bucknor	.....	D34/31
D680,914	S *	4/2013	Greenblatt et al.	.....	D12/115

\* cited by examiner

(30) **Foreign Application Priority Data**

Nov. 8, 2013 (EM) ..... 002341511

(51) **LOC (10) Cl.** ..... **12-05**

(52) **U.S. Cl.**  
USPC ..... **D34/31**

(58) **Field of Classification Search**  
CPC ..... B66F 7/00; B66F 7/02; B66F 9/06;  
B66F 9/00; B66F 5/04; B66F 5/00; B66F  
1/08; B66F 13/00; B66F 3/24; B66F 3/0625;  
B66C 23/48  
USPC ..... D34/31, 28; 254/8 B, 93 H, 2 R, 120,  
254/124, 426, 126, DIG. 1, 133, 134  
See application file for complete search history.

(56) **References Cited**

**U.S. PATENT DOCUMENTS**

3,682,342 A \* 8/1972 Evans ..... 414/621  
3,702,139 A \* 11/1972 Chaffin ..... 414/349

*Primary Examiner* — Cynthia Ramirez

(74) *Attorney, Agent, or Firm* — Ostrolenk Faber LLP

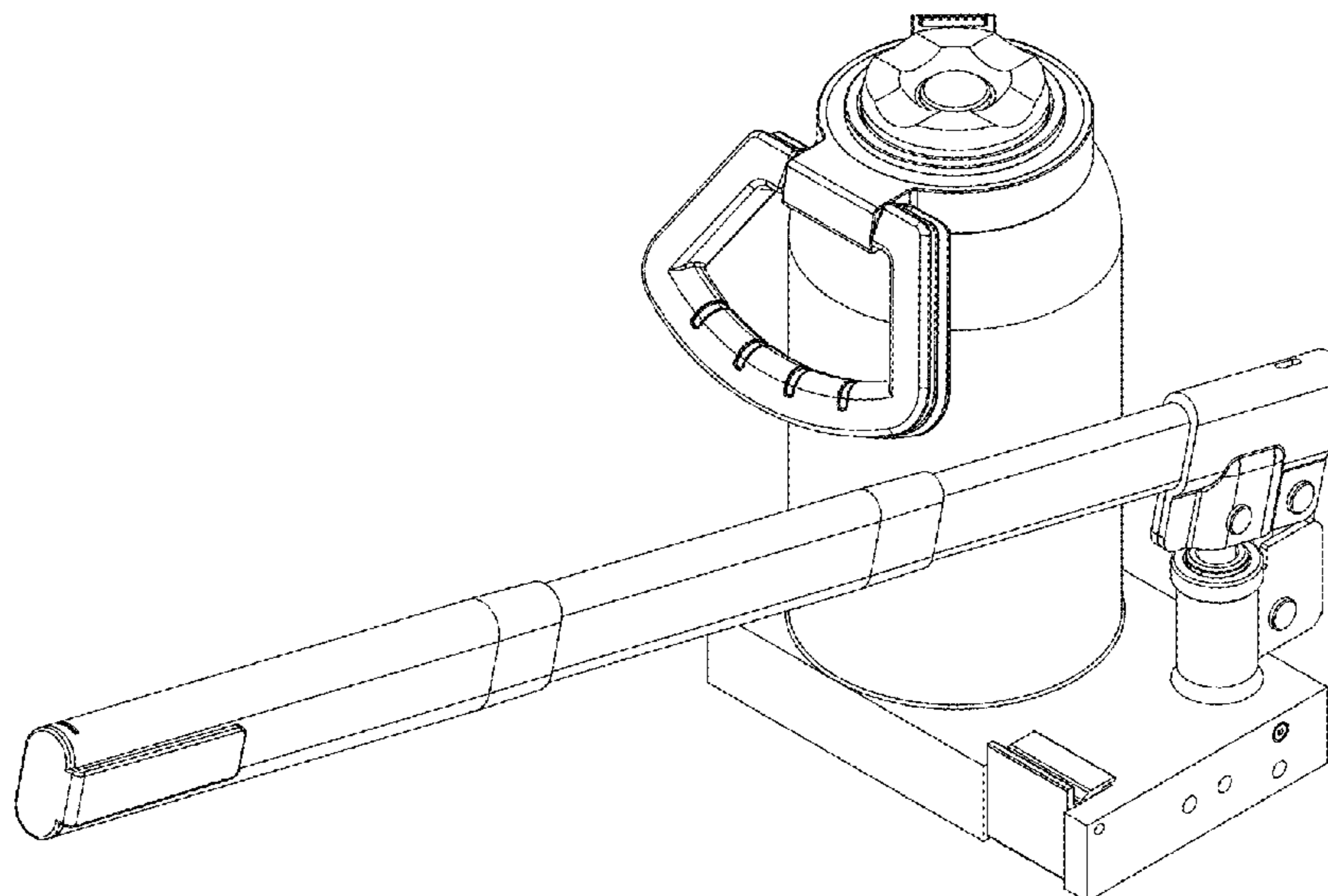
(57) **CLAIM**

The ornamental design for the lifting jack, as shown and described.

**DESCRIPTION**

FIG. 1 is a perspective right side view of a lifting jack showing my new design;  
FIG. 2 is a perspective left side view thereof;  
FIG. 3 is a front side view thereof;  
FIG. 4 is a backside view thereof;  
FIG. 5 is a left side view thereof;  
FIG. 6 is a right side view thereof; and,  
FIG. 7 is a top view thereof.

**1 Claim, 7 Drawing Sheets**



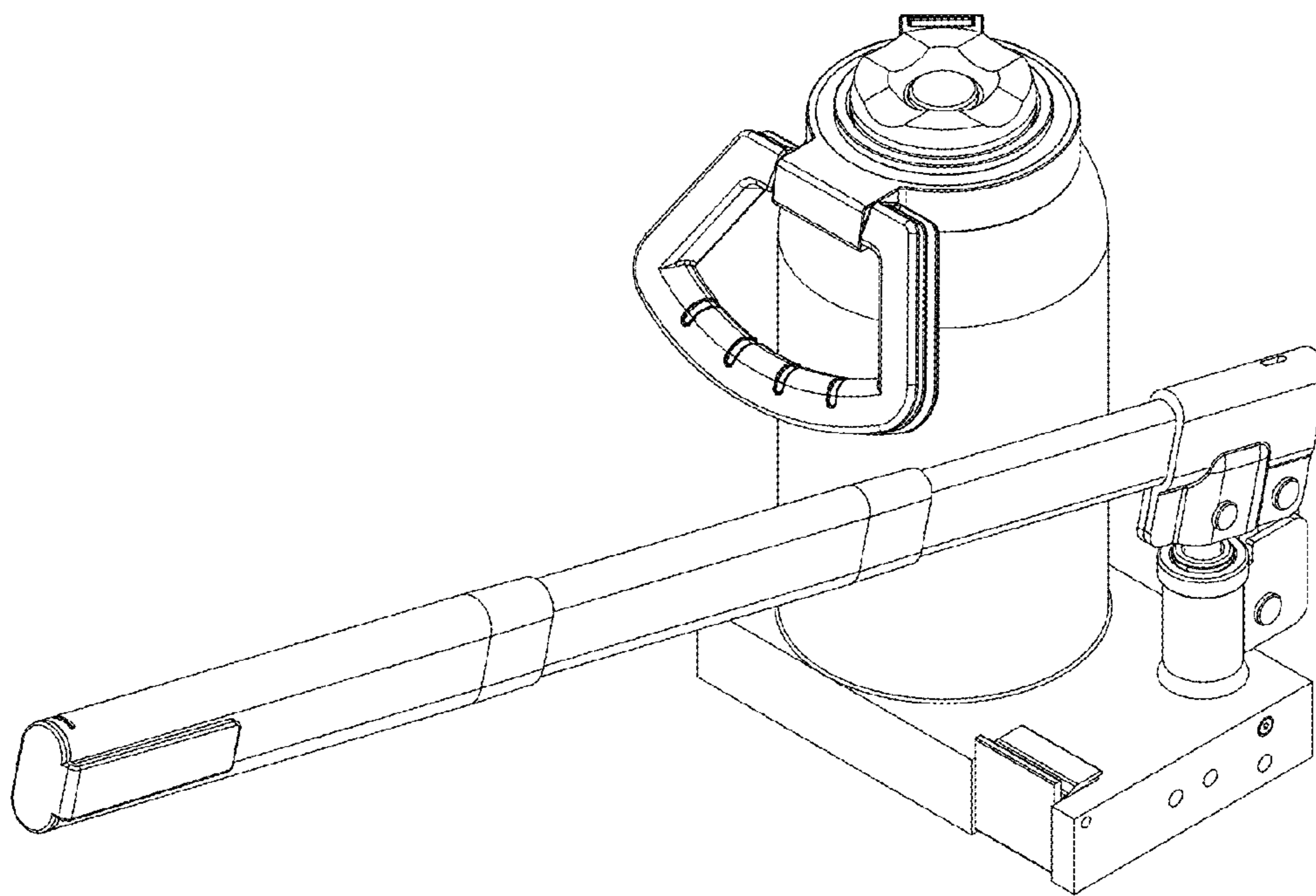


FIG. 1

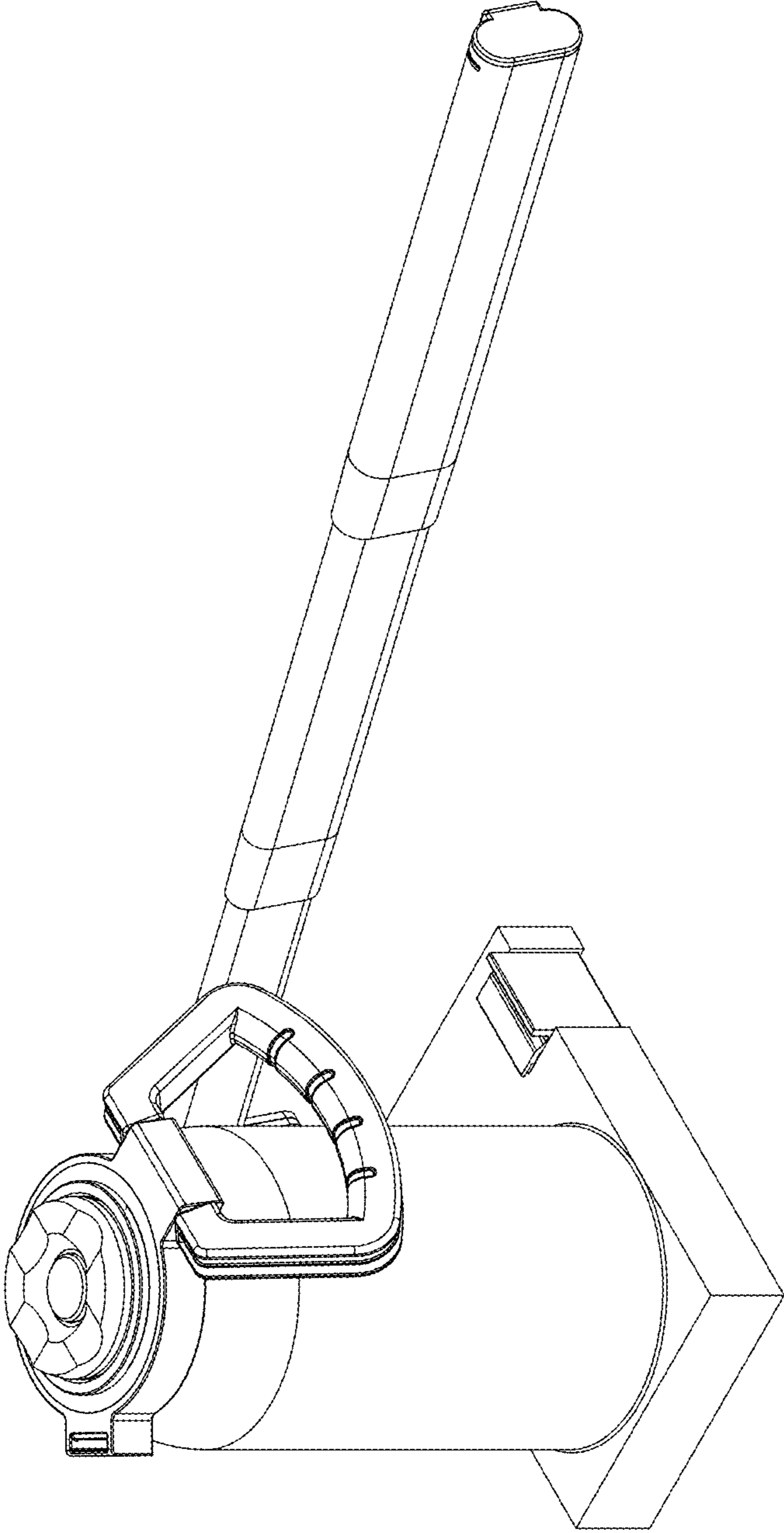


FIG. 2

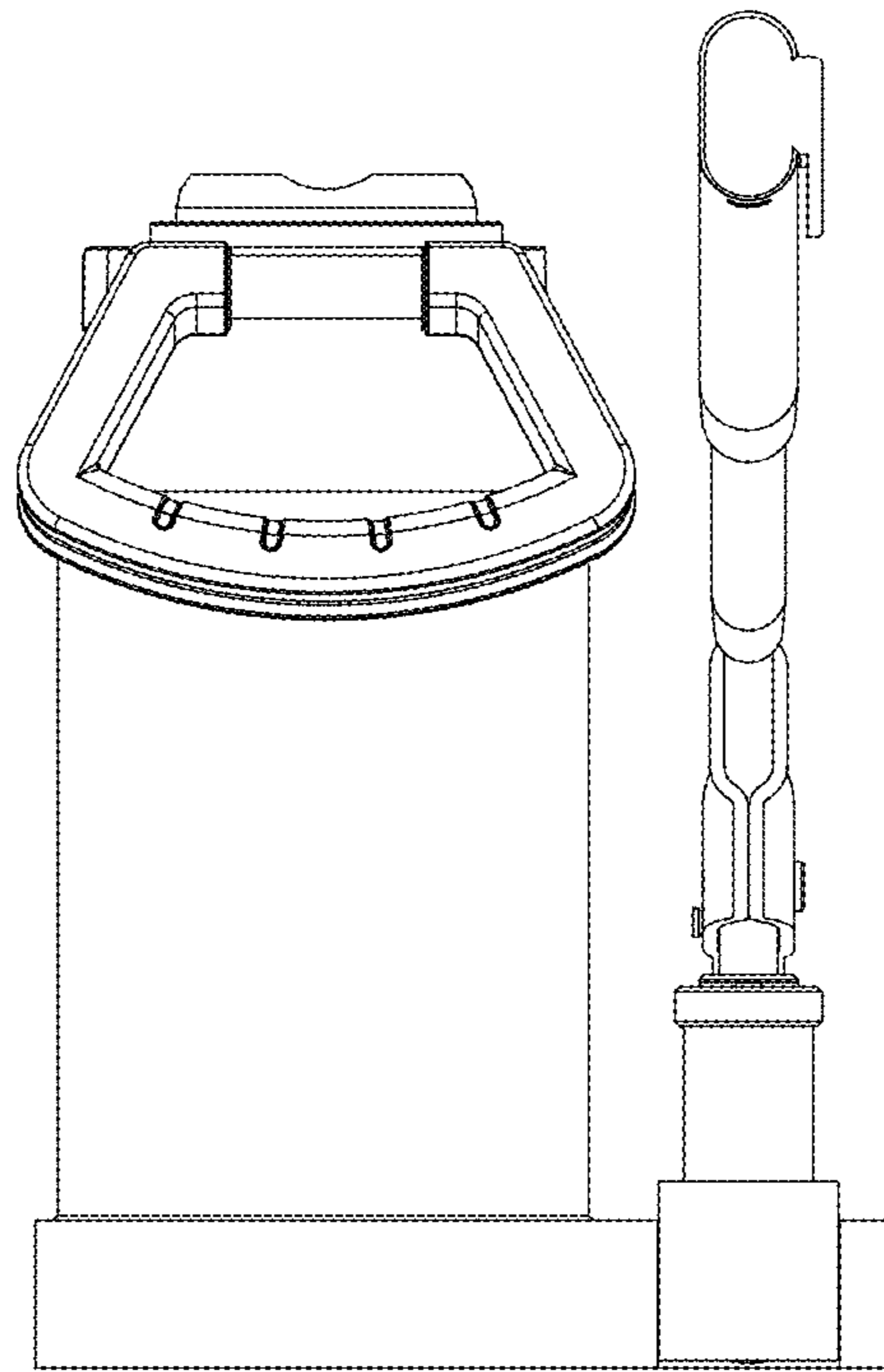


FIG. 3

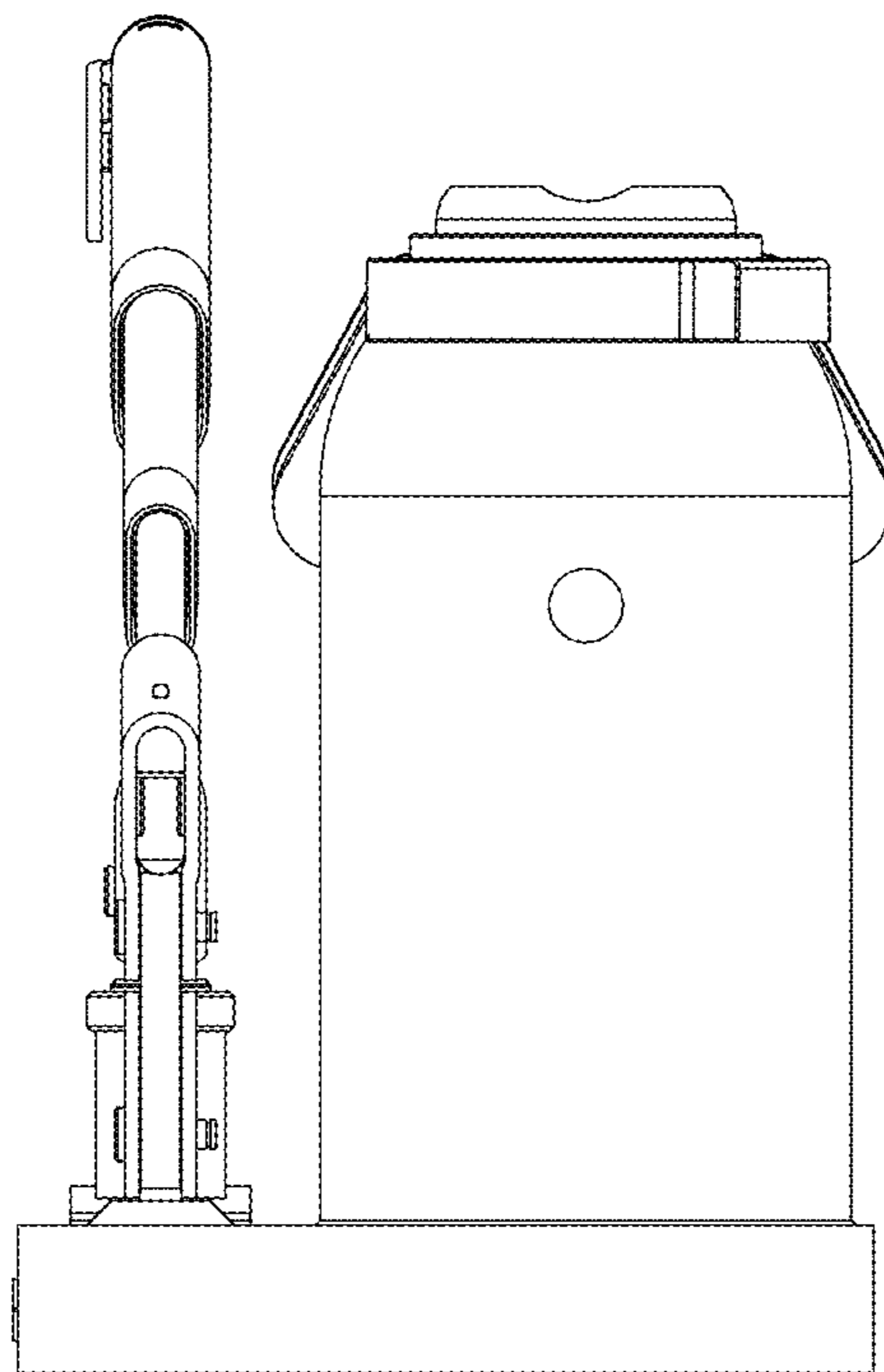


FIG. 4

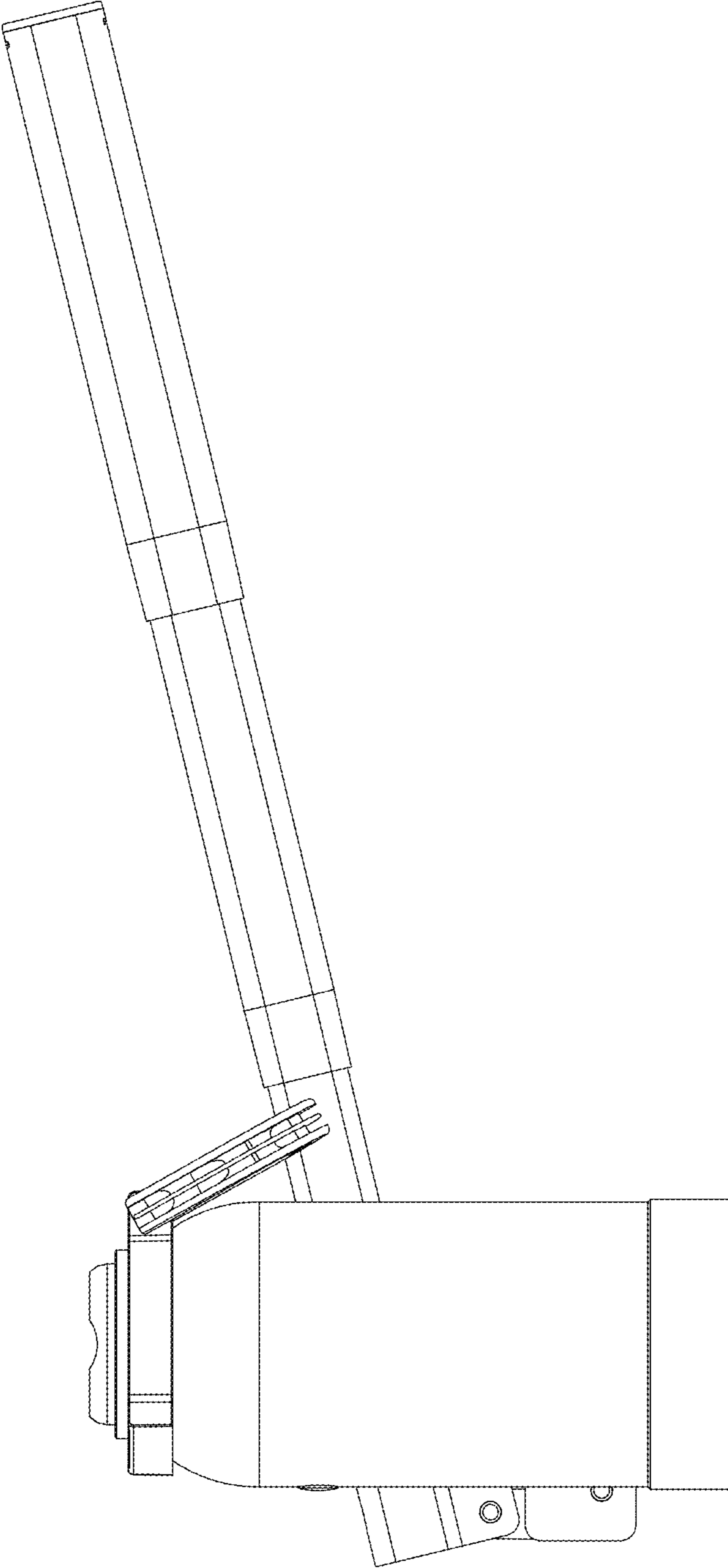


FIG. 5

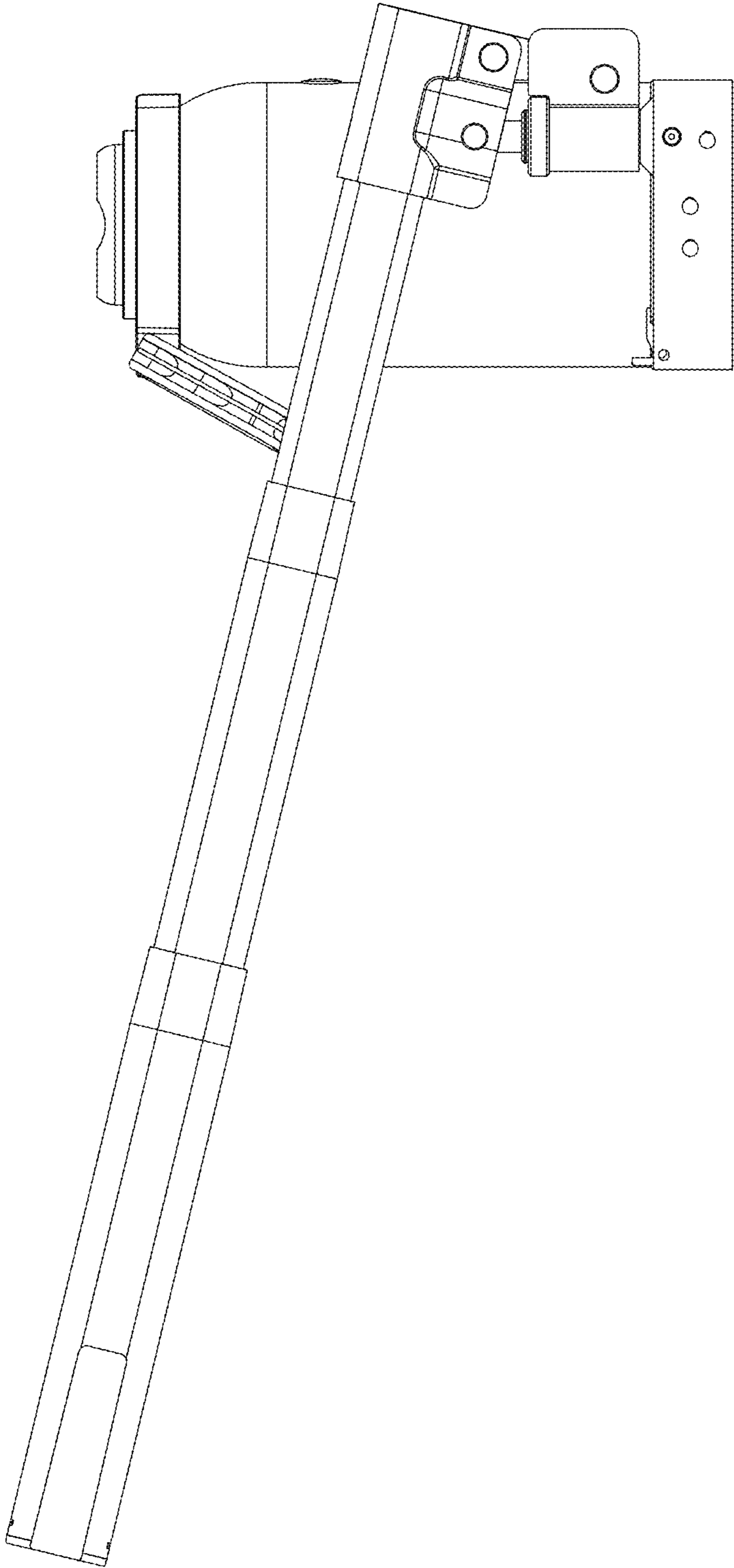


FIG. 6

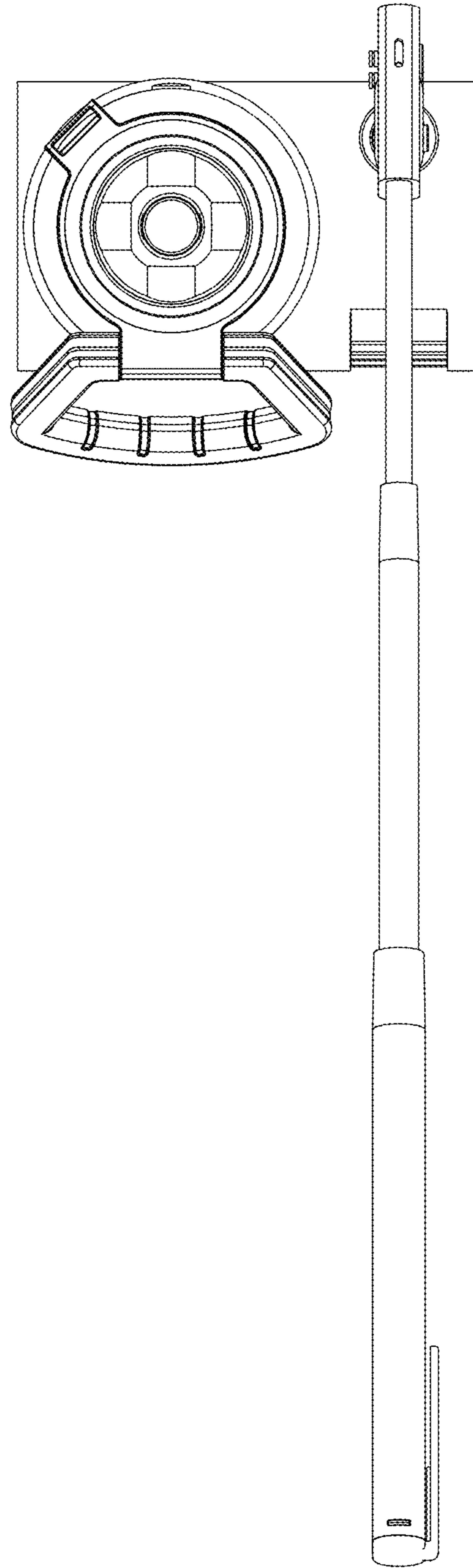


FIG. 7