



US00D726987S

(12) **United States Design Patent**
Ruiz et al.

(10) **Patent No.:** **US D726,987 S**

(45) **Date of Patent:** **** Apr. 14, 2015**

(54) **SIDE SUPPORT FOR A CART**

(71) Applicant: **Whitmor, Inc.**, Southaven, MS (US)

(72) Inventors: **Milton D. Ruiz**, Germantown, TN (US);
Sandy Felsenthal, Memphis, TN (US)

(73) Assignee: **Whitmor, Inc.**, Southaven, MS (US)

(**) Term: **14 Years**

(21) Appl. No.: **29/470,543**

(22) Filed: **Oct. 22, 2013**

(51) **LOC (10) Cl.** **12-02**

(52) **U.S. Cl.**
USPC **D34/27**

(58) **Field of Classification Search**

CPC B62B 3/002; B62B 3/006; B62B 3/10;
B62B 3/02; A47B 47/027; A47B 45/00;
A47F 5/0018; A47F 5/103
USPC D34/12-27; 280/79.3, 47.35; D6/675.1;
312/249.8, 249.13

See application file for complete search history.

(56) **References Cited**

U.S. PATENT DOCUMENTS

4,579,401 A * 4/1986 Mears 312/258
5,040,690 A * 8/1991 van der Schoot 211/135
5,411,164 A * 5/1995 Smith et al. 312/290
D409,019 S * 5/1999 Crinion D6/478

D416,147 S * 11/1999 Dickinson et al. D6/479
D445,984 S * 7/2001 Dickinson et al. D34/21
D472,689 S * 4/2003 Benn D34/27
D530,053 S * 10/2006 Bothun et al. D34/17

* cited by examiner

Primary Examiner — Cynthia Ramirez

(74) *Attorney, Agent, or Firm* — Husch Blackwell LLP

(57) **CLAIM**

We claim the ornamental design for a side support for a cart, as shown and described.

DESCRIPTION

FIG. 1 is a top perspective view of a side support for a cart showing our new design;

FIG. 2 is a front view thereof; the rear being a mirror image thereof;

FIG. 3 is a right side view thereof;

FIG. 4 is a left side view thereof;

FIG. 5 is a top view thereof;

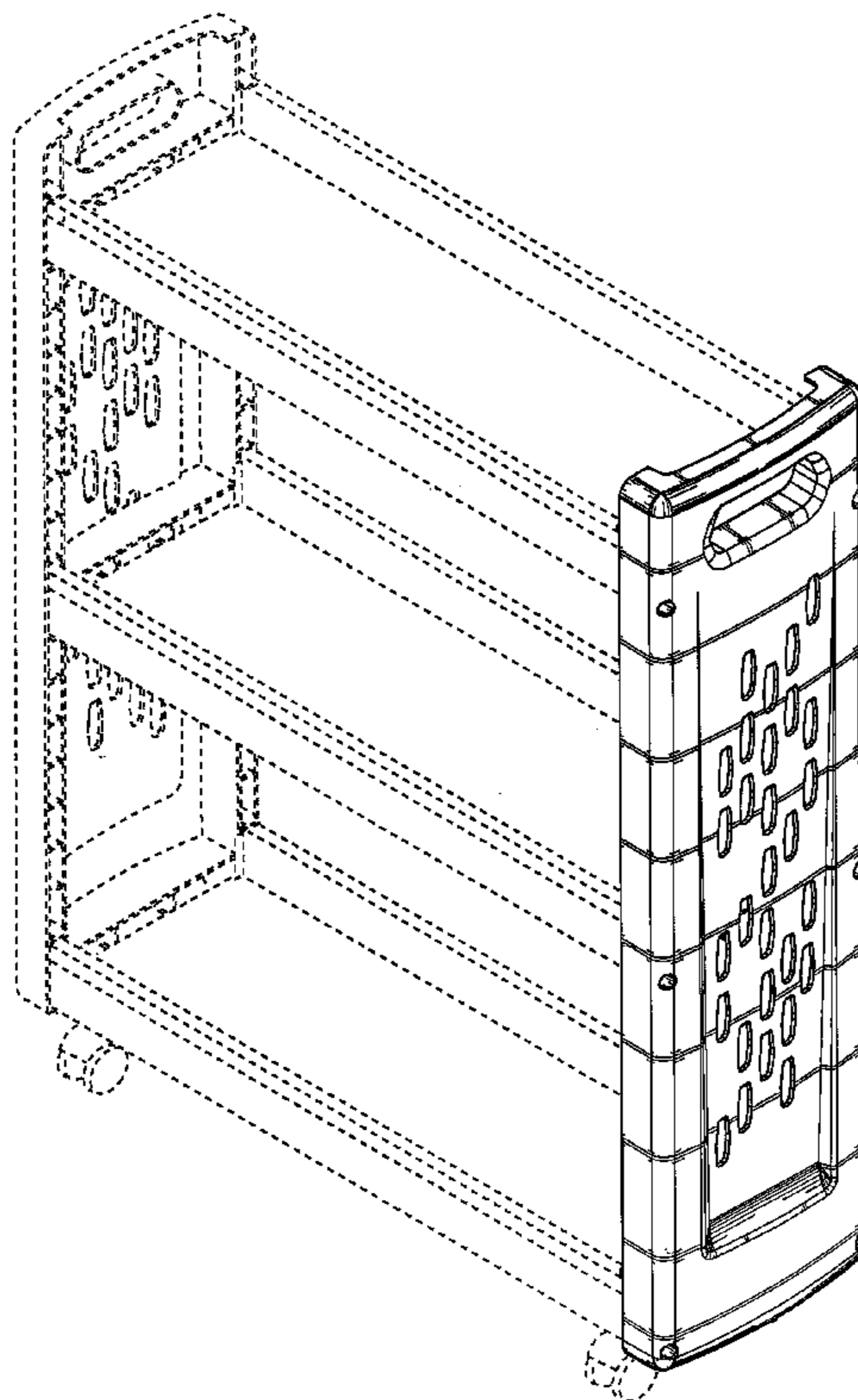
FIG. 6 is a bottom view thereof;

FIG. 7 is a perspective view showing the outside of the side support for a cart; and,

FIG. 8 is a perspective view showing the inside of the side support for a cart.

The broken lines shown in the drawing views are included for the purpose of showing environmental structure that forms no part of the claimed design.

1 Claim, 5 Drawing Sheets



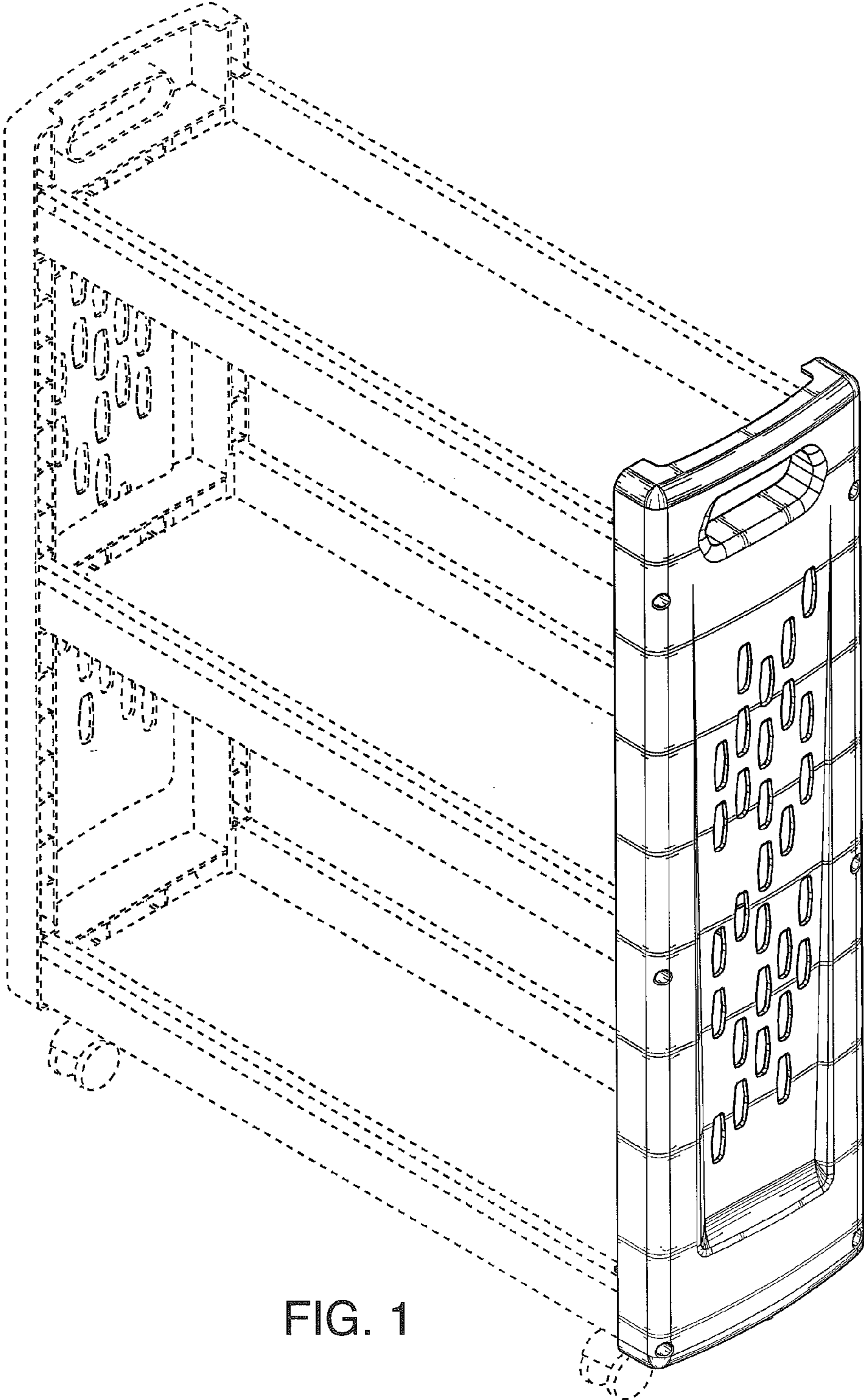


FIG. 1

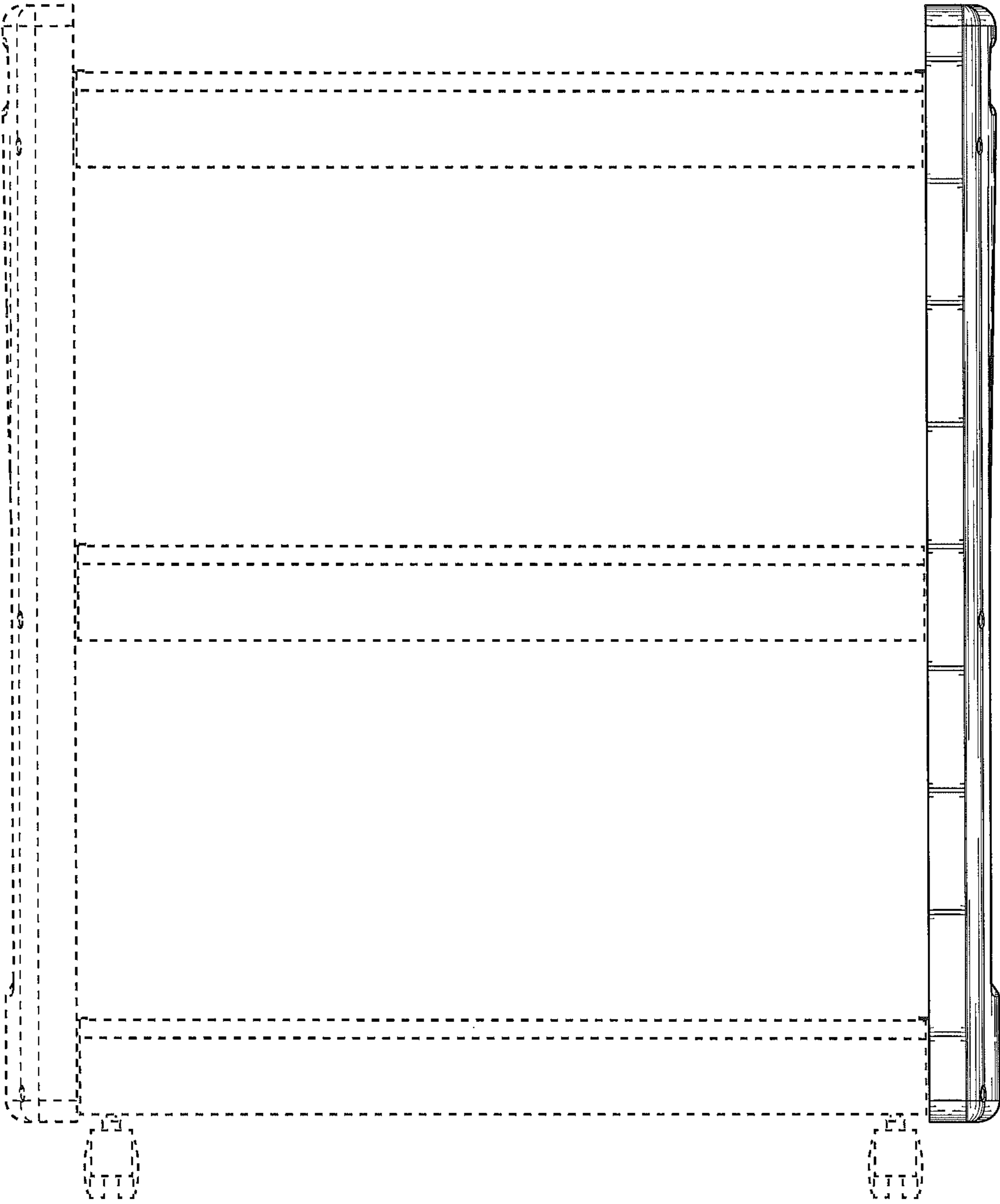


FIG. 2

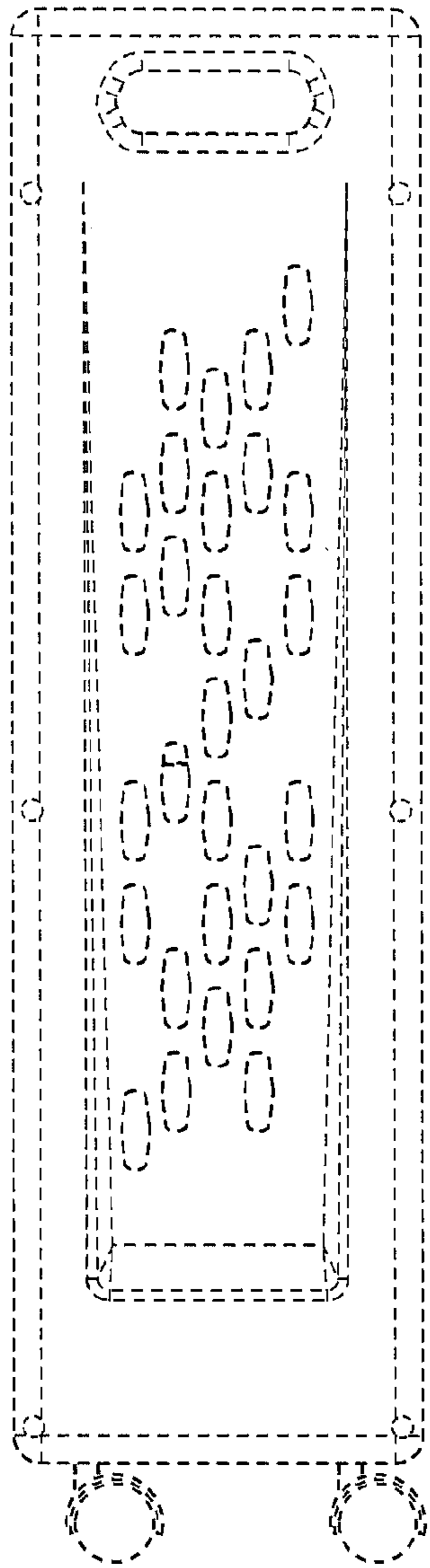


FIG. 3

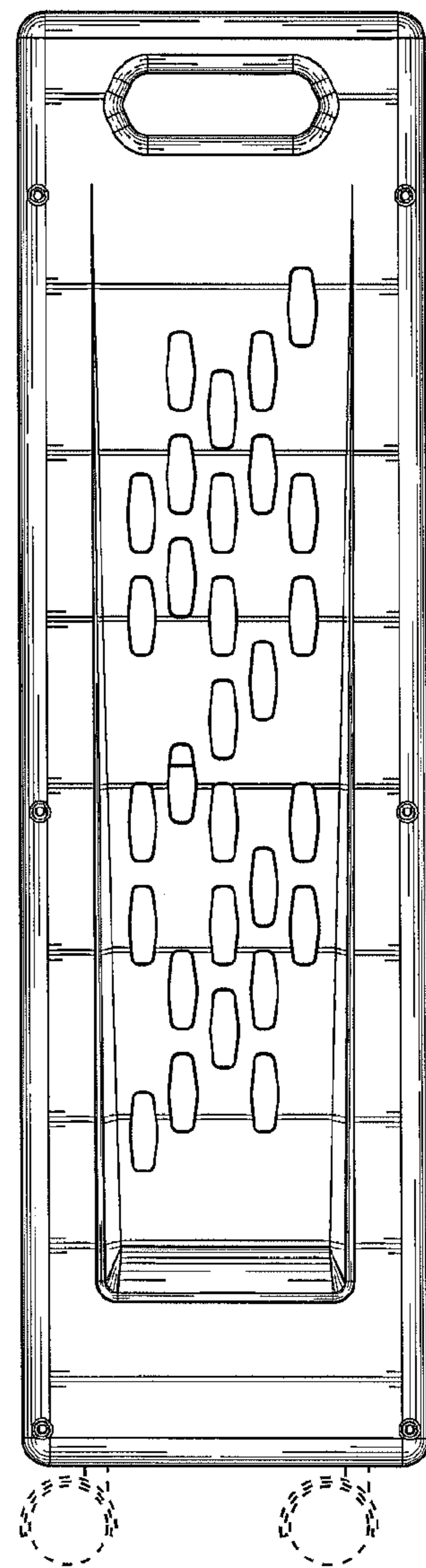


FIG. 4

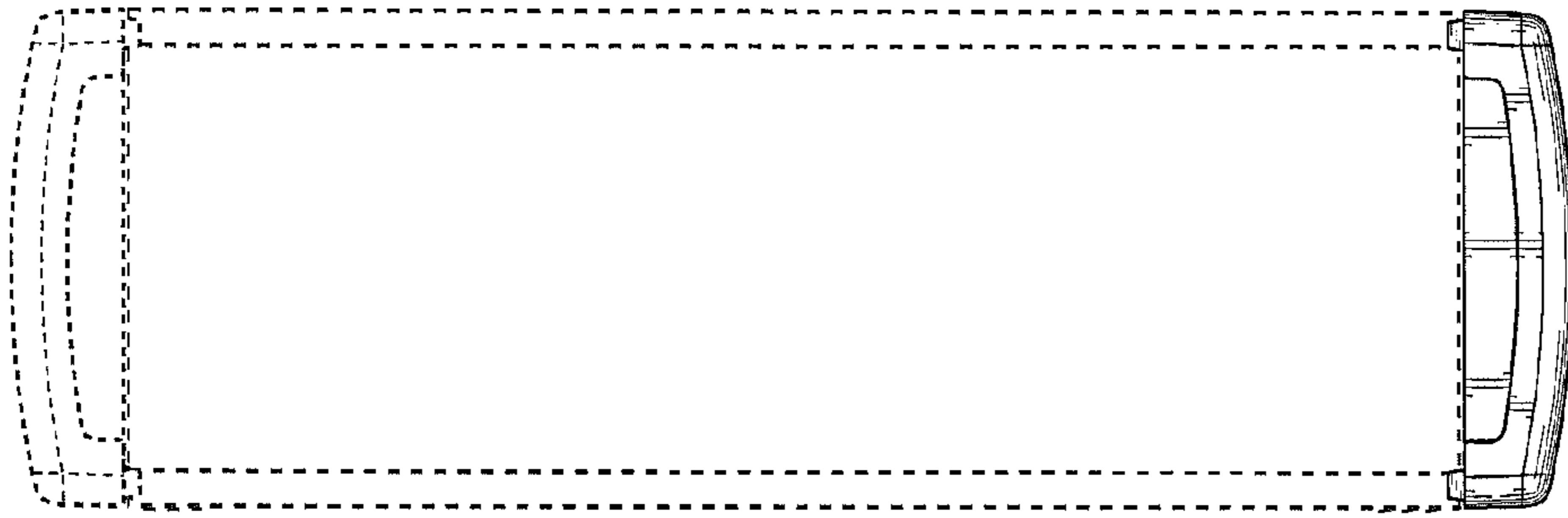


FIG. 5

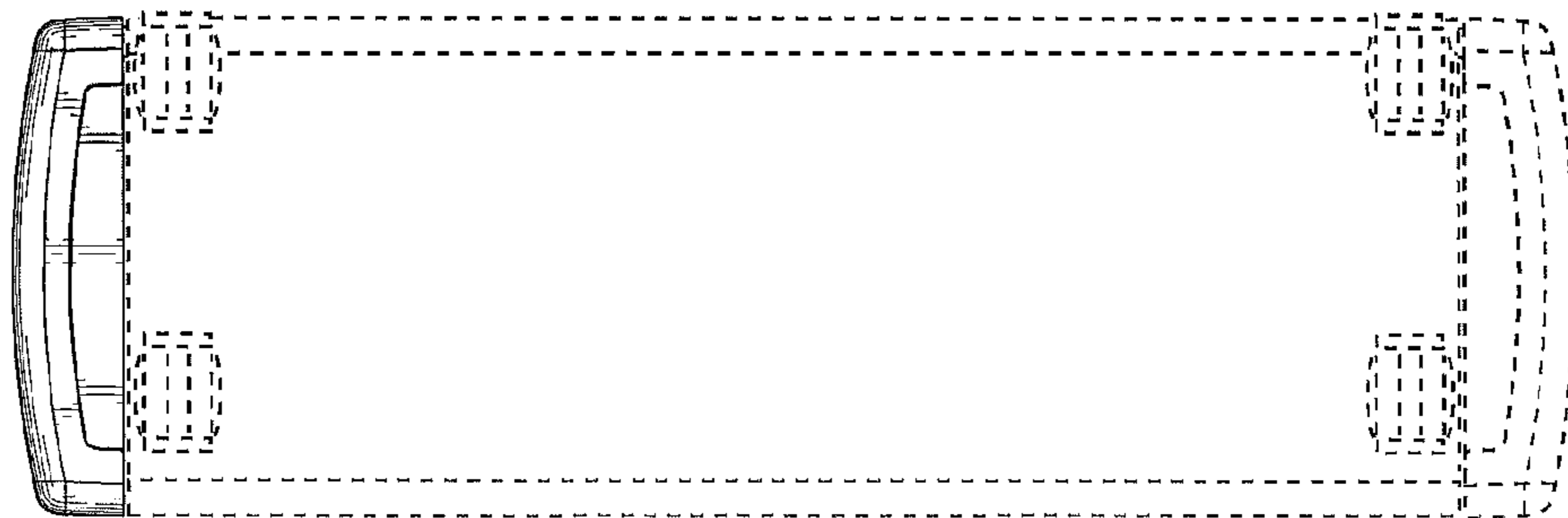


FIG. 6

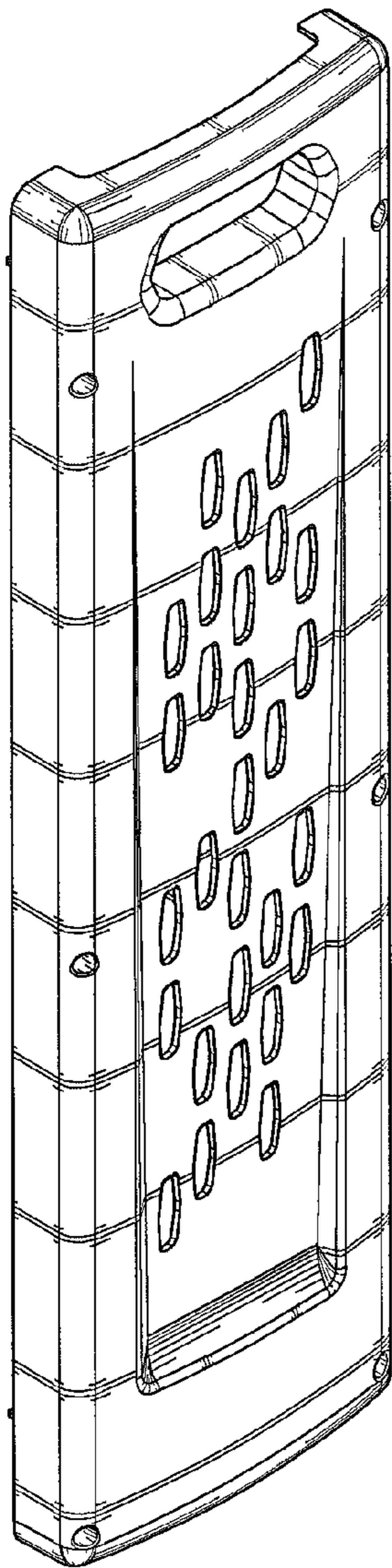


FIG. 7

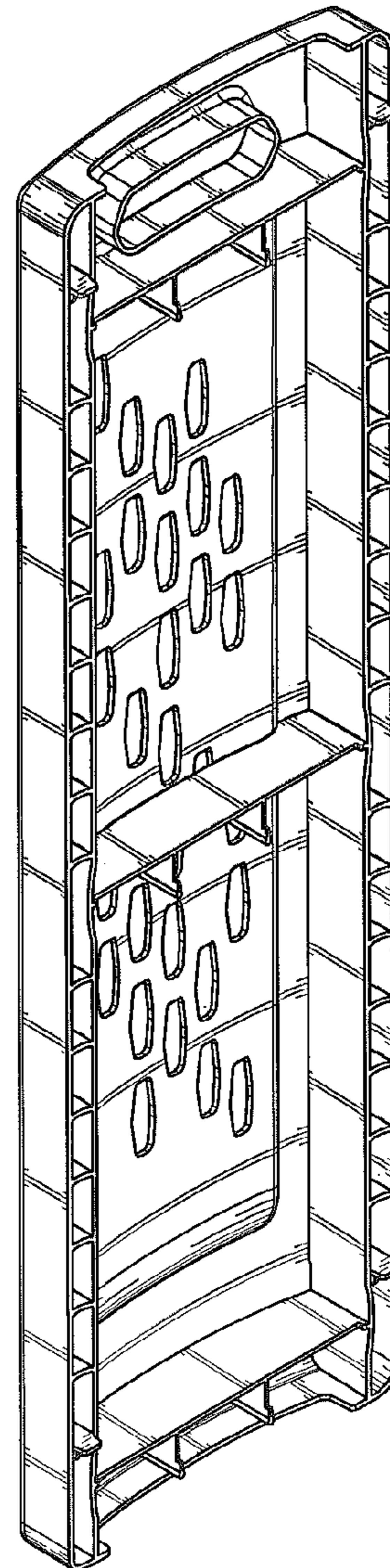


FIG. 8